



US00D892967S

(12) **United States Design Patent**
Pala

(10) **Patent No.:** **US D892,967 S**

(45) **Date of Patent:** **** Aug. 11, 2020**

(54) **SELF-DEFENDER**

(71) Applicant: **Franck Pala**, Miami, FL (US)

(72) Inventor: **Franck Pala**, Miami, FL (US)

(**) Term: **15 Years**

(21) Appl. No.: **29/706,993**

(22) Filed: **Sep. 25, 2019**

Related U.S. Application Data

(63) Continuation-in-part of application No. 16/554,788, filed on Aug. 29, 2019.

(51) **LOC (12) Cl.** **22-02**

(52) **U.S. Cl.**
USPC **D22/117**

(58) **Field of Classification Search**
USPC D22/117, 115; 463/47.4, 47.6, 47.7;
362/102; D21/400, 452, 798; D24/215
CPC A01K 85/18; F41B 15/00; F41B 45/00;
F41H 13/0018

See application file for complete search history.

(56) **References Cited**

U.S. PATENT DOCUMENTS

D277,596 S *	2/1985	Nishiuchi	D21/798
4,842,277 A	6/1989	LaCroix		
5,192,075 A *	3/1993	Ashihara	F41B 15/025 463/47.4
5,295,687 A	3/1994	Bedard		
D352,339 S *	11/1994	McGowan	D22/117
5,363,285 A	11/1994	Wideman		

6,791,816 B2	9/2004	Stethem		
7,029,397 B1	4/2006	Barwick		
D520,593 S *	5/2006	Anderson	D22/117
D658,264 S *	4/2012	Richter	D22/117
D753,261 S *	4/2016	Griffin	D22/117
D756,482 S *	5/2016	Griffin	D22/117
D777,290 S *	1/2017	Wolfe	D22/117
D811,515 S *	2/2018	Parise	D22/117
2012/0122593 A1 *	5/2012	Gross	F41B 15/00 463/47.4
2016/0069650 A1 *	3/2016	Flynn	F41H 9/10 463/47.4

* cited by examiner

Primary Examiner — Catherine R Oliver-Garcia
(74) *Attorney, Agent, or Firm* — Boudwin Intellectual Property; Daniel Boudwin

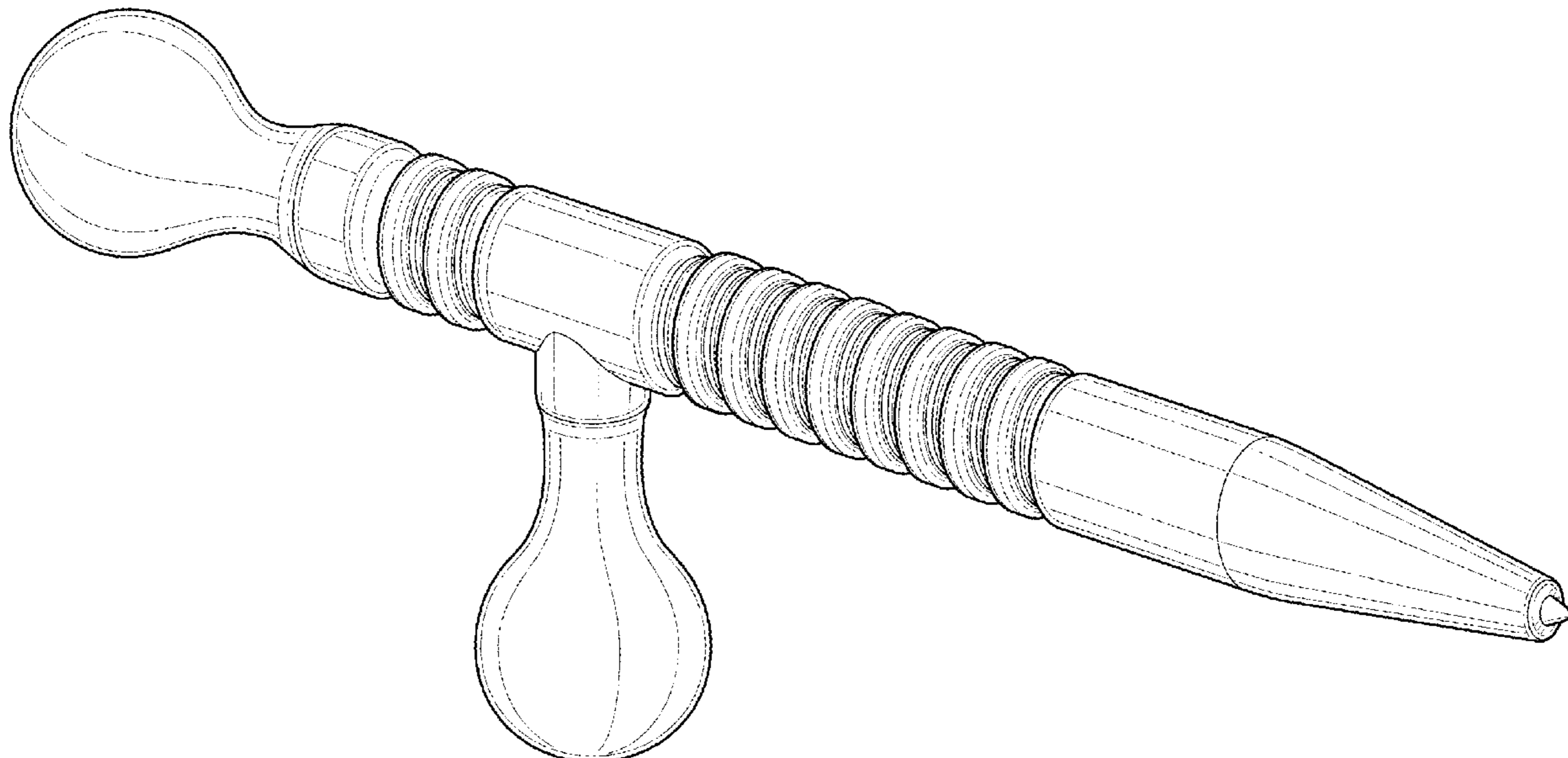
(57) **CLAIM**

The ornamental design for a self-defender, as shown and described.

DESCRIPTION

FIG. 1 shows a perspective view of a self-defender. FIG. 2 shows a left side view of the self-defender. FIG. 3 shows a right side view of the self-defender. FIG. 4 shows a top plan view of the self-defender. FIG. 5 shows a bottom plan view of the self-defender. FIG. 6 shows a front view of the self-defender; and, FIG. 7 shows a rear of the self-defender. The shade lines in the Figures show contour and not surface ornamentation.

1 Claim, 5 Drawing Sheets



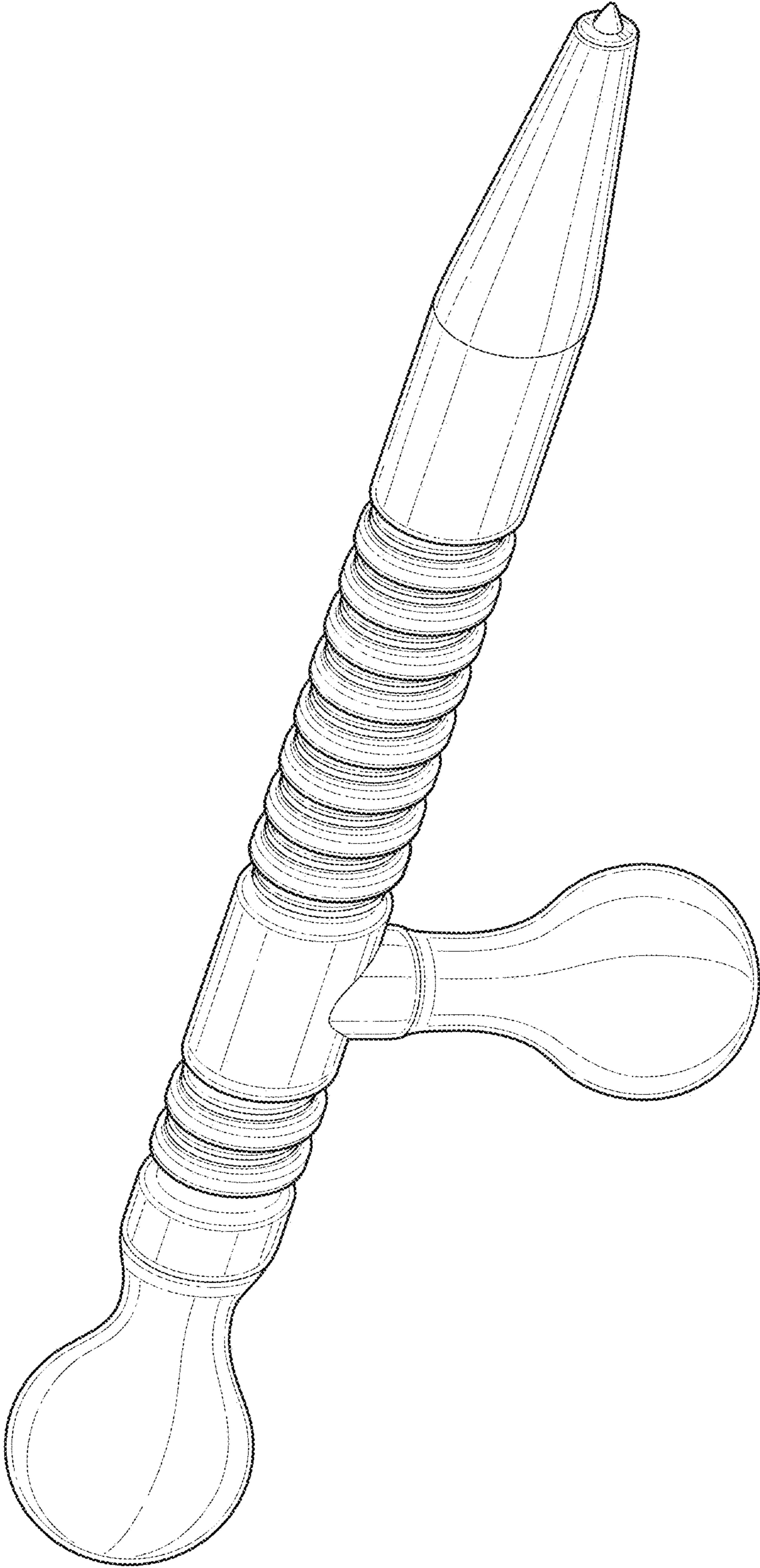


FIG. 1

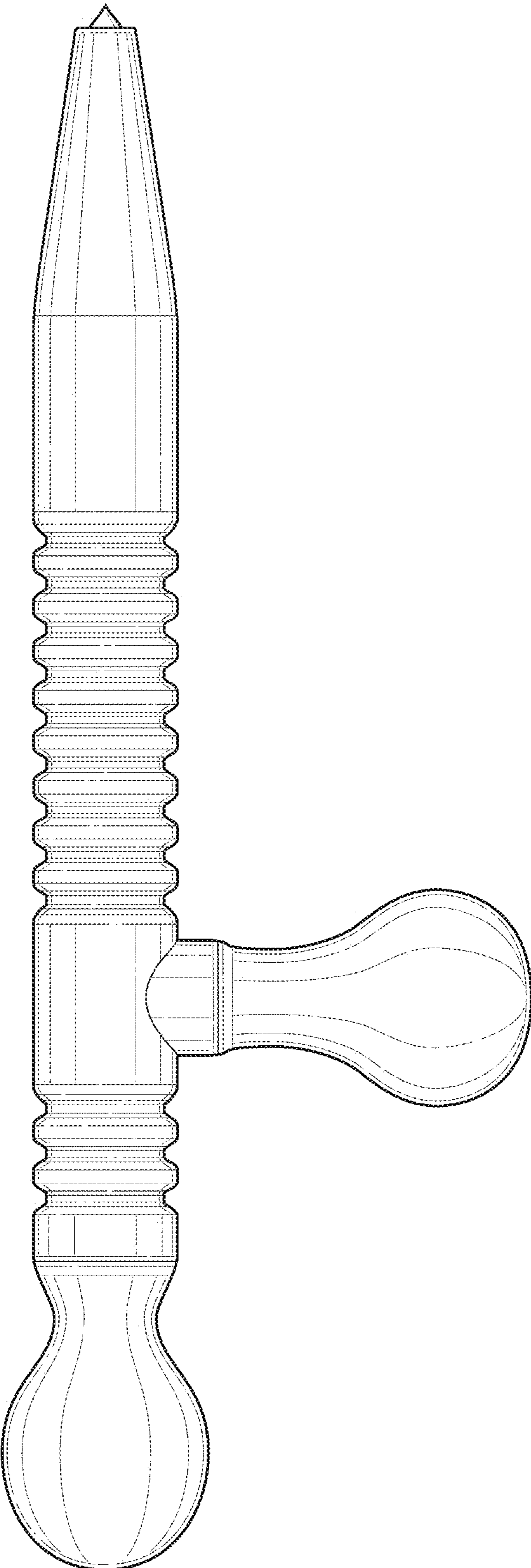


FIG. 2

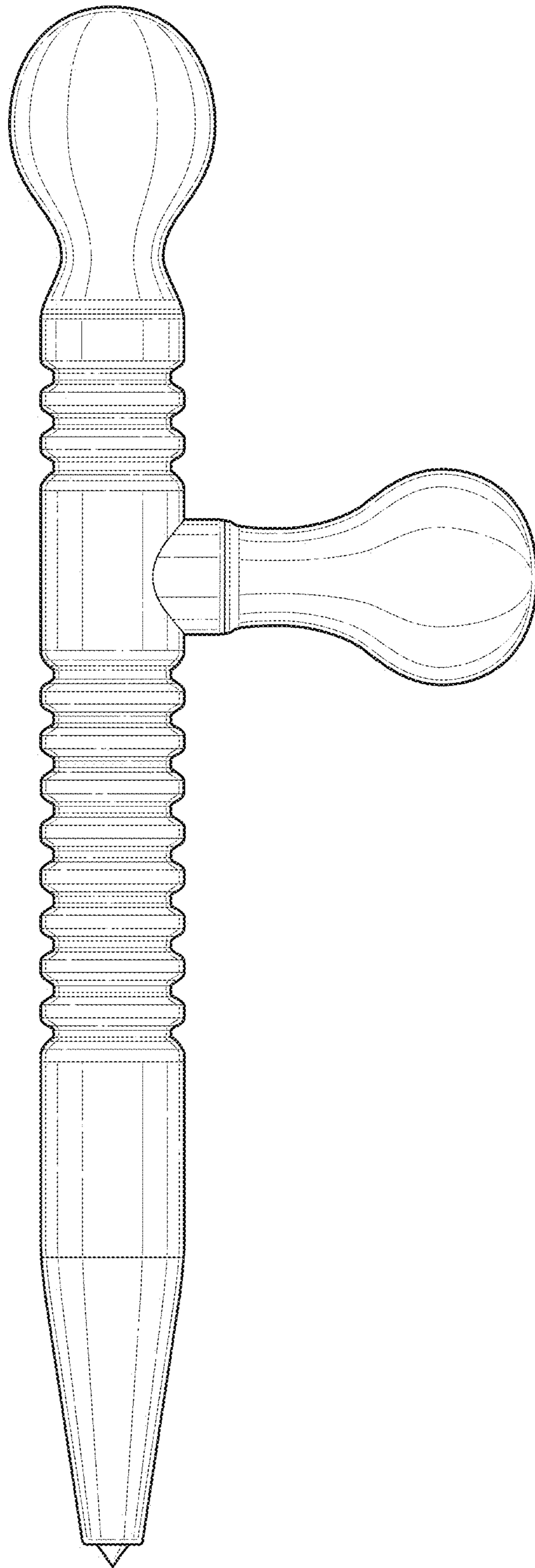


FIG. 3

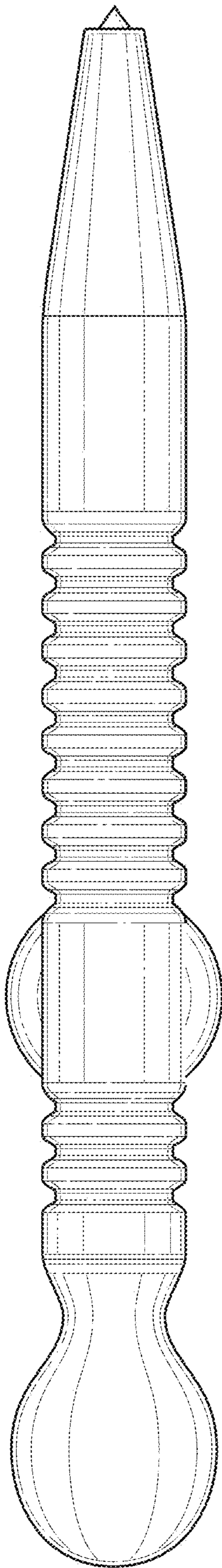


FIG. 4

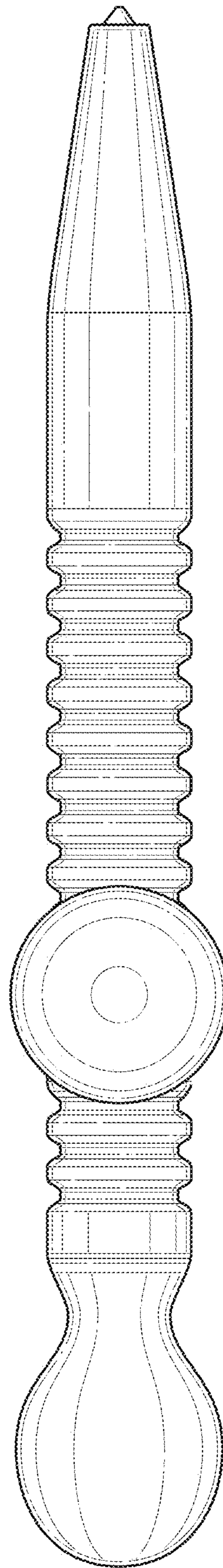


FIG. 5

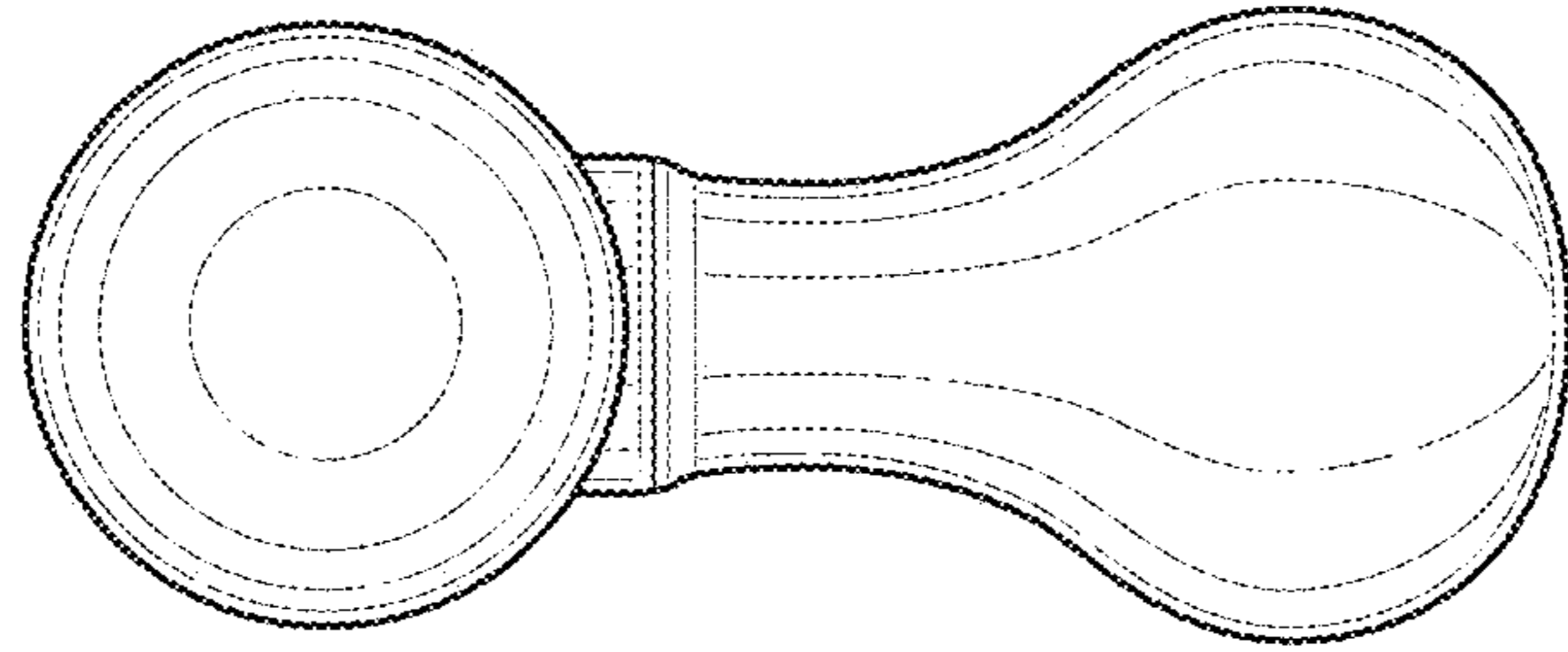


FIG. 7

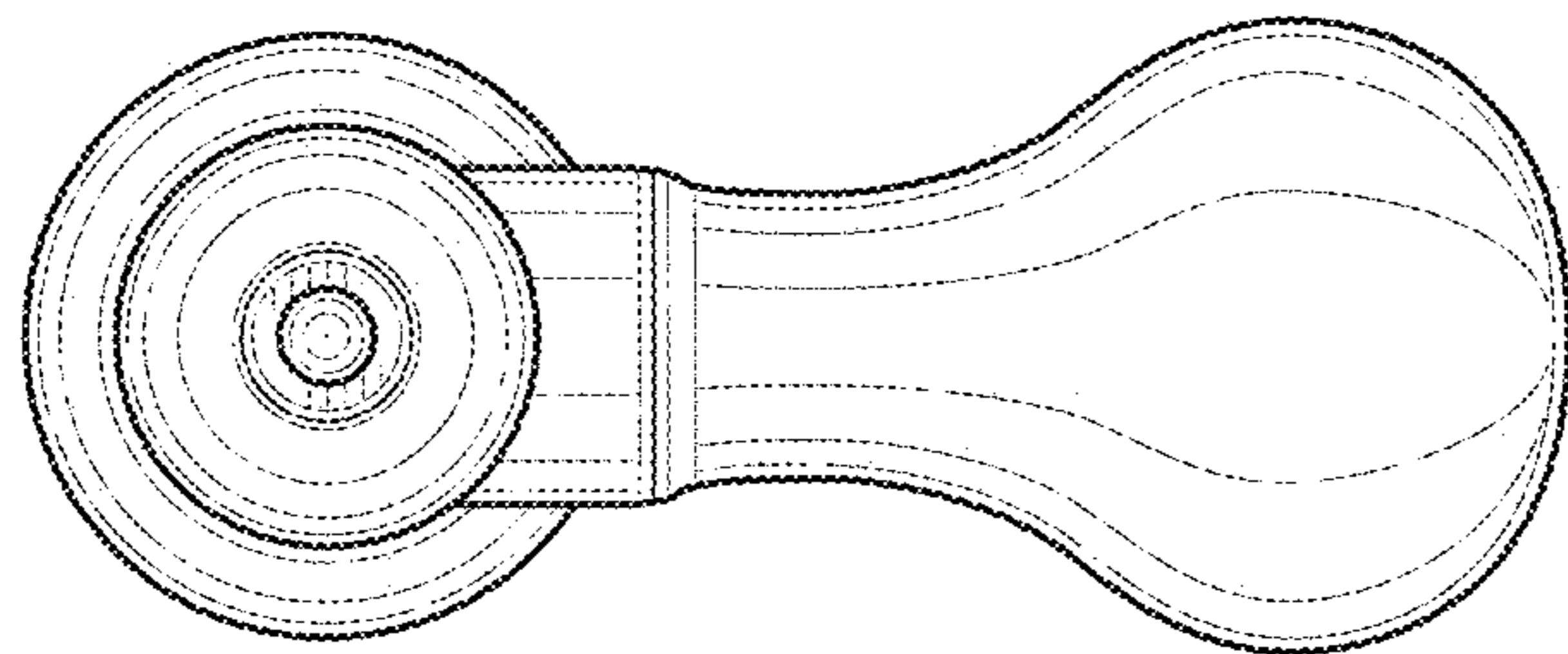


FIG. 6