



US00D892965S

(12) **United States Design Patent**
Davis

(10) **Patent No.:** **US D892,965 S**

(45) **Date of Patent:** **** Aug. 11, 2020**

(54) **FIREARM BARRICADE SHOOTING AND TRAINING AID**

(71) Applicant: **Austin Davis**, Houston, TX (US)

(72) Inventor: **Austin Davis**, Houston, TX (US)

(**) Term: **15 Years**

(21) Appl. No.: **29/679,186**

(22) Filed: **Feb. 2, 2019**

(51) **LOC (12) Cl.** **22-04**

(52) **U.S. Cl.**
USPC **D22/113; D21/302**

(58) **Field of Classification Search**

USPC D22/100, 103, 108, 109, 113, 115, 116,
D22/199; D21/302, 567, 573
CPC F41C 7/00; F41C 23/16; F41G 1/02; F41G
1/027; F41G 1/14; F41J 1/10; F42B 6/10;
F42B 7/00; F42B 7/02; F41A 17/38
See application file for complete search history.

(56) **References Cited**

U.S. PATENT DOCUMENTS

2,823,744	A	2/1958	Garris	
3,908,992	A *	9/1975	Cunningham A63B 63/008 473/477
3,913,598	A	10/1975	Glutting	
4,241,777	A	12/1980	Wenger	
5,069,011	A	12/1991	Jenne	
D333,683	S *	3/1993	Trachet D21/302
D346,081	S *	4/1994	Turner D6/681.1
5,549,208	A *	8/1996	Yurga A47F 5/0884 211/207
5,599,187	A	2/1997	Mesiano	
D393,380	S *	4/1998	White D21/302
5,954,337	A *	9/1999	Cunningham A63B 67/06 273/338
D478,938	S *	8/2003	Vande Hey D21/302
D478,939	S *	8/2003	McReynolds D21/302

(Continued)

OTHER PUBLICATIONS

“Shooter’s Corner: Barricades” [online]. Fort Benning. [Published Mar. 16, 2016]. Retrieved from the Internet: <<https://www.youtube.com/watch?v=BdY1UaSMXol>>.*

Primary Examiner — Khawaja Anwar

Assistant Examiner — Mojtaba Tehrani

(74) *Attorney, Agent, or Firm* — Quickpatents, LLC;
Kevin Prince

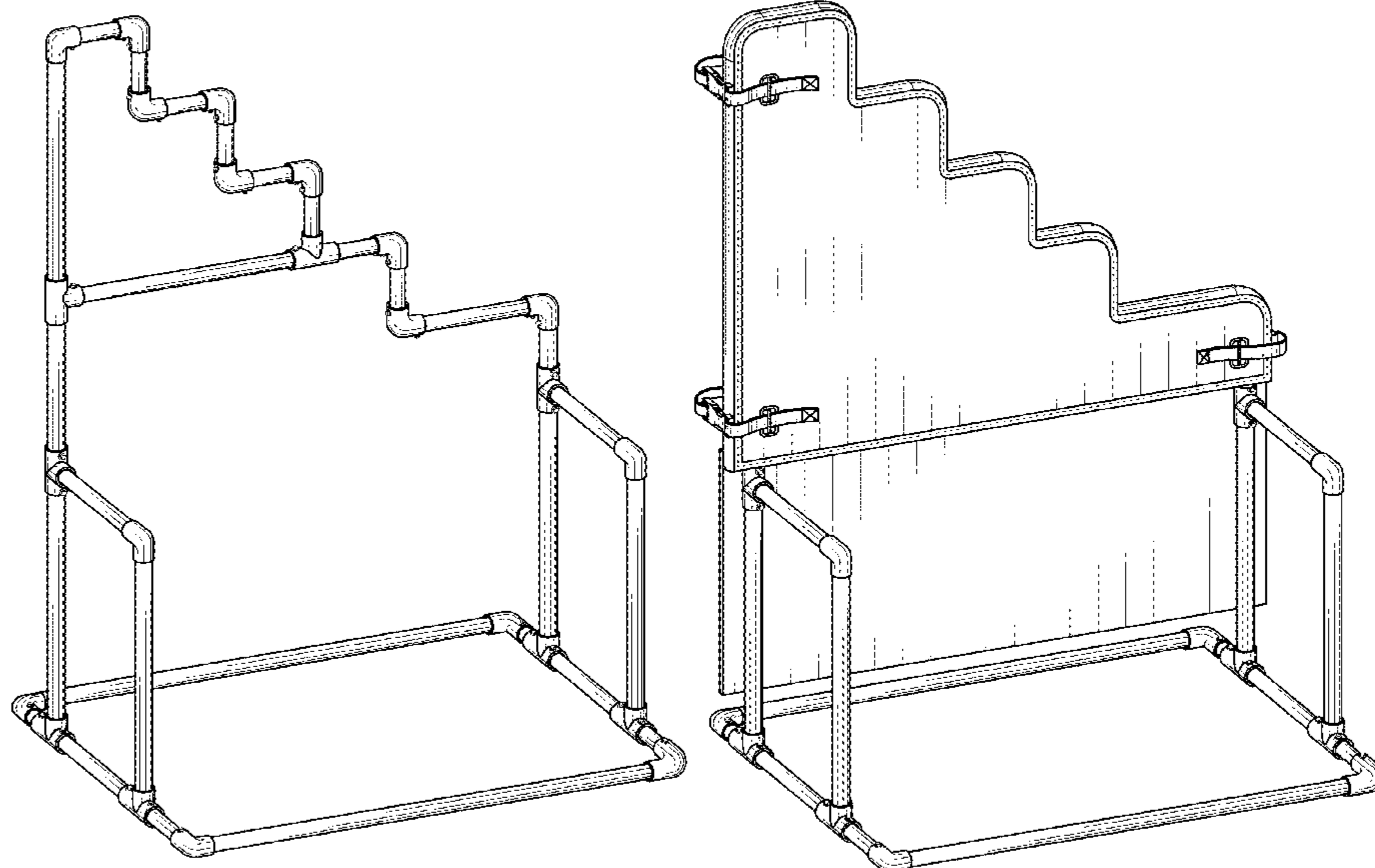
(57) **CLAIM**

The ornamental design for a firearm barricade shooting and training aid, as shown and described.

DESCRIPTION

FIG. 1 is a perspective view of a firearm barricade shooting and training aid, showing my new design with covers omitted from a frame for clarity of illustration;
FIG. 2 is a front elevational view of FIG. 1;
FIG. 3 is a rear elevational view of FIG. 1;
FIG. 4 is a left-side elevational view of FIG. 1;
FIG. 5 is a right-side elevational view of FIG. 1;
FIG. 6 is a top plan view of FIG. 1;
FIG. 7 is a bottom plan view of FIG. 1;
FIG. 8 is a perspective view thereof, illustrated with the covers attached to the frame;
FIG. 9 is a front elevational view of FIG. 8;
FIG. 10 is a rear elevational view of FIG. 8;
FIG. 11 is a left-side elevational view of FIG. 8;
FIG. 12 is a right-side elevational view of FIG. 8;
FIG. 13 is a top plan view of FIG. 8; and,
FIG. 14 is a bottom plan view of FIG. 8.
The evenly broken lines in the drawings depict stitching which form part of the claimed design; the dash-dot broken lines in FIG. 10 depict the boundary of the claim only and form no part of the claimed design.

1 Claim, 12 Drawing Sheets



(56)

References Cited

U.S. PATENT DOCUMENTS

7,328,902 B1 *	2/2008	White	A63B 63/00	273/343	2003/0098545 A1 *	5/2003	Webb	A63B 63/00	273/343
D570,417 S *	6/2008	Poe	D21/302		2005/0082761 A1 *	4/2005	Lynch	A63B 63/00	273/343
D576,685 S *	9/2008	Queally	D21/302		2005/0269784 A1 *	12/2005	Peters	A63B 67/00	273/343
D578,166 S *	10/2008	Wiroll	D21/302		2007/0193612 A1	8/2007	Slaughter			
D591,358 S *	4/2009	Moore	D21/302		2008/0048397 A1 *	2/2008	Mancini	A63B 67/06	273/343
D626,181 S *	10/2010	Lima	D21/302		2009/0278317 A1 *	11/2009	Lima	A63B 65/00	273/343
D635,196 S *	3/2011	Voden	D21/302		2011/0037226 A1 *	2/2011	Nickles	A63B 43/06	273/343
8,128,093 B1 *	3/2012	Gerrish	A63B 67/06	273/343	2016/0023095 A1 *	1/2016	Nally	A63B 7/06	273/343
D671,598 S *	11/2012	Makaruk	D21/302		2017/0021254 A1 *	1/2017	Wolf	A63B 67/06	
8,365,798 B2	2/2013	Feldpausch				2018/0104558 A1 *	4/2018	Sweeney	A63B 71/023	
D708,697 S *	7/2014	Achten	D22/199							
D738,431 S *	9/2015	Fiske	D21/302							
D747,774 S *	1/2016	Erickson	D21/302							
D748,198 S *	1/2016	Nally	D21/302							
D805,216 S *	12/2017	Davis	D25/58							
D863,445 S *	10/2019	Wolf	D21/304							
D867,457 S *	11/2019	Sweeney	D21/303							

* cited by examiner

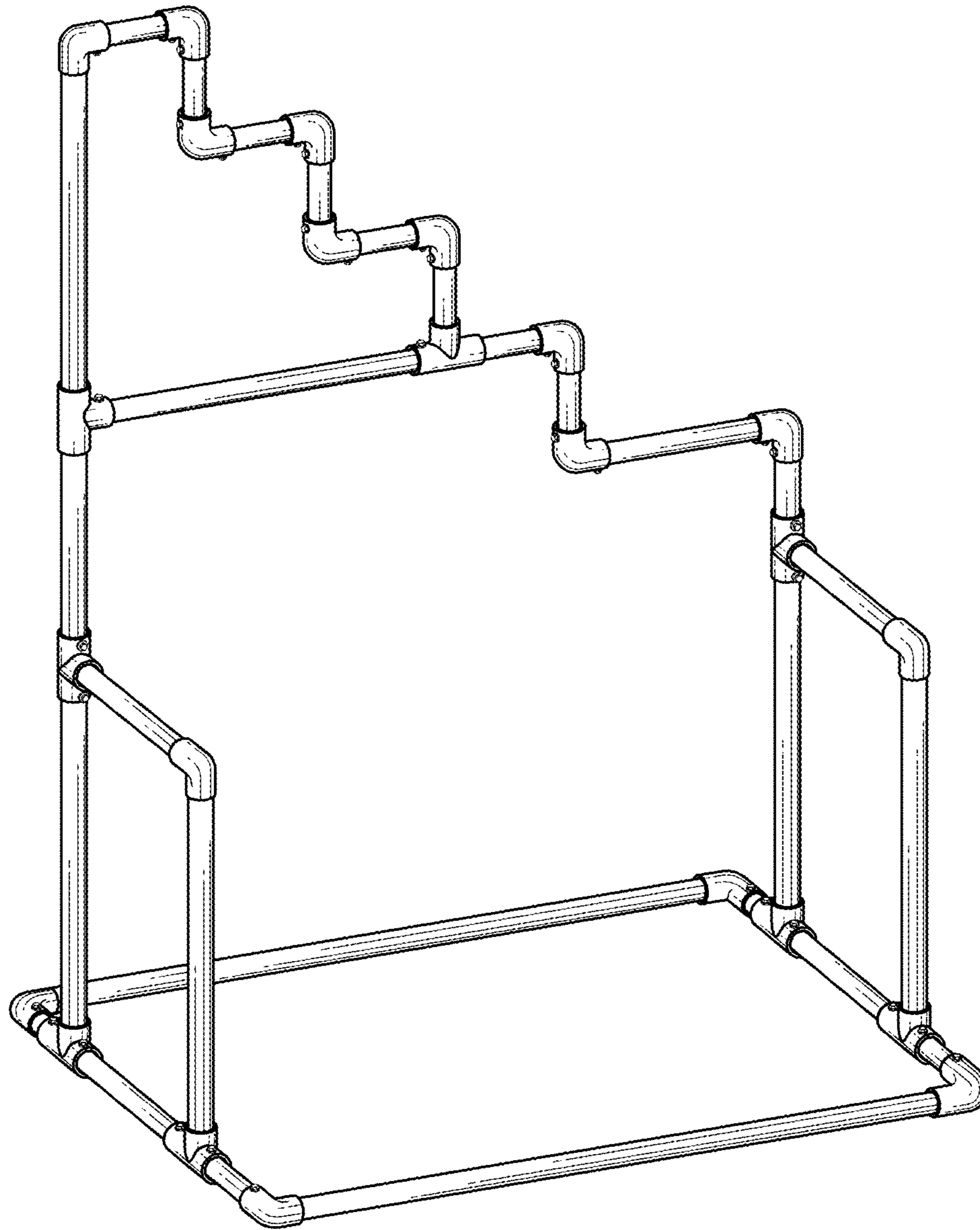


FIG. 1

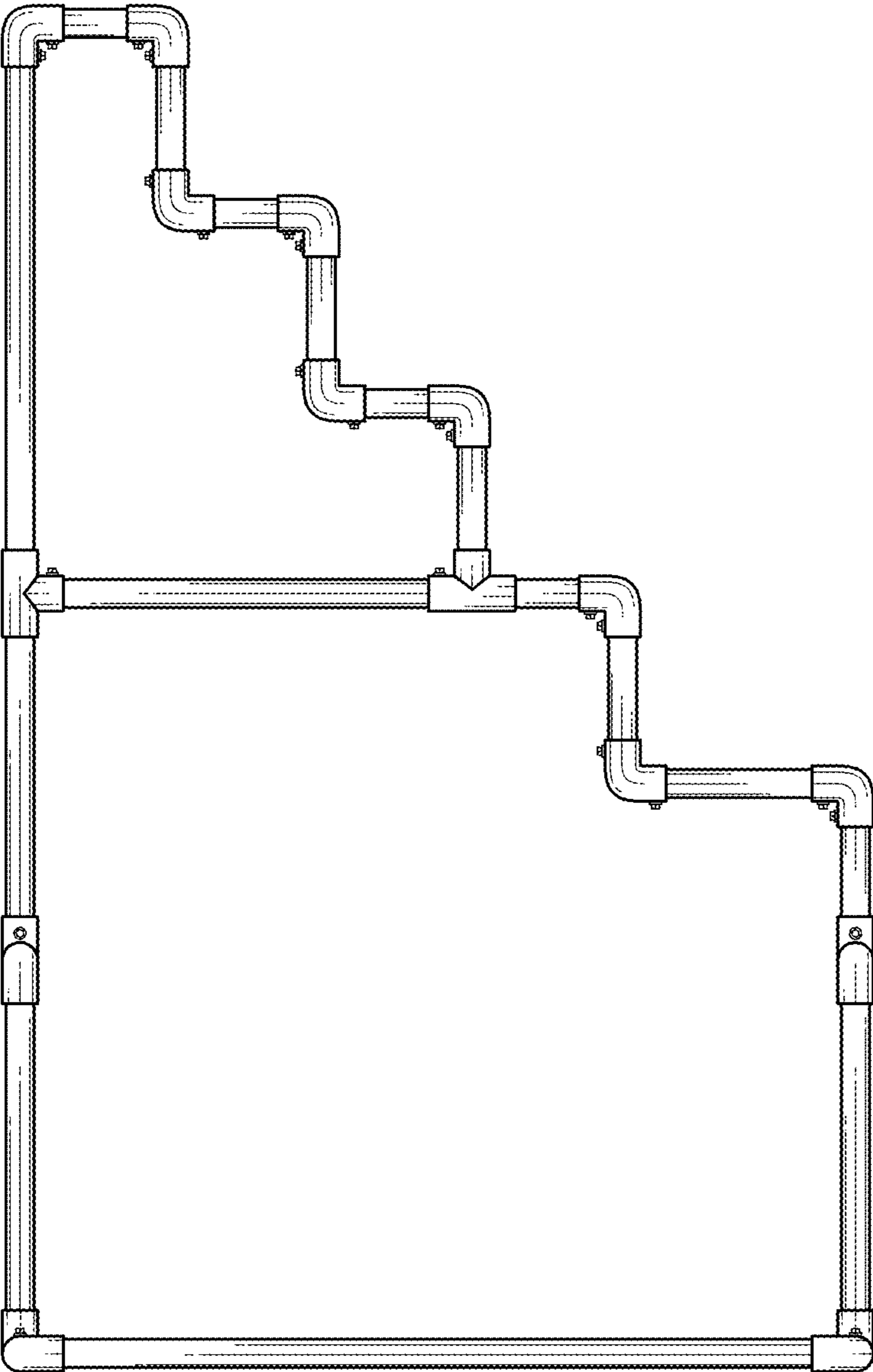


FIG. 2

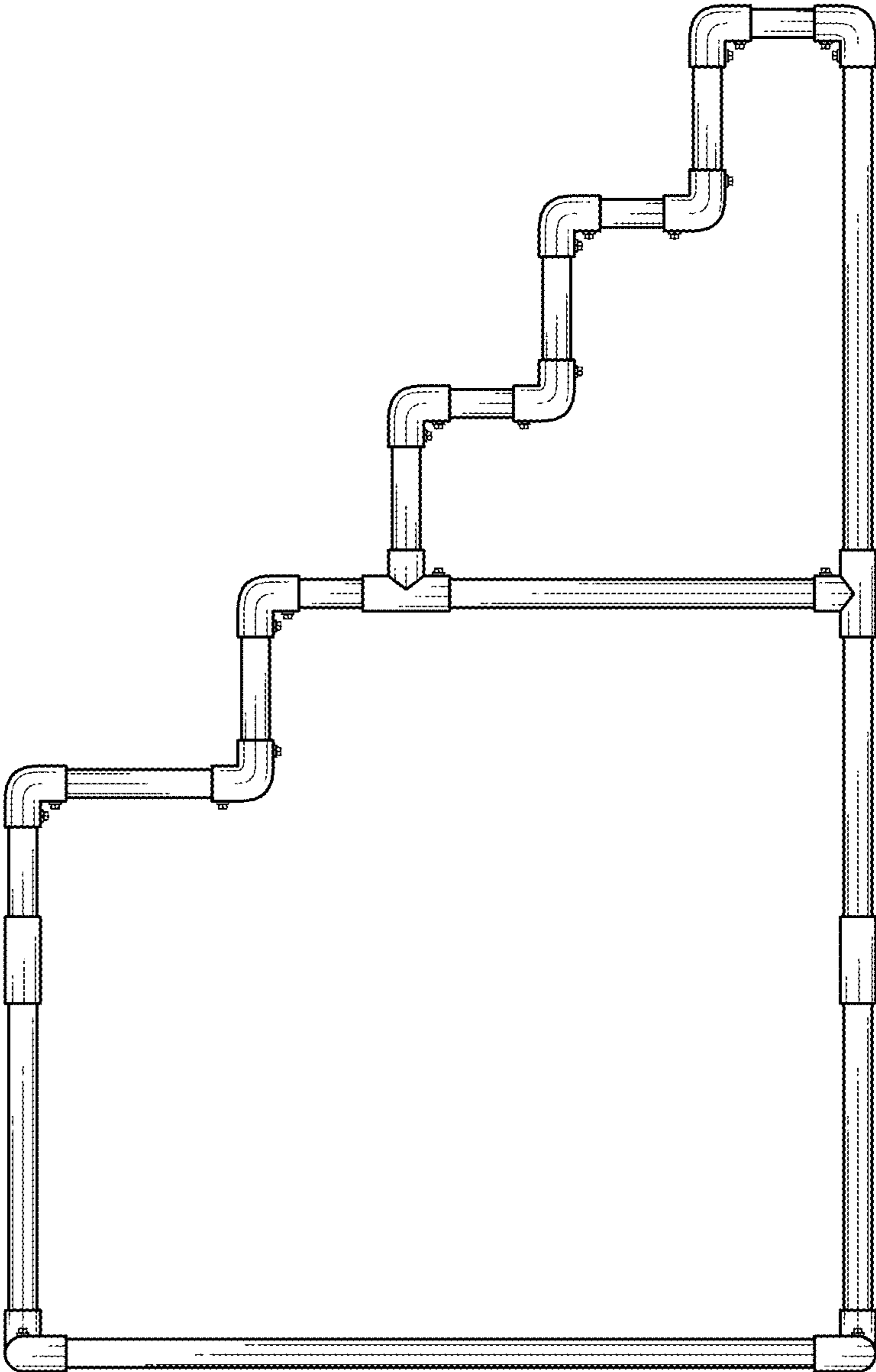


FIG. 3

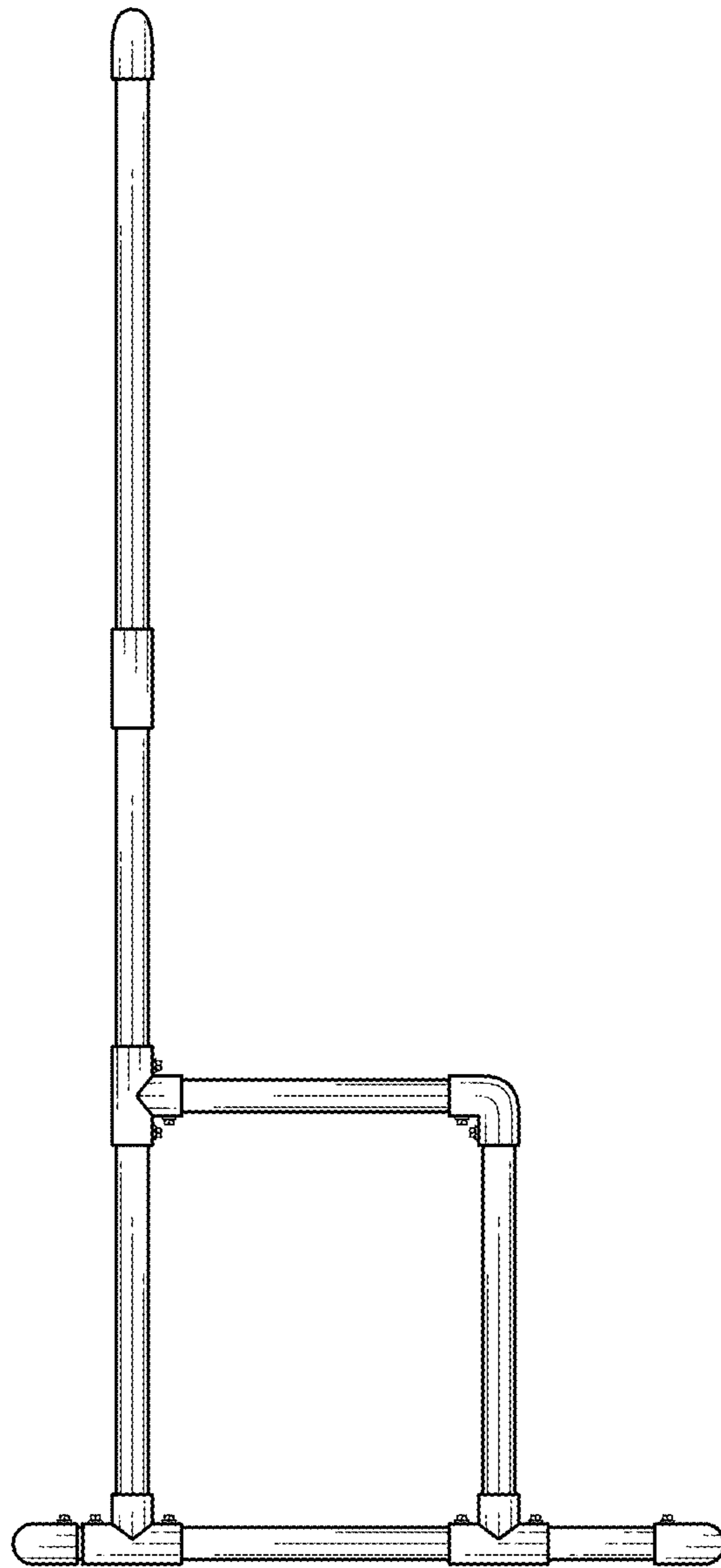


FIG. 4

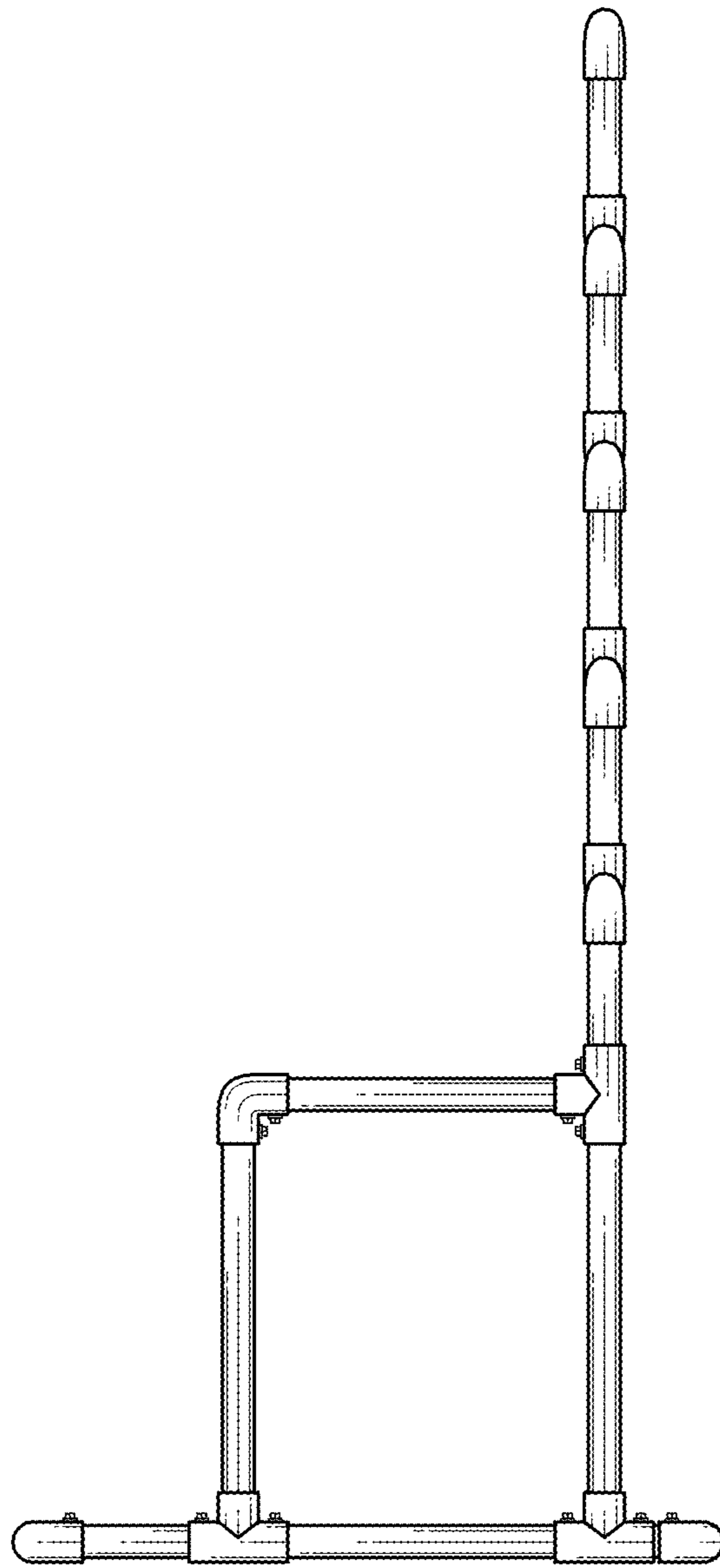


FIG. 5

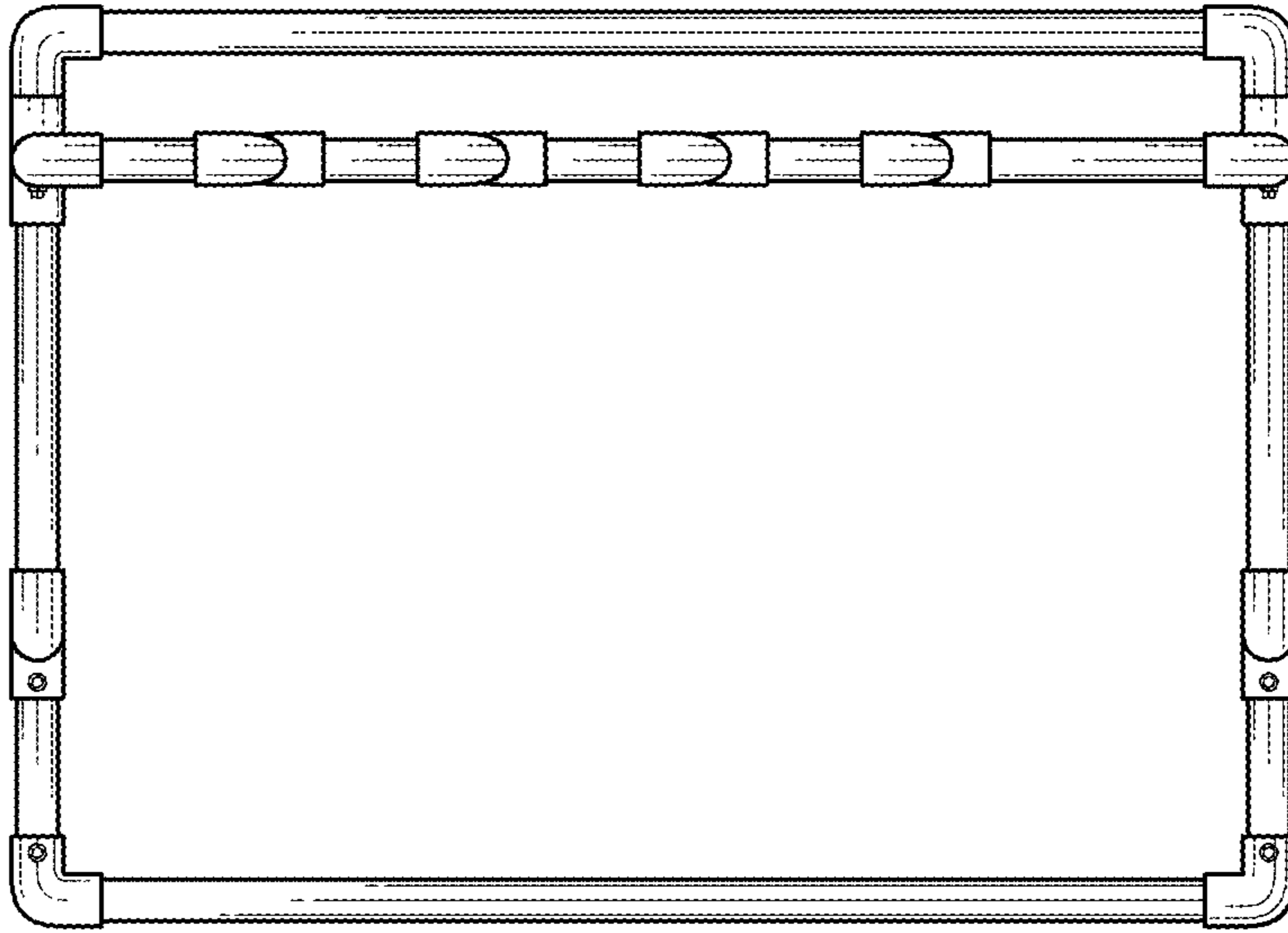


FIG. 6

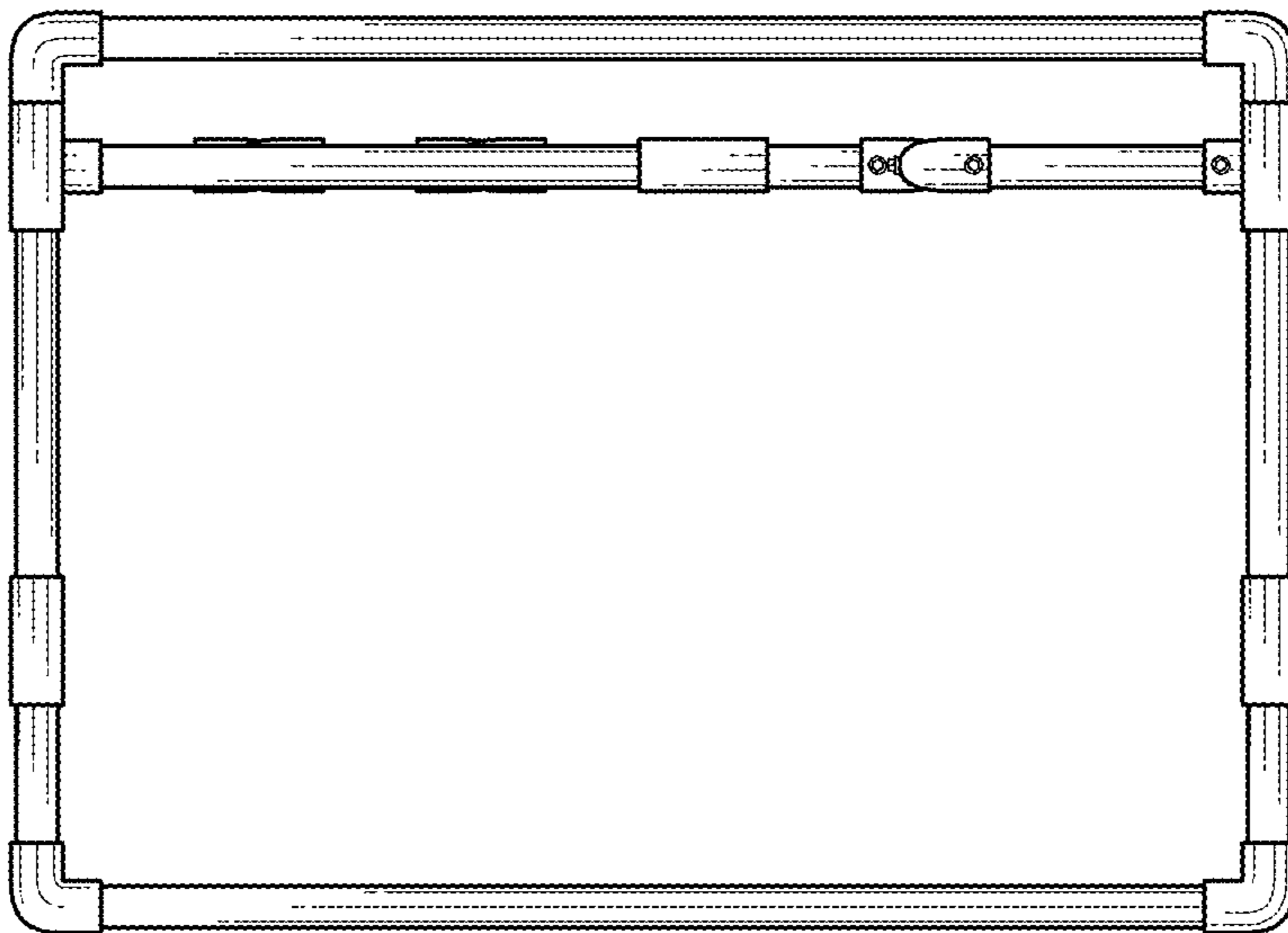


FIG. 7

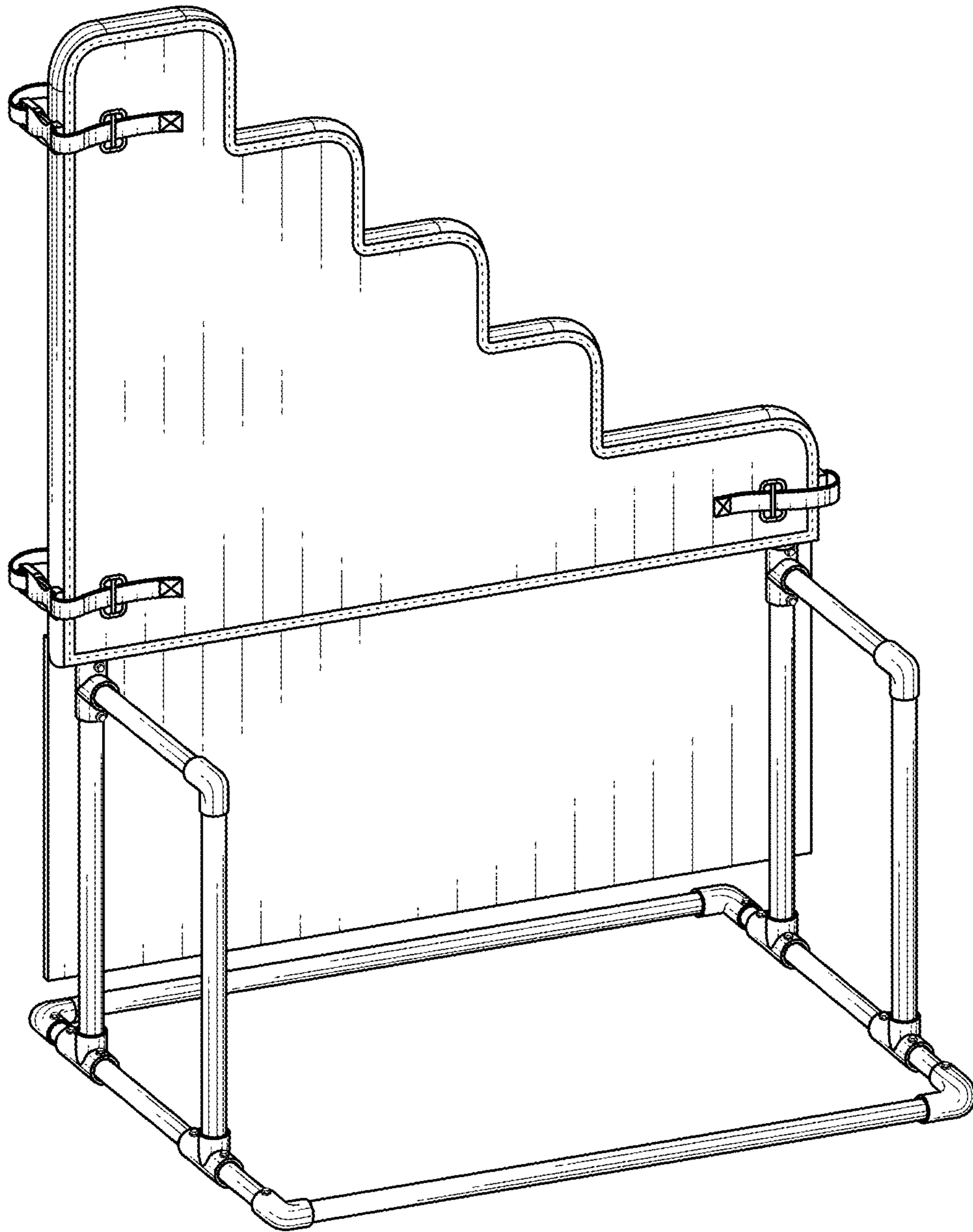


FIG. 8

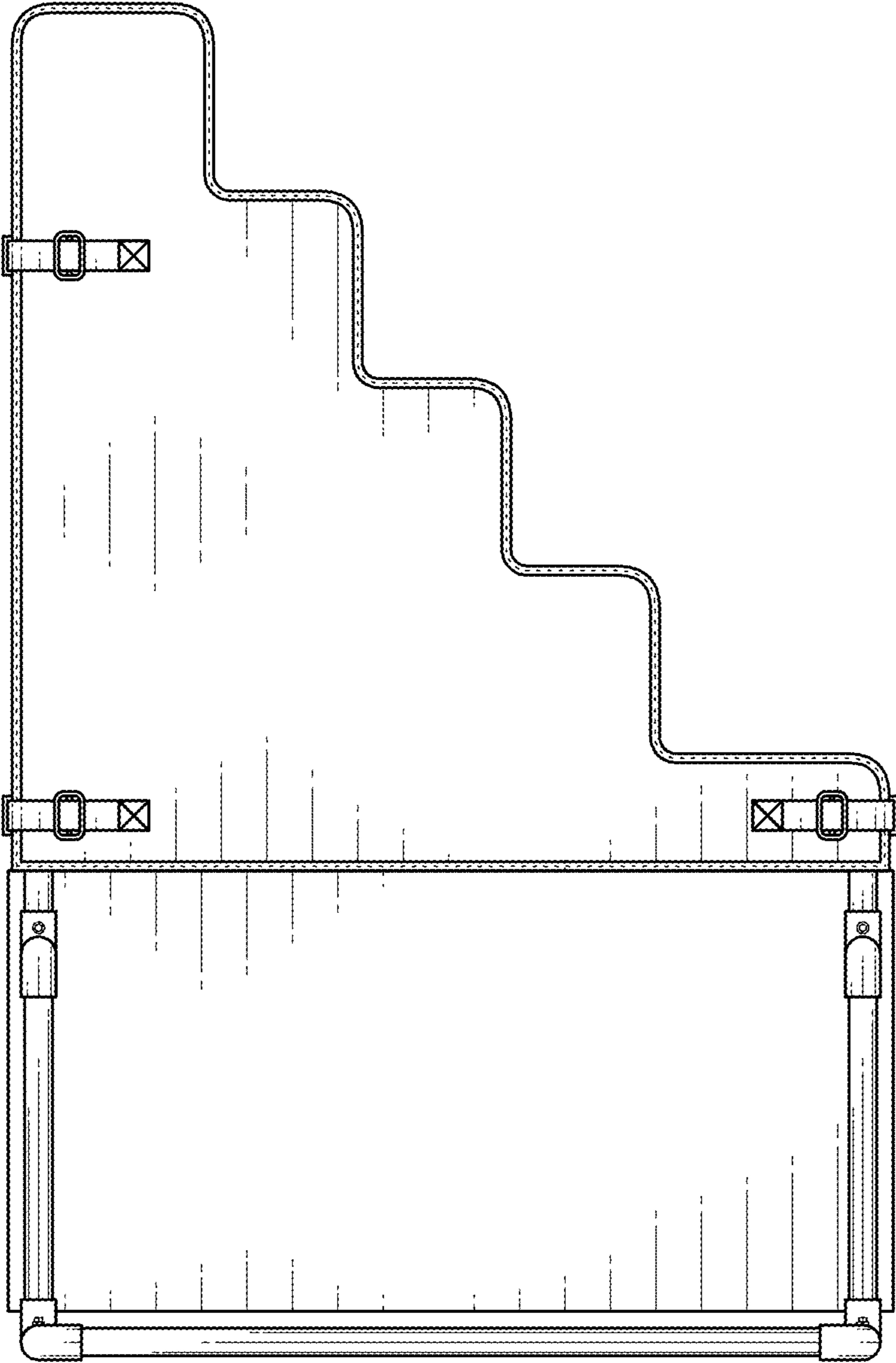


FIG. 9

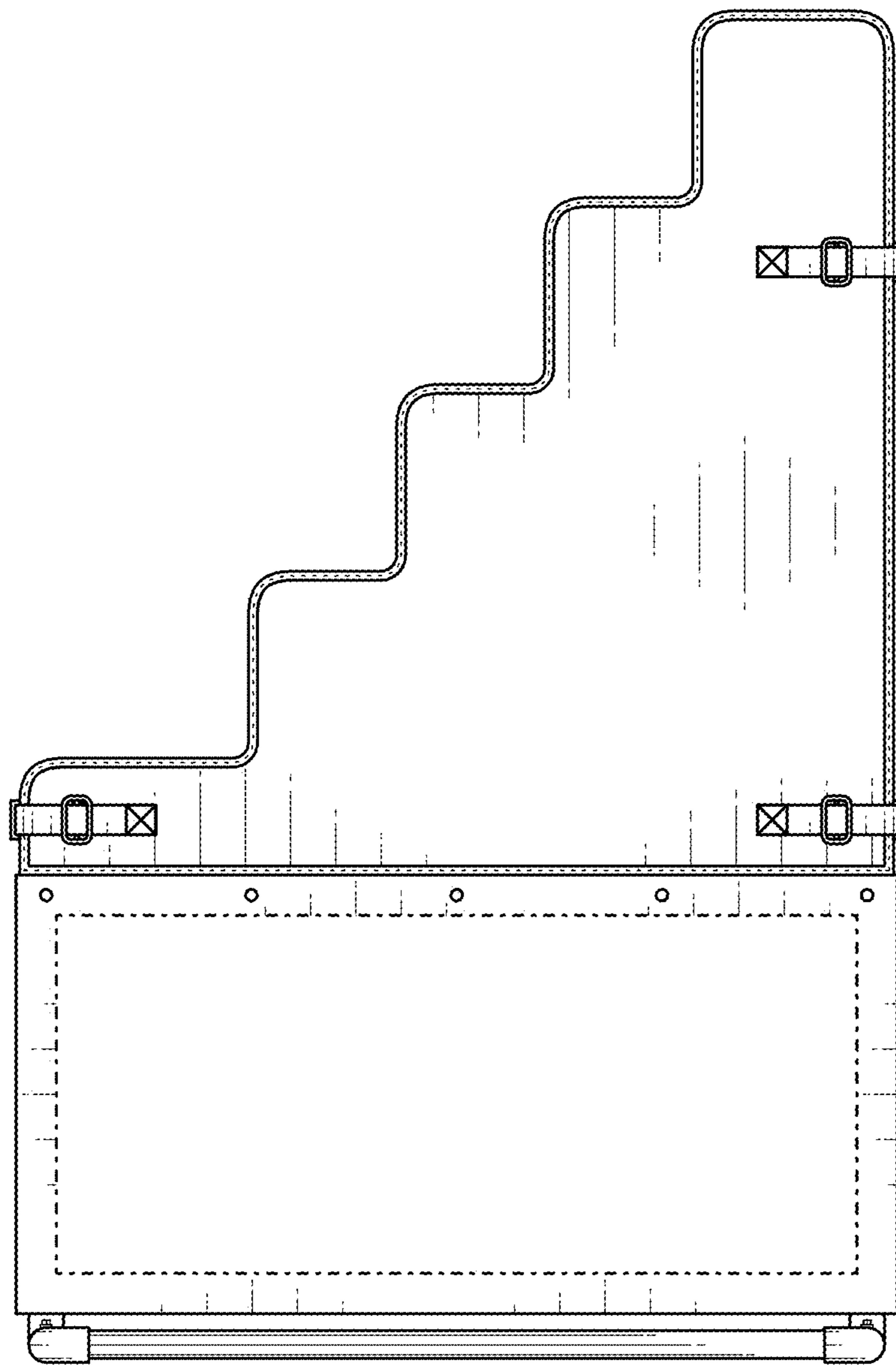


FIG. 10

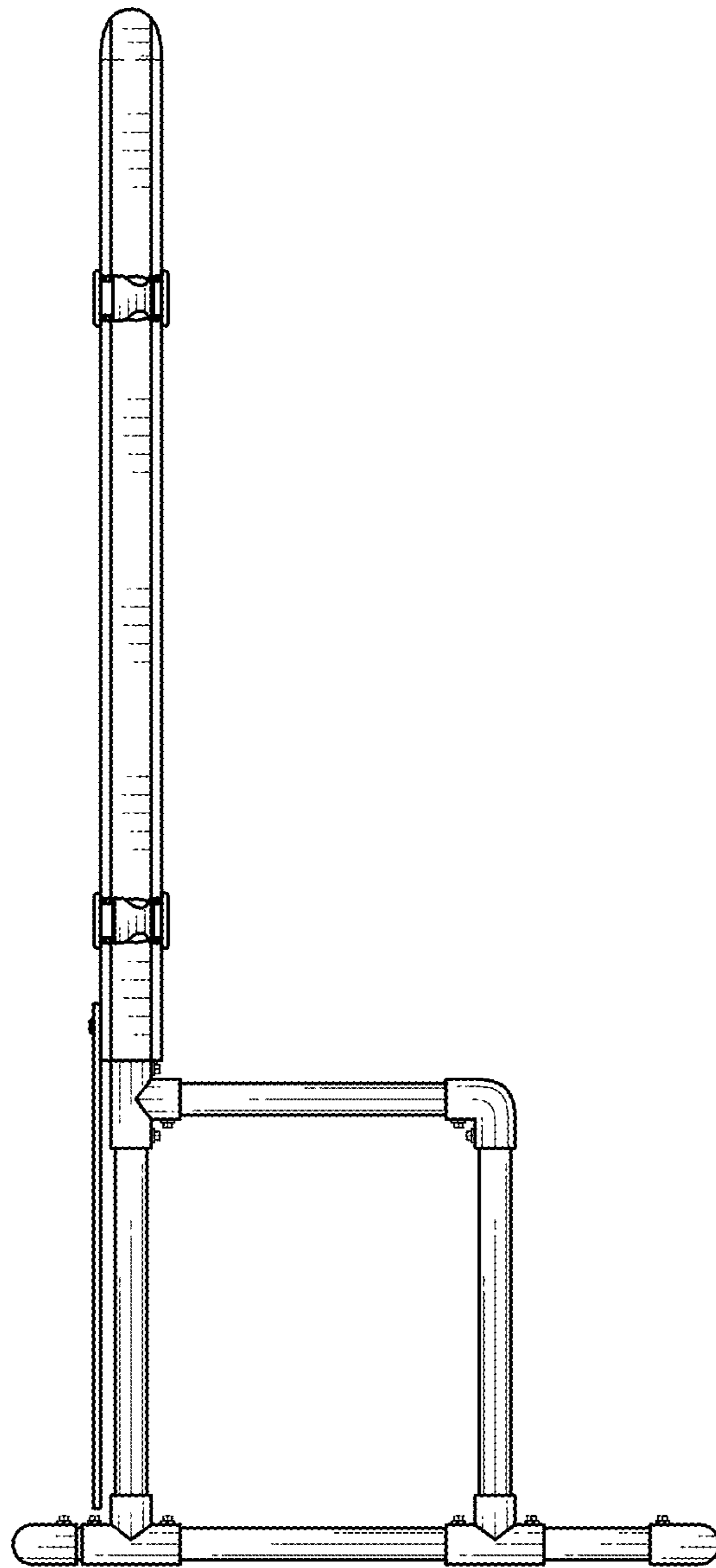


FIG. 11

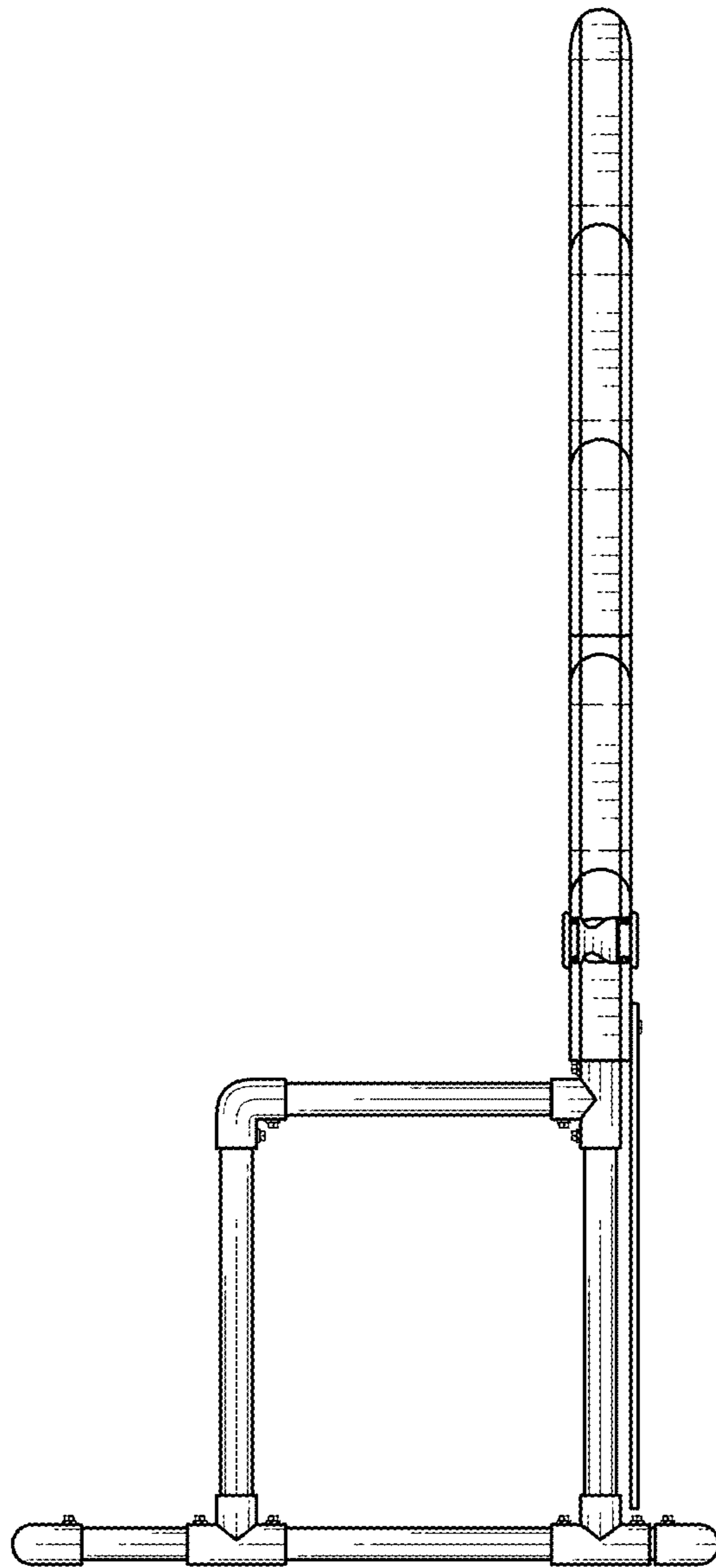


FIG. 12

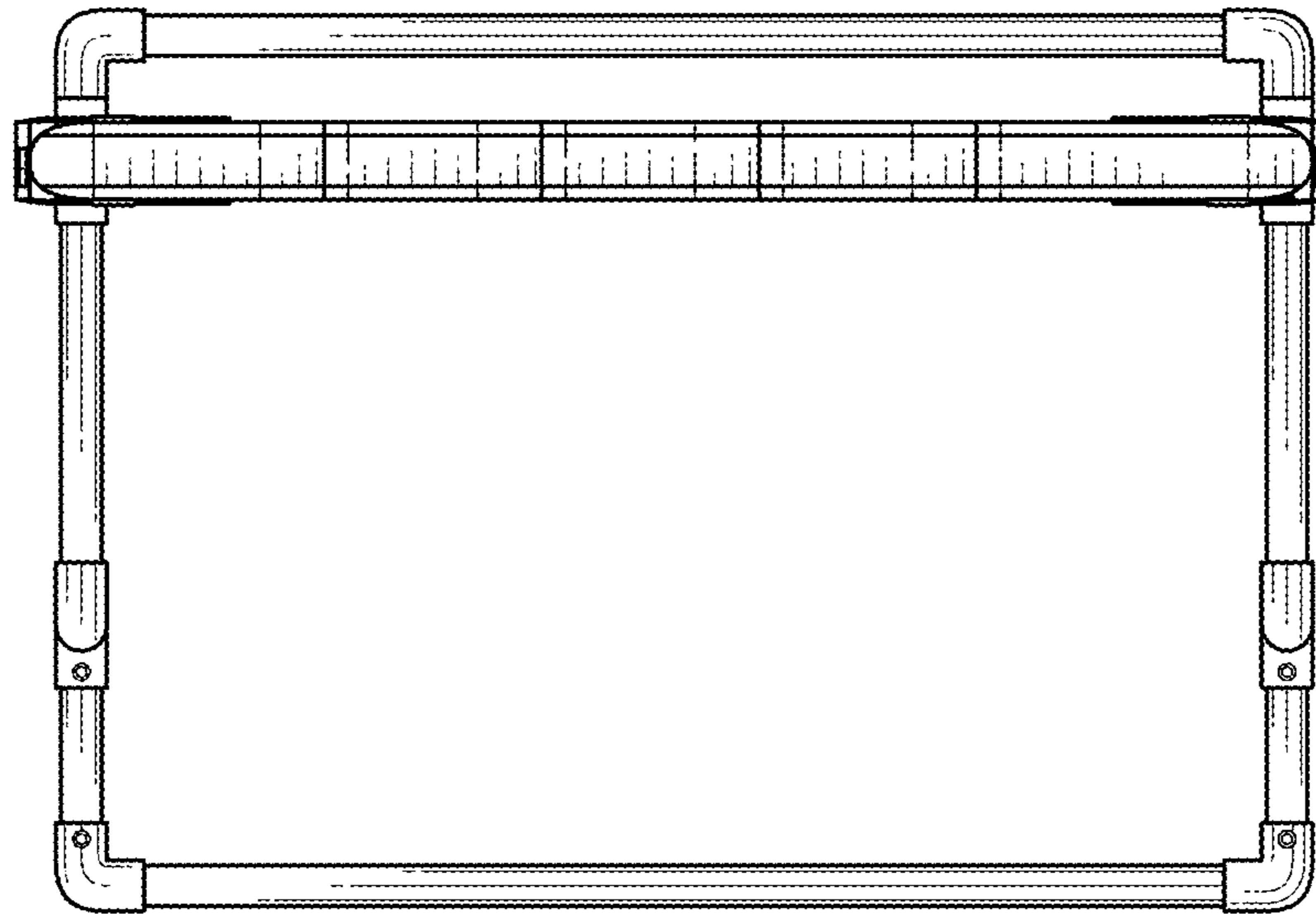


FIG. 13

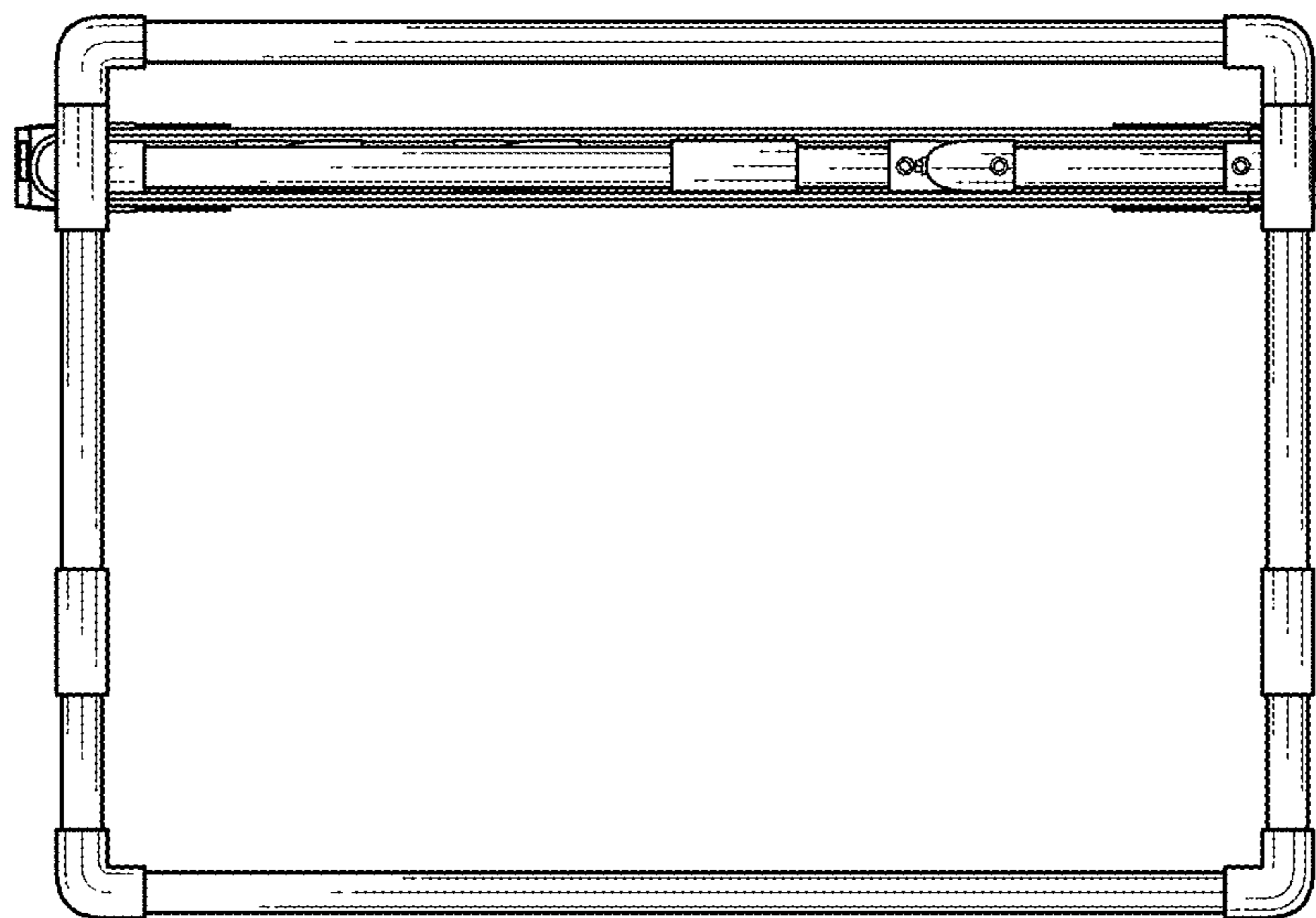


FIG. 14