



US00D892964S

(12) **United States Design Patent** (10) **Patent No.:** **US D892,964 S**
Williams (45) **Date of Patent:** **** Aug. 11, 2020**

- (54) **CARRY HANDLE FOR A FIREARM**
- (71) Applicant: **KEL-TEC CNC INDUSTRIES INCORPORATED**, Cocoa, FL (US)
- (72) Inventor: **Ryan Williams**, Cocoa, FL (US)
- (73) Assignee: **KEL-TEC CNC INDUSTRIES INCORPORATED**, Cocoa, FL (US)
- (**) Term: **15 Years**
- (21) Appl. No.: **29/688,915**
- (22) Filed: **Apr. 25, 2019**
- (51) **LOC (12) Cl.** **22-01**
- (52) **U.S. Cl.**
USPC **D22/108**
- (58) **Field of Classification Search**
USPC D22/108
CPC F41C 23/16; F41C 33/08
See application file for complete search history.

(56) **References Cited**

U.S. PATENT DOCUMENTS

- 8,333,137 B2 * 12/2012 Sirochman F41A 3/72
89/1.4
- 2010/0236389 A1 * 9/2010 Larson F41G 1/08
89/1.42
- 2013/0276344 A1 * 10/2013 Picciotta F41C 23/16
42/94

- 2013/0333263 A1 * 12/2013 Hovey F41C 23/16
42/72
- 2017/0205162 A1 * 7/2017 Beaty F41A 3/66
- 2018/0202732 A1 * 7/2018 Gibbens F41A 3/66
- 2019/0195595 A1 * 6/2019 Kielsmeier F41A 3/66

* cited by examiner

Primary Examiner — Michael A. Pratt

(74) *Attorney, Agent, or Firm* — Bennet K. Langlotz;
Langlotz Patent & Trademark Works, LLC

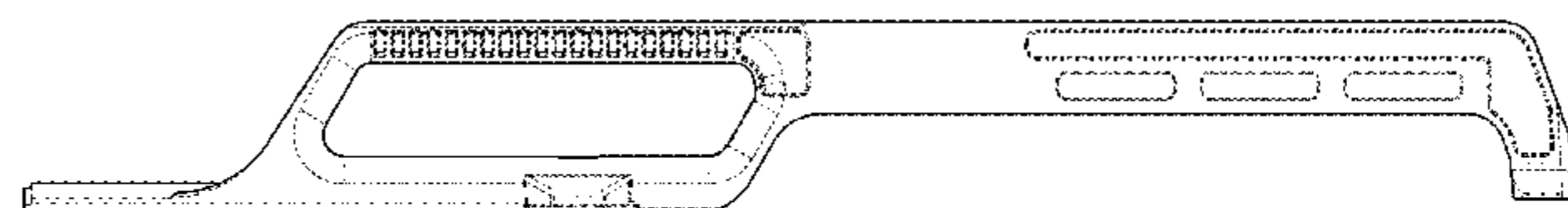
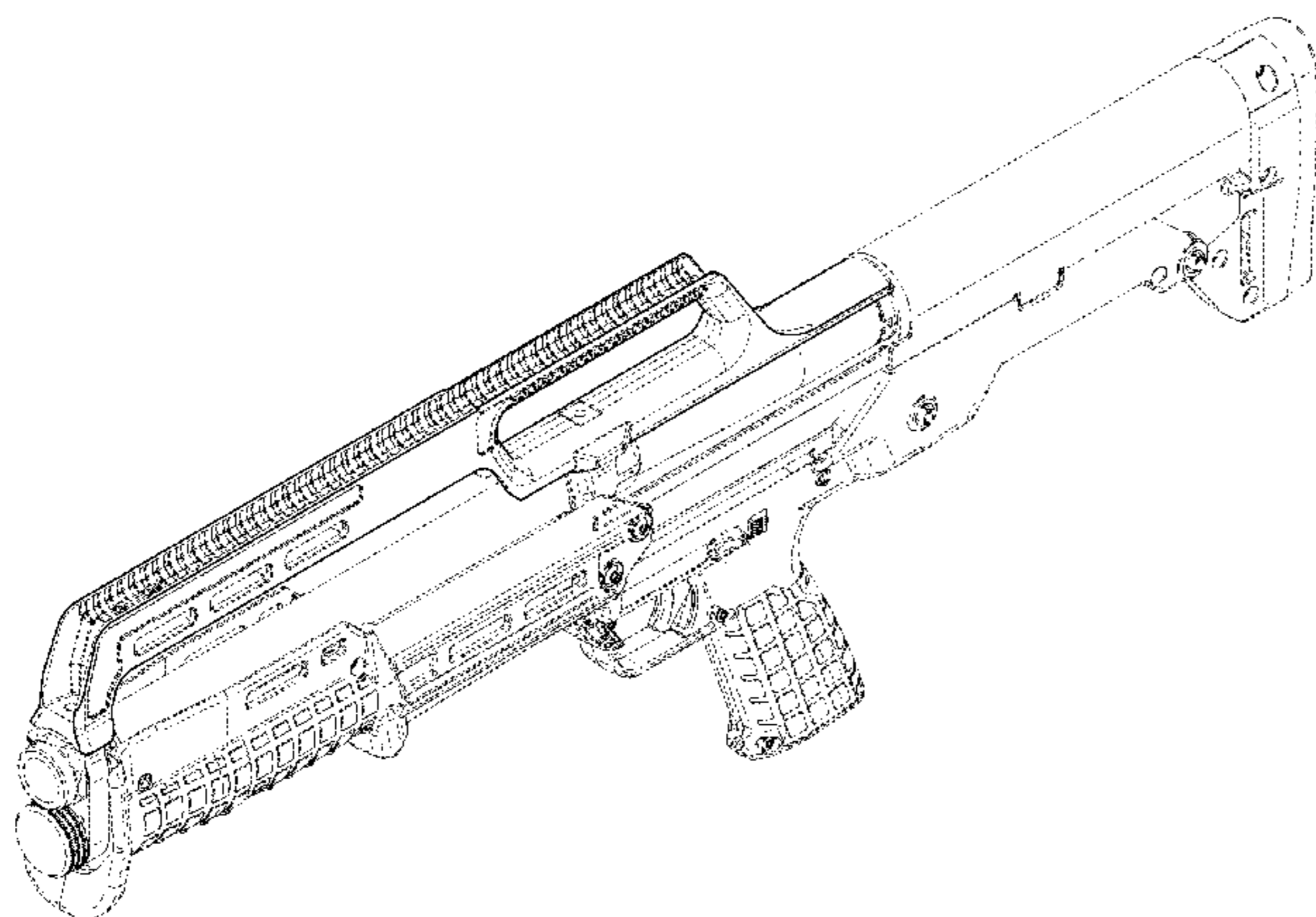
(57) **CLAIM**

The ornamental design for a carry handle for a firearm, as shown and described.

DESCRIPTION

FIG. 1 is an upper left side perspective view of a carry handle for a firearm looking rearward of the carry handle on a weapon shown dashed showing my (our) new design;
 FIG. 2 is an upper left side perspective view thereof looking rearward of the handle alone;
 FIG. 3 is a top view thereof;
 FIG. 4 is an elevation view thereof of the left side of the carry handle;
 FIG. 5 is a bottom view thereof;
 FIG. 6 is an elevation view thereof of the right side of the carry handle;
 FIG. 7 is a rear view thereof; and,
 FIG. 8 is a front view thereof.
 The broken lines in the drawings depict portions of the article that form no part of the claimed design.

1 Claim, 4 Drawing Sheets



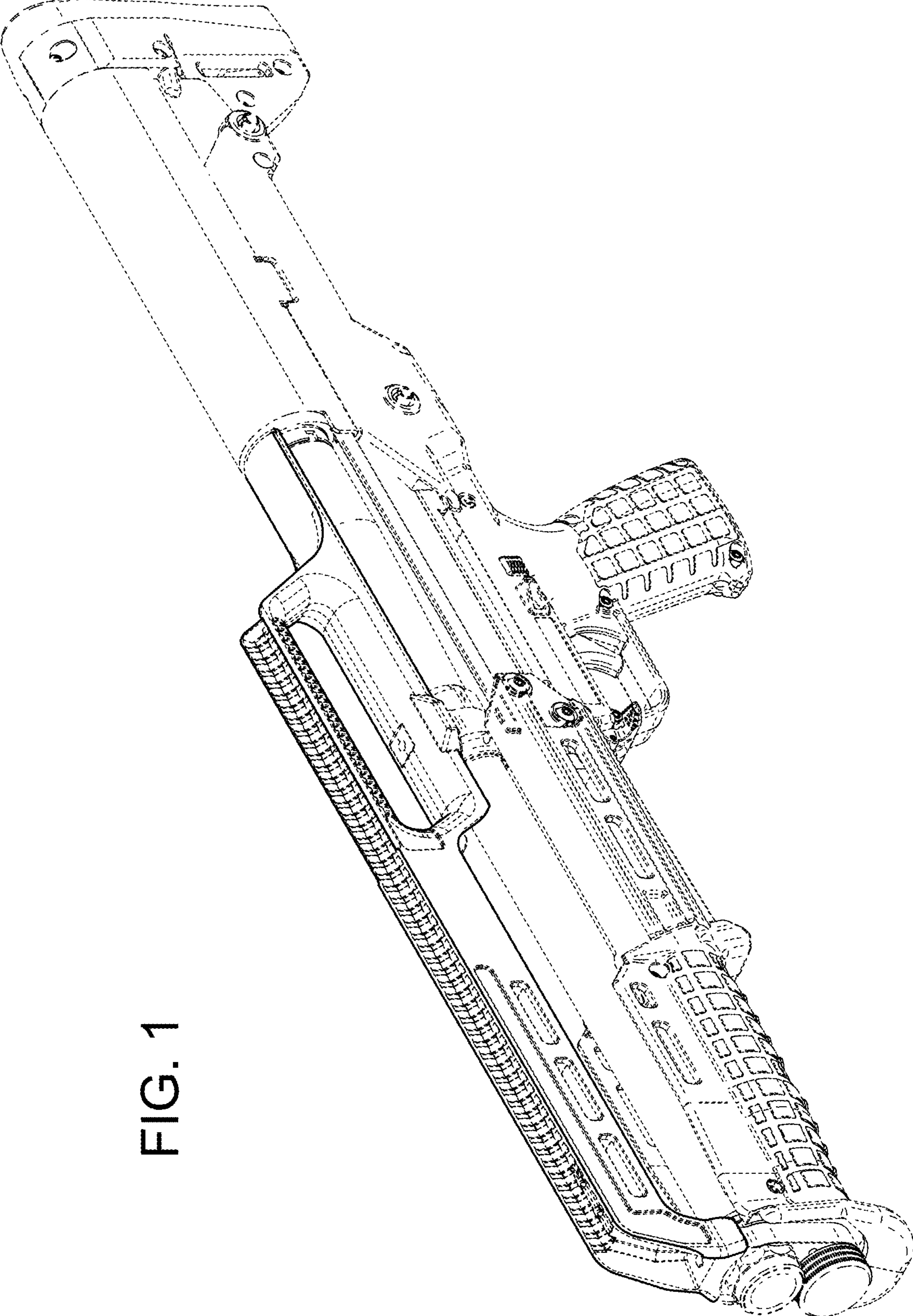


FIG. 1

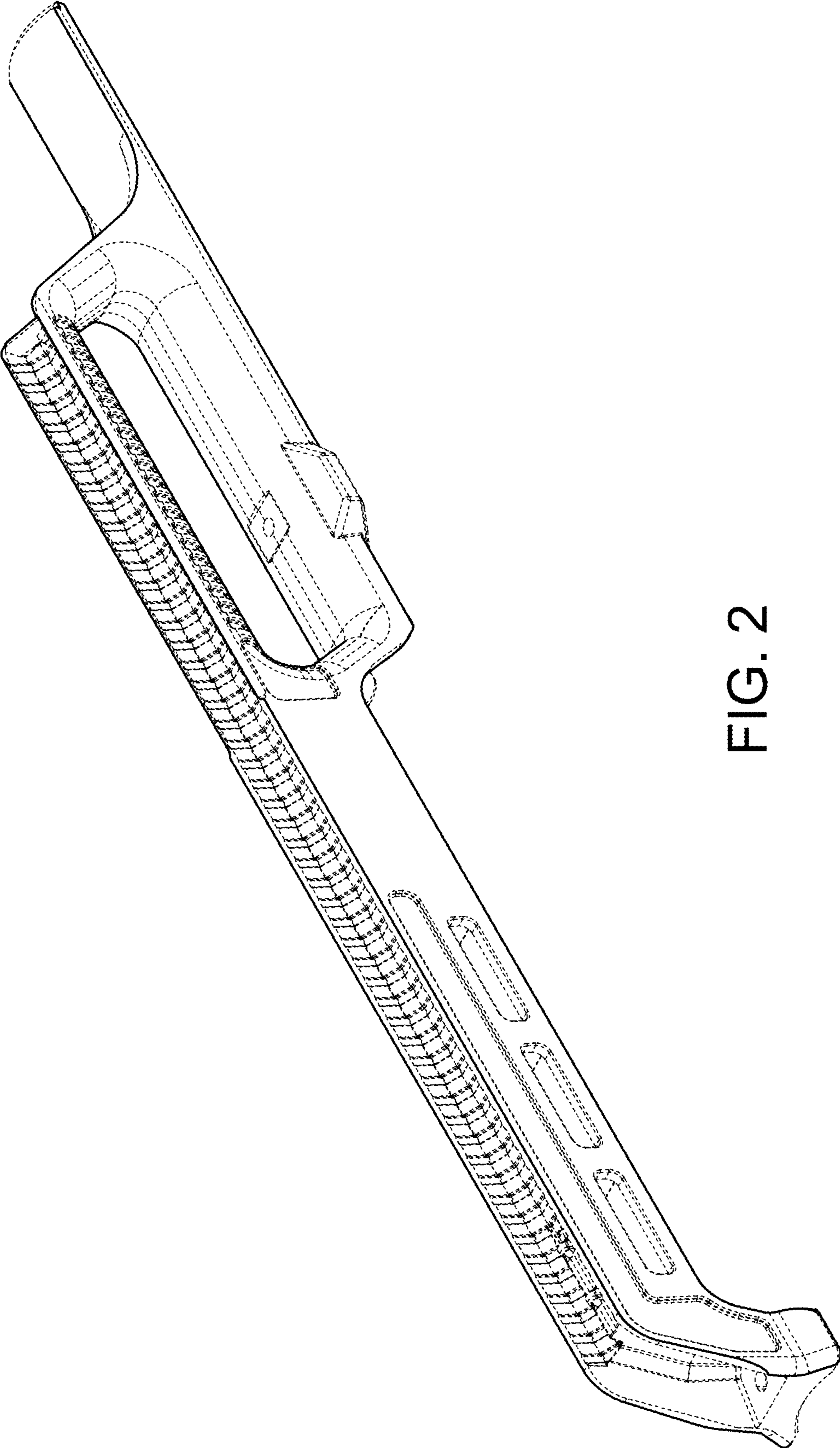


FIG. 2

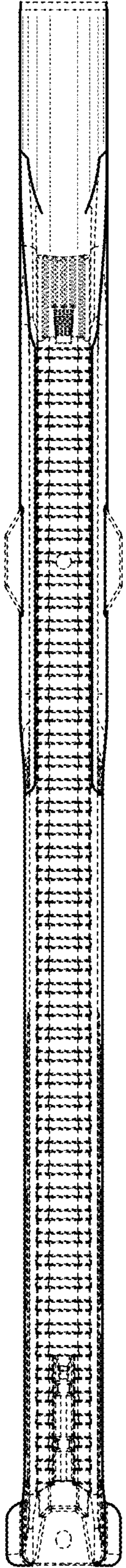


FIG. 3

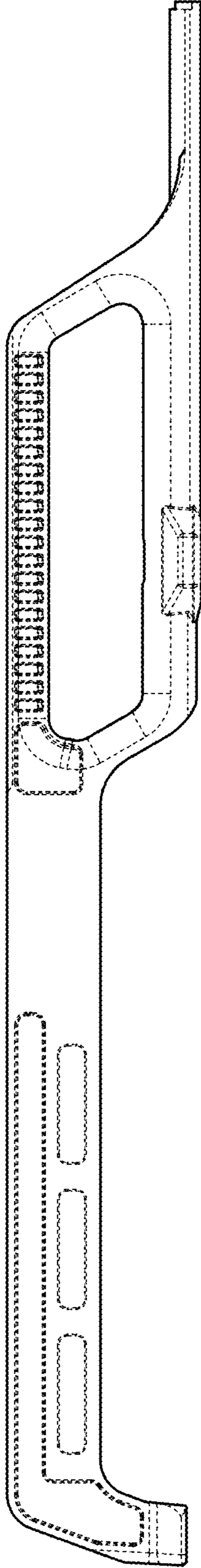


FIG. 4

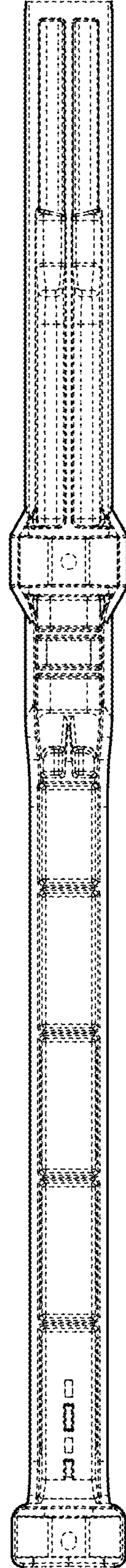


FIG. 5

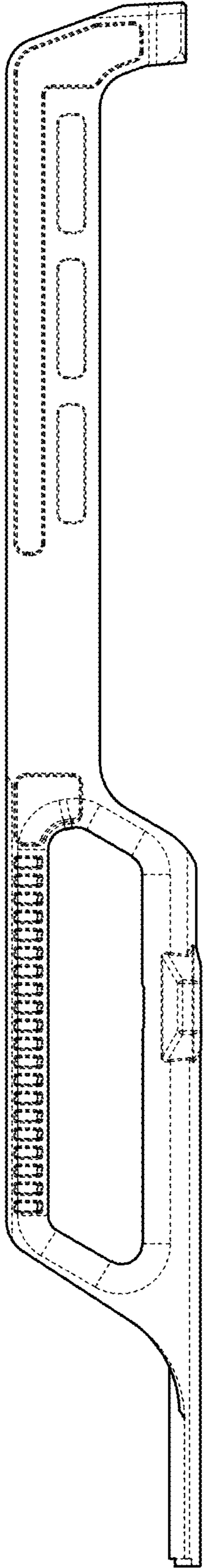


FIG. 6

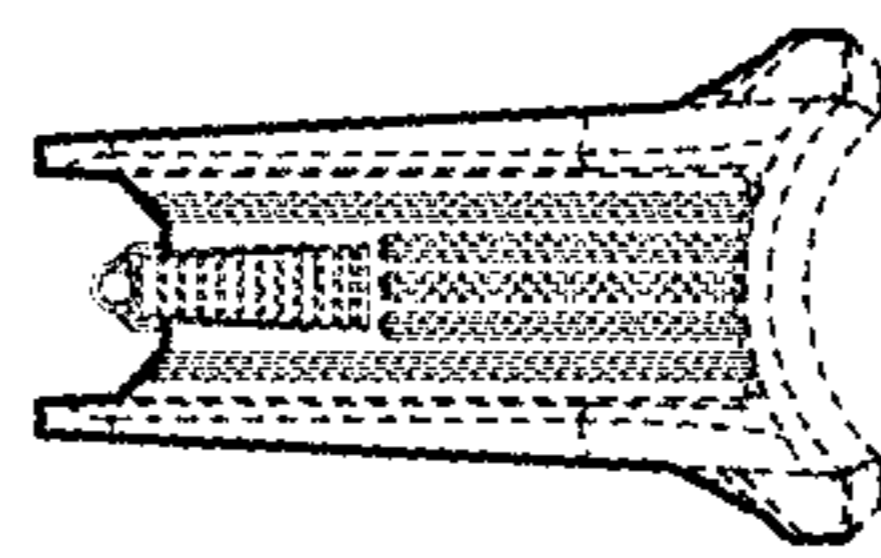


FIG. 7

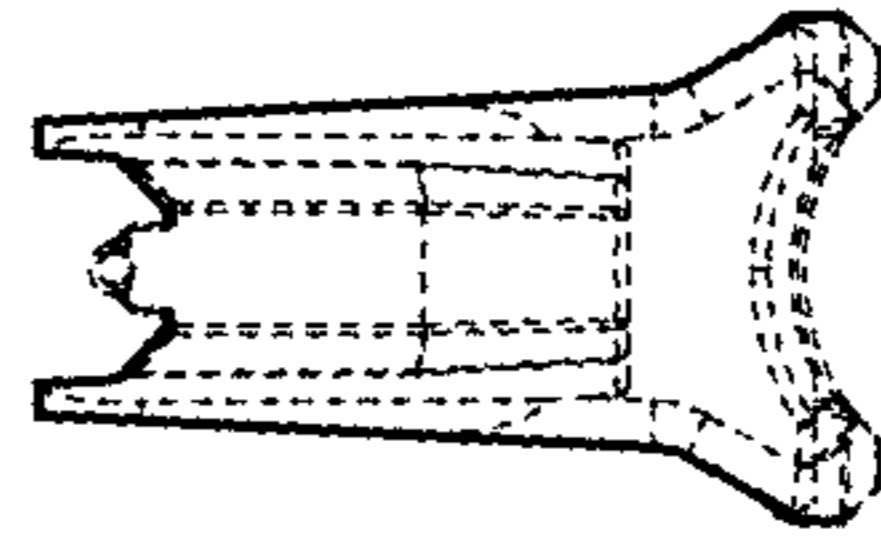


FIG. 8