



US00D892962S

(12) **United States Design Patent**
Roberts

(10) **Patent No.:** **US D892,962 S**

(45) **Date of Patent:** **** Aug. 11, 2020**

(54) **DRUM MAGAZINE**

FOREIGN PATENT DOCUMENTS

(71) Applicant: **Magpul Industries Corp.**, Austin, TX
(US)

KR 1015012540000 B1 3/2015
WO 2011056236 A2 5/2011
WO 2011155971 A1 12/2011

(72) Inventor: **Timothy Eric Roberts**, Broomfield, CO
(US)

OTHER PUBLICATIONS

(73) Assignee: **Magpul Industries Corp.**, Austin, TX
(US)

Adaptavie Tactical, "Sidewinder Venom Magazines", Known to exist as early as Nov. 2015, p. 3, Publisher: Website located at <http://www.adaptivetactical.com/products/venom-10rndrotary-magazine.php>, Published in: US.

(**) Term: **15 Years**

(Continued)

(21) Appl. No.: **29/682,285**

(22) Filed: **Mar. 4, 2019**

Primary Examiner — Michael A. Pratt

(51) **LOC (12) Cl.** **22-01**

(74) *Attorney, Agent, or Firm* — Neugeboren O'Dowd PC

(52) **U.S. Cl.**

USPC **D22/108**

(58) **Field of Classification Search**

USPC D22/103, 108; D21/572-573

CPC F41A 9/73

See application file for complete search history.

(57) **CLAIM**

The ornamental design for a drum magazine, as shown.

(56) **References Cited**

DESCRIPTION

U.S. PATENT DOCUMENTS

4,332,097	A	6/1982	Taylor, Jr.	
4,413,546	A *	11/1983	Taylor, Jr.	F41A 9/73
				89/33.02
4,487,103	A *	12/1984	Atchisson	F41A 9/73
				89/33.02
4,497,410	A *	2/1985	Coate	B23Q 3/15506
				211/1.53
4,926,742	A *	5/1990	Ma	F41A 9/75
				42/49.01
8,117,956	B2 *	2/2012	Emde	F41A 9/75
				42/49.01
8,196,327	B2	6/2012	Rich	
8,220,377	B2	7/2012	Quetschke et al.	
8,347,774	B2 *	1/2013	Rich	F41A 9/74
				42/49.01
8,448,558	B2 *	5/2013	Lasichak	F41A 9/03
				42/49.01

FIG. 1 is a left, front, top perspective view of the drum magazine;

FIG. 2 is a front elevation view of the drum magazine;

FIG. 3 is a rear elevation view of the drum magazine;

FIG. 4 is a right elevation view of the drum magazine.

FIG. 5 is a left elevation view of the drum magazine

FIG. 6 is a top view of the drum magazine;

FIG. 7 is a bottom view of the drum magazine; and,

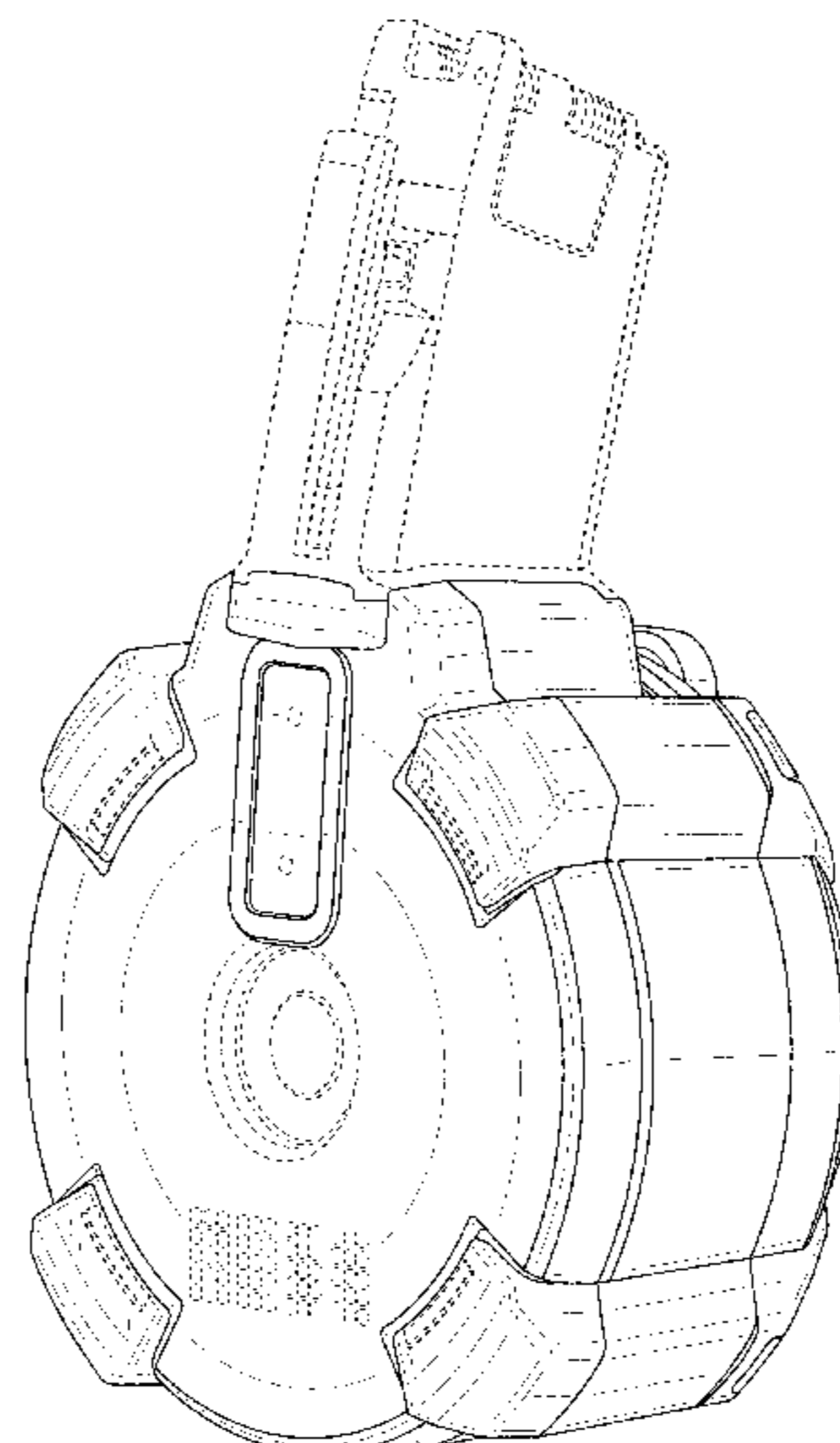
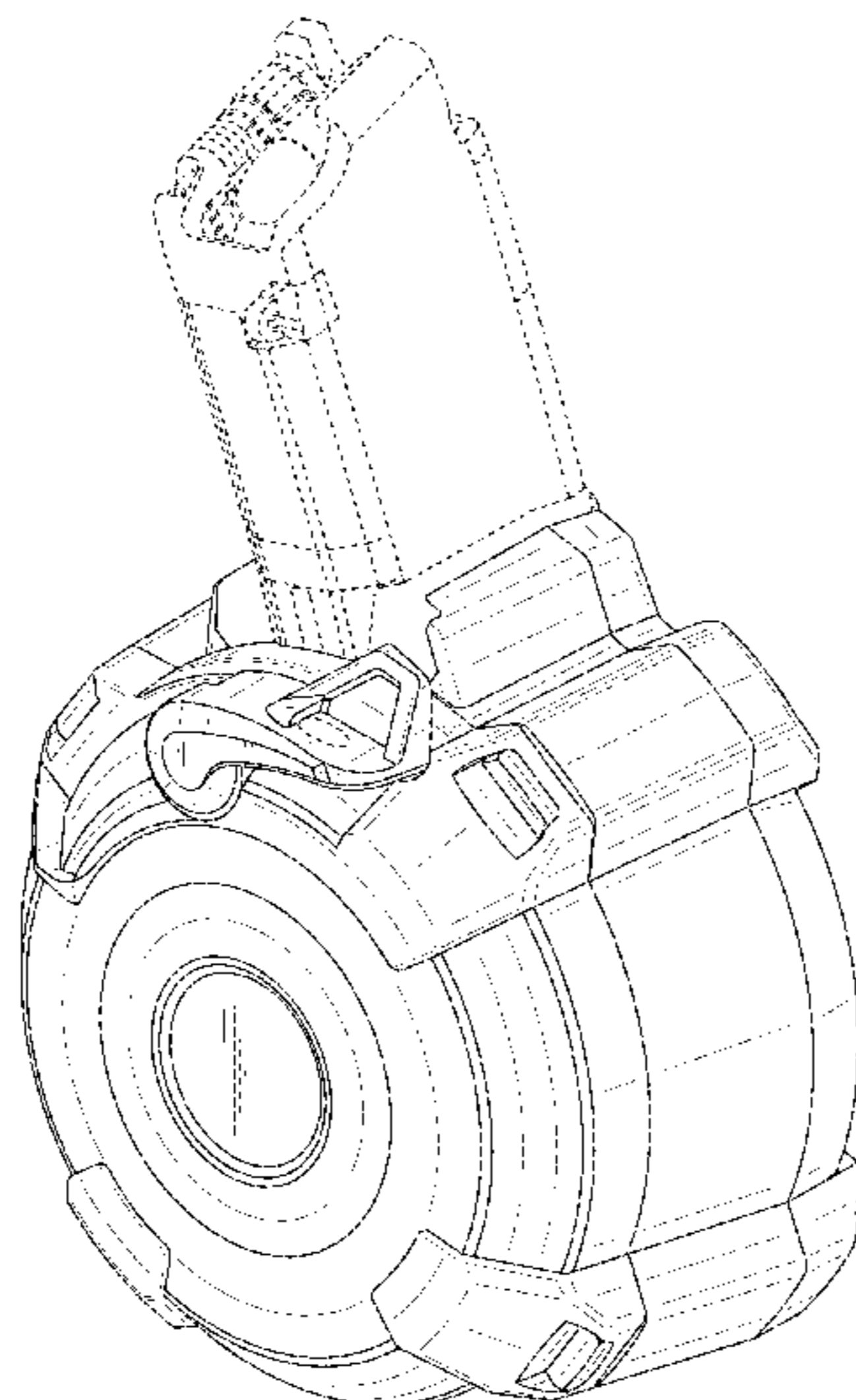
FIG. 8 is a right, rear, top perspective view of the drum magazine.

The shade lines in the Figures show contour and not surface ornamentation.

The broken lines showing portions of the design in all figures are included for the purpose of illustrating environment and do not form a part of the claimed design.

(Continued)

1 Claim, 8 Drawing Sheets



(56)

References Cited

U.S. PATENT DOCUMENTS

8,733,224	B2	5/2014	Lasichak et al.	
8,839,706	B1 *	9/2014	Macy	F41B 11/54 124/45
8,919,022	B2 *	12/2014	Chewning	F41A 9/75 42/49.01
D765,813	S *	9/2016	Roberts	D22/108
9,664,470	B2	5/2017	No	
10,495,405	B1 *	12/2019	Ma	F41B 7/08
2011/0079132	A1 *	4/2011	Rich	F41A 9/74 89/33.02
2011/0107902	A1 *	5/2011	Quetschke	F41A 9/75 89/33.02
2011/0137205	A1 *	6/2011	Frey	A61B 5/1411 600/583
2012/0144712	A1 *	6/2012	Rostocil	F41A 9/79 42/16
2014/0076137	A1 *	3/2014	Lasichak	F41A 9/70 89/33.02
2014/0096671	A1 *	4/2014	Jiang	F41A 9/73 89/33.02
2014/0251119	A1 *	9/2014	Macy	F41B 11/54 89/33.02
2015/0090106	A1 *	4/2015	Seeley	F41A 9/71 89/33.01
2015/0219414	A1 *	8/2015	No	F41A 9/75 42/49.01
2016/0102931	A1 *	4/2016	Roberts	F41A 9/65 89/33.02
2019/0219349	A1 *	7/2019	Davidson	F41A 9/75

OTHER PUBLICATIONS

Cheaper Than Dirt, "AK 47 Drum Magazine", Known to exist as early as Nov. 2015, p. 3, Publisher: Website located at <http://www.cheaperthandirt.com/Search.aspx?site=AIIProducts&num=15&q=AK+47+Drum+Magazine>, Published in: US.

E & L Manufacturing, "Home of the American 180", Known to exist as early as Nov. 2015, p. 4, Publisher: Website located at <http://www.elmfg.com/am180/accessor/drumlexan.html>, Published in: US.

Armatic Industries Inc., "SAW-MAG", Known to exist as early as Nov. 2015, "Website located at <http://www.armatac.com/products/>", p. 4, Published in: US.

The Beta Company, "Beta C-MAG SCAR 17", Known to exist as early as Nov. 2015, p. 2, Publisher: Website located at <http://www.betaco.com/>, Published in: US.

Black Dog Machine LLC, "1022 50 Round Drum", Known to exist as early as Nov. 2015, p. 5, Publisher: Website located at <http://blackdogmachinellc.net/drum-10-22-50rd.aspx>, Published in: US.

Midway USA Inc, "Military Surplus Magazine AK-47 7.26x39MM 75 Round Drum Steel Gray", Known to exist as early as Nov. 2015, p. 11, Publisher: Website located at <http://www.midwayusa.com/>

[product/148497/military-surplus-magazine-ak-47-762x39mm-75-round-drum-steel-gray](http://www.midwayusa.com/product/148497/military-surplus-magazine-ak-47-762x39mm-75-round-drum-steel-gray), Published in: US.

World Guns, "Type 95 and 97 (QBB-95 and QBB-97) Light Machine Guns (China)", Known to exist as early as Nov. 2015, p. 8, Publisher: Website located at <http://world.guns.ru/machine/ch/type-95-lmg-e.html>, Published in: US.

All World Wars, "Lewis Automatic Machine Gun", Known to exist as early as Nov. 2015, p. 45, Publisher: Website located at <http://www.allworldwars.com/Lewis-Automatic-Machine-Gun-1916.html>, Published in: US.

MWG Company, "MWG 50 Rounder Ruger 10/22 Magazine", Known to exist as early as Nov. 2015, p. 3, Publisher: Website located at http://www.mwgco.com/ar-15_accessories/product/MWG-022-050.html, Published in: US.

Magpul Industries Corp., "PMAG D-60", "Known to exist as early as Dec. 21, 2018", p. 4, Publisher: Retrieved from <https://www.magpul.com/firearms-accessories/pmags/ar15-m4-m16/firearms-accessories/pmags/ar15-m4-m16-pmags/pmag-d60-ar-m4>, Published in: US.

Midway USA Inc, "Promag Drum Magazine AK-47 7.62x39MM 73 Round Polymer Black", Known to exist as early as Nov. 2015, p. 11, Publisher: Website located at http://www.midwayusa.com/product/968932/promag-drum-magazine-ak-47-762x39mm-73-round-polymer-black?cm_vc=subv1968932, Published in: US.

Promag Industries, "SAI-A6 Saiga 12 Gauge 20 RD Polymer Drum Magazine", Known to exist as early as Nov. 2015, p. 4, Publisher: Website located at <https://promagindustries.com/saiga/111-saiga-12-gauge-20rd-polymer-drum-magazine.html>, Published in: US.

Wikipedia, "PPSH-41", Known to exist as early as Nov. 2015, p. 14, Publisher: Website located at <https://en.wikipedia.org/wiki/PPSh-41>, Published in: US.

Cheaper Than Dirt, "MAG AK-47 Drum Magazine 75 Round 7.62x39 Steel Pre-Ban Romanian", Known to exist as early as Nov. 2015, p. 4, Publisher: Website located at <http://www.cheaperthandirt.com/product/MAG-032>, Published in: US.

Cheaper Than Dirt, "SGM Tactical Glock Drum Magazine 9MM Luger 50 Rounds Polymer Black", Known to exist Nov. 2015, p. 5, Publisher: Website located at <http://www.cheaperthandirt.com/product/2-MGSGMTG1750D>, Published in: US.

Auto-Ordance, "T14KT 100 Round Drum Magazine", Known to exist as early as Nov. 2015, p. 2, Publisher: Website located at <https://www.auto-ordnance.com/Long-Gun-Magazines/Thompson-T14KT-100-Round-Drum-Magazine.asp>, Published in: US.

Heckler & Koch, "50 Round Drum HK91 G3 and PTR", Known to exist as early as Nov. 2015, p. 3, Publisher: Website located at <http://www.hkparts.net/shop/pc/50-Round-Drum-For-HK-91-G3-PTR-Rifles-p1283.htm>, Published in: US.

X Products, "X-15 AR 15 High Capacity Magazine", Known to exist as early as Nov. 2015, p. 9, Publisher: Website located at <http://www.xproducts.com/high-quality-extremely-durable-fully-encased-alloy-50-round-drum-magazine-for-the-ar15-ar-15>, Published in: US.

* cited by examiner

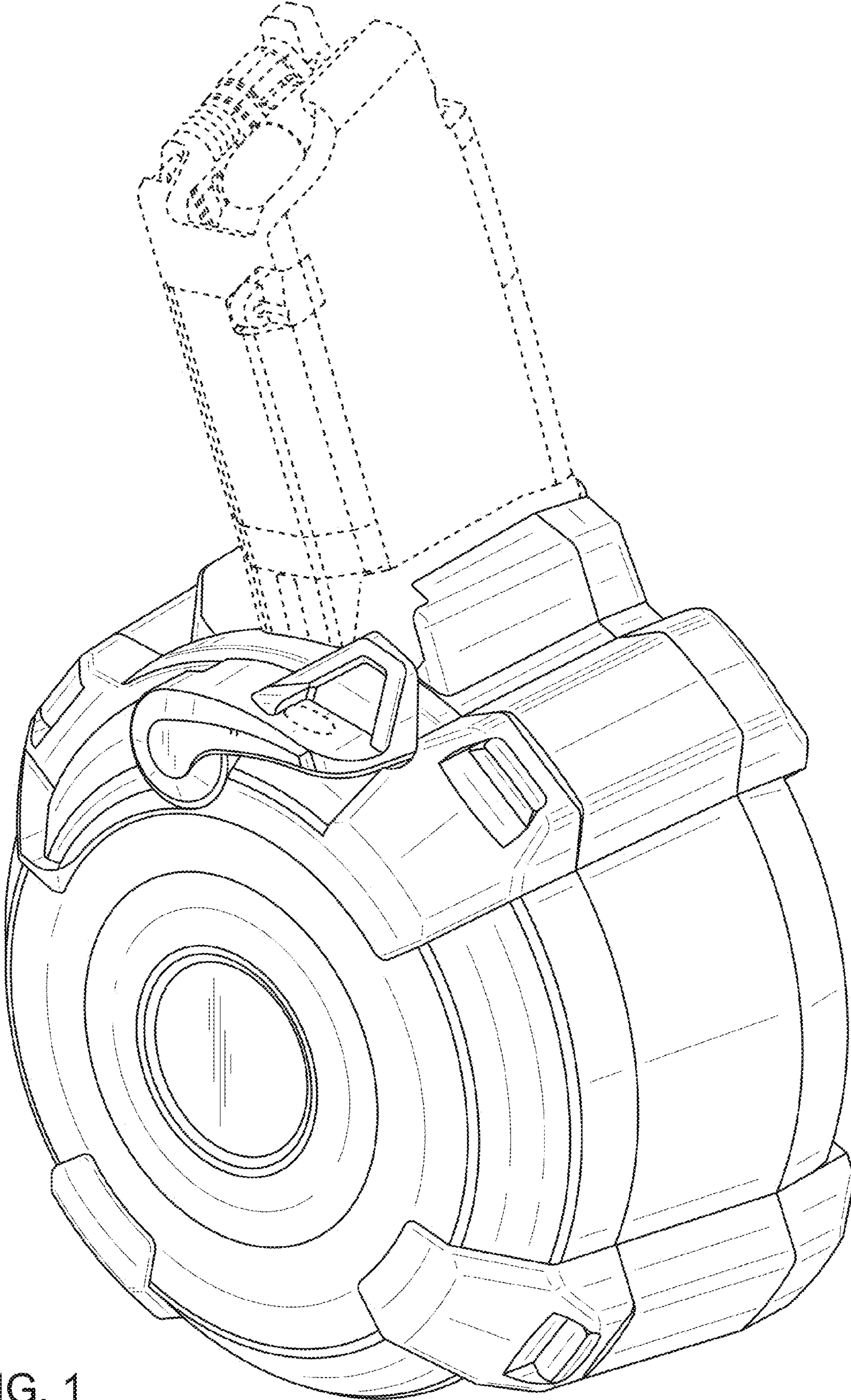


FIG. 1

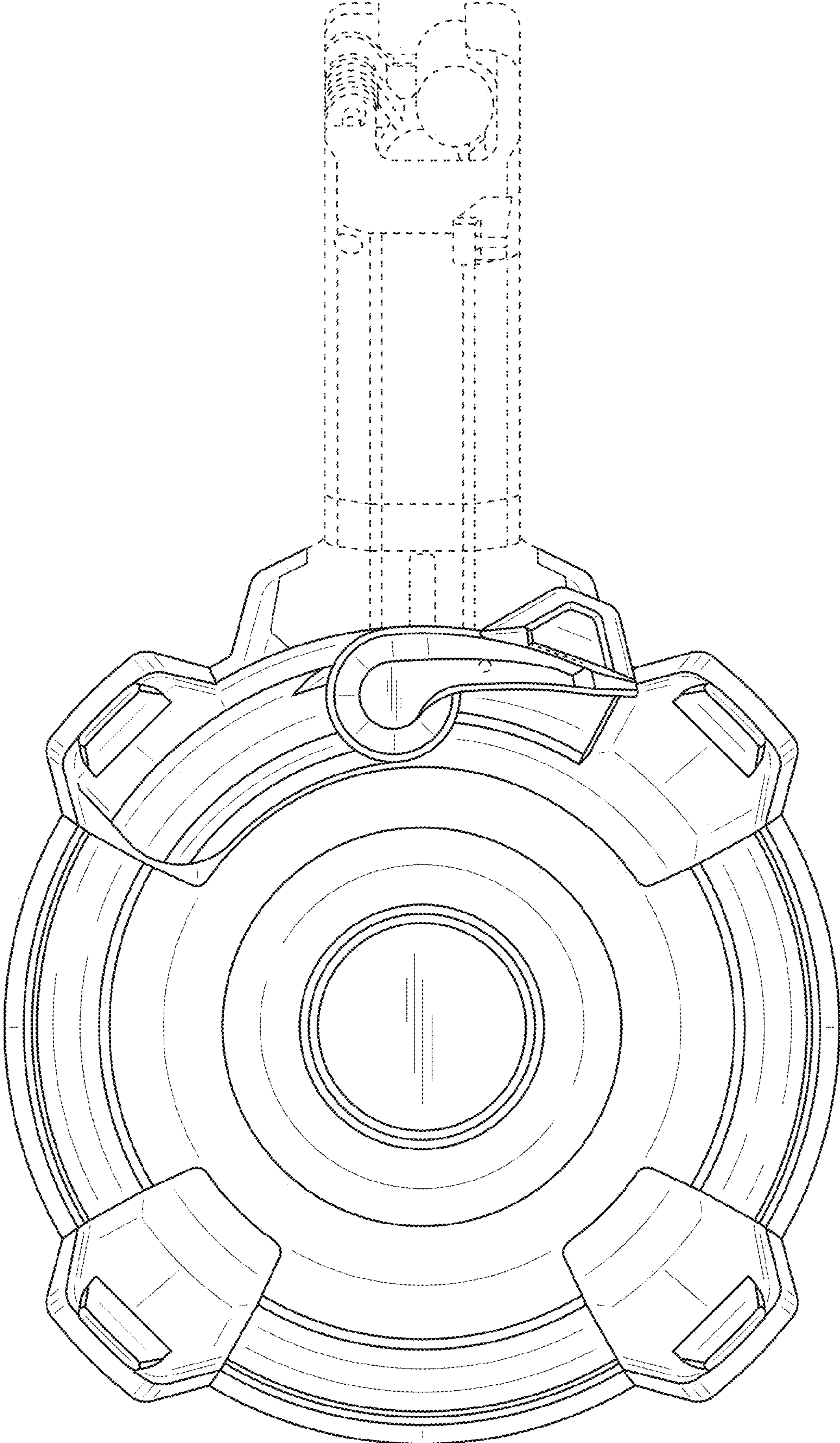


FIG. 2

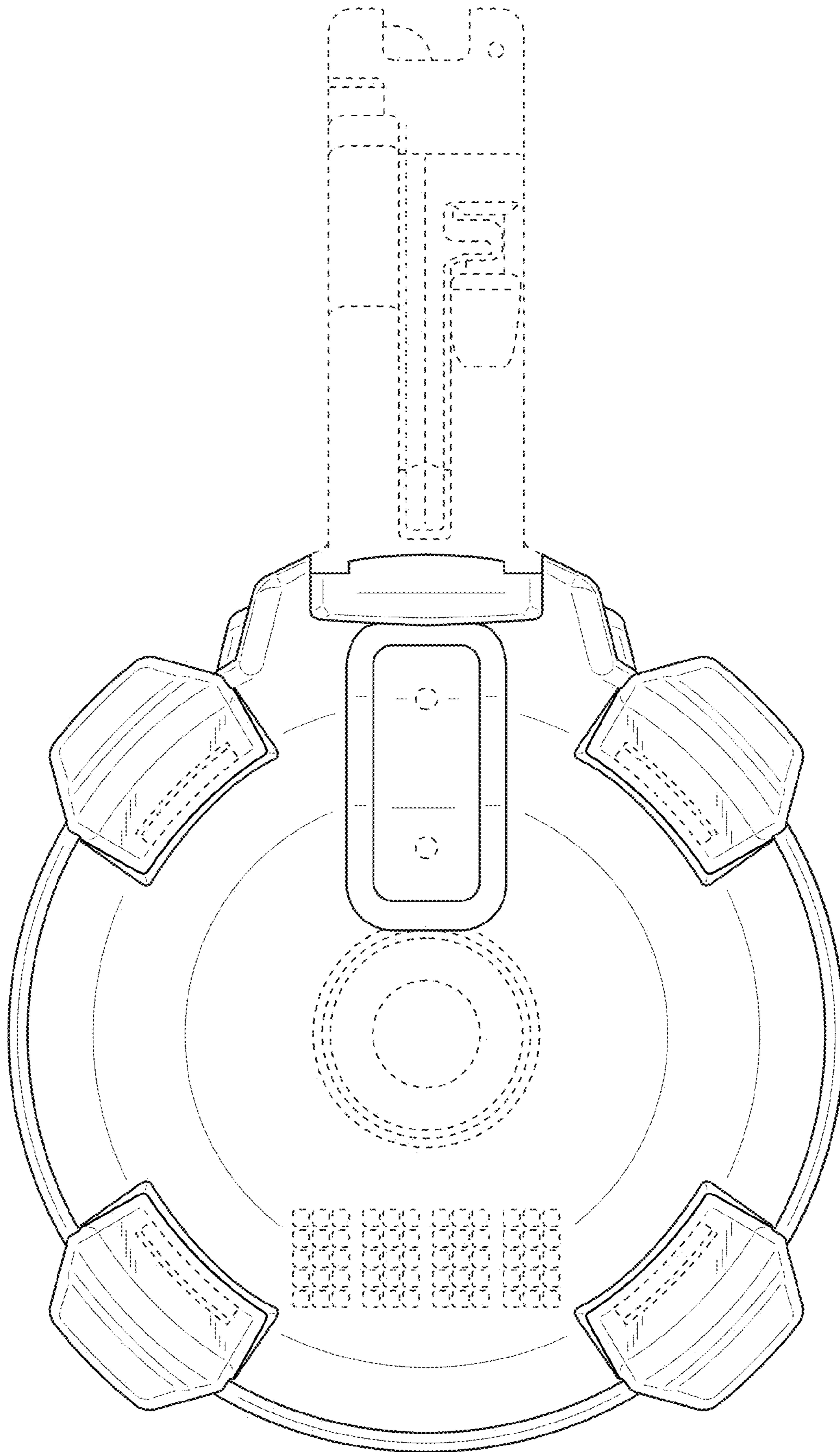


FIG. 3

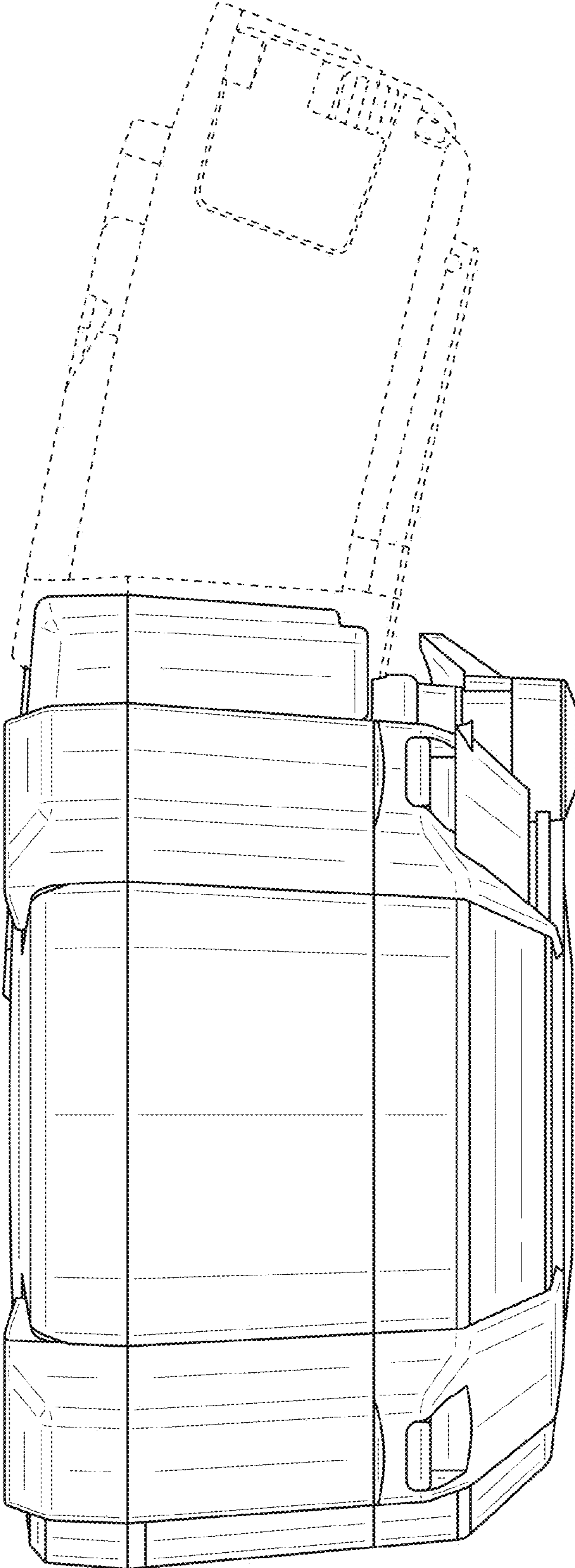


FIG. 4

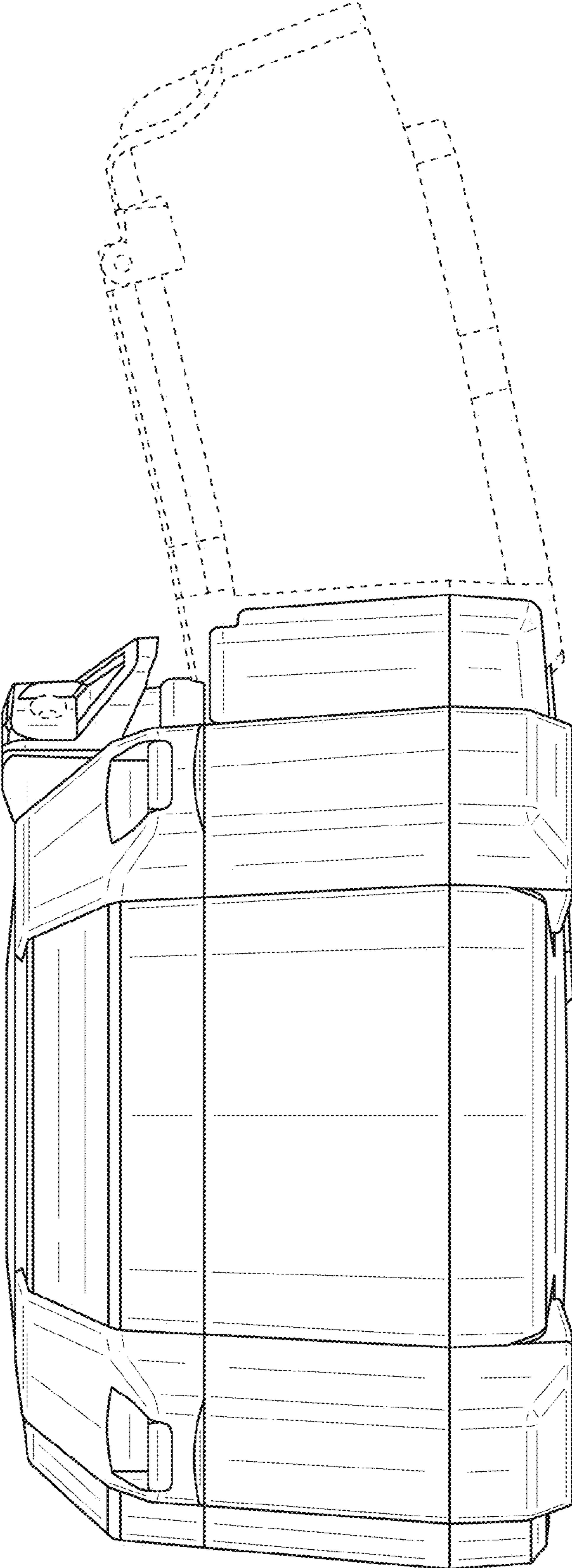


FIG. 5

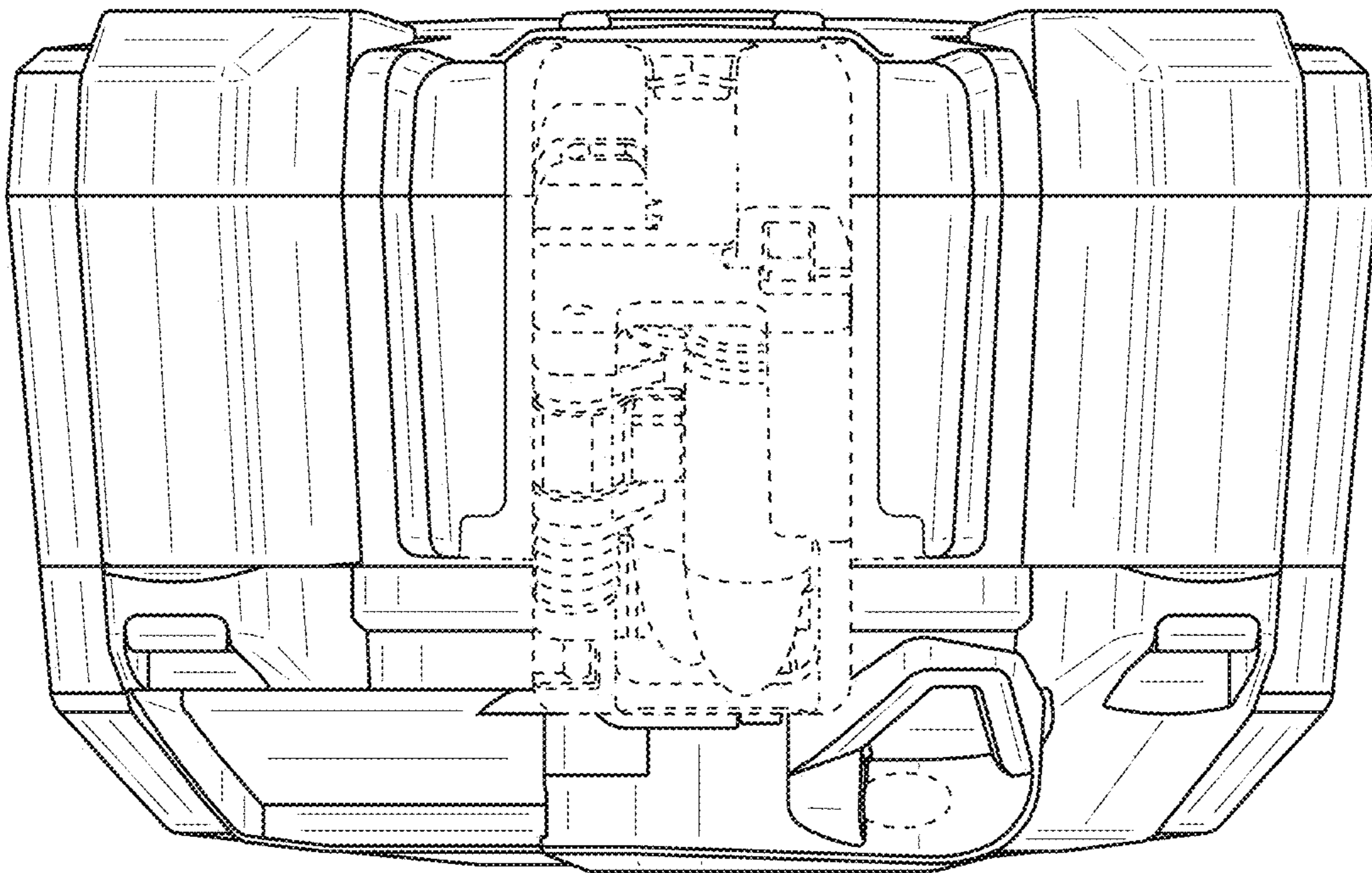


FIG. 6

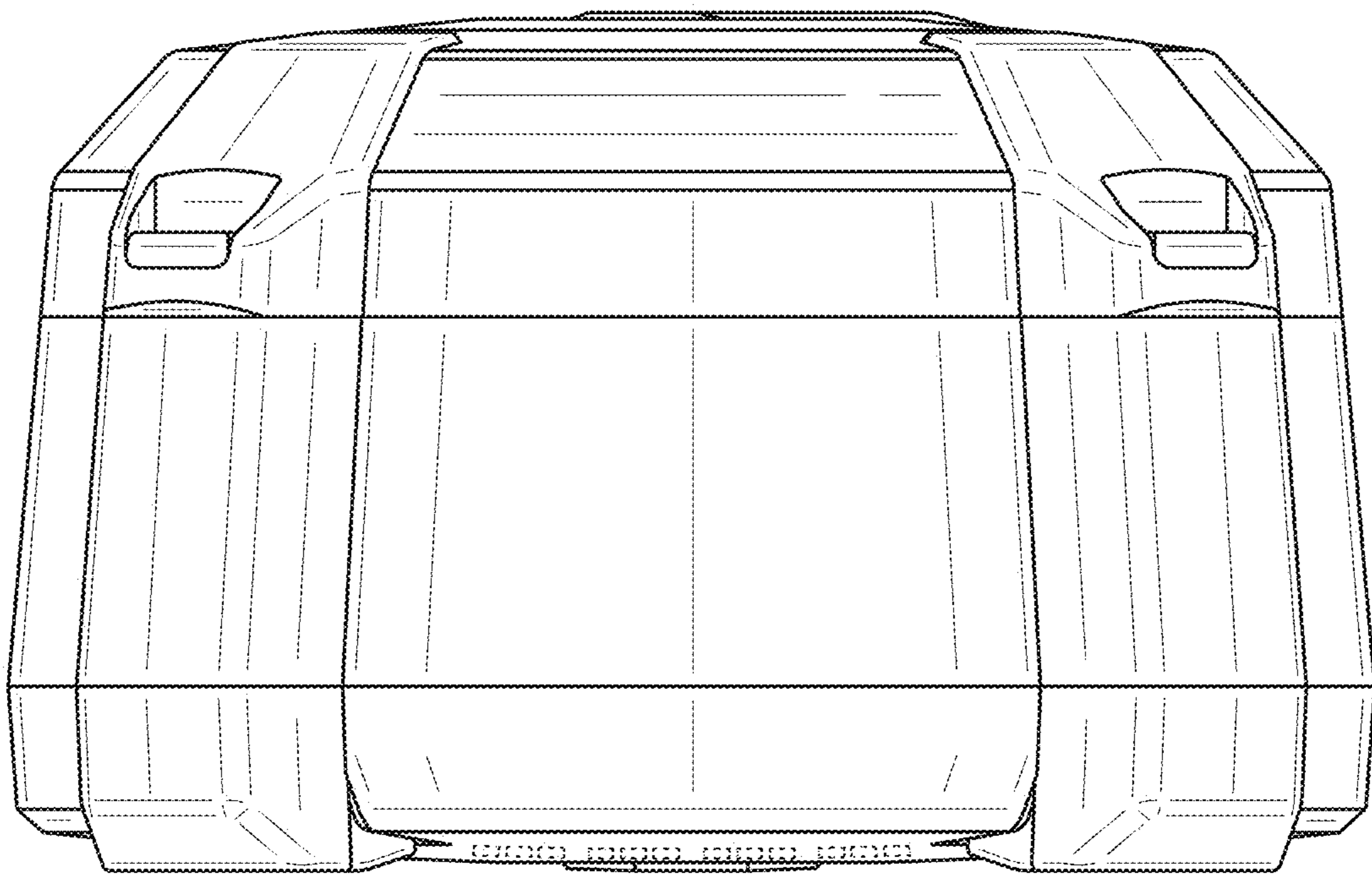


FIG. 7

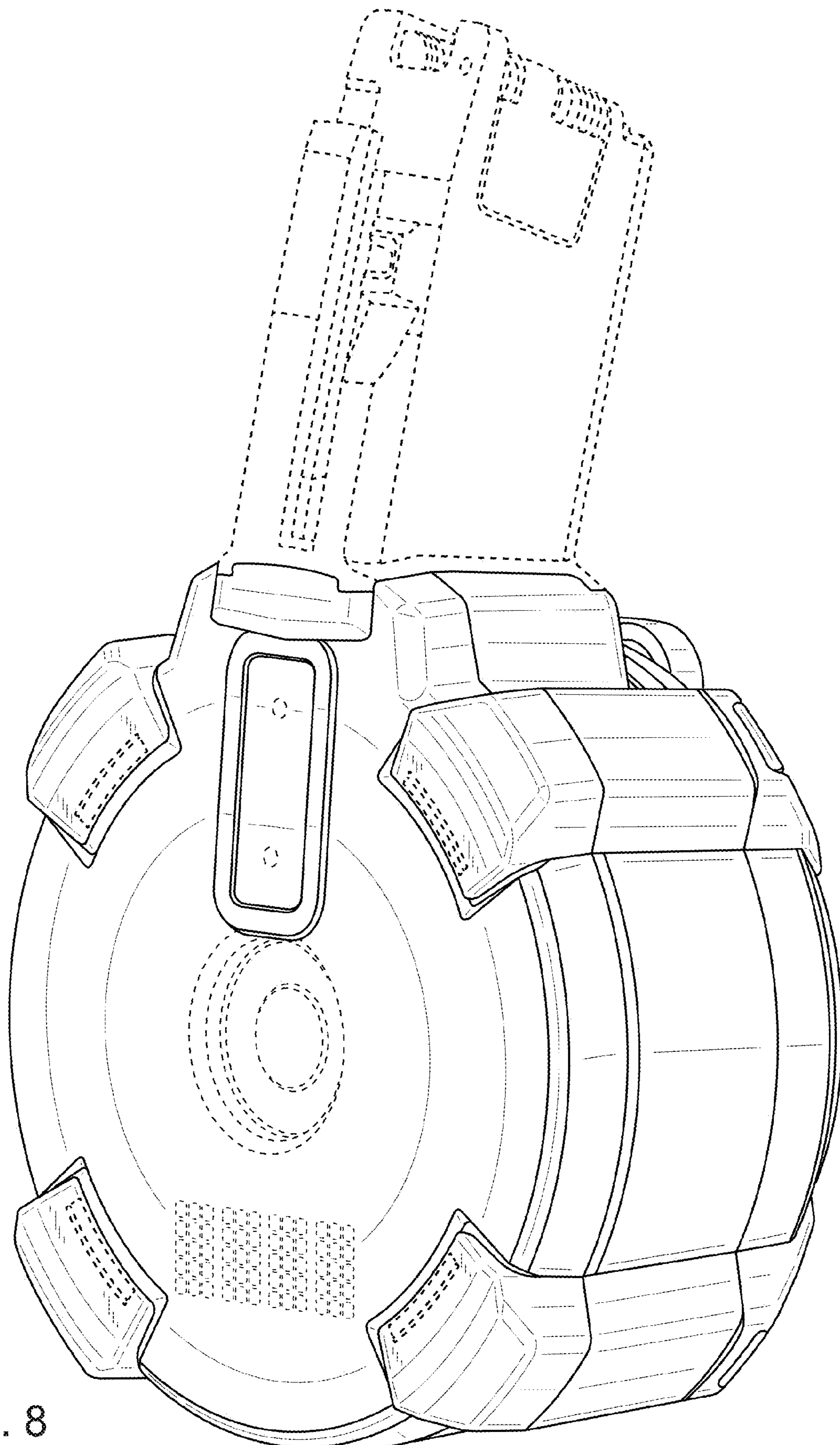


FIG. 8