

US00D892959S

(12) **United States Design Patent** (10) **Patent No.:** **US D892,959 S**  
**Ji** (45) **Date of Patent:** **\*\* Aug. 11, 2020**

(54) **TRAMPOLINE CLIP**  
(71) Applicant: **FULOO, LLC**, Santa Ana, CA (US)  
(72) Inventor: **Kiki Ji**, Irvine, CA (US)  
(73) Assignee: **FULOO, LLC**, Santa Ana, CA (US)  
(\*\*) Term: **15 Years**  
(21) Appl. No.: **29/642,940**  
(22) Filed: **Apr. 3, 2018**  
(51) **LOC (12) Cl.** ..... **21-02**  
(52) **U.S. Cl.**  
USPC ..... **D21/797**  
(58) **Field of Classification Search**  
USPC ..... D21/797, 668, 669, 834, 826, 688;  
D6/582-594, 716; 482/27, 35, 29, 112,  
482/33, 110, 148, 28, 77, 147, 51;  
297/23, 26, 452.18; 135/96, 117;  
D30/112; D25/1, 16, 22, 56; 446/220;  
473/469; 182/139, 224; 273/395, 402;  
D8/21, 29, 14, 382, 367, 373, 383, 394,  
D8/356; 81/124.6, 63.1, 177.85, 125.1,  
81/177.2; D12/118, 178; 285/133.21,  
285/197, 319, 921; 403/170, 217, 326,  
403/28, 188, 230; D11/212, 218  
CPC ..... A63B 5/11; A63B 21/023; A63B 21/0552;  
F16B 45/00  
See application file for complete search history.

(56) **References Cited**  
U.S. PATENT DOCUMENTS  
3,058,184 A \* 10/1962 Ritzheimer ..... B66C 1/14  
24/115 R  
3,683,465 A \* 8/1972 Wernsing ..... F16G 11/14  
24/115 R  
D287,816 S \* 1/1987 Chasen ..... 248/205.3  
D289,139 S \* 4/1987 Chasen ..... D6/323

5,033,169 A \* 7/1991 Bindon ..... F16G 11/00  
24/115 H  
D344,010 S \* 2/1994 Brazis ..... D8/367  
D386,389 S \* 11/1997 Hofman ..... D8/367  
D464,868 S \* 10/2002 Yip ..... D8/367  
6,543,094 B2 \* 4/2003 D'Addario ..... F16L 3/233  
24/16 PB  
7,264,245 B2 \* 9/2007 Cho ..... A63B 69/0097  
273/396  
D583,653 S \* 12/2008 Thompson ..... D8/367  
7,678,024 B2 \* 3/2010 Alexander ..... A63B 5/11  
482/27  
D614,995 S \* 5/2010 Pontaoe ..... D11/212  
D625,986 S \* 10/2010 Kolasa ..... D8/356  
D633,377 S \* 3/2011 Chan ..... D8/383  
D633,378 S \* 3/2011 Chan ..... D8/383  
D635,452 S \* 4/2011 Jones ..... D8/383  
D646,557 S \* 10/2011 Chan ..... D8/367  
D670,601 S \* 11/2012 Paik ..... D11/218  
D680,804 S \* 4/2013 Gilboe ..... D7/367  
D682,663 S \* 5/2013 Evon ..... D8/367  
D691,027 S \* 10/2013 Rainer ..... D8/356  
D709,355 S \* 7/2014 Berger ..... D8/356

(Continued)

*Primary Examiner* — Ryan Harvey  
(74) *Attorney, Agent, or Firm* — Innovation Capital Law  
Group, LLP; Vic Lin

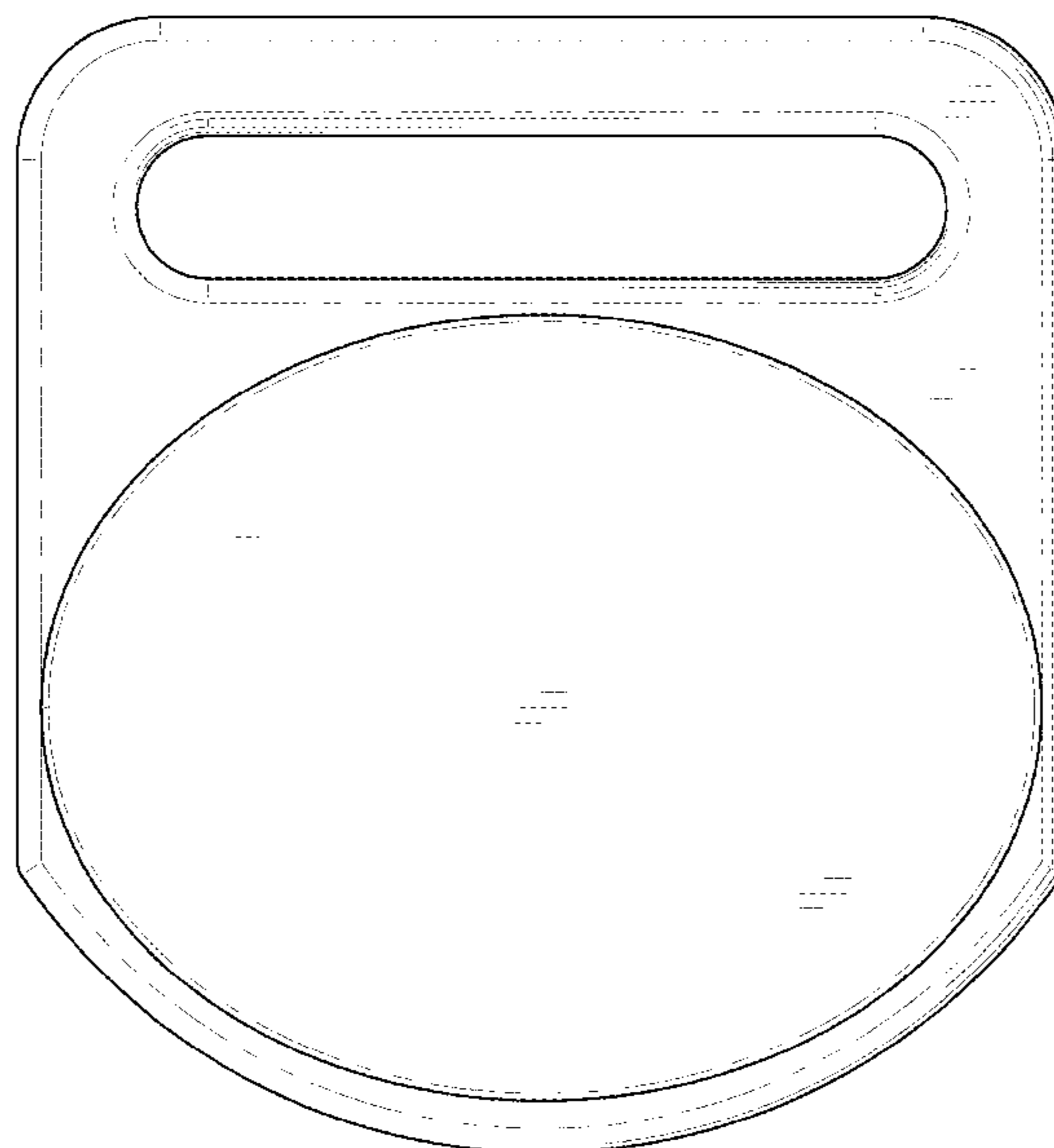
(57) **CLAIM**

The ornamental design for a trampoline clip, as shown and described.

**DESCRIPTION**

FIG. 1 is a top plan view of a trampoline clip;  
FIG. 2 is a bottom plan view thereof;  
FIG. 3 is a right elevation view thereof;  
FIG. 4 is a left elevation view thereof;  
FIG. 5 is a front elevation view thereof;  
FIG. 6 is a rear elevation view thereof;  
FIG. 7 is a top perspective view thereof; and,  
FIG. 8 is a bottom perspective view thereof.

**1 Claim, 8 Drawing Sheets**



(56)

**References Cited**

U.S. PATENT DOCUMENTS

D711,725 S *	8/2014	Bainbridge	.....	D8/356	D872,567 S *	1/2020	Bond	.....	D8/373
D714,129 S *	9/2014	Bainbridge	.....	D8/356	10,532,238 B2 *	1/2020	Publicover	.....	A63B 5/11
D714,622 S *	10/2014	Pan	.....	D8/367	2003/0223808 A1 *	12/2003	Kuo	.....	A63B 21/0552
D714,623 S *	10/2014	Pan	.....	D8/367					403/220
D729,046 S *	5/2015	Paik	.....	D8/367	2005/0113213 A1 *	5/2005	Alexander	.....	A63B 5/11
D765,494 S *	9/2016	Chan	.....	D8/356					482/27
D766,072 S *	9/2016	Chan	.....	D8/356	2010/0009812 A1 *	1/2010	Pieper Genannt Schmauck	.....	A63B 5/11
D824,378 S *	7/2018	Sukphisit	.....	D14/253					482/27
D832,692 S *	11/2018	Wu	.....	D8/383	2013/0005491 A1 *	1/2013	Cox	.....	B26B 27/00
D833,264 S *	11/2018	Wu	.....	D8/383					470/183
10,173,090 B2 *	1/2019	Heymans	.....	A63B 5/11	2013/0316876 A1 *	11/2013	Publicover	.....	A63B 5/11
D839,724 S *	2/2019	Chen	.....	D8/383					482/27
D842,080 S *	3/2019	Wright	.....	D8/367	2016/0296782 A1 *	10/2016	Dai	.....	A63B 5/11
D842,081 S *	3/2019	Thompson	.....	D8/367	2017/0350154 A1 *	12/2017	Chan	.....	E04H 15/32
D842,082 S *	3/2019	Thompson	.....	D8/367	2018/0353789 A1 *	12/2018	Tseng	.....	A63B 1/00
D851,190 S *	6/2019	Seaman	.....	D21/797	2019/0143164 A1 *	5/2019	Bisang	.....	A63B 5/11
D852,612 S *	7/2019	Paik	.....	D8/394	2019/0154115 A1 *	5/2019	Mehr	.....	A63B 5/11
					2020/0055439 A1 *	2/2020	Ruan	.....	B60P 3/00

\* cited by examiner

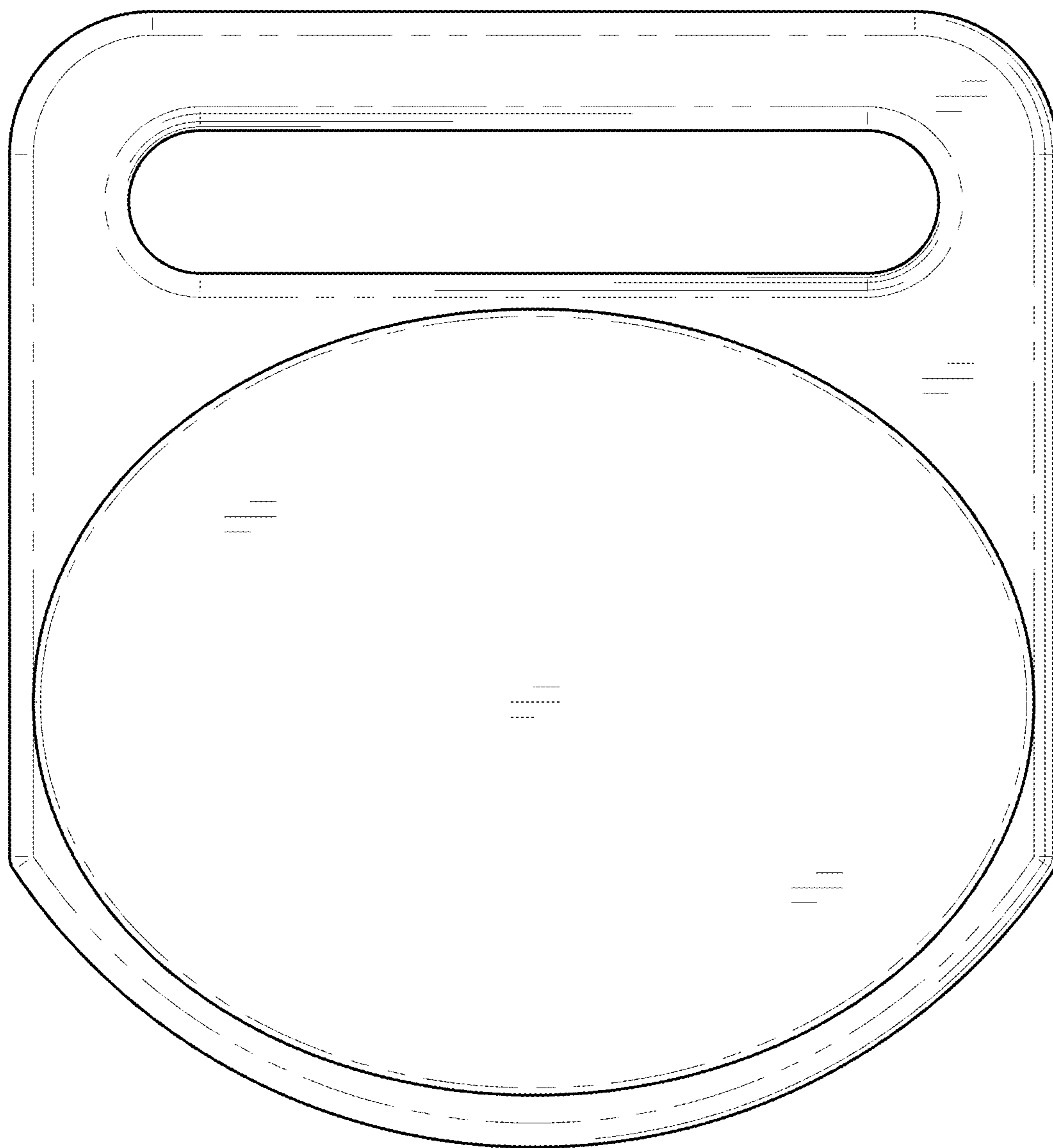


FIG. 1

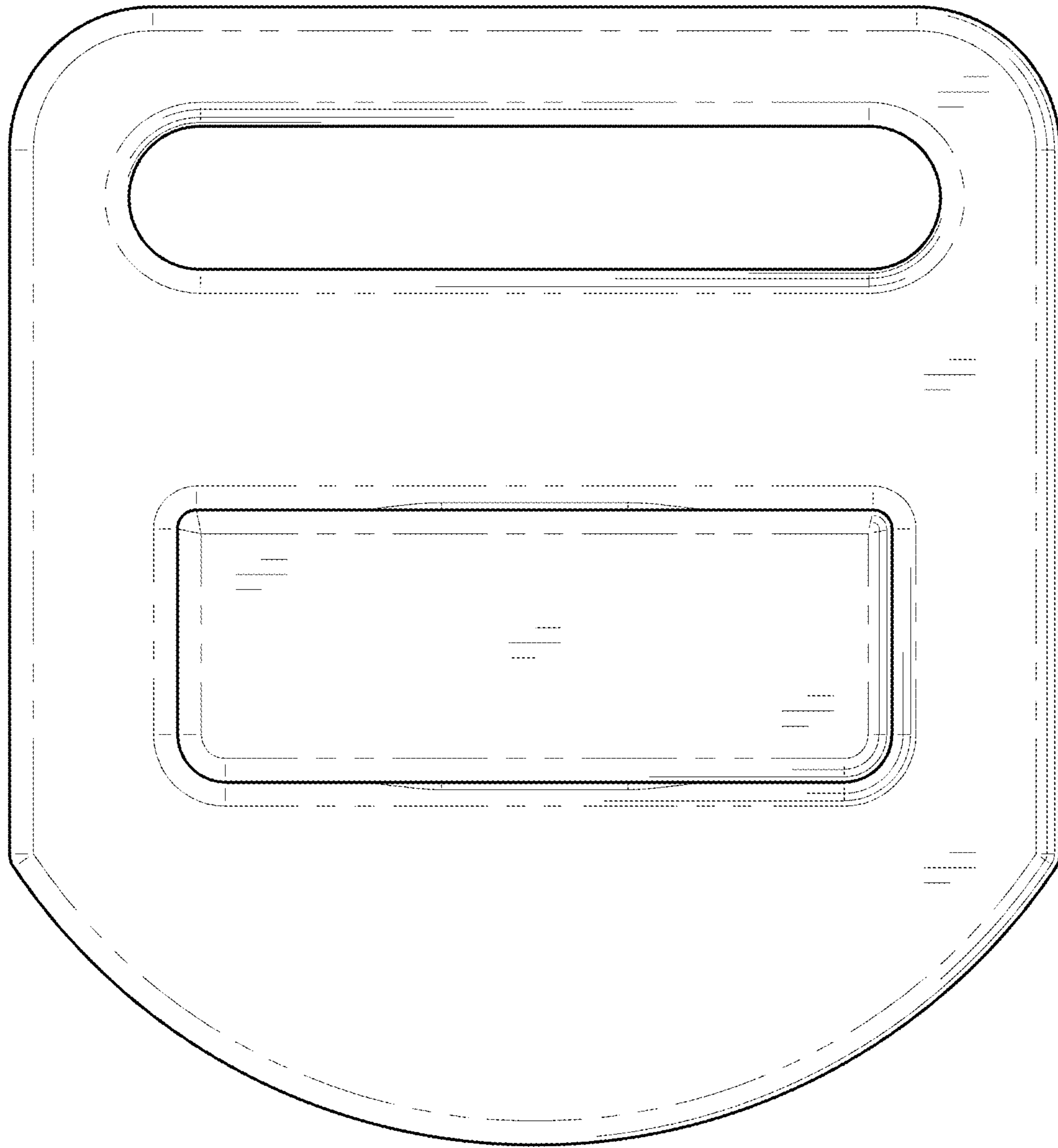


FIG. 2

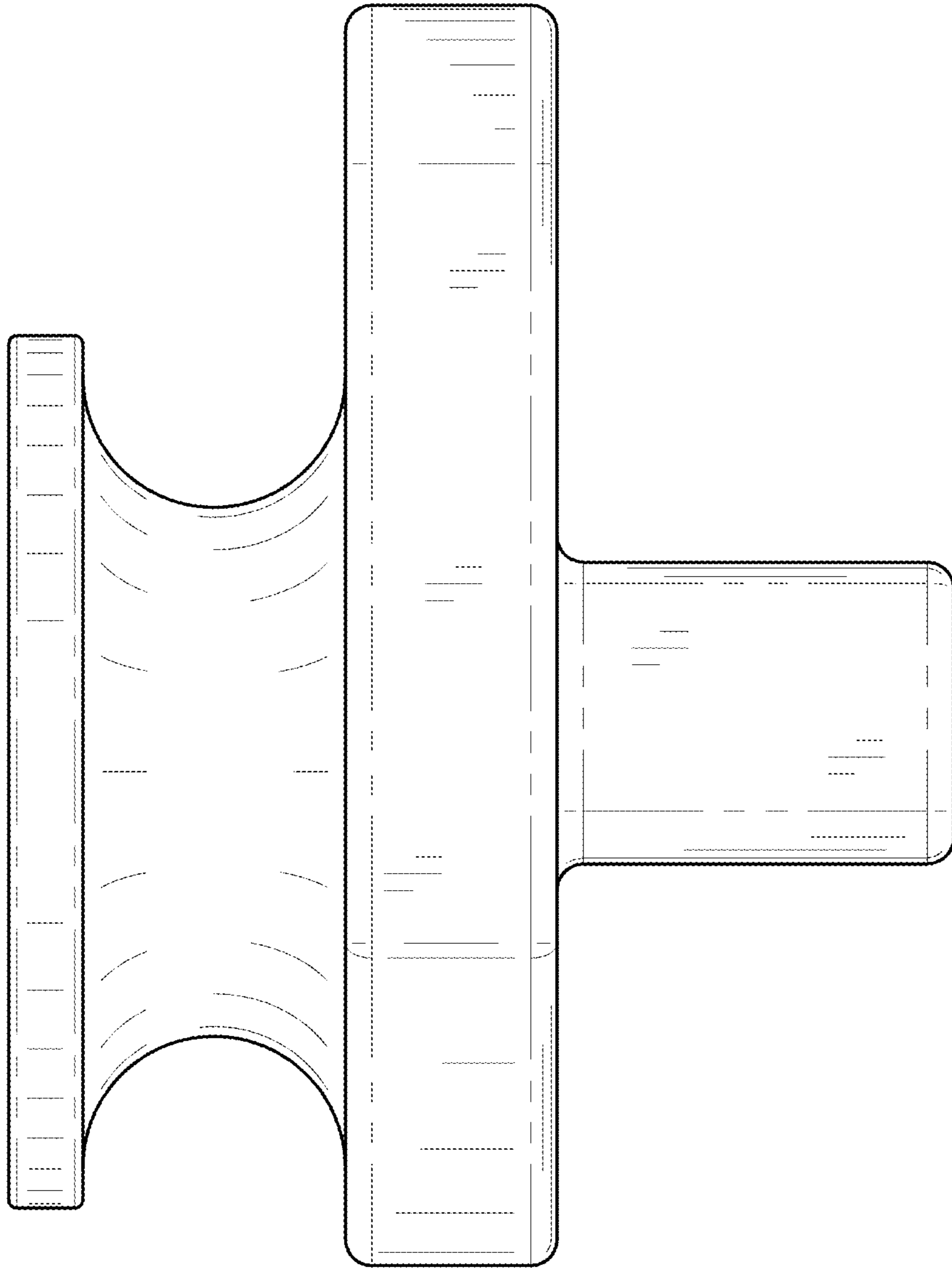


FIG. 3

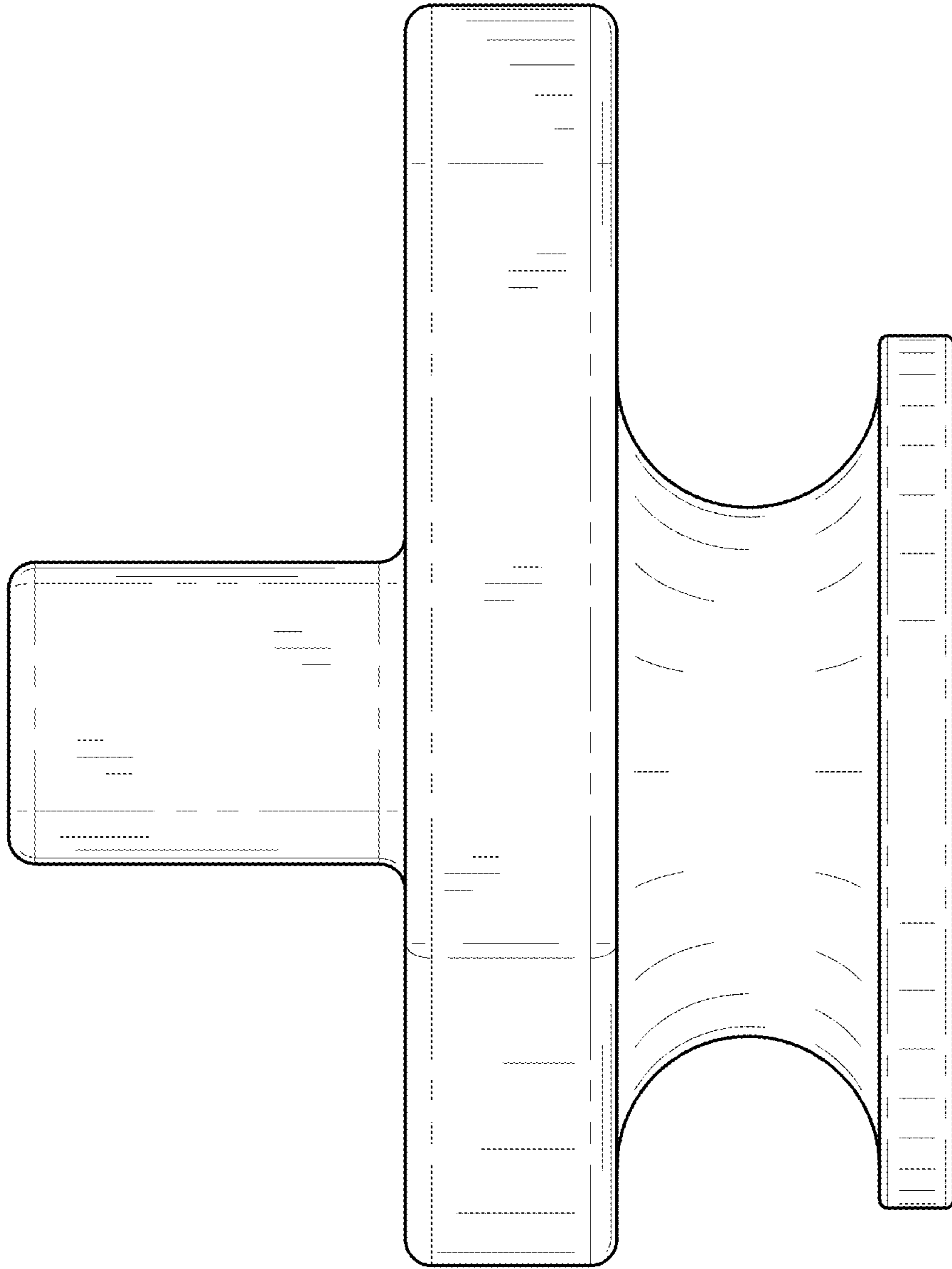


FIG. 4

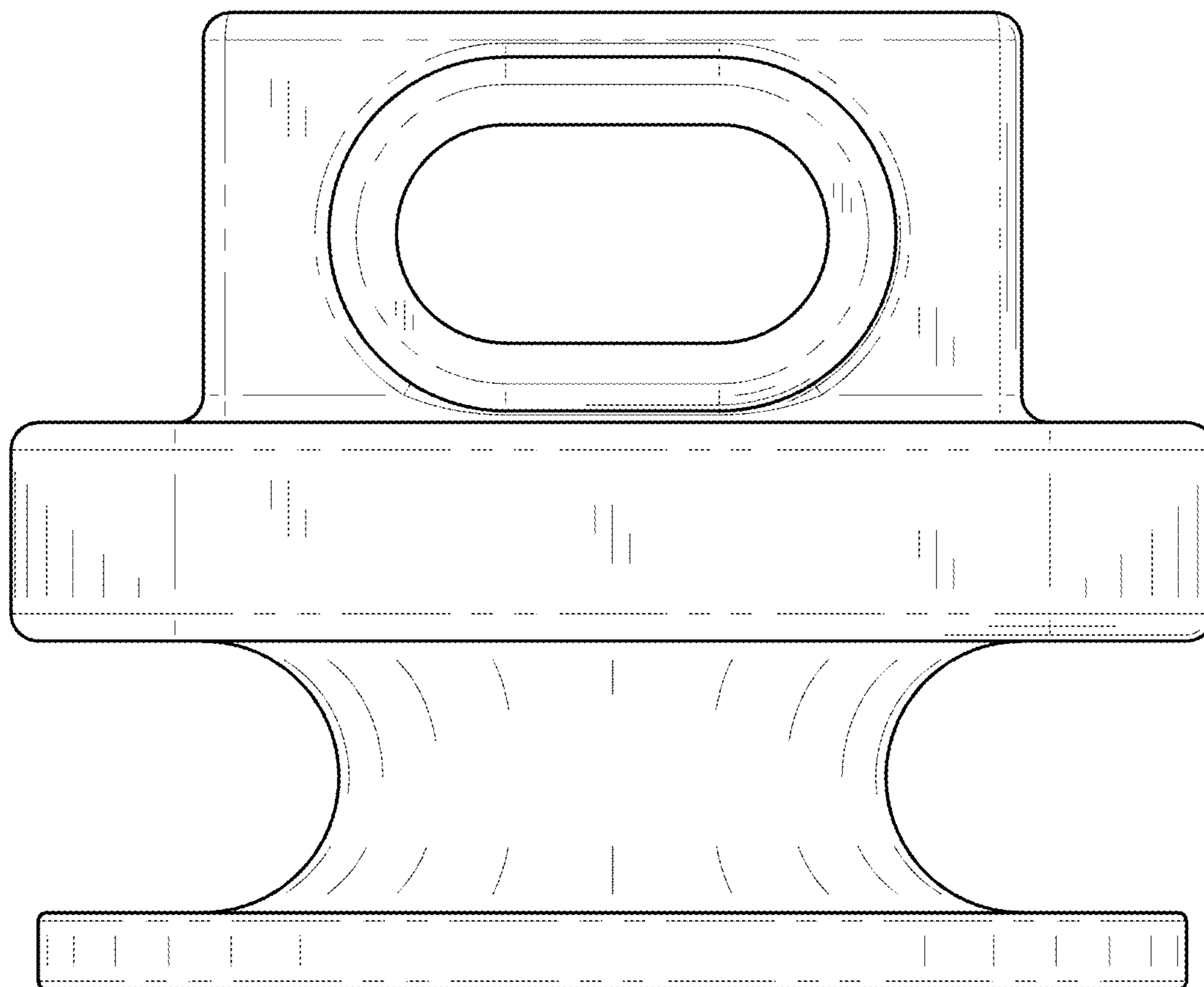


FIG. 5

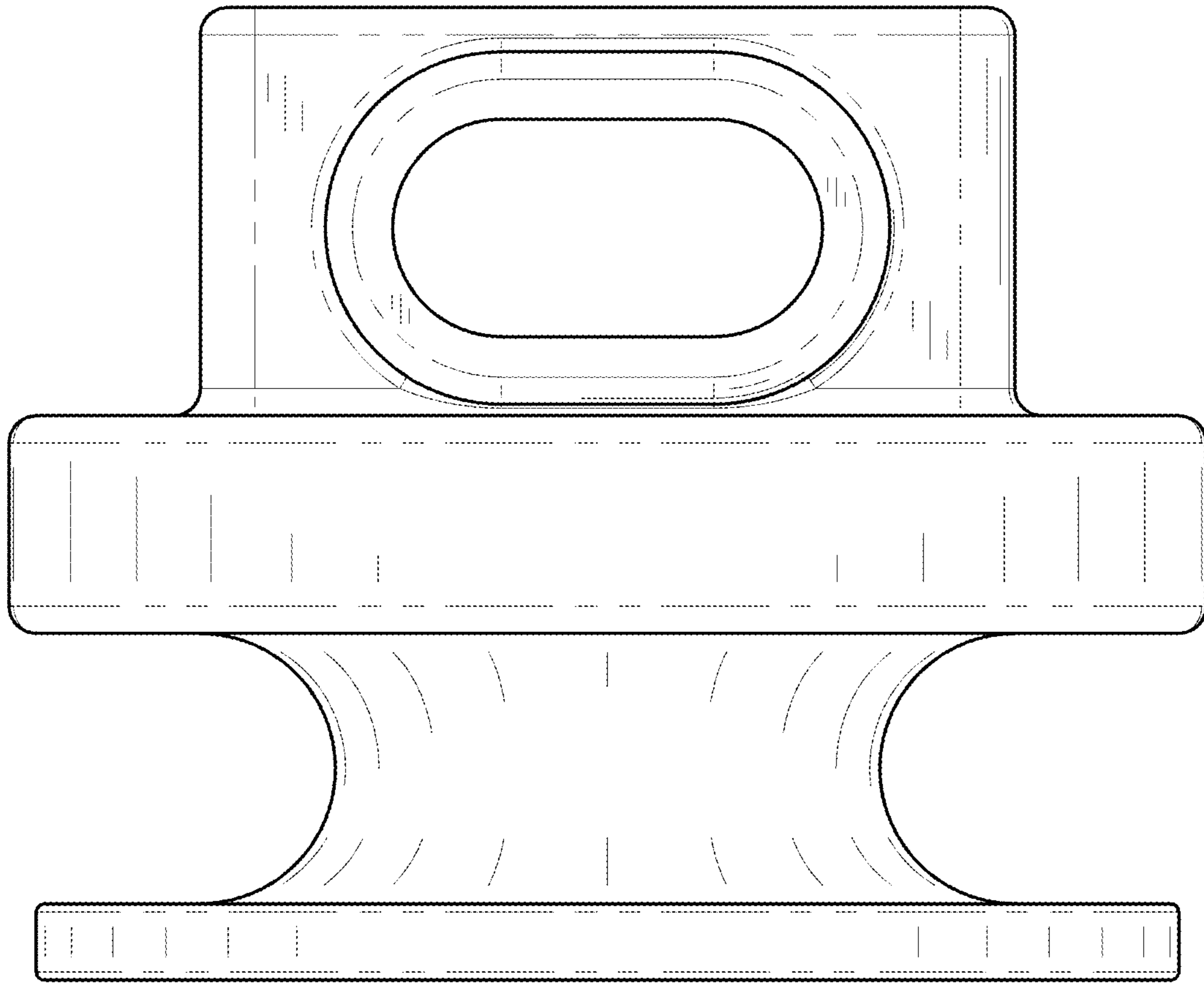


FIG. 6



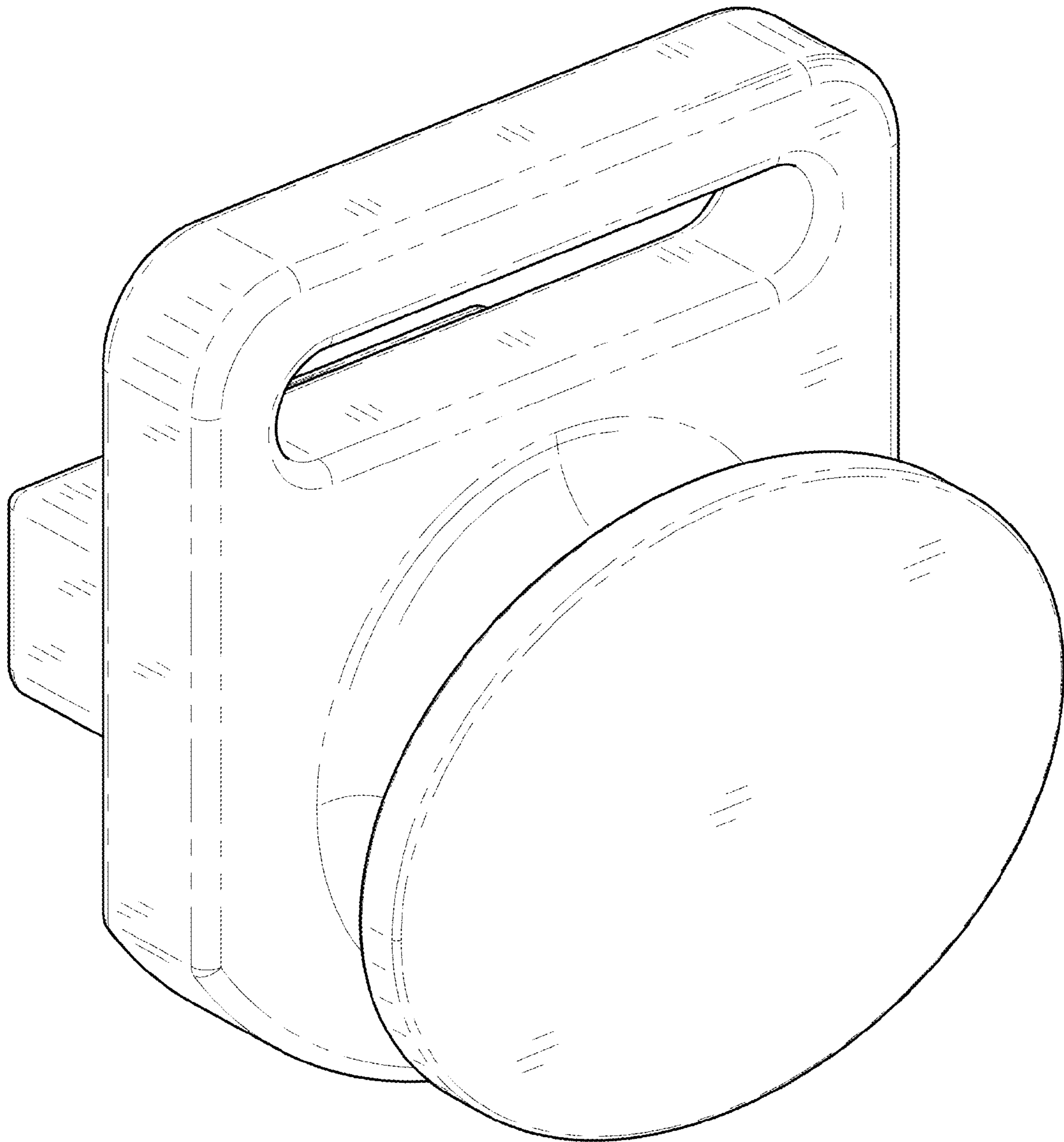


FIG. 7

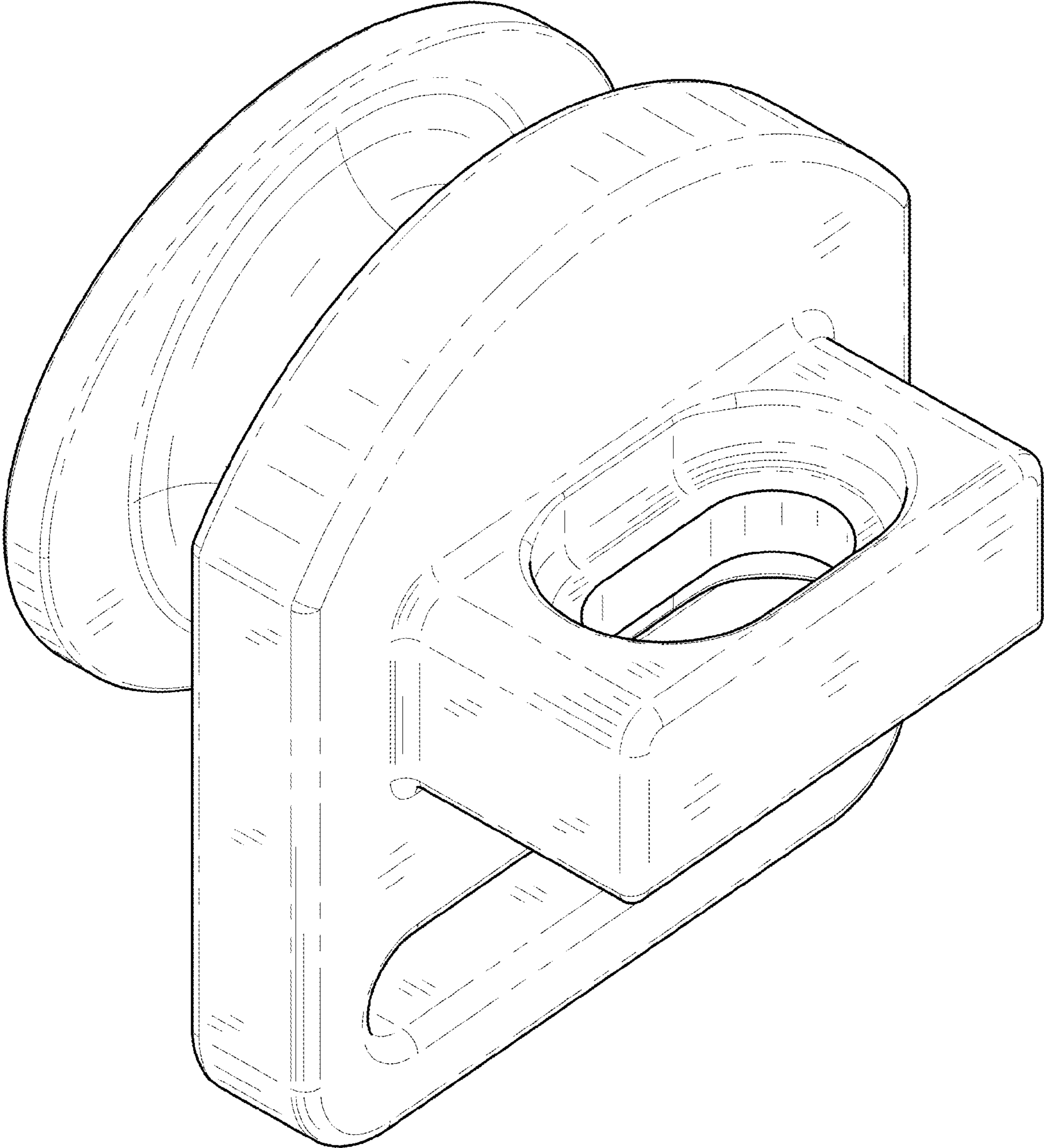


FIG. 8