



US00D892958S

(12) **United States Design Patent** (10) **Patent No.:** **US D892,958 S**  
**Piper** (45) **Date of Patent:** **\*\* Aug. 11, 2020**

- (54) **BUSHING**
- (71) Applicant: **Neal Piper**, Huntington Beach, CA (US)
- (72) Inventor: **Neal Piper**, Huntington Beach, CA (US)
- (73) Assignee: **Aend Industries**, Huntington Beach, CA (US)

D341,145	S	*	11/1993	Esworthy	.....	D15/143
D357,030	S	*	4/1995	McKenna	.....	D15/143
D497,536	S	*	10/2004	Fujiwara	.....	D8/354
D498,134	S	*	11/2004	Fujiwara	.....	D8/354
D601,930	S	*	10/2009	Chen	.....	D12/114
7,635,816	B1	*	12/2009	Shemtov	.....	174/650
D620,847	S	*	8/2010	Andrews et al.	.....	D12/159
8,616,773	B2	*	12/2013	Thornhill	.....	384/215
2003/0098553	A1	*	5/2003	Fan	.....	280/11.18
2008/0163453	A1	*	7/2008	Joseph	.....	16/2.1
2013/0270781	A1	*	10/2013	Kuyt	.....	

- (\*\*) Term: **15 Years**
- (21) Appl. No.: **29/535,082**
- (22) Filed: **Aug. 3, 2015**

**Related U.S. Application Data**

- (63) Continuation of application No. 29/420,943, filed on May 15, 2012, now abandoned.
- (51) **LOC (12) Cl.** ..... **21-02**
- (52) **U.S. Cl.**  
USPC ..... **D21/779**
- (58) **Field of Classification Search**  
USPC ..... D21/760, 763, 764, 765, 771, 779;  
D12/111, 207, 400, 114; D8/354, 358;  
D15/138, 143  
CPC ... A63C 17/012; A63C 17/01; A63C 17/0093;  
A63C 17/015; A63C 17/014; A63C  
17/0046; A63C 17/04; A63C 2203/42;  
A63C 17/00; A63C 17/1418; A63C  
17/226; A63C 2201/02; A63C 17/017  
See application file for complete search history.

(56) **References Cited**

**U.S. PATENT DOCUMENTS**

3,009,747	A	*	11/1961	Pitzer	.....	384/272
3,053,588	A	*	9/1962	Abel	.....	384/286
4,047,725	A	*	9/1977	Pinchock	.....	280/11.28
D252,693	S	*	8/1979	Brawner	.....	D21/779
4,898,398	A	*	2/1990	Cassel	.....	280/87.042

**OTHER PUBLICATIONS**

Bones Wheels HardCore Bushings, reviewed Aug. 2010, [online], [site visited Oct. 6, 2016]. Available from Internet, <URL:https://www.amazon.com/BONES-Wheels-HardCore-Bushings-White/product-reviews/B003PBZA10/ref=cm\_cr\_arp\_d\_paging\_btm\_17?ie=UTF8&showViewpoints=1&sortBy=recent&pageNumber=17>.\*

(Continued)

*Primary Examiner* — Jennifer L Watkins  
(74) *Attorney, Agent, or Firm* — Rutan & Tucker LLP;  
Hani Z. Sayed

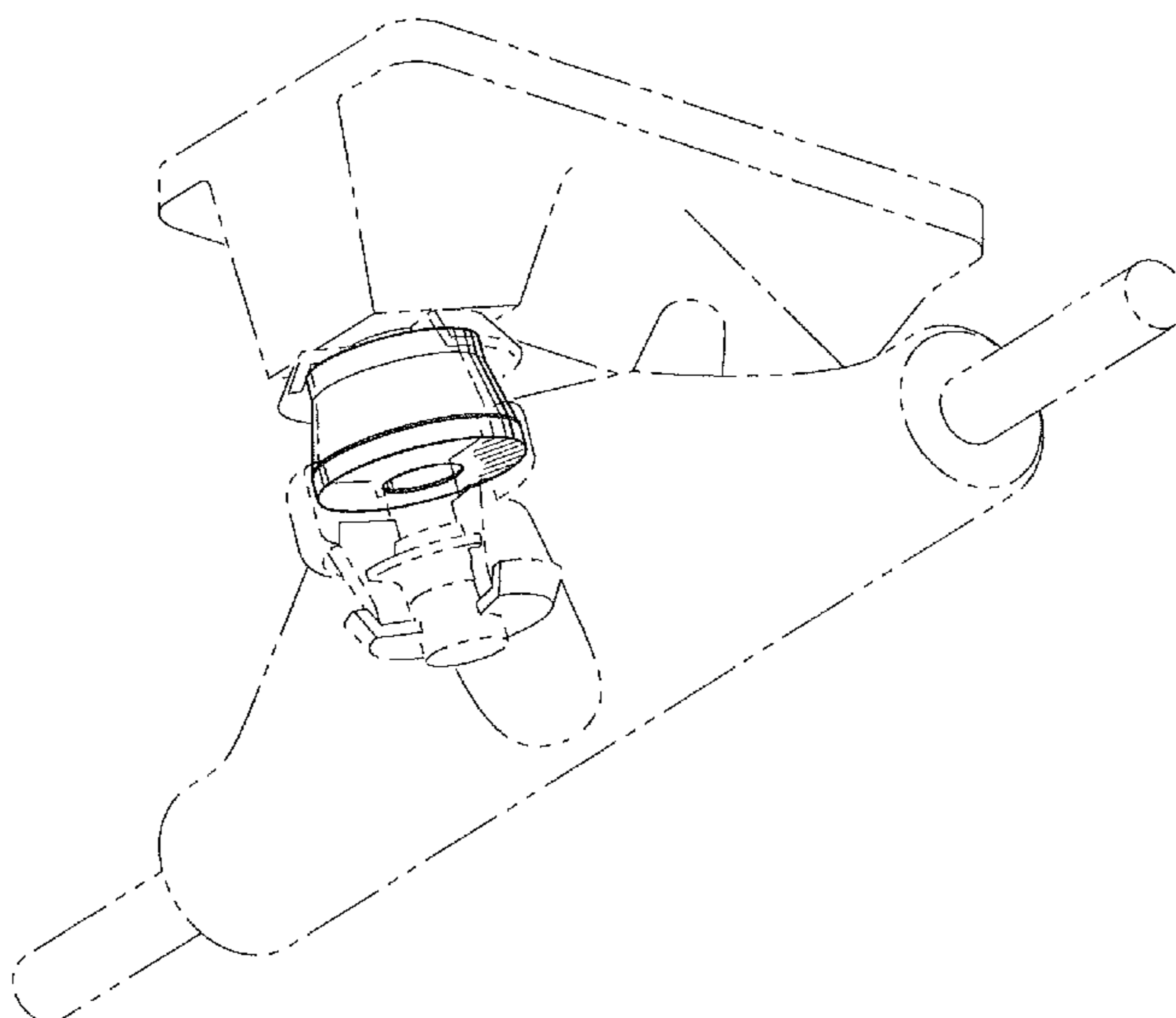
(57) **CLAIM**

The ornamental design for a bushing, as shown and described.

**DESCRIPTION**

FIG. 1 is a perspective view of a bushing of the present invention;  
FIG. 2 is a top, front perspective view;  
FIG. 3 is a top plane view;  
FIG. 4 is a bottom plane view; and,  
FIG. 5 is a front perspective view.  
The broken line showing is included for the purpose of illustrating environmental structure and forms no part of the claimed design.

**1 Claim, 2 Drawing Sheets**



(56)

**References Cited**

OTHER PUBLICATIONS

Bones Hardcore Bushings, advertised Oct. 27, 2010, [online], [site visited Oct. 2016 on Wayback Machine]. Available from Internet <URL: <http://web.archive.org/web/20101027023833/http://bones.com/products/fall-2010/bushings/medium-2/>>.\*

Bones Hardcore Bushings, Oct. 2010, [online], [site visited Mar. 7, 2014]. Available from Internet, <URL: <http://web.archive.org/web/20101027061228/http://bones.com/products/fall-2010/bushings/hard-2/>>.\*

\* cited by examiner

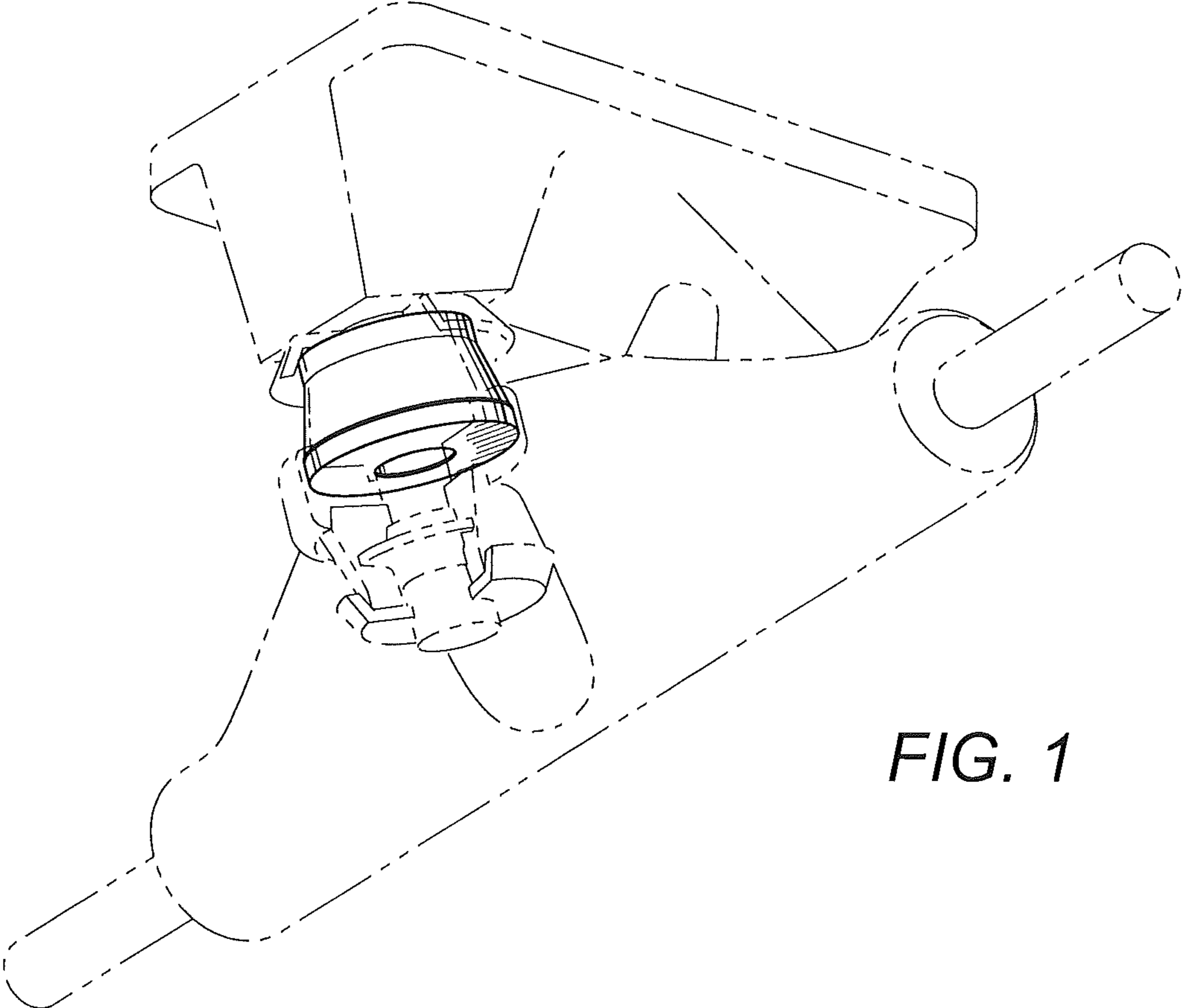
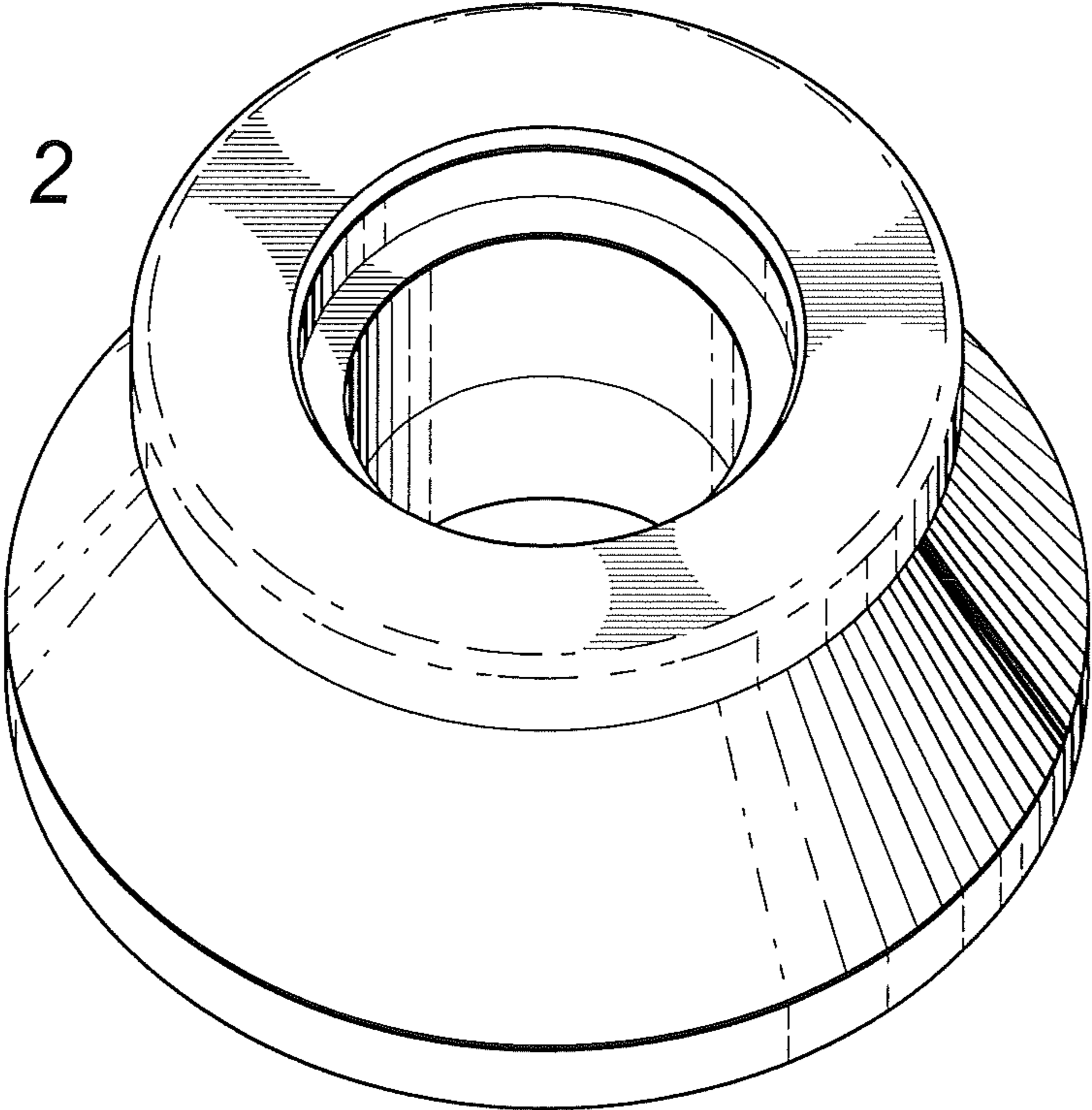


FIG. 2



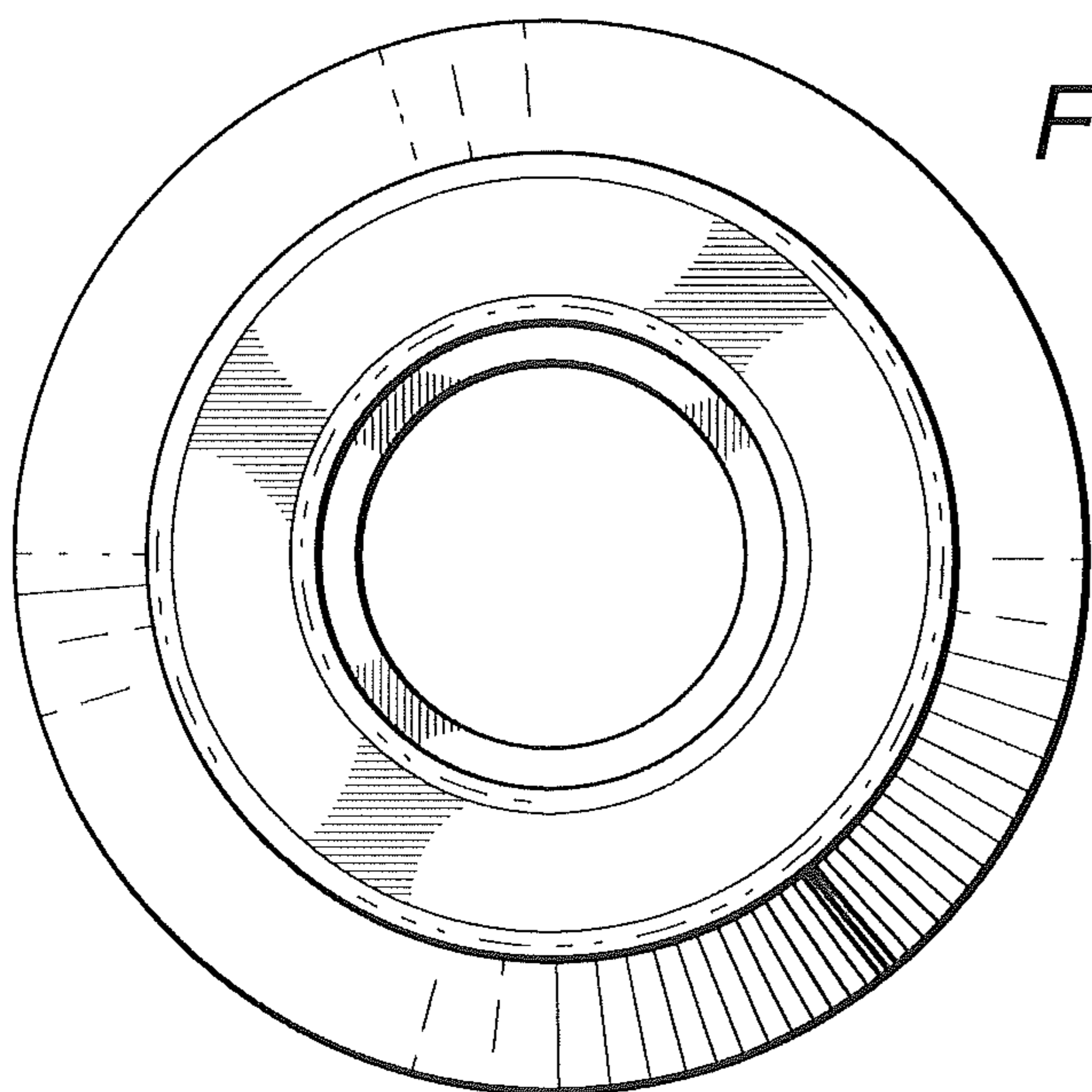


FIG. 3

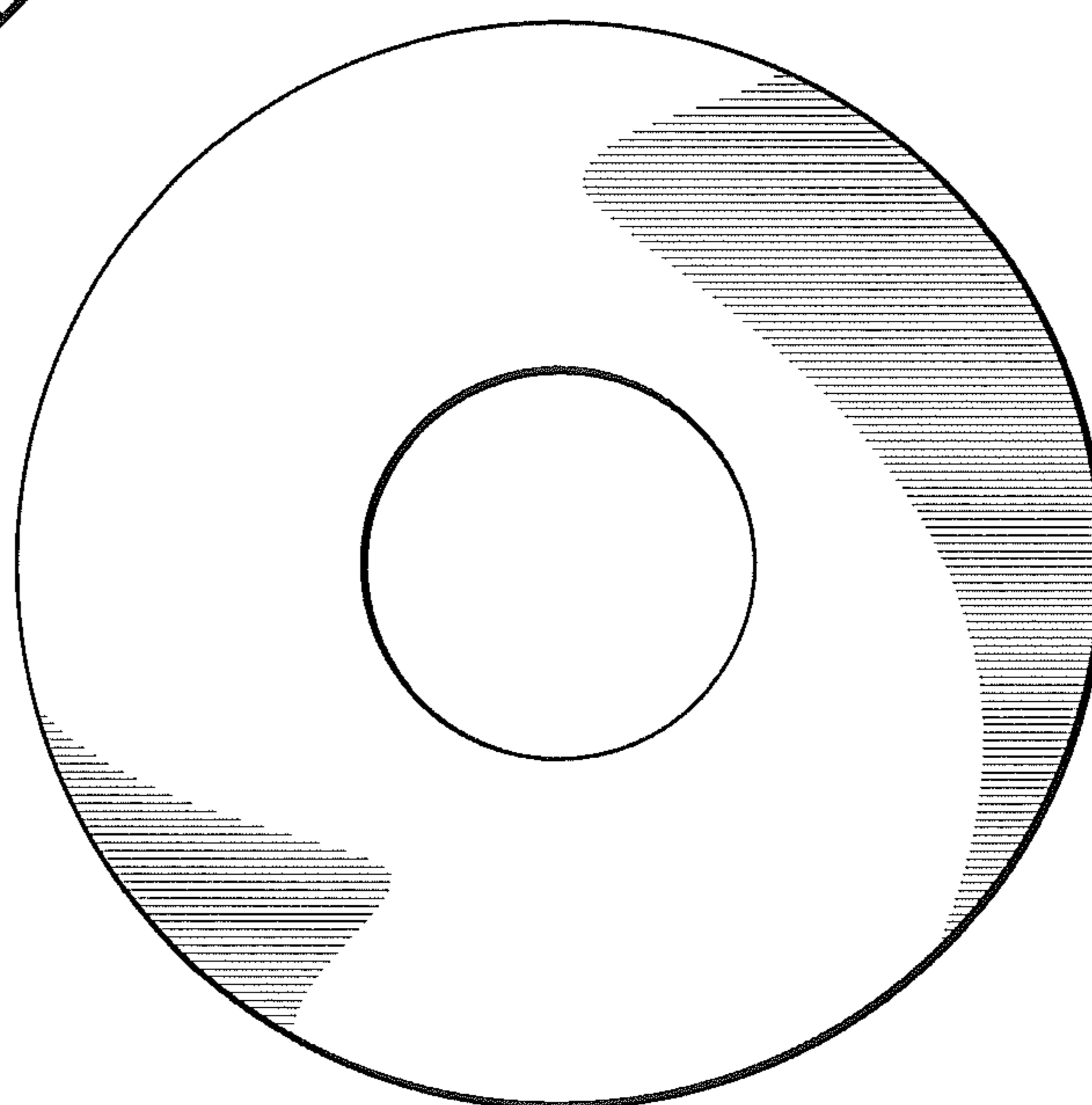


FIG. 4

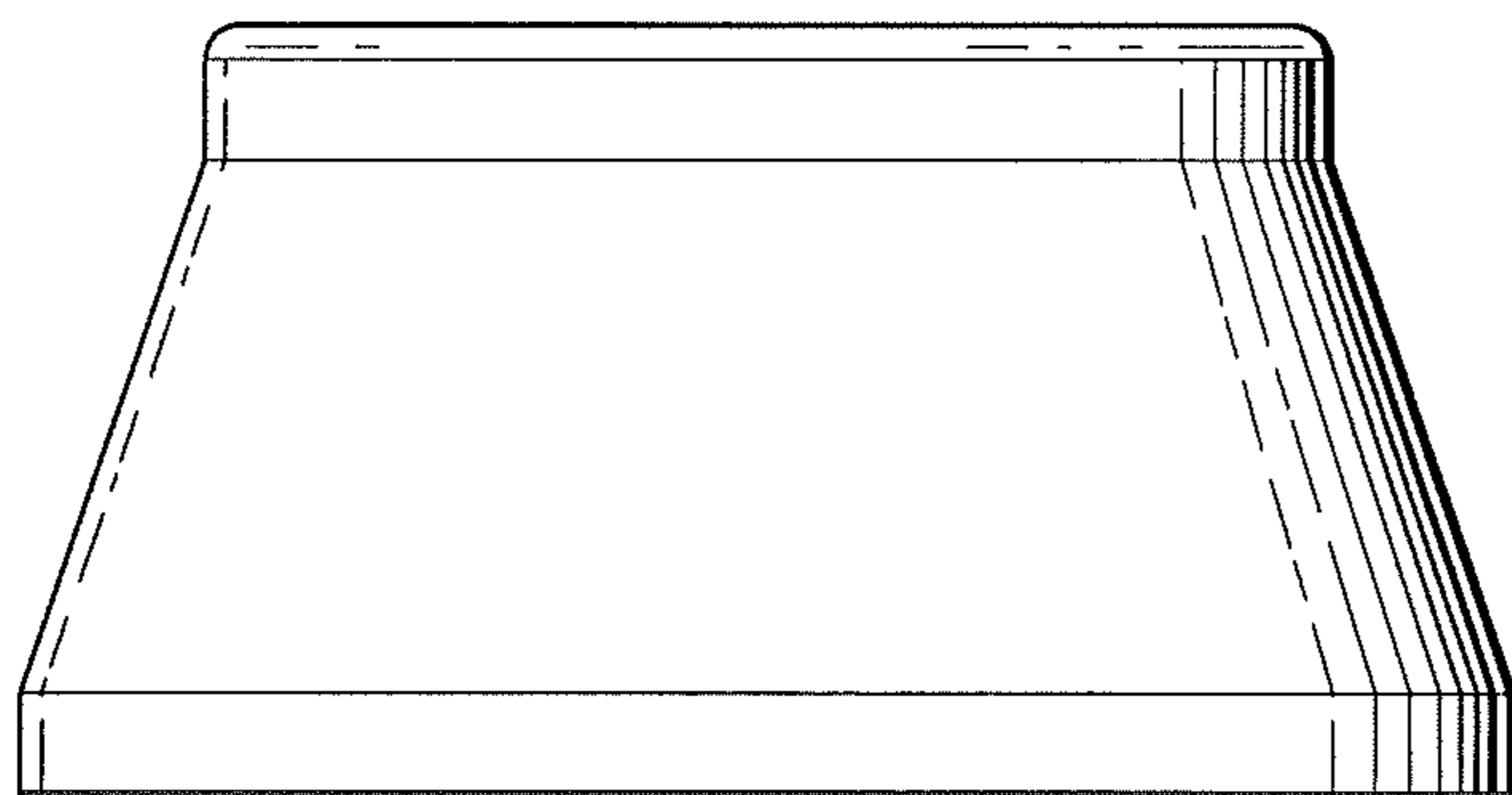


FIG. 5