



US00D892956S

(12) **United States Design Patent**
Clarke et al.

(10) **Patent No.:** **US D892,956 S**
(45) **Date of Patent:** **** Aug. 11, 2020**

(54) **GOLF CLUB HEAD**

FOREIGN PATENT DOCUMENTS

(71) Applicant: **KARSTEN MANUFACTURING CORPORATION**, Phoenix, AZ (US)

JP 1497281 S 4/2014

(72) Inventors: **Jacob T. Clarke**, Phoenix, AZ (US);
David A. Higdon, Cave Creek, AZ (US)

OTHER PUBLICATIONS

Jim Herity, Equipment New Looks, vol. 60, Golf Digest, p. 68, (2009).

(73) Assignee: **Karsten Manufacturing Corporation**, Phoenix, AZ (US)

Primary Examiner — Mitchell I. Siegel

(**) Term: **15 Years**

(57) **CLAIM**

The ornamental design for a golf club head, as shown and described.

(21) Appl. No.: **29/677,177**

(22) Filed: **Jan. 17, 2019**

DESCRIPTION

(51) **LOC (12) Cl.** **21-02**

(52) **U.S. Cl.**
USPC **D21/744**

(58) **Field of Classification Search**
USPC D21/736–746, 759
CPC A63B 53/00; A63B 53/04; A63B 53/007;
A63B 53/065; A63B 53/0487; A63B
60/00; A63B 60/46

See application file for complete search history.

FIG. 1 is a top perspective view of a golf club head;
FIG. 2 is a bottom perspective view of the golf club head of FIG. 1;
FIG. 3 is a top view of the golf club head of FIG. 1;
FIG. 4 is a bottom view of the golf club head of FIG. 1;
FIG. 5 is a front view of the golf club head of FIG. 1;
FIG. 6 is a rear view of the golf club head of FIG. 1;
FIG. 7 is a heel side view of the golf club head of FIG. 1;
FIG. 8 is a toe side view of the golf club head of FIG. 1;
FIG. 9 is a top perspective view of another embodiment of a golf club head;
FIG. 10 is a bottom perspective view of the golf club head of FIG. 9;
FIG. 11 is a top view of the golf club head of FIG. 9;
FIG. 12 is a bottom view of the golf club head of FIG. 9;
FIG. 13 is a front view of the golf club head of FIG. 9;
FIG. 14 is a rear view of the golf club head of FIG. 9;
FIG. 15 is a heel side view of the golf club head of FIG. 9;
and,
FIG. 16 is a toe side view of the golf club head of FIG. 9.
The broken line showing is included for the purpose of illustrating unclaimed subject matter and forms no part of the claimed design.

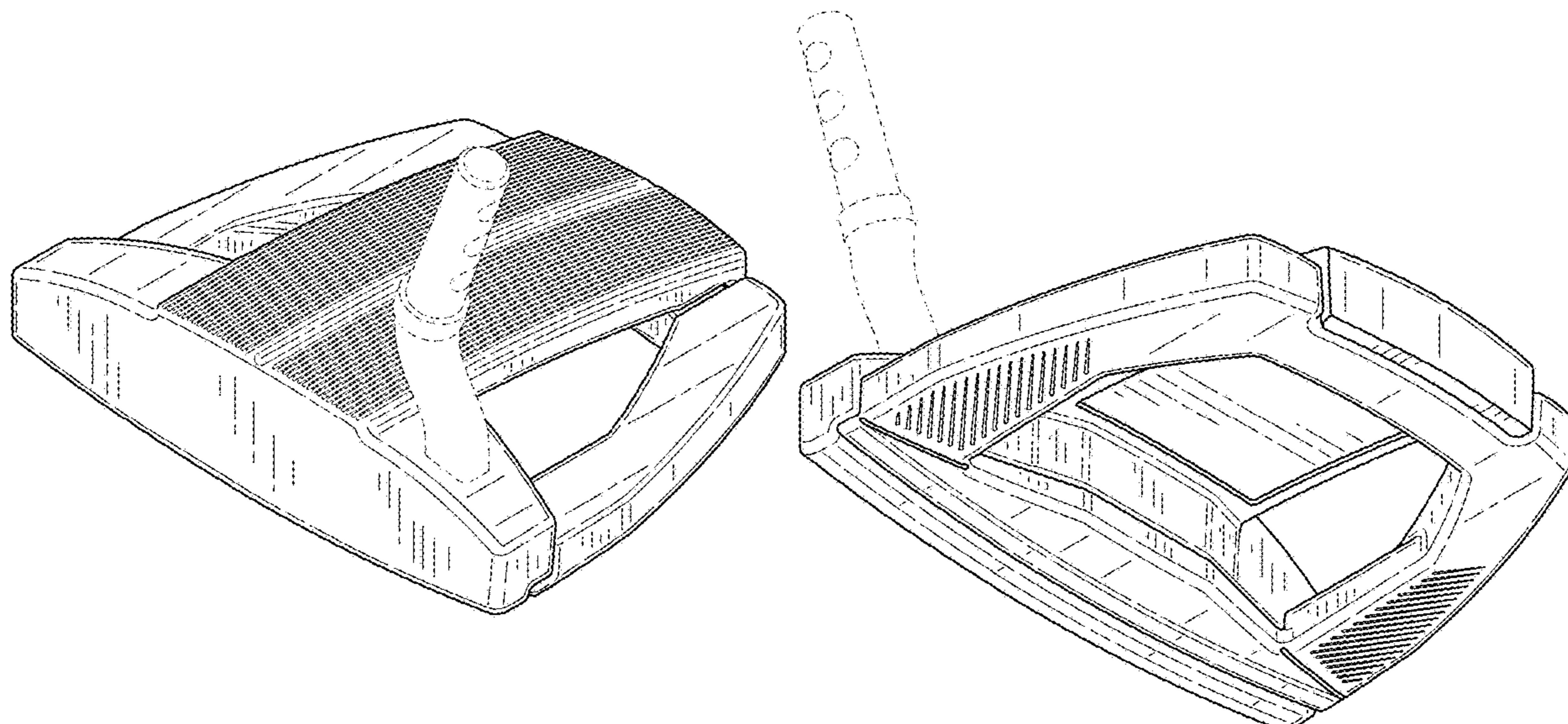
(56) **References Cited**

U.S. PATENT DOCUMENTS

D316,129 S	4/1991	Bryson
D375,131 S	10/1996	Williams
D399,900 S	10/1998	Hogan
6,379,259 B1	4/2002	Opie
D488,526 S	4/2004	Souza
D496,417 S	9/2004	Tang
D500,109 S	12/2004	Solheim
D500,110 S	12/2004	Solheim
6,837,801 B1	1/2005	Souza
6,878,071 B1	4/2005	Schweiger
6,893,355 B2	5/2005	Souza
6,902,496 B2	6/2005	Solheim

(Continued)

1 Claim, 10 Drawing Sheets



(56)

References Cited

U.S. PATENT DOCUMENTS

D507,612 S	7/2005	Souza	D621,458 S	8/2010	Serrano	
6,926,615 B1	8/2005	Souza	D621,460 S	8/2010	Serrano	
6,960,140 B2	11/2005	Solheim	D621,461 S	8/2010	Serrano	
6,966,845 B2	11/2005	Solheim	D621,462 S	8/2010	Serrano	
D520,584 S	5/2006	Karlsen	D621,891 S	8/2010	Serrano	
D521,582 S	5/2006	Souza	7,803,066 B2	9/2010	Solheim	
7,052,411 B2	5/2006	Solheim	D638,891 S	5/2011	Nicolette	
D522,598 S	6/2006	Solheim	D643,080 S	8/2011	Serrano	
7,077,758 B2	7/2006	Rohrer	D643,485 S	8/2011	Nicolette	
7,086,957 B2	8/2006	Solheim	D643,486 S	8/2011	Serrano	
D527,777 S	9/2006	Solheim	D643,487 S	8/2011	Serrano	
D529,108 S	9/2006	Stites	8,100,779 B2	1/2012	Solheim	
D533,243 S	12/2006	Fife, Jr.	D653,718 S *	2/2012	Stokke	D21/743
7,235,021 B2	6/2007	Solheim	8,109,838 B2	2/2012	Solheim	
D548,295 S	8/2007	Jertson	D664,617 S	7/2012	Serrano	
7,255,650 B2	8/2007	Bryant	D715,388 S *	10/2014	Serrano	D21/743
D552,197 S	10/2007	Wells	D750,186 S *	2/2016	Schweigert	D21/746
D565,137 S	3/2008	Oldknow	D774,607 S *	12/2016	Serrano	D21/743
D569,460 S *	5/2008	Walker	D774,610 S *	12/2016	Serrano	D21/744
7,374,497 B2	5/2008	Brown	D777,269 S *	1/2017	Becktor	D21/742
D571,879 S	6/2008	Jones et al.	D793,502 S *	8/2017	Cardani	D21/743
D574,907 S	8/2008	Jones et al.	D827,064 S *	8/2018	Wypych	D21/743
D581,473 S	11/2008	Thomas	D840,482 S *	2/2019	Serrano	D21/736
D583,003 S	12/2008	Solheim	D842,952 S *	3/2019	Schweigert	D21/743
D587,325 S	2/2009	Solheim	D848,562 S *	5/2019	Nicolette	D21/736
D594,073 S	6/2009	Kadoya	D852,911 S *	7/2019	Wang	D21/744
D600,760 S	9/2009	Serrano	D861,092 S *	9/2019	Glorioso	D21/743
D600,761 S	9/2009	Solheim	D864,325 S *	10/2019	Rollinson	D21/743
D600,762 S	9/2009	Serrano	D879,222 S *	3/2020	Serrano	D21/742
D607,950 S	1/2010	Souza	2006/0094533 A1	5/2006	Warren	
			2007/0191135 A1	8/2007	Nilsson	
			2010/0227704 A1	9/2010	Souza	

* cited by examiner

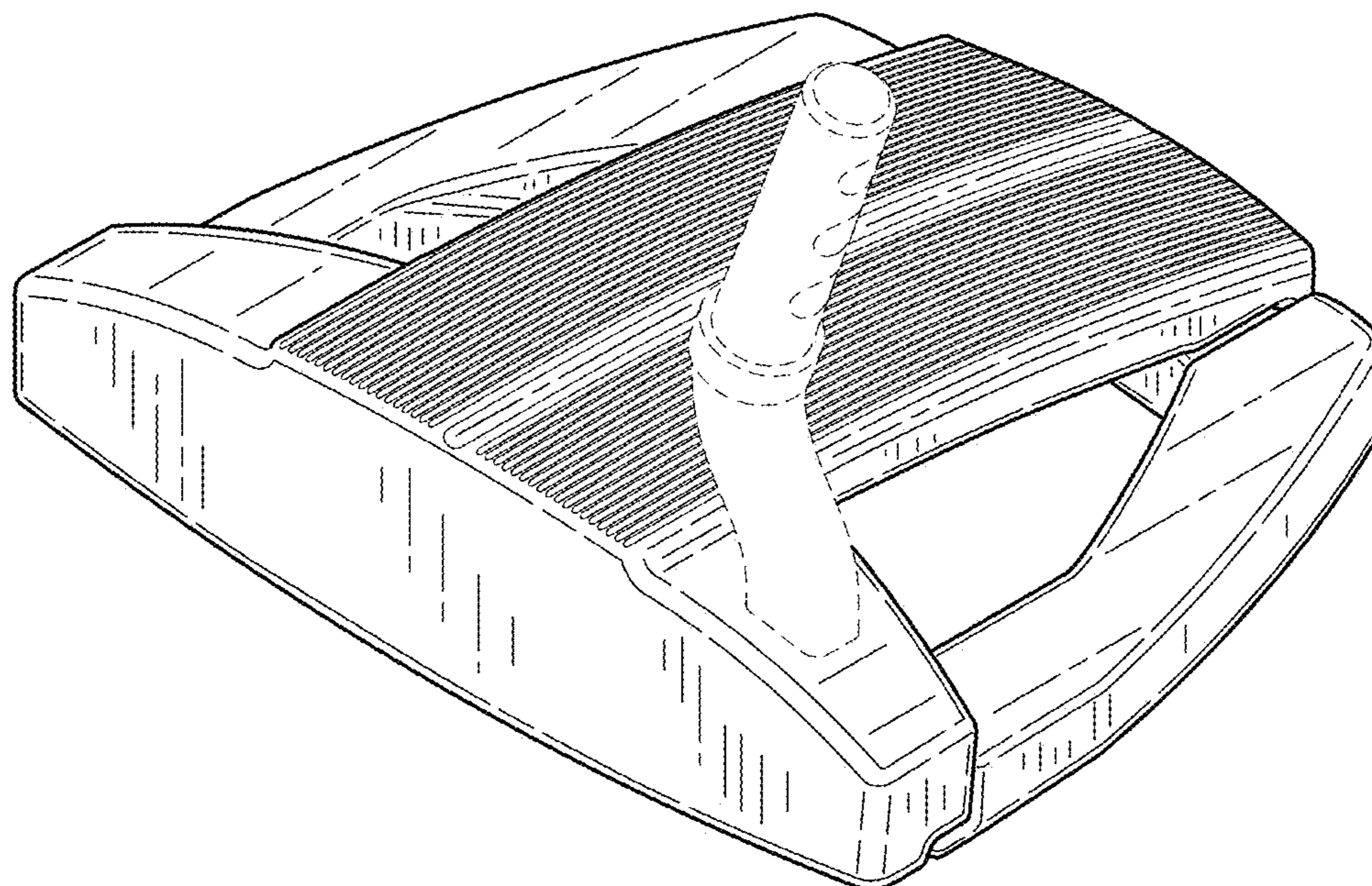


FIG. 1

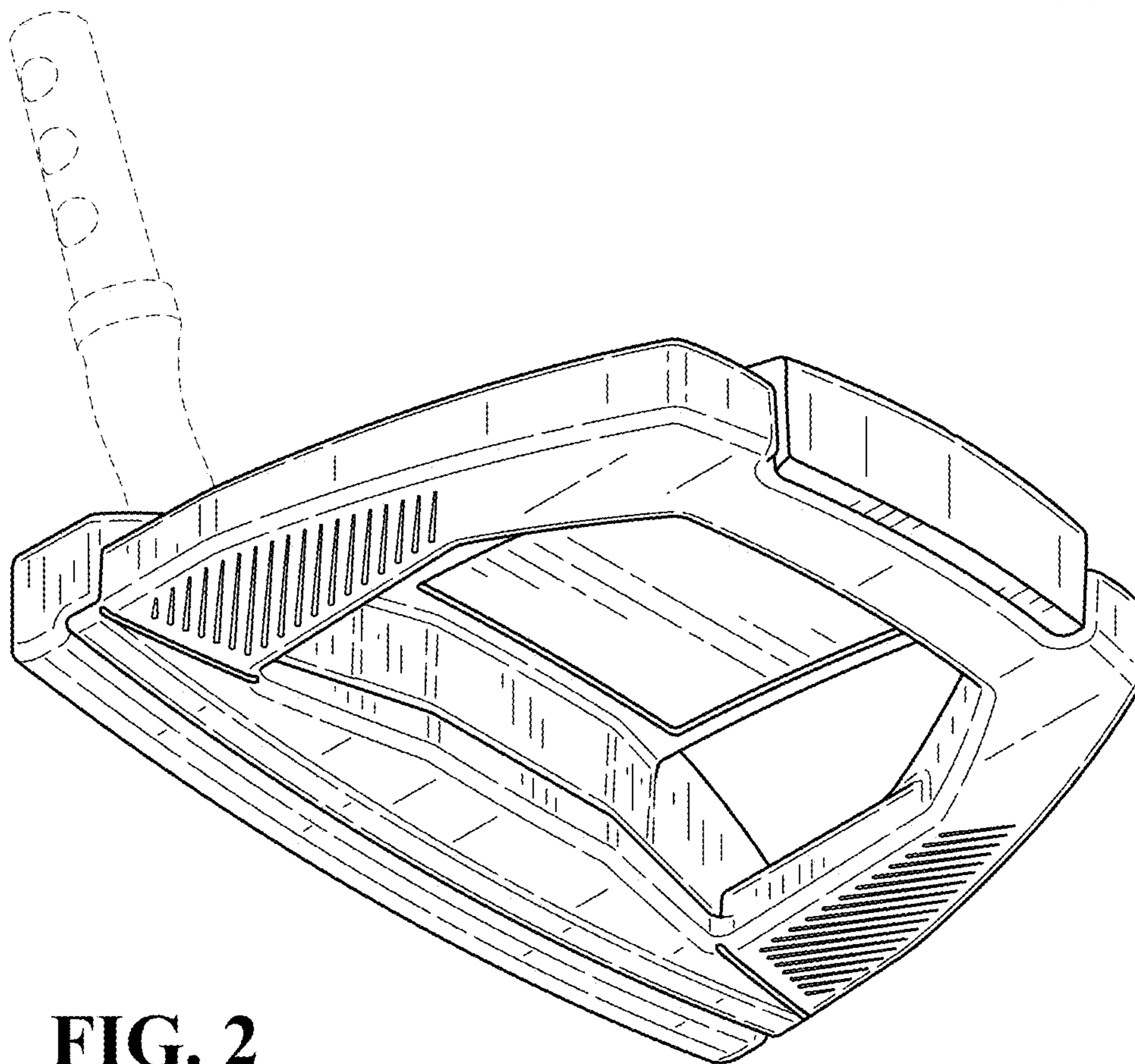


FIG. 2

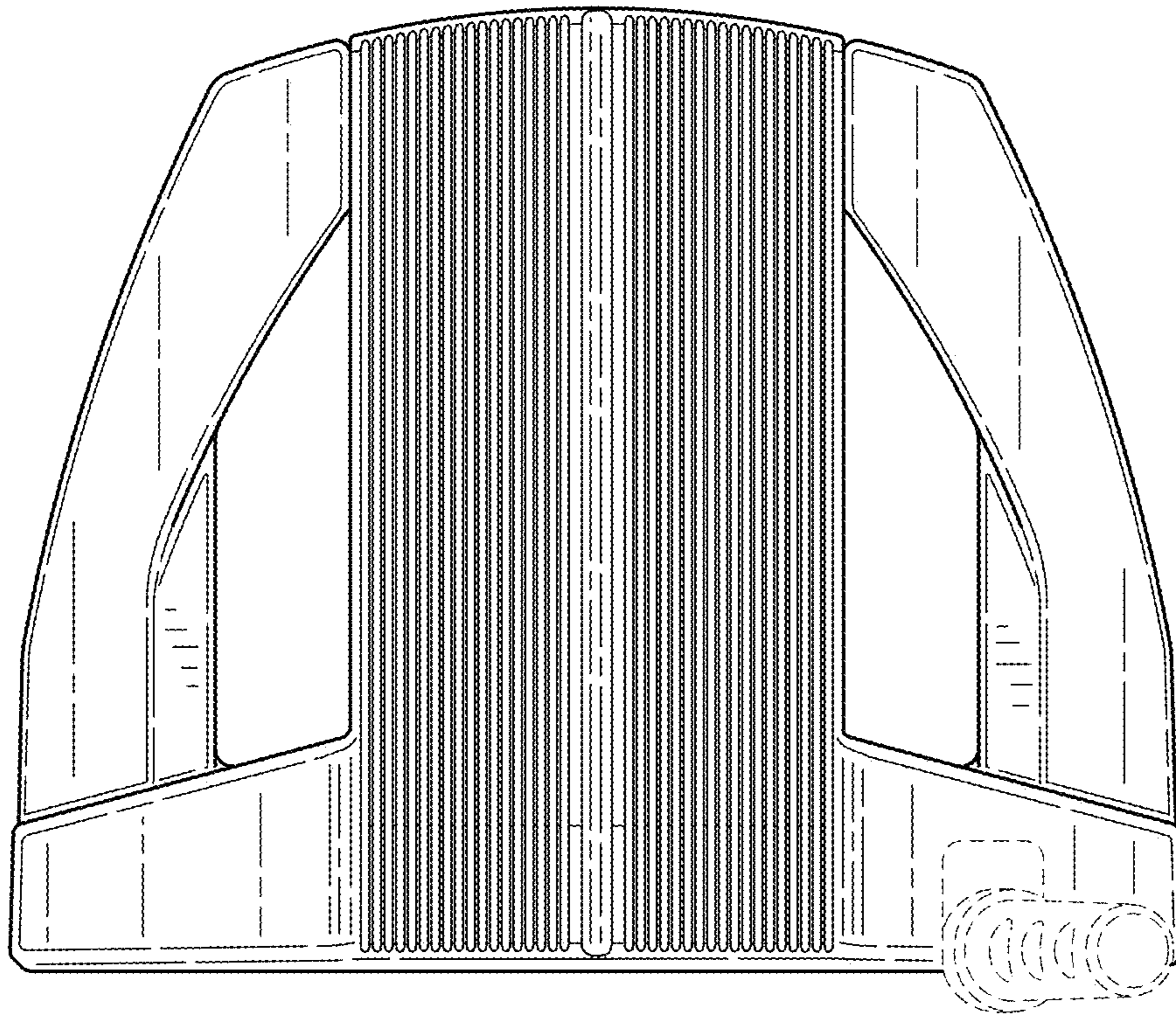


FIG. 3

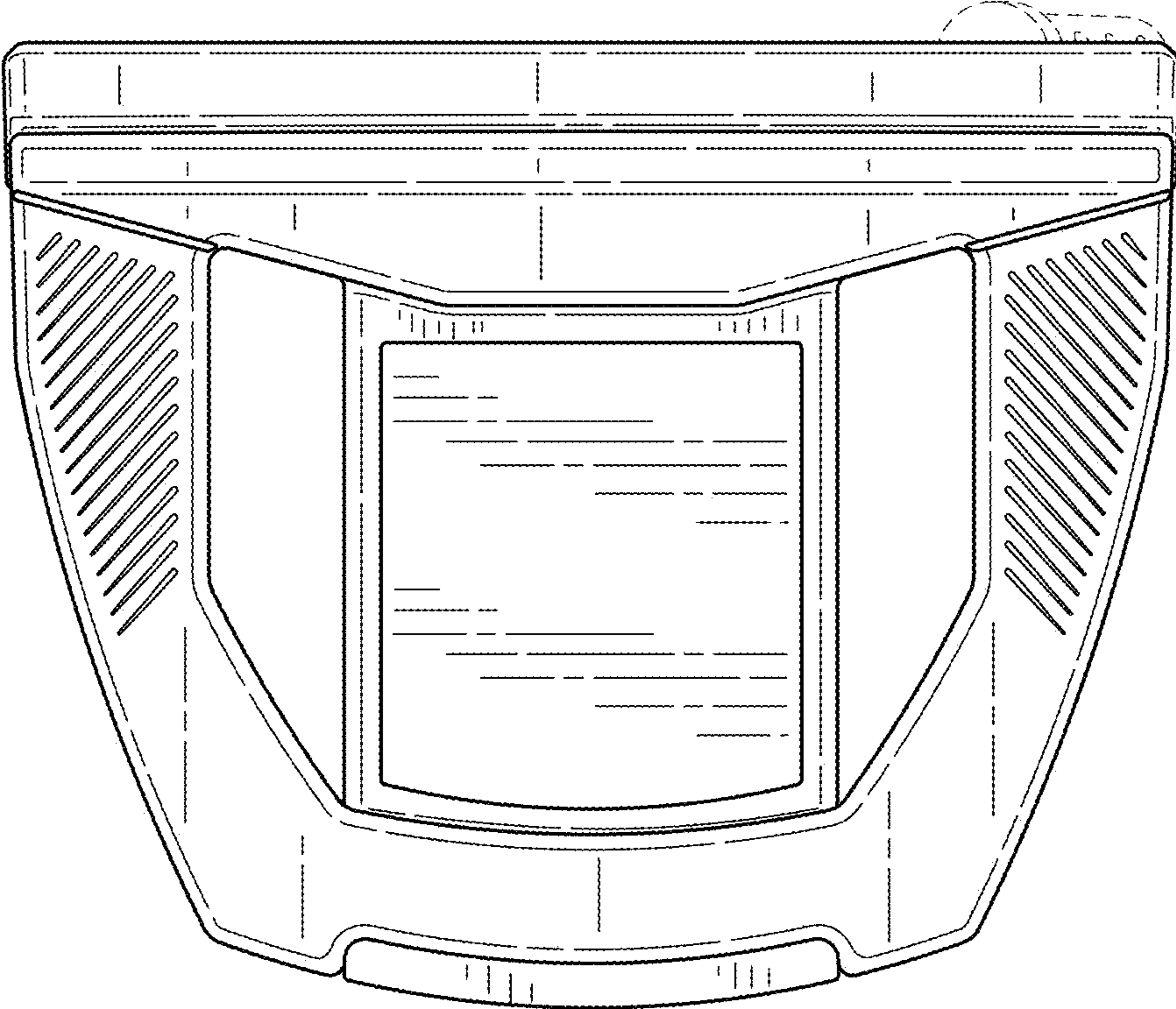


FIG. 4

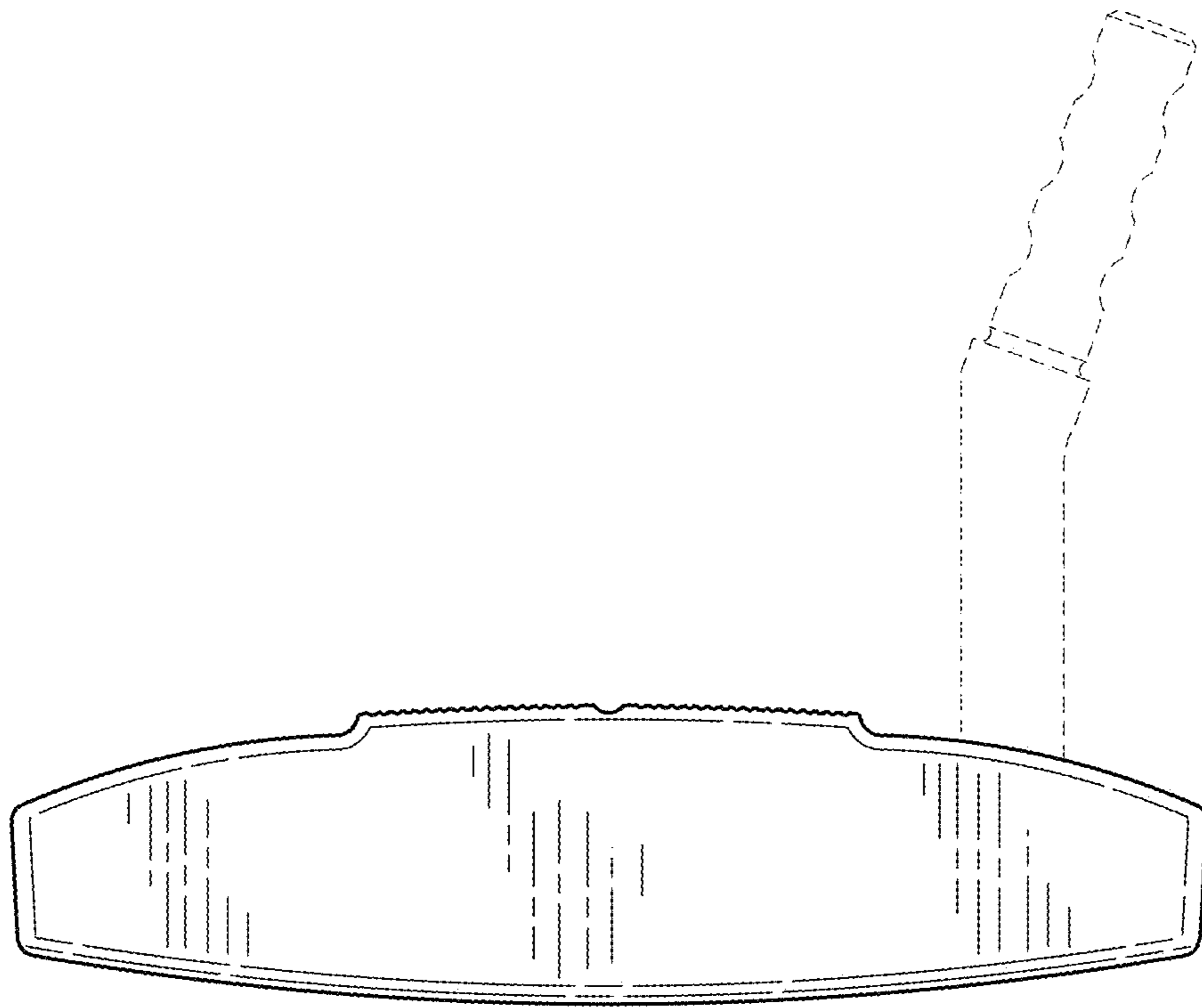


FIG. 5

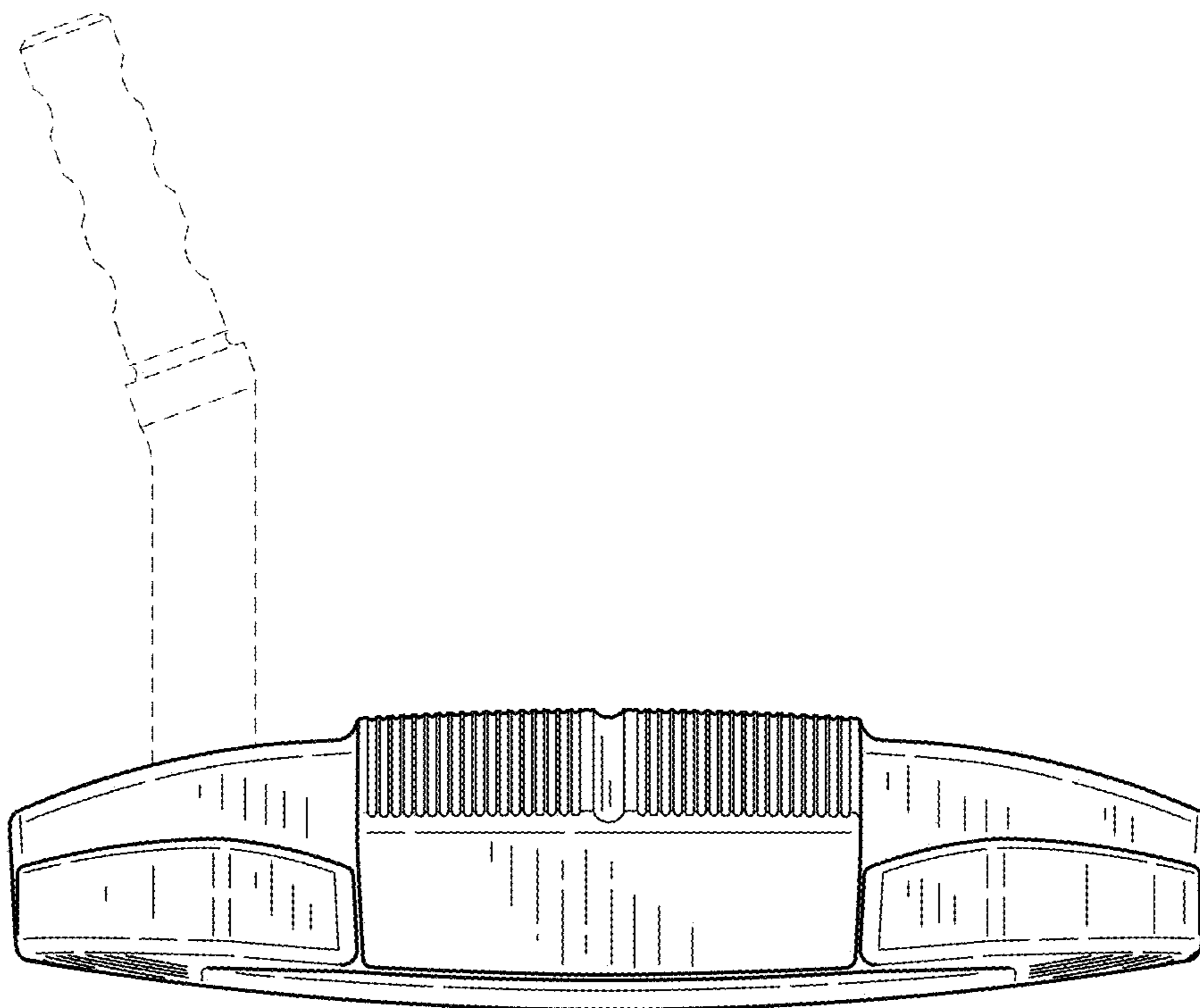


FIG. 6

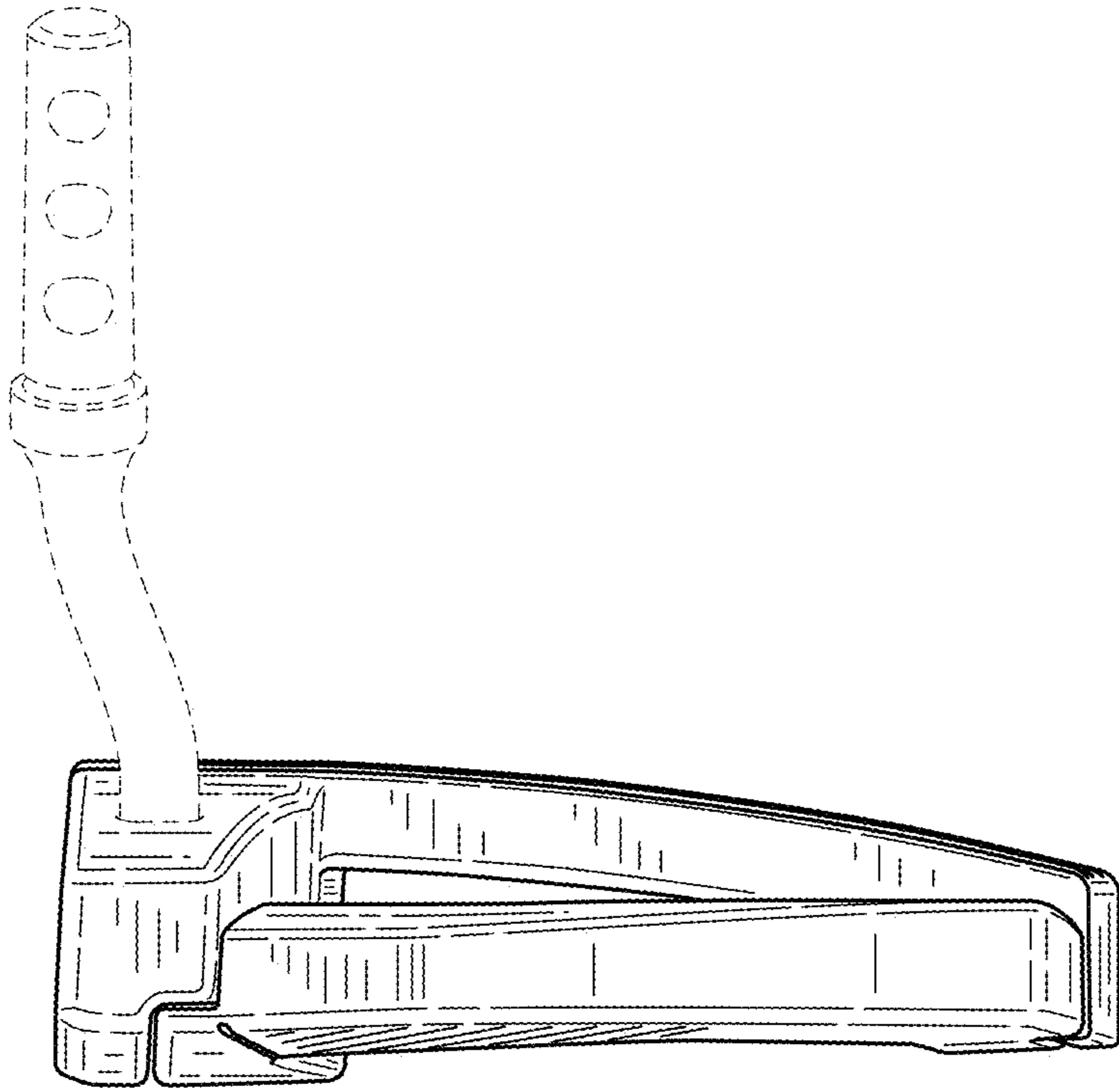


FIG. 7

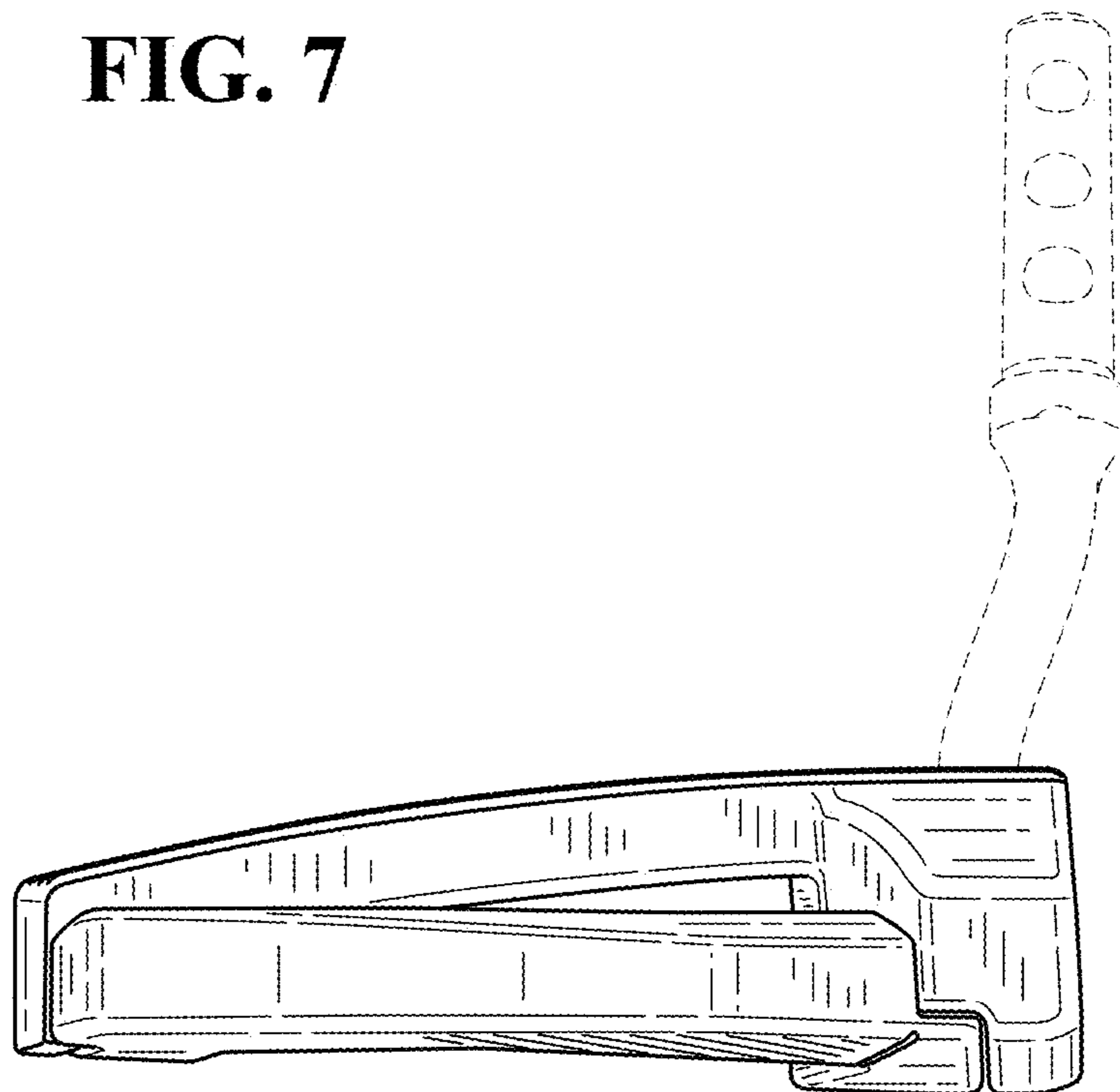


FIG. 8

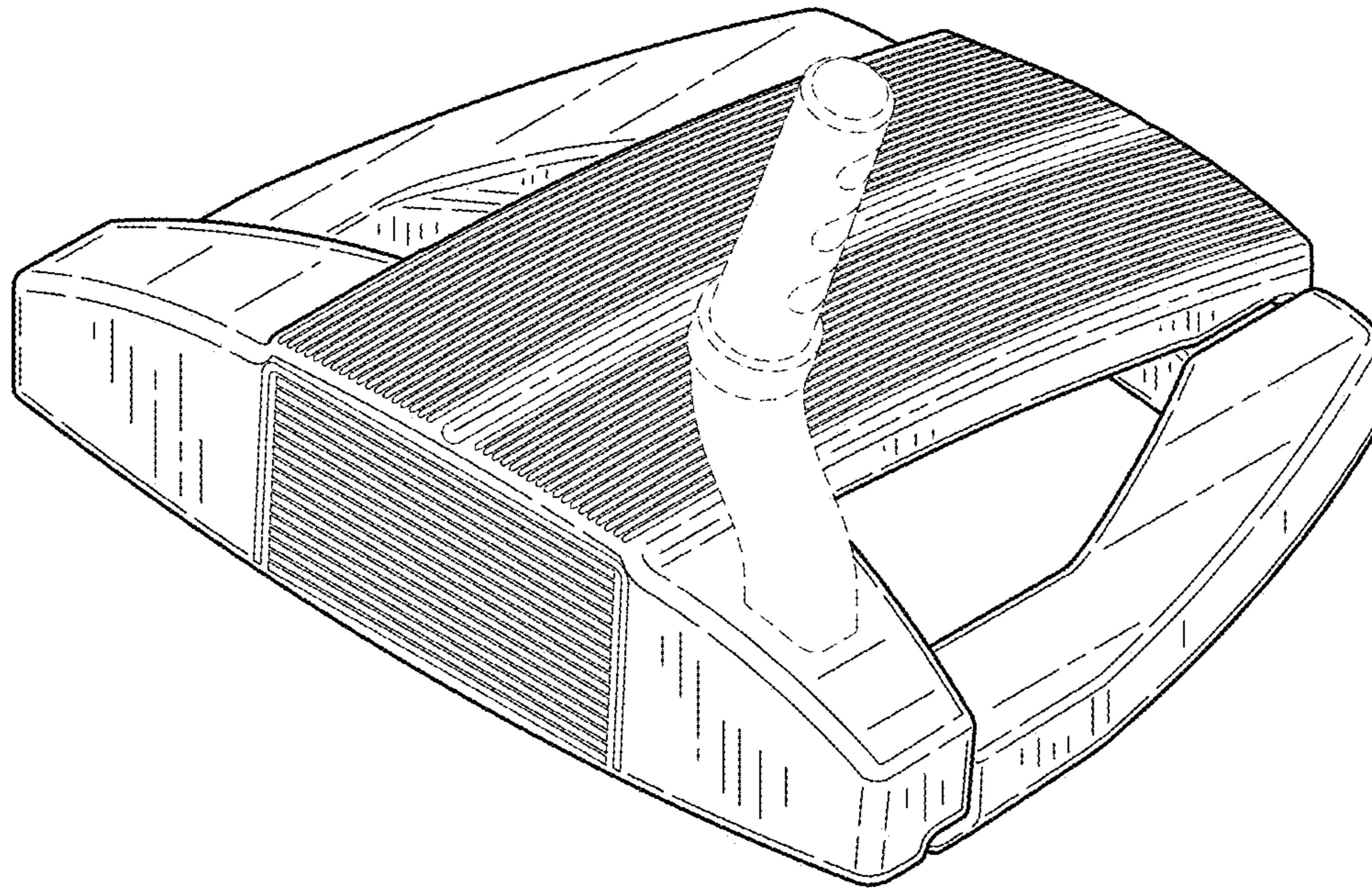


FIG. 9

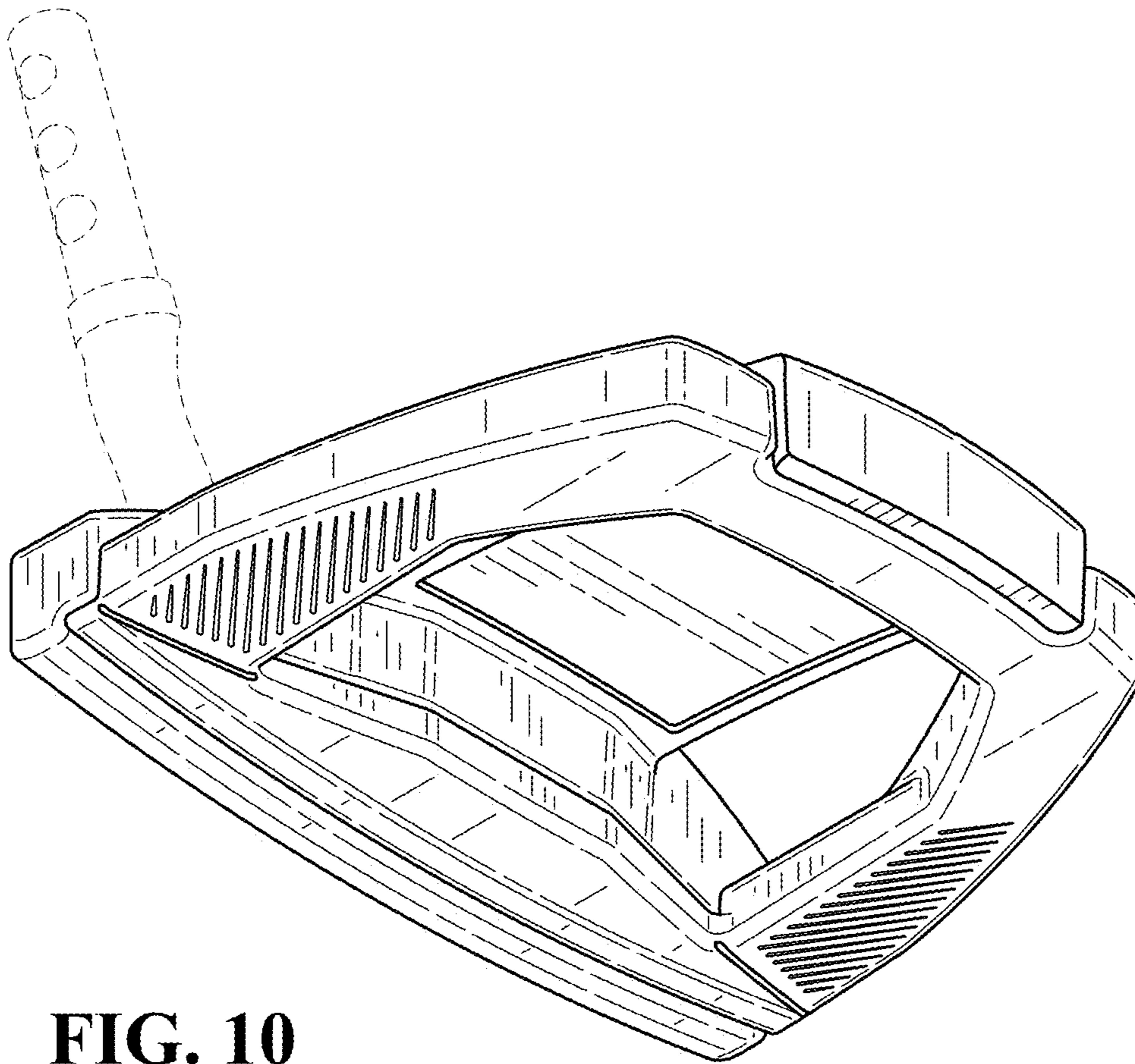


FIG. 10

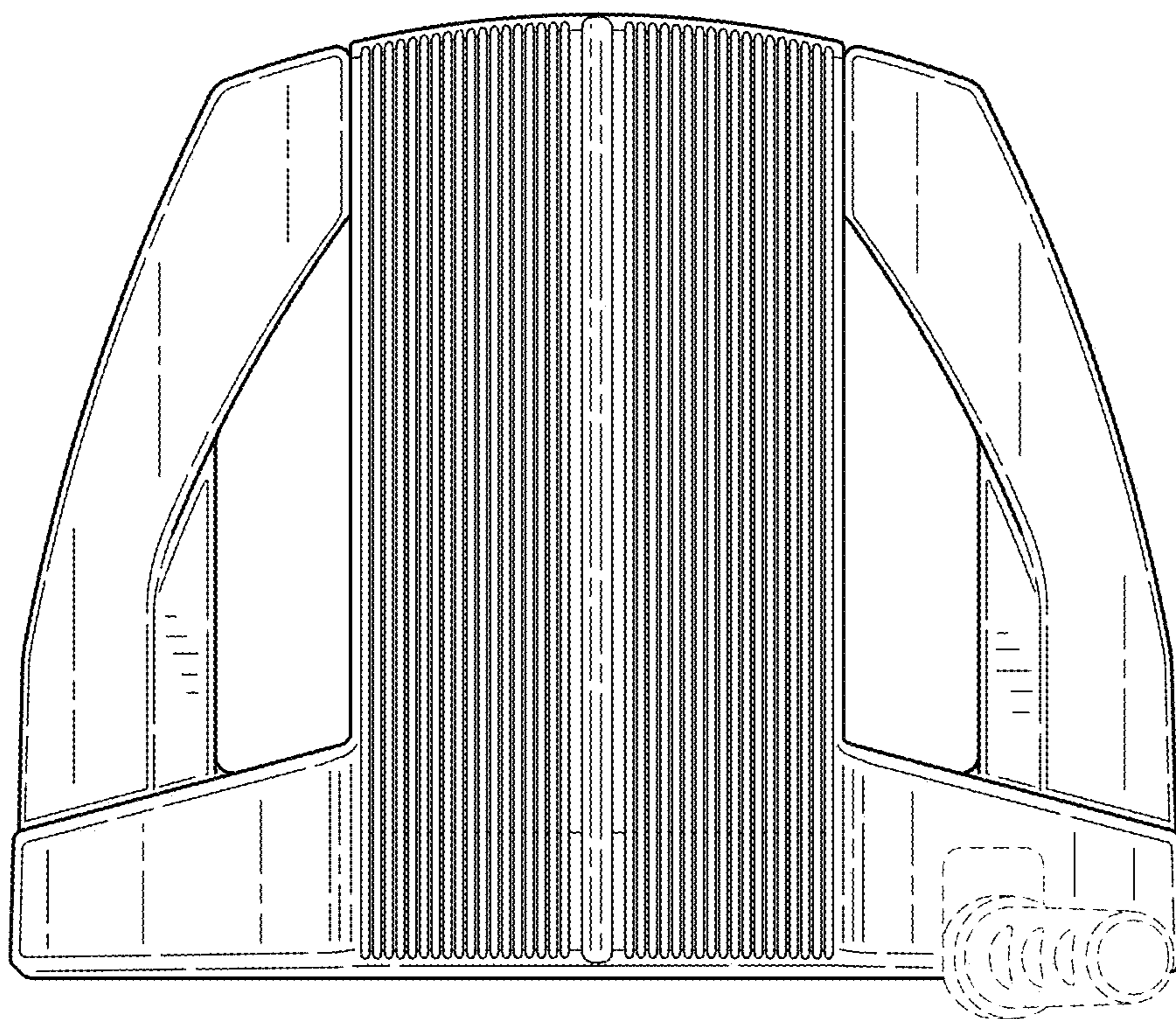


FIG. 11

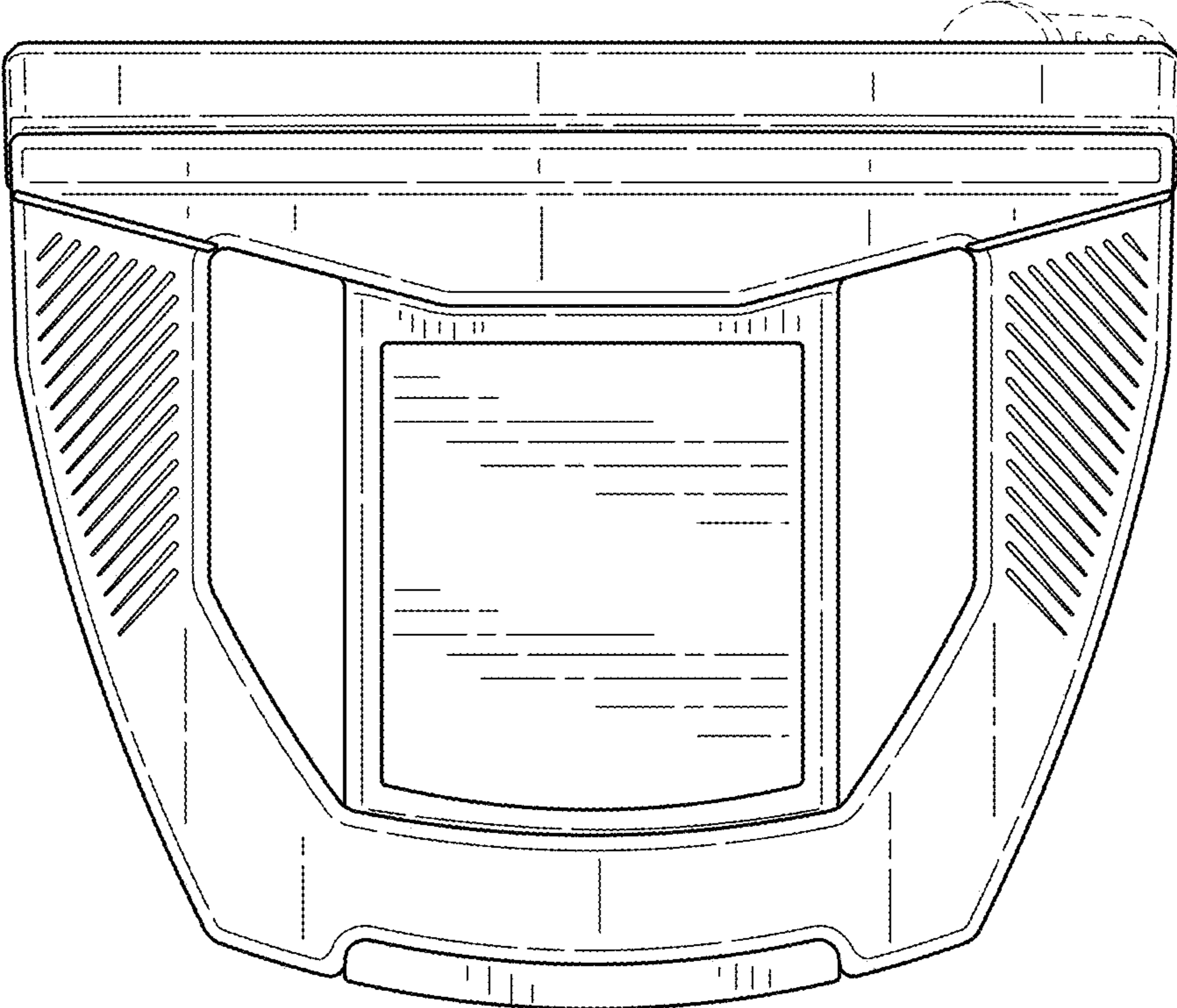


FIG. 12

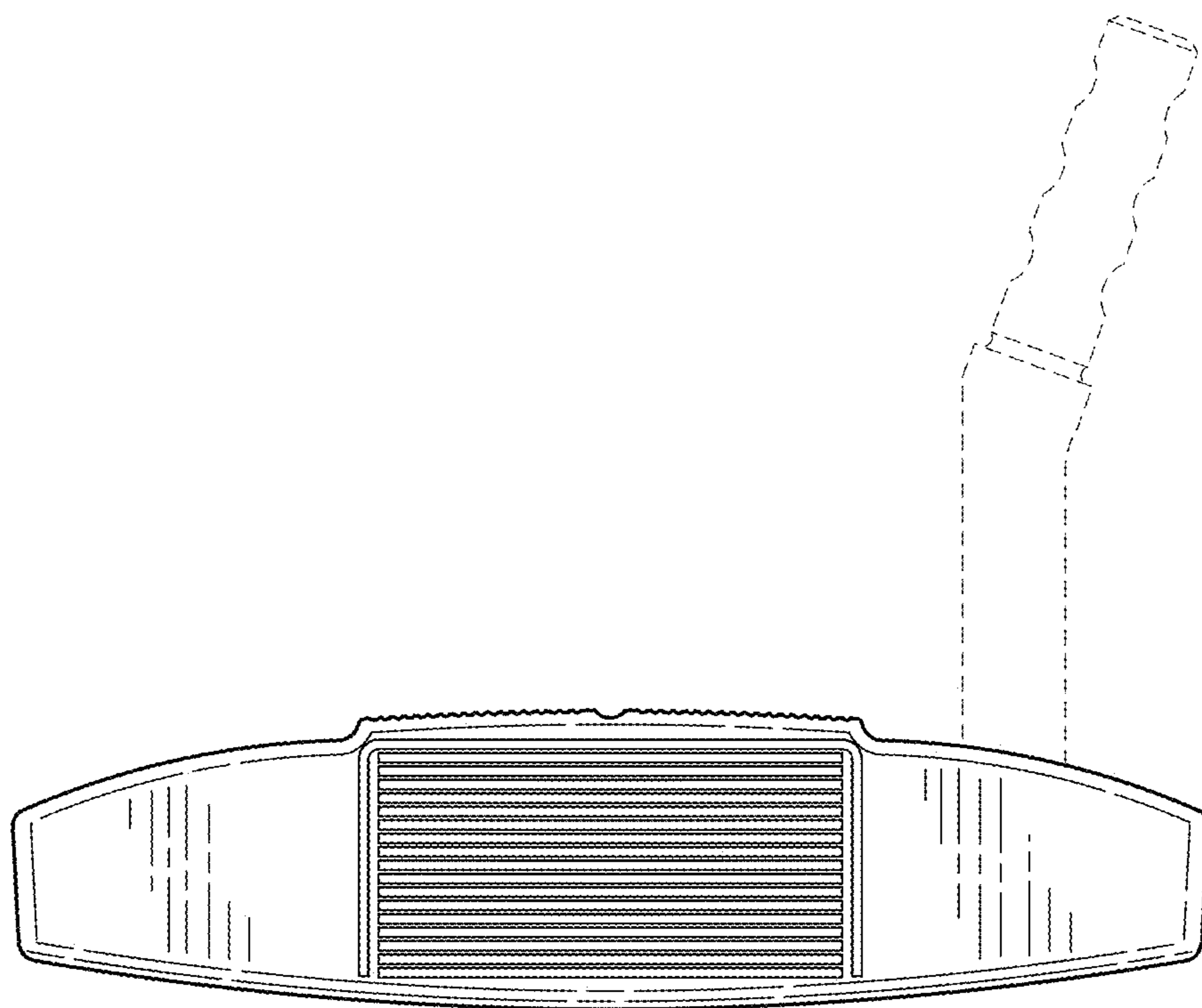


FIG. 13

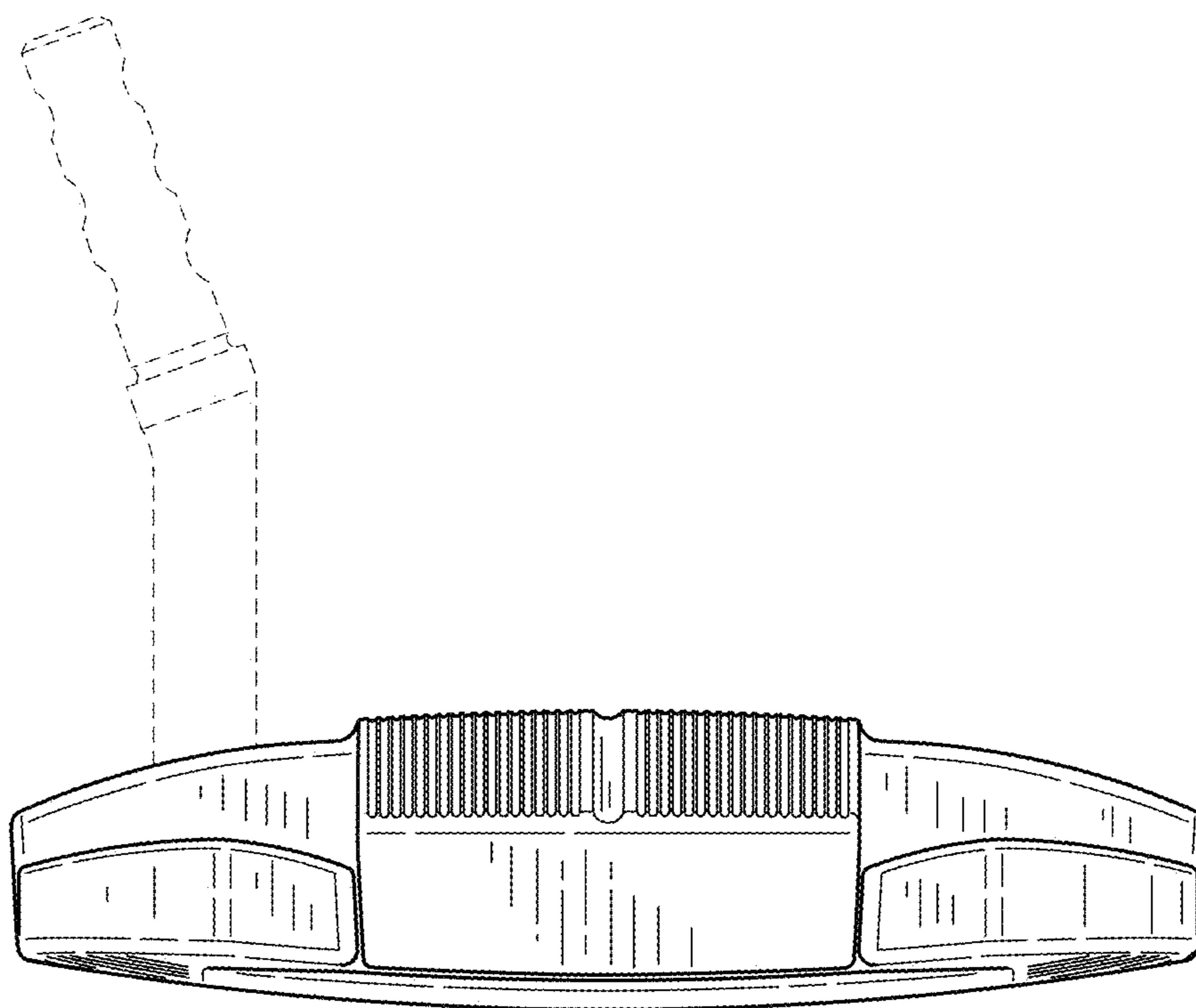


FIG. 14

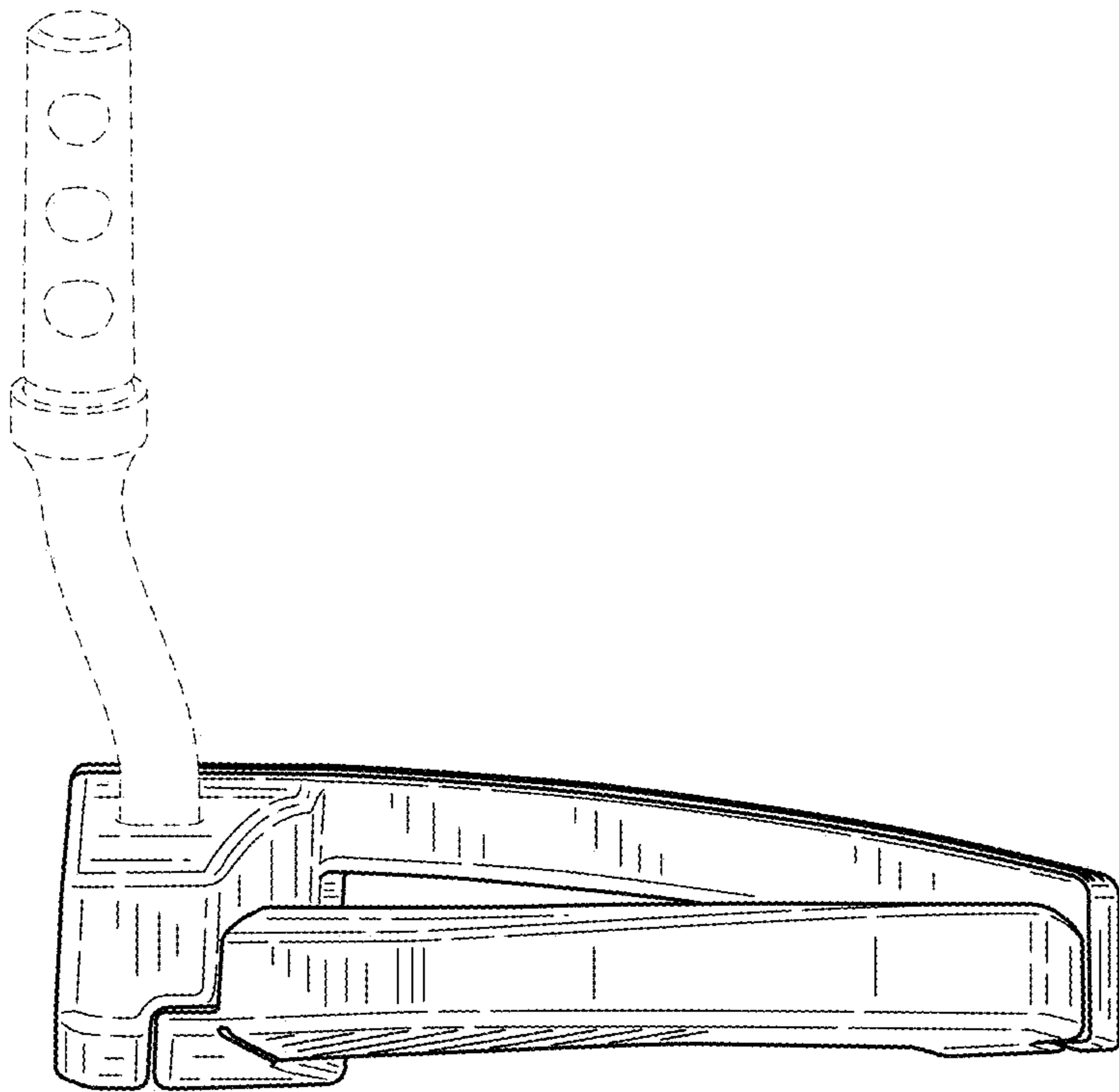


FIG. 15

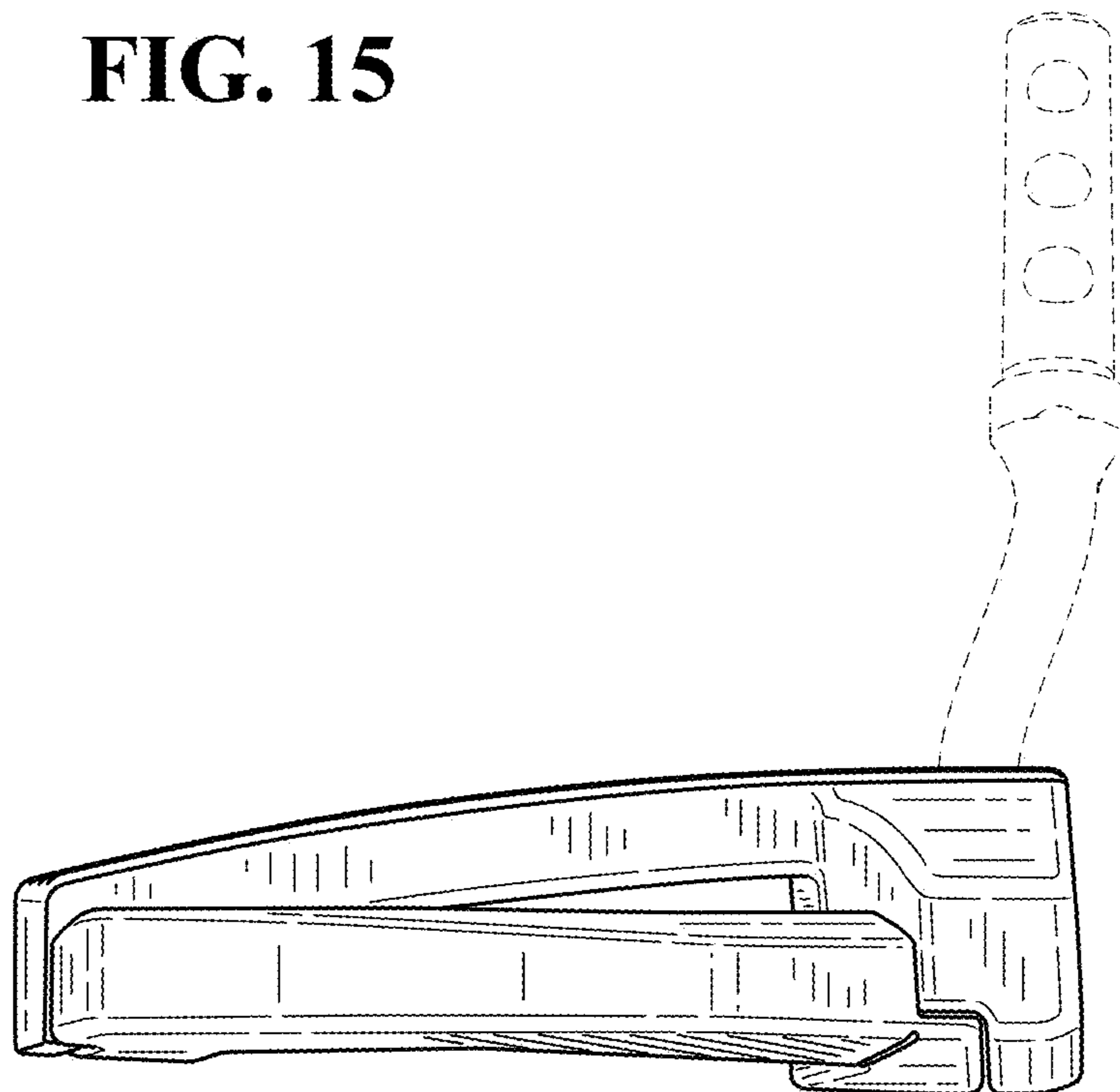


FIG. 16