



US00D892955S

(12) **United States Design Patent** (10) **Patent No.:** **US D892,955 S**
Clarke et al. (45) **Date of Patent:** **** Aug. 11, 2020**

(54) **GOLF CLUB HEAD**

(71) Applicant: **KARSTEN MANUFACTURING CORPORATION**, Phoenix, AZ (US)

(72) Inventors: **Jacob T. Clarke**, Phoenix, AZ (US);
David A. Higdon, Cave Creek, AZ (US)

(73) Assignee: **Karsten Manufacturing Corporation**, Phoenix, AZ (US)

(**) Term: **15 Years**

(21) Appl. No.: **29/677,176**

(22) Filed: **Jan. 17, 2019**

(51) **LOC (12) Cl.** **21-02**

(52) **U.S. Cl.**
USPC **D21/744**

(58) **Field of Classification Search**
USPC D21/736-746, 759
CPC A63B 53/00; A63B 53/04; A63B 53/007;
A63B 53/065; A63B 53/0487; A63B
60/00; A63B 60/46
See application file for complete search history.

(56) **References Cited**

U.S. PATENT DOCUMENTS

3,042,405	A	7/1962	Solheim
D235,668	S	7/1975	Swash
3,954,265	A	5/1976	Taylor
4,714,252	A	12/1987	Roraback
4,834,387	A	5/1989	Waites et al.
D333,331	S	2/1993	Evans
5,211,401	A	5/1993	Hainey
D342,112	S	12/1993	Diesterheft
5,320,353	A	6/1994	Moore
5,324,031	A	6/1994	Green
5,482,281	A	1/1996	Anderson

(Continued)

OTHER PUBLICATIONS

“Never compromise limited model DINERO series” SRI Sports Corporation website, http://www.srigroup.co.jp/newsrelease/2011/srisp/2011_s61.html, Oct. 27, 2011.

(Continued)

Primary Examiner — Mitchell I. Siegel

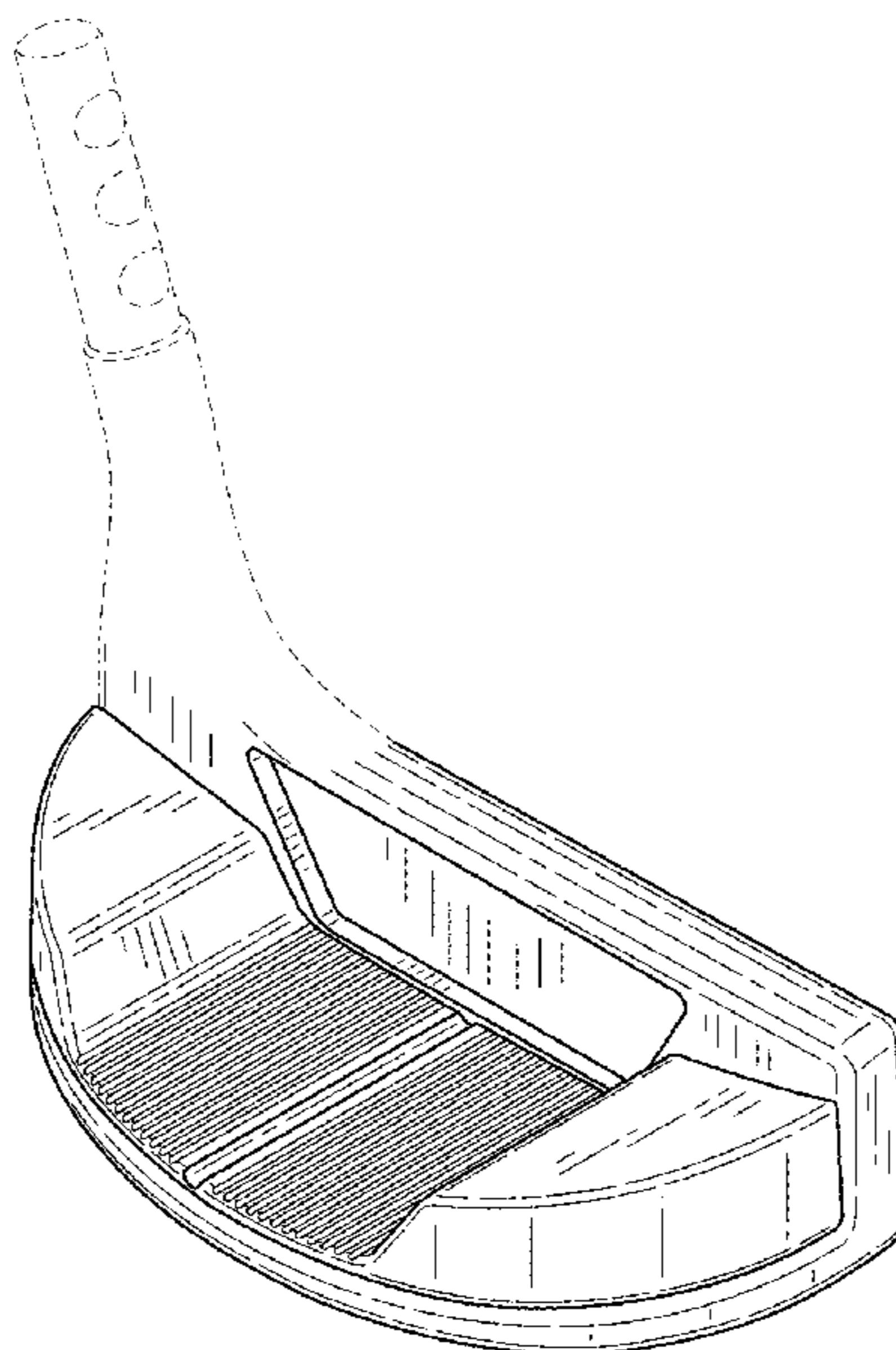
(57) **CLAIM**

The ornamental design for a golf club head, as shown and described.

DESCRIPTION

FIG. 1 is a top perspective view of a golf club head; FIG. 2 is a bottom perspective view of the golf club head of FIG. 1; FIG. 3 is a top view of the golf club head of FIG. 1; FIG. 4 is a bottom view of the golf club head of FIG. 1; FIG. 5 is a front view of the golf club head of FIG. 1; FIG. 6 is a rear view of the golf club head of FIG. 1; FIG. 7 is a heel side view of the golf club head of FIG. 1; FIG. 8 is a toe side view of the golf club head of FIG. 1; FIG. 9 is a top perspective view of another embodiment of a golf club head; FIG. 10 is a bottom perspective view of the golf club head of FIG. 9; FIG. 11 is a top view of the golf club head of FIG. 9; FIG. 12 is a bottom view of the golf club head of FIG. 9; FIG. 13 is a front view of the golf club head of FIG. 9; FIG. 14 is a rear view of the golf club head of FIG. 9; FIG. 15 is a heel side view of the golf club head of FIG. 9; and, FIG. 16 is a toe side view of the golf club head of FIG. 9. The broken line showing is included for the purpose of illustrating unclaimed subject matter and forms no part of the claimed design.

1 Claim, 8 Drawing Sheets



(56)

References Cited

U.S. PATENT DOCUMENTS

5,820,481 A 10/1998 Raudman
D400,610 S * 11/1998 Cameron D21/742
D400,942 S * 11/1998 Billings D21/742
D449,085 S 10/2001 Breier
6,634,956 B1 10/2003 Pegg
D485,592 S 1/2004 Hettinger
D488,200 S 4/2004 Olsavsky et al.
D493,857 S 8/2004 Cameron
D500,109 S 12/2004 Solheim et al.
D500,110 S 12/2004 Solheim et al.
D502,234 S 2/2005 Grace
D502,748 S 3/2005 Burrows
D505,702 S 5/2005 Wood
D506,796 S 6/2005 Li
D508,273 S 8/2005 Garner et al.
D510,394 S 10/2005 Tang et al.
6,960,140 B2 11/2005 Solheim et al.
6,966,845 B2 11/2005 Solheim et al.
D514,182 S 1/2006 Olsavsky et al.
D515,646 S 2/2006 Perry
7,004,849 B2 2/2006 Cameron
D517,143 S 3/2006 Petsel et al.
D520,583 S 5/2006 Rollinson et al.
D521,582 S 5/2006 Souza et al.
7,052,411 B2 5/2006 Solheim et al.
D522,598 S 6/2006 Solheim et al.
D526,035 S 8/2006 Hueber
D527,777 S 9/2006 Solheim et al.
D529,560 S 10/2006 Madore
D532,468 S * 11/2006 Hettinger D21/743
D532,842 S 11/2006 Jones et al.
D532,843 S 11/2006 Jones et al.
D532,846 S 11/2006 Lee et al.
D533,243 S 12/2006 Fife, Jr. et al.
D533,609 S 12/2006 Moore et al.
D534,974 S 1/2007 Haack
D536,400 S 2/2007 DiBattista, Sr.
D542,873 S 5/2007 Oldknow et al.
D547,405 S 7/2007 Serrano et al.
D548,295 S 8/2007 Jertson et al.
7,255,650 B2 8/2007 Braynt et al.
D552,197 S 10/2007 Wells et al.
D564,606 S 3/2008 Oldknow et al.
D564,608 S 3/2008 Oldknow et al.
7,390,267 B2 6/2008 Grace
D574,907 S 8/2008 Jones et al.
D574,908 S 8/2008 Hettinger et al.
D575,366 S 8/2008 Rollinson
D577,398 S 9/2008 Hilton
D579,505 S 10/2008 Jones
7,455,599 B2 11/2008 Jones
D582,497 S 12/2008 Rollinson
D583,886 S 12/2008 Cameron

D587,325 S 2/2009 Solheim et al.
D588,657 S 3/2009 Hettinger
D590,035 S 4/2009 Hilton
D590,461 S 4/2009 Kim et al.
D590,463 S * 4/2009 Hettinger D21/743
D591,371 S 4/2009 Hilton
D591,806 S 5/2009 Cameron
D591,807 S 5/2009 Rollinson
D595,372 S 6/2009 Rollinson
D595,373 S 6/2009 Kim et al.
D596,685 S 7/2009 Wallans
D599,425 S 9/2009 Laub
D599,870 S 9/2009 Serrano et al.
D600,760 S 9/2009 Serrano et al.
D600,761 S 9/2009 Serrano et al.
D600,762 S 9/2009 Serrano et al.
D603,008 S 10/2009 Donahue
D621,458 S 8/2010 Serrano et al.
D621,460 S 8/2010 Serrano et al.
D621,461 S 8/2010 Serrano et al.
D621,462 S 8/2010 Serrano et al.
D621,891 S 8/2010 Serrano et al.
D623,709 S 9/2010 Serrano et al.
D634,801 S * 3/2011 Rollinson D21/743
D641,057 S 7/2011 Rollinson
D641,440 S * 7/2011 Hettinger D21/743
D641,442 S 7/2011 Rollinson
D648,408 S * 11/2011 Teramoto D21/743
D650,457 S 12/2011 Rollinson
D650,458 S 12/2011 Rollinson
8,083,611 B2 12/2011 Kuan et al.
D652,092 S 1/2012 Rollinson
8,109,838 B2 2/2012 Solheim et al.
D688,762 S 8/2013 Hilton
D690,378 S 9/2013 Rollinson
D691,681 S * 10/2013 Hilton D21/736
D733,233 S 6/2015 Dolezel
D774,609 S * 12/2016 Serrano D21/744
D779,006 S * 2/2017 Abbott D21/744
D792,536 S 7/2017 Wang
D794,732 S * 8/2017 Jertson D21/744
D796,603 S * 9/2017 Serrano D21/744
D852,911 S * 7/2019 Wang D21/744
D860,353 S * 9/2019 Rollinson D21/743
D879,223 S * 3/2020 Serrano D21/742
2006/0223646 A1 * 10/2006 Rife A63B 53/0487
473/251

OTHER PUBLICATIONS

“MP Putter T203—Mizuno Official online shop” Mizuno Corporation website, http://www.mizunoshop.net/disp/CSfDetailGdsImage_001.jsp?GOODS_NO=142889&IMG_NO=1, Nov. 14, 2011.

* cited by examiner

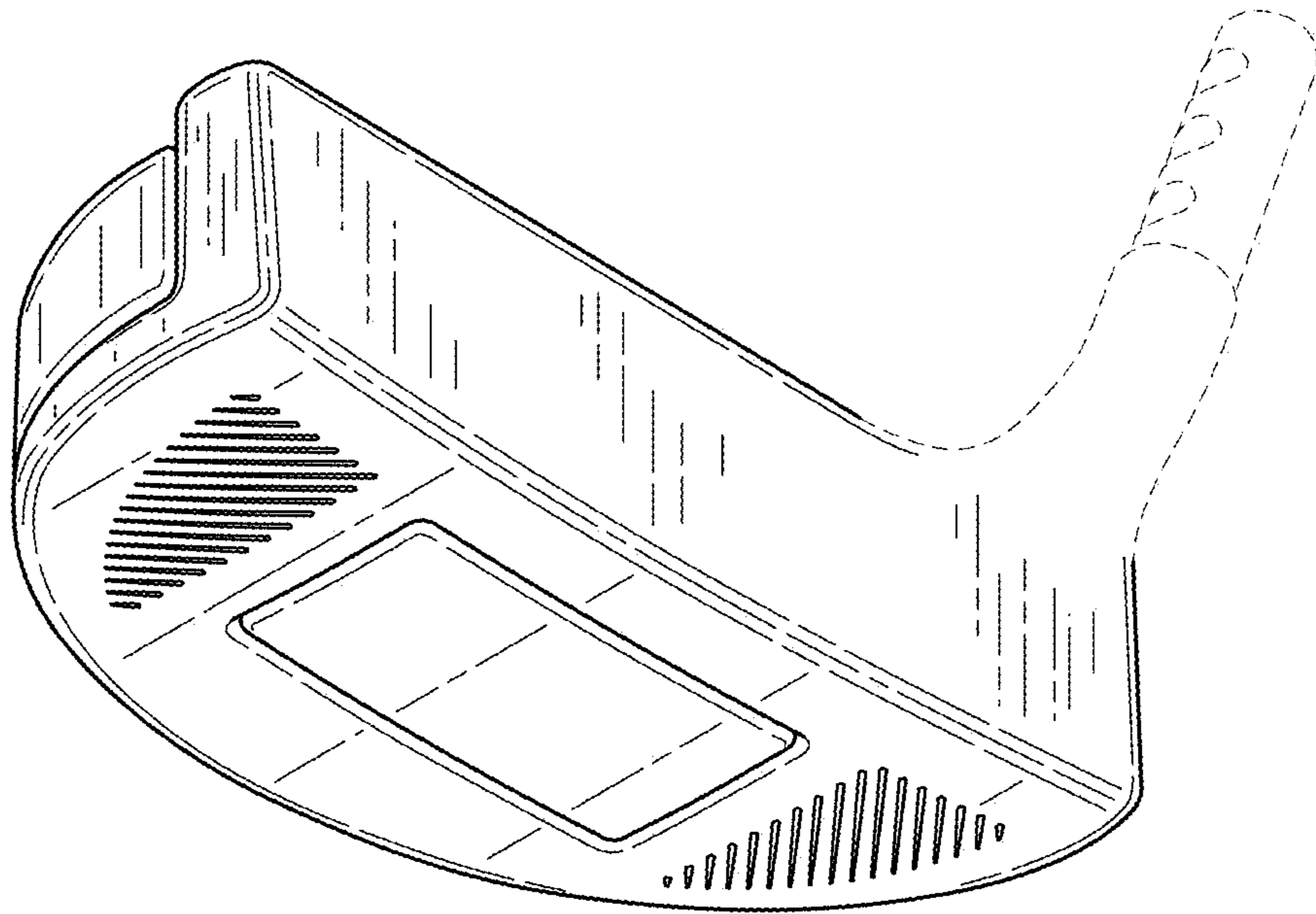


FIG. 1

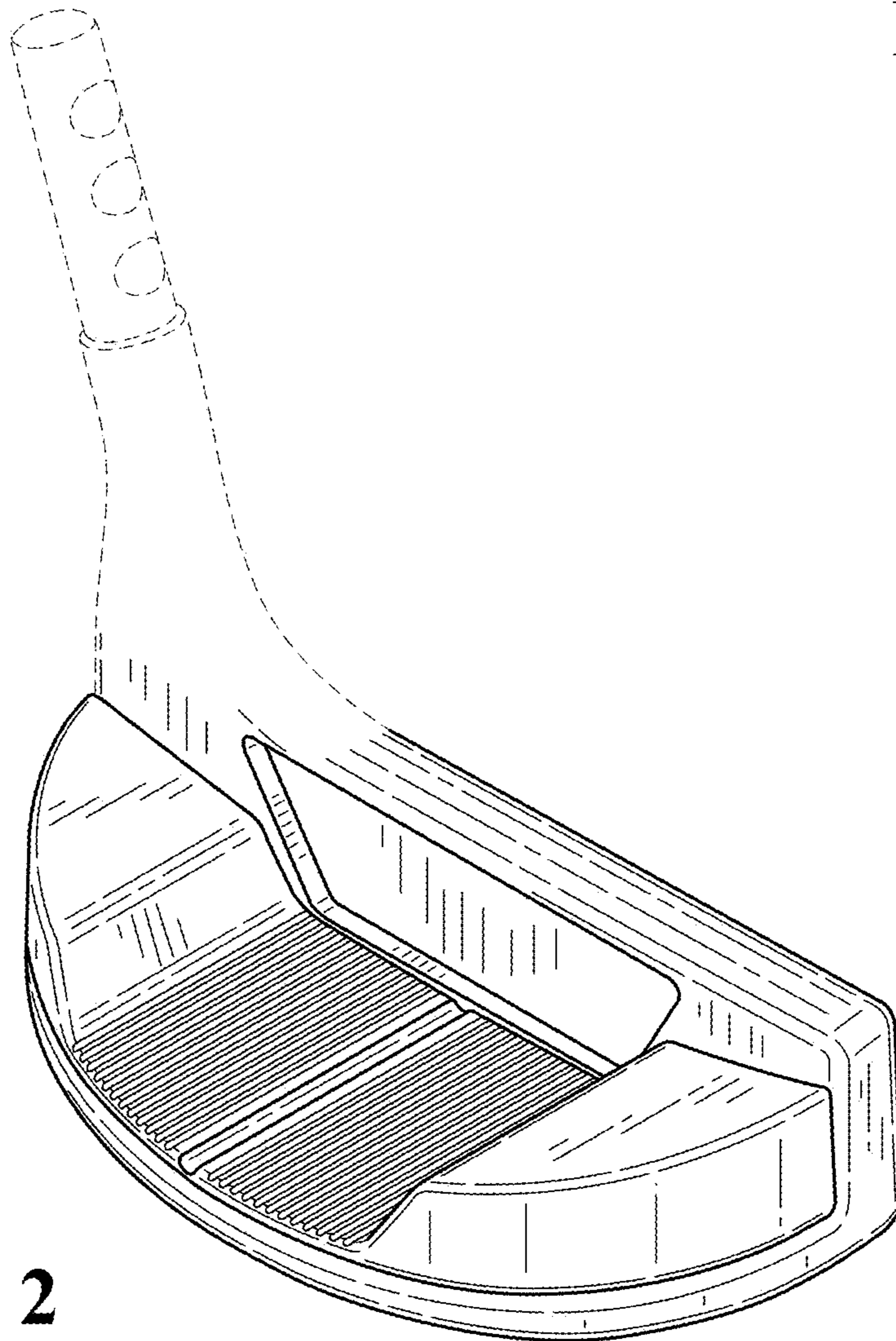


FIG. 2

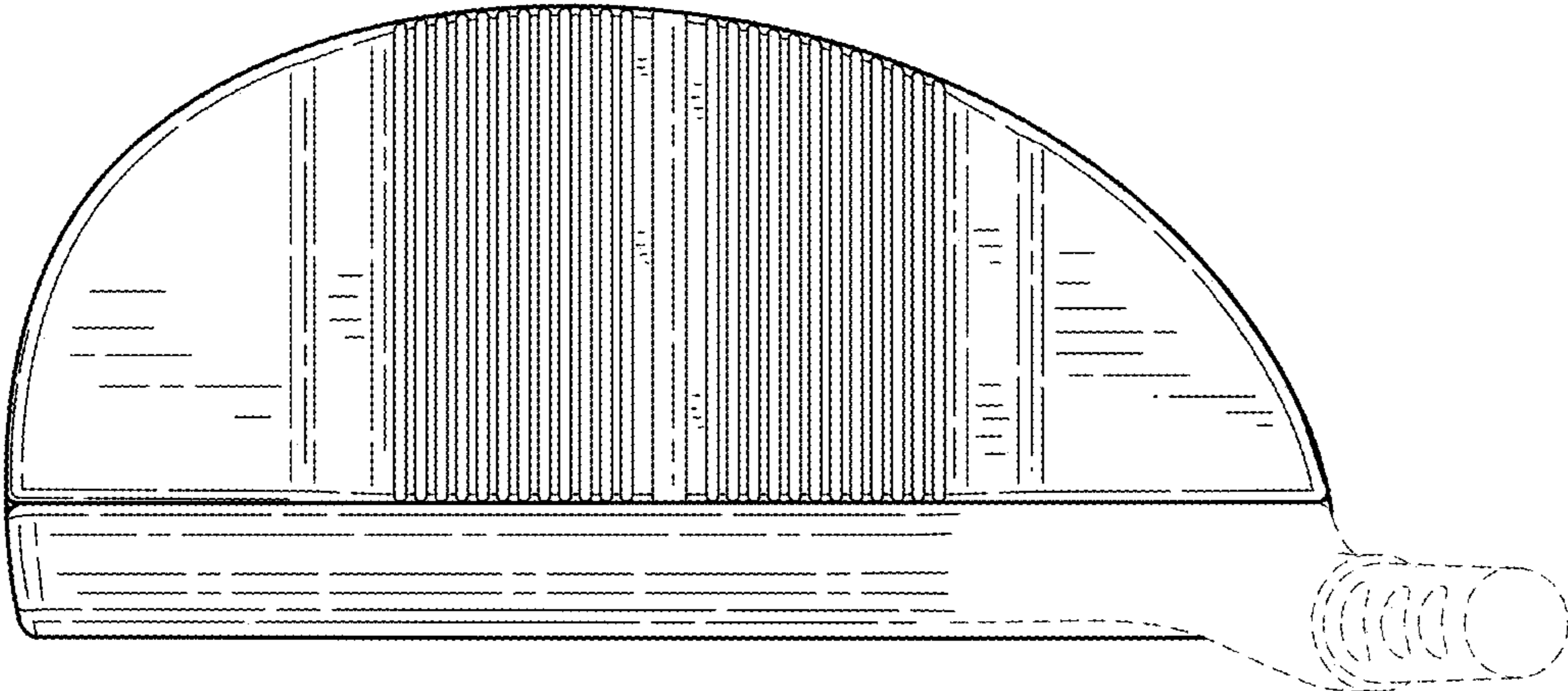


FIG. 3

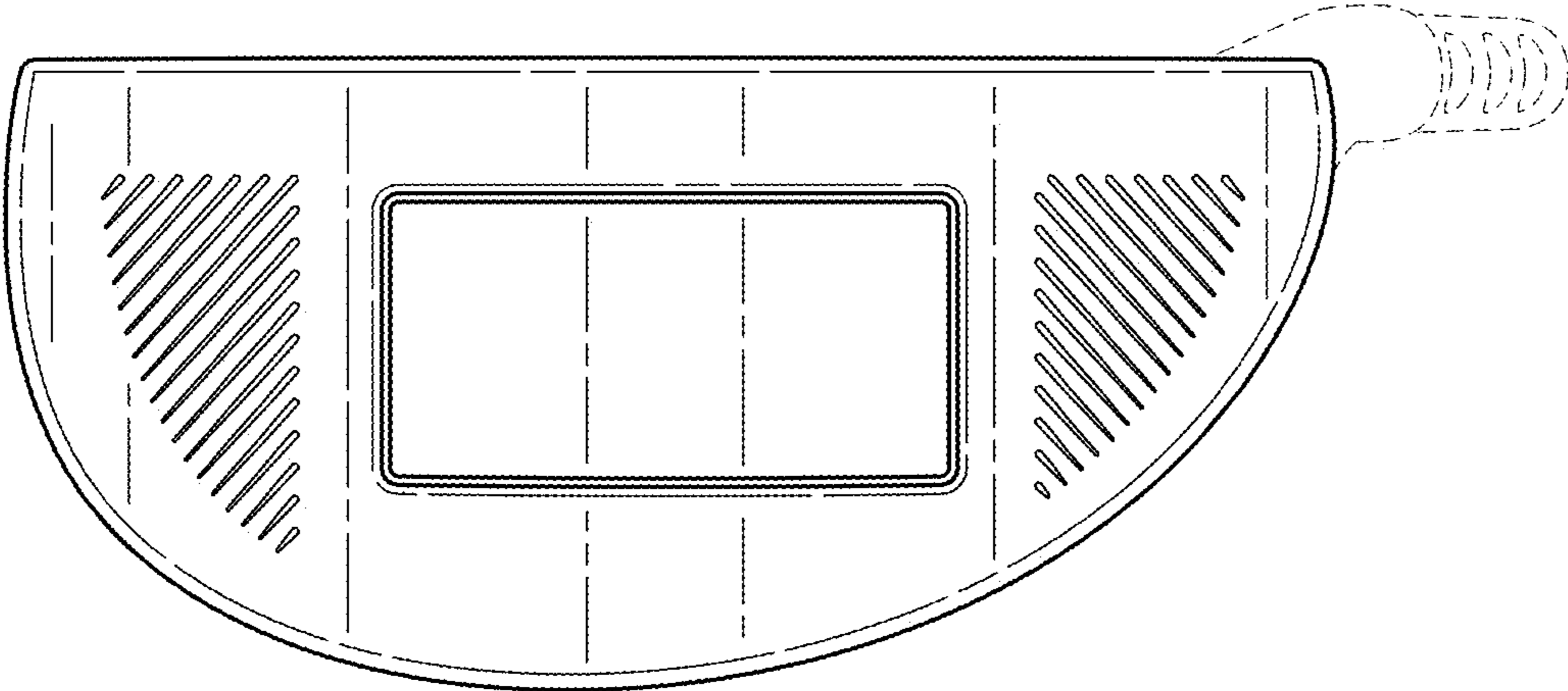


FIG. 4

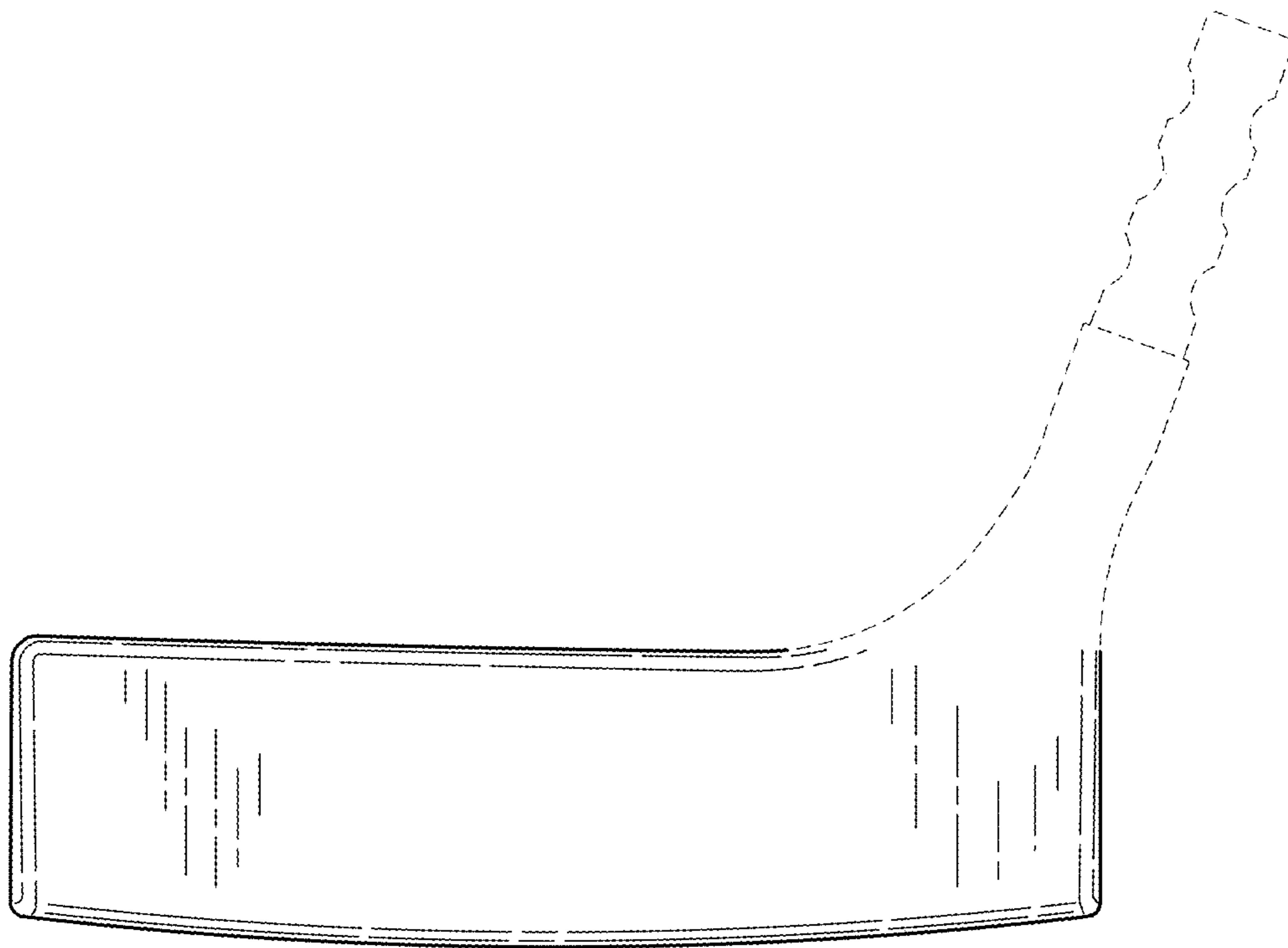


FIG. 5

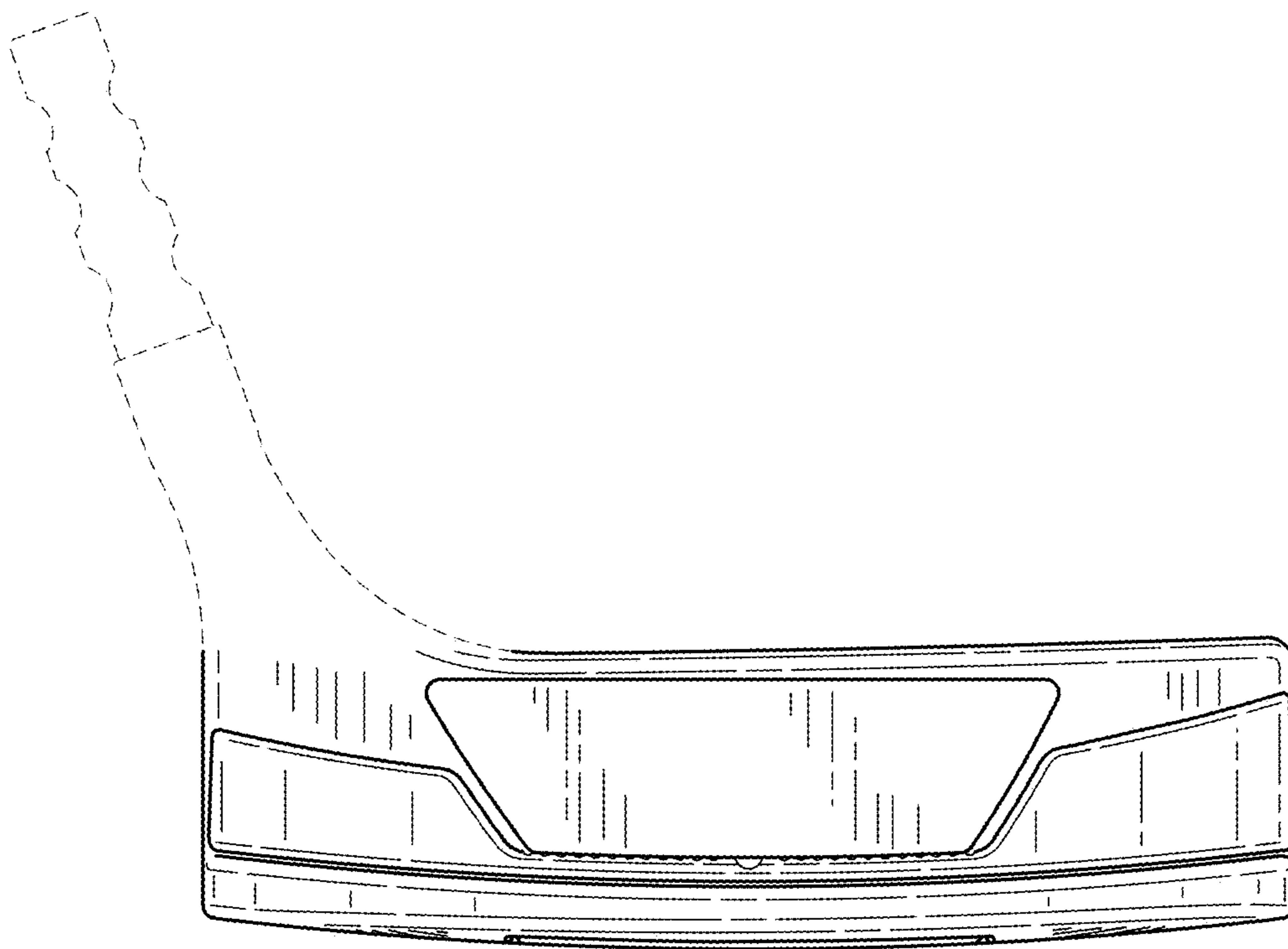


FIG. 6

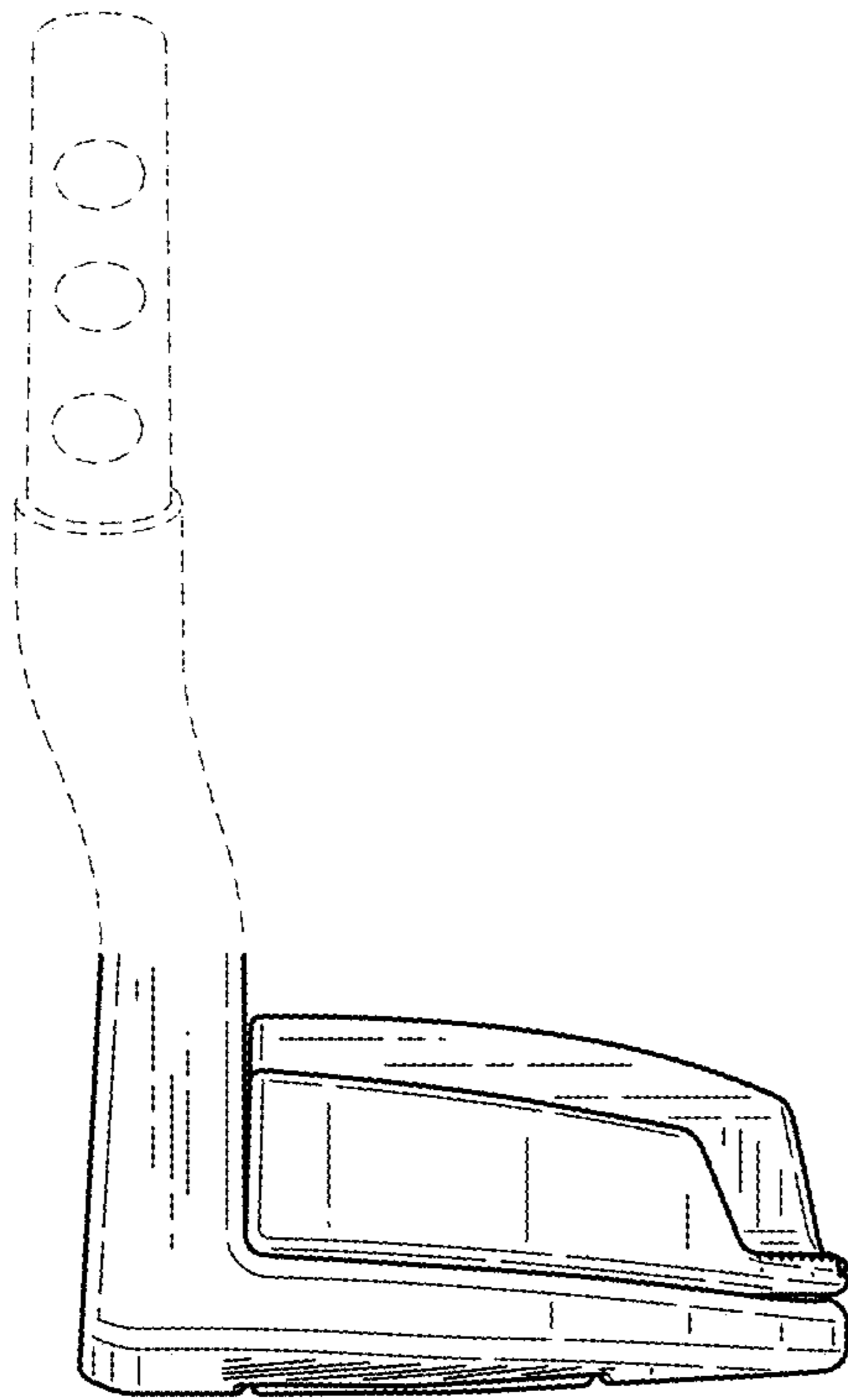


FIG. 7

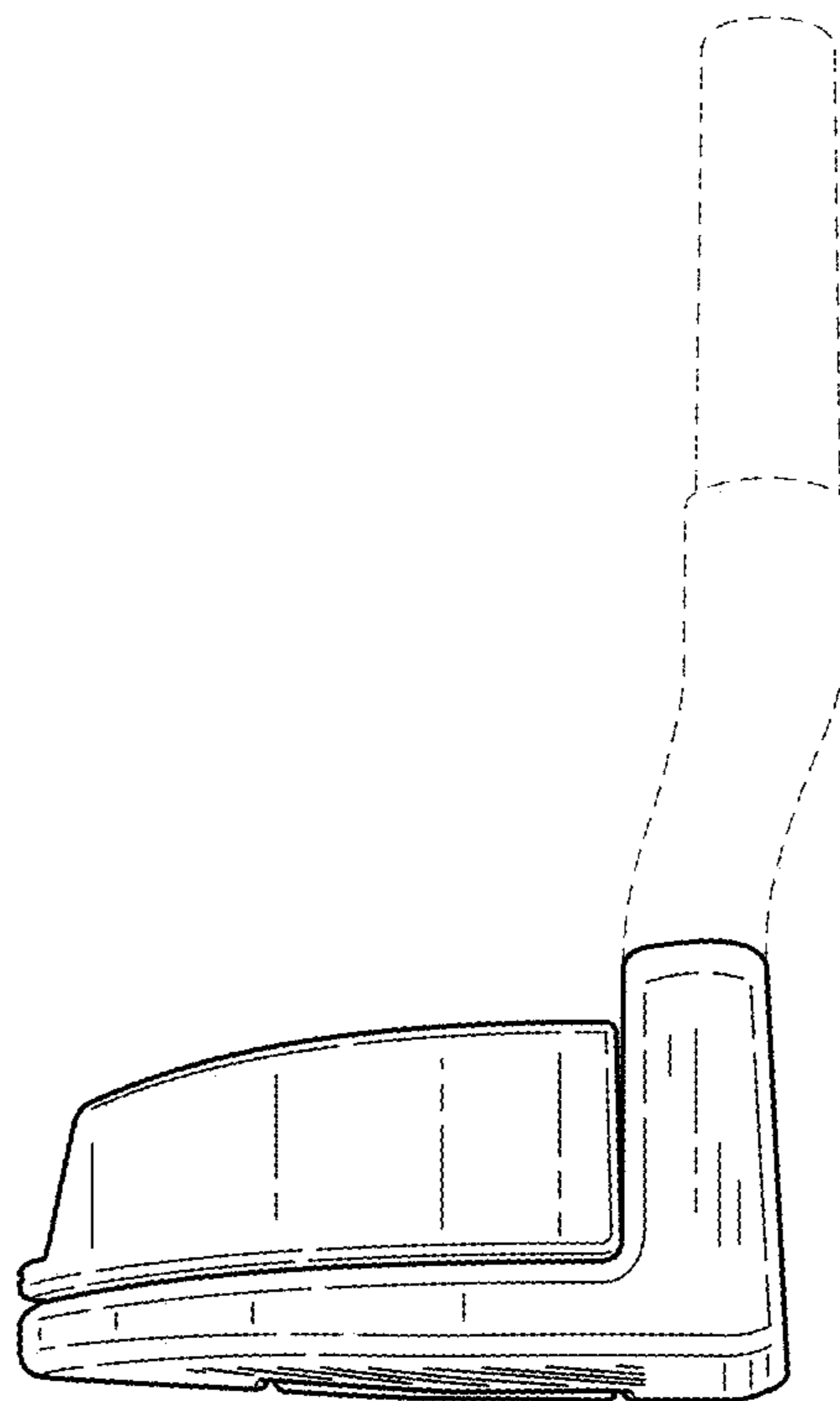


FIG. 8

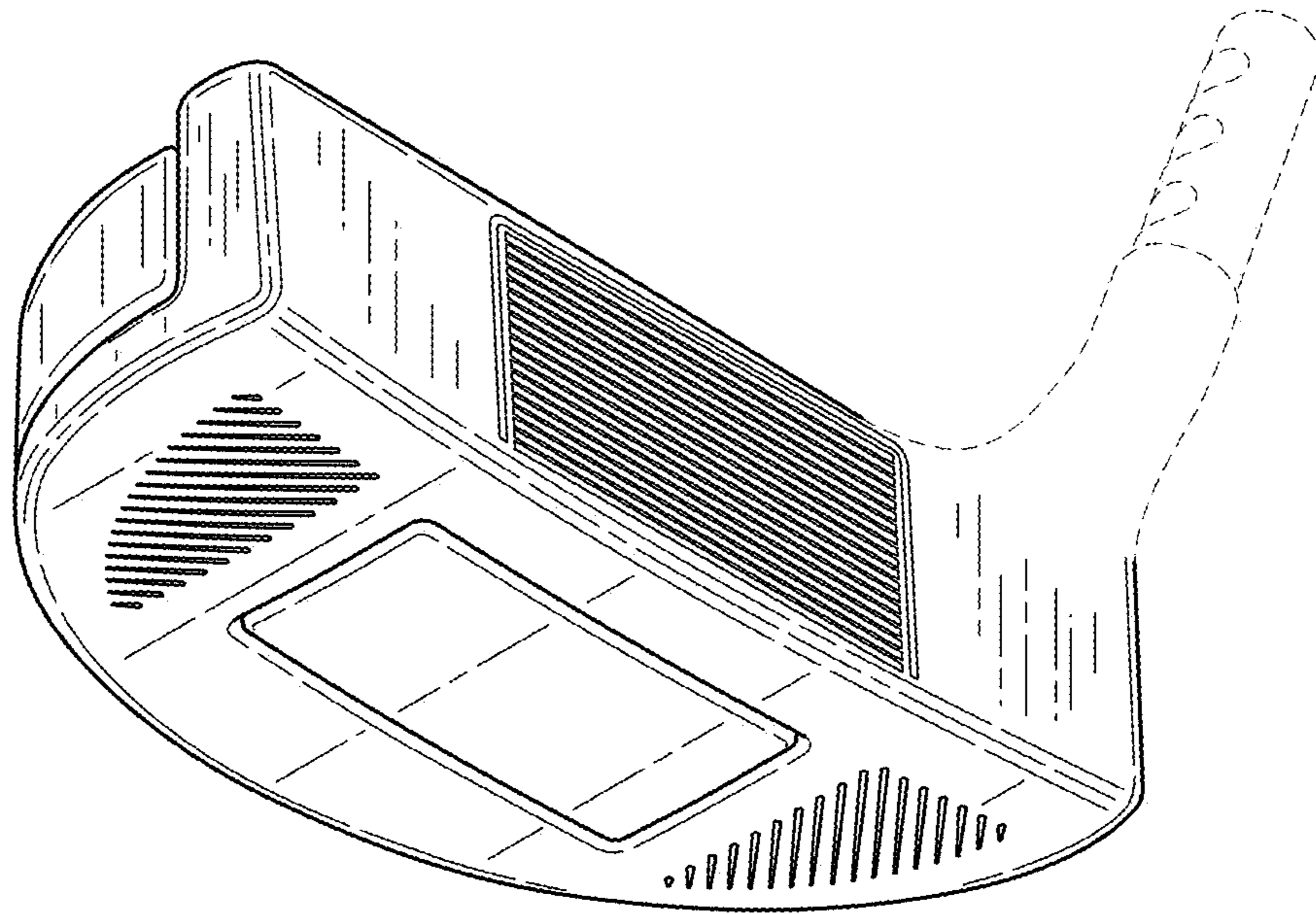


FIG. 9

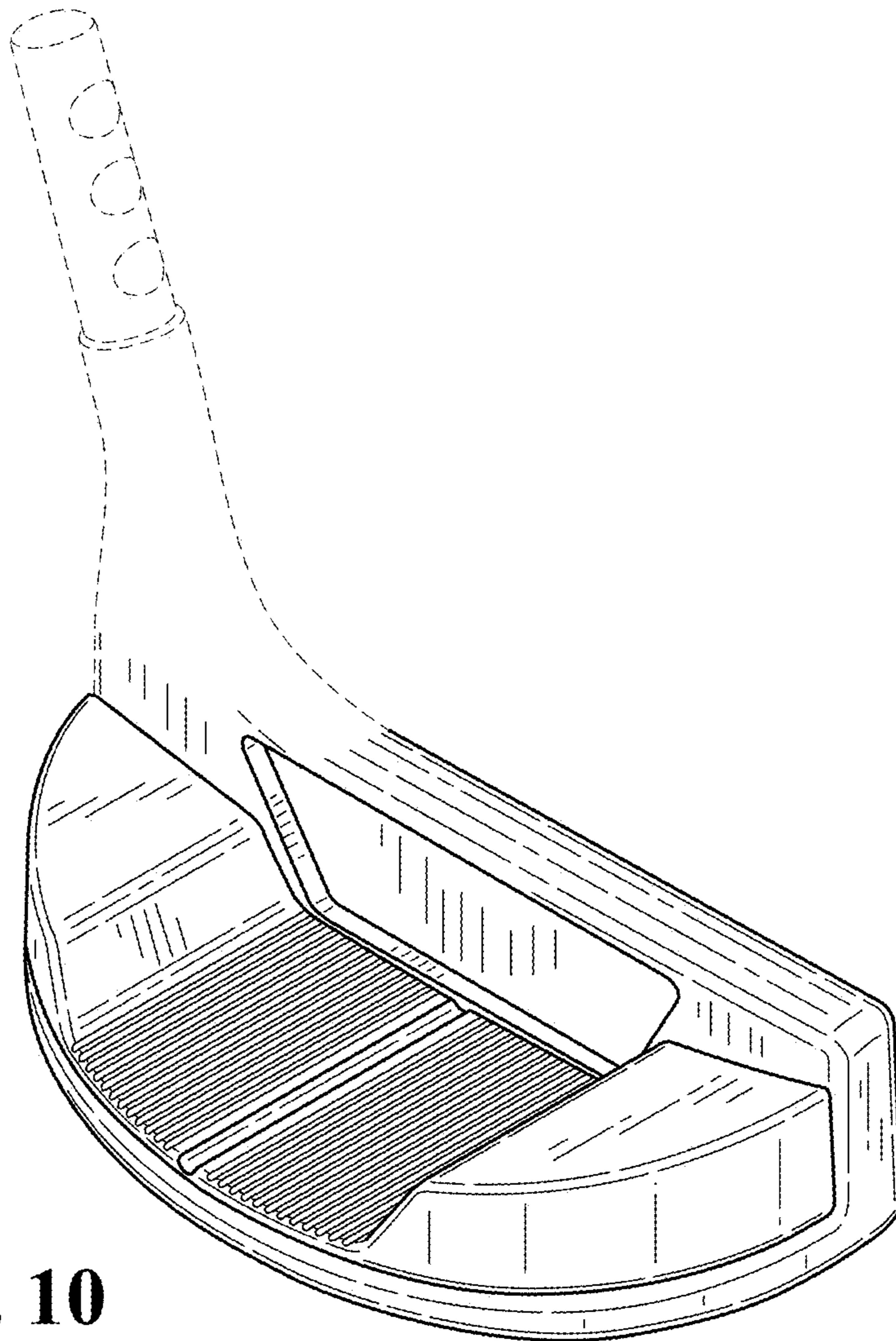


FIG. 10

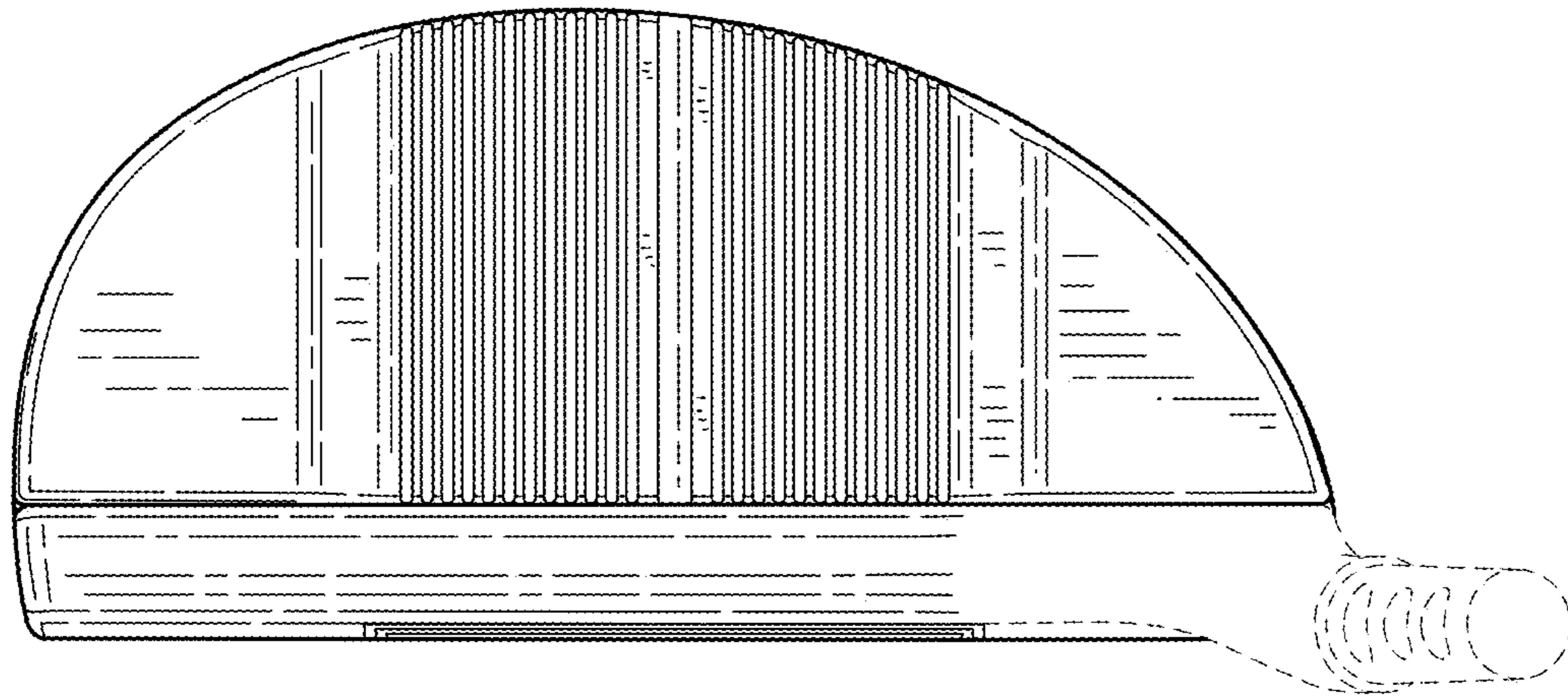


FIG. 11

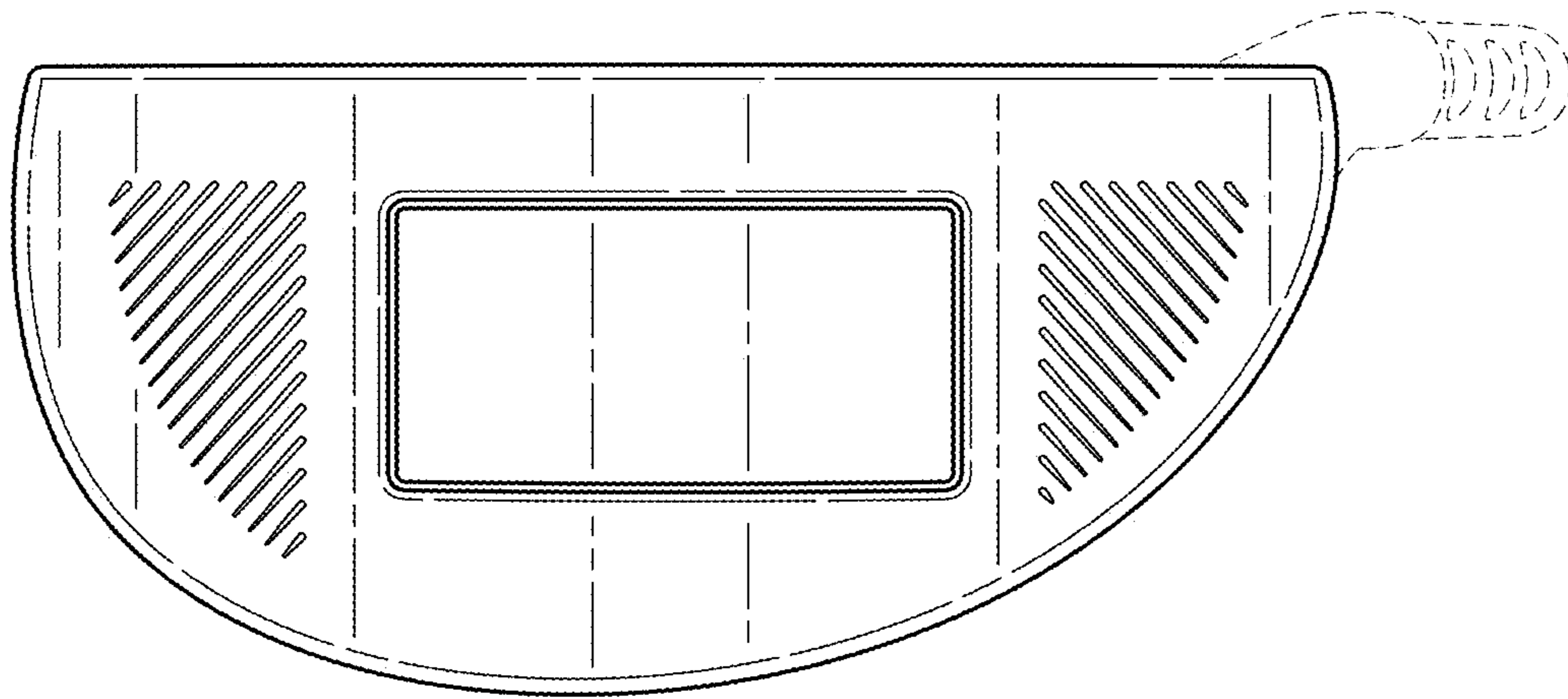


FIG. 12

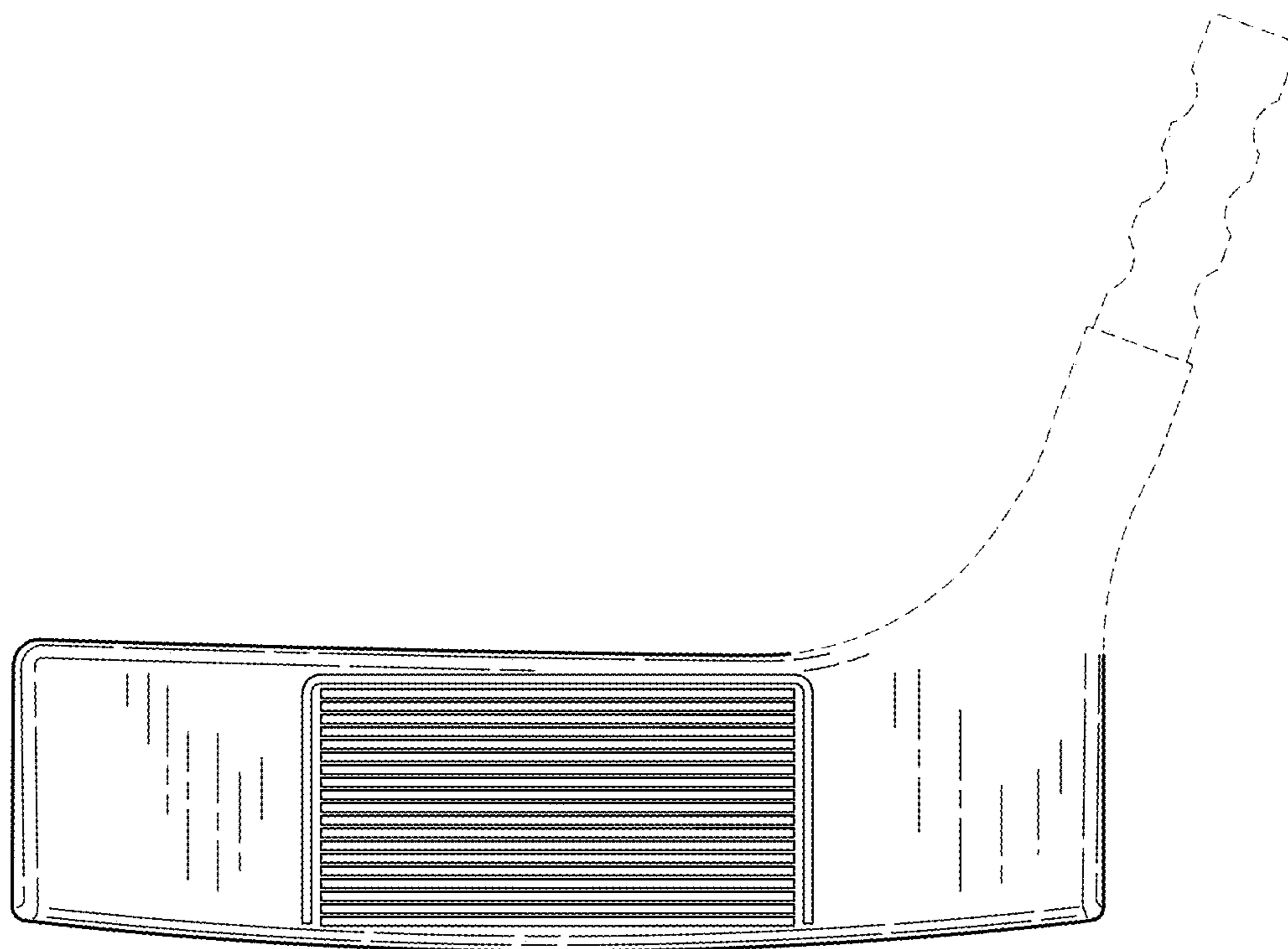


FIG. 13

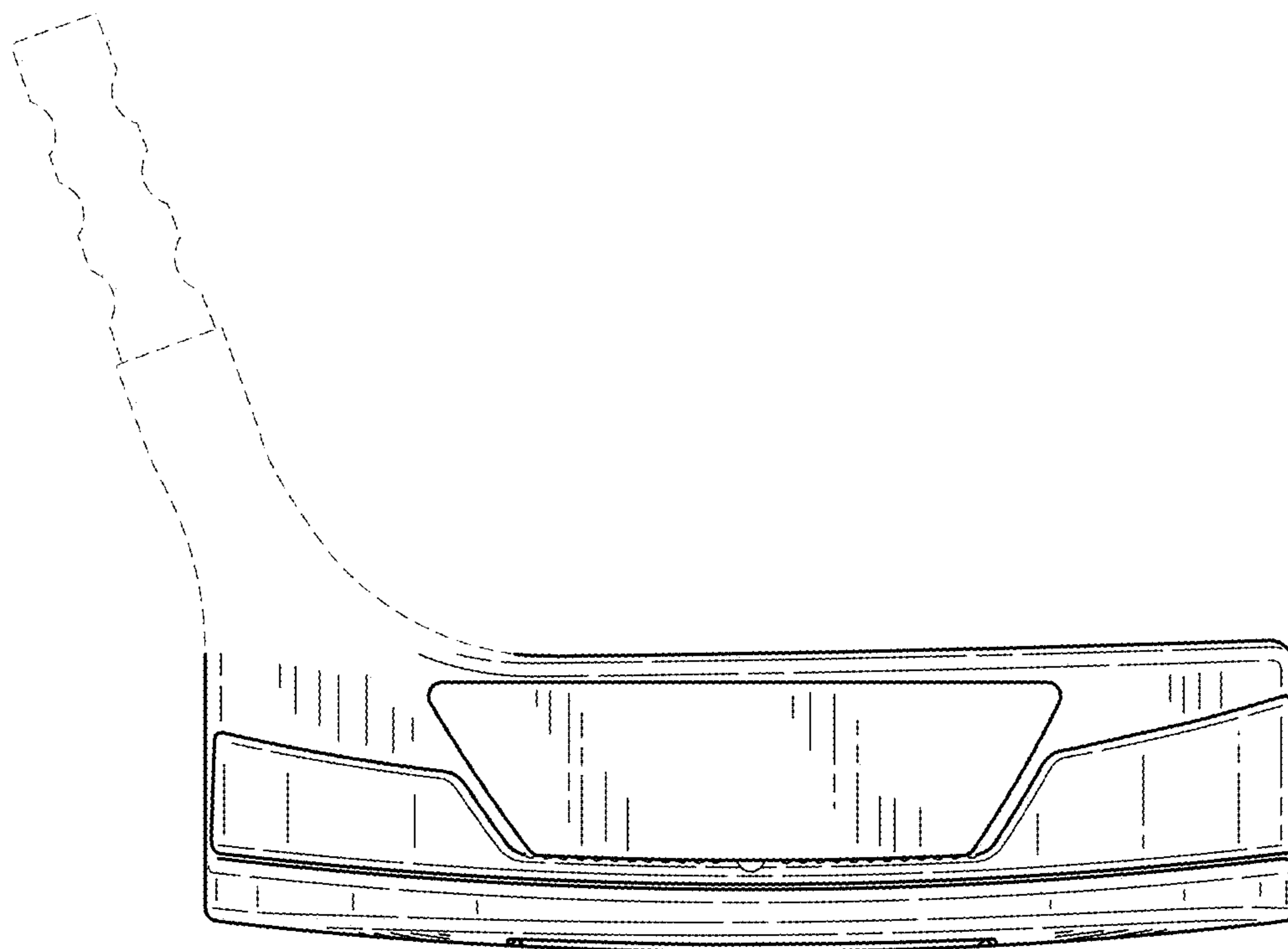


FIG. 14

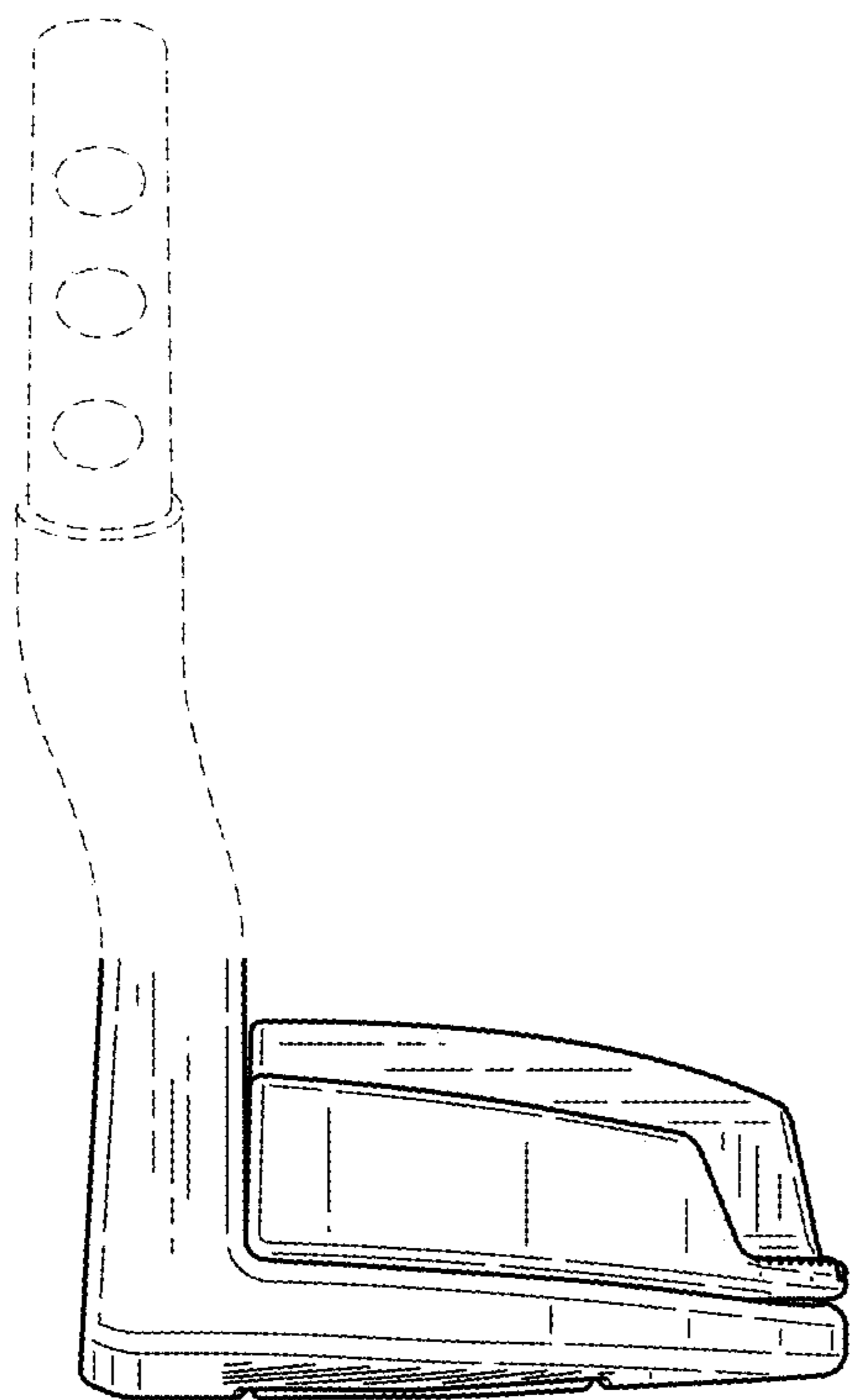


FIG. 15

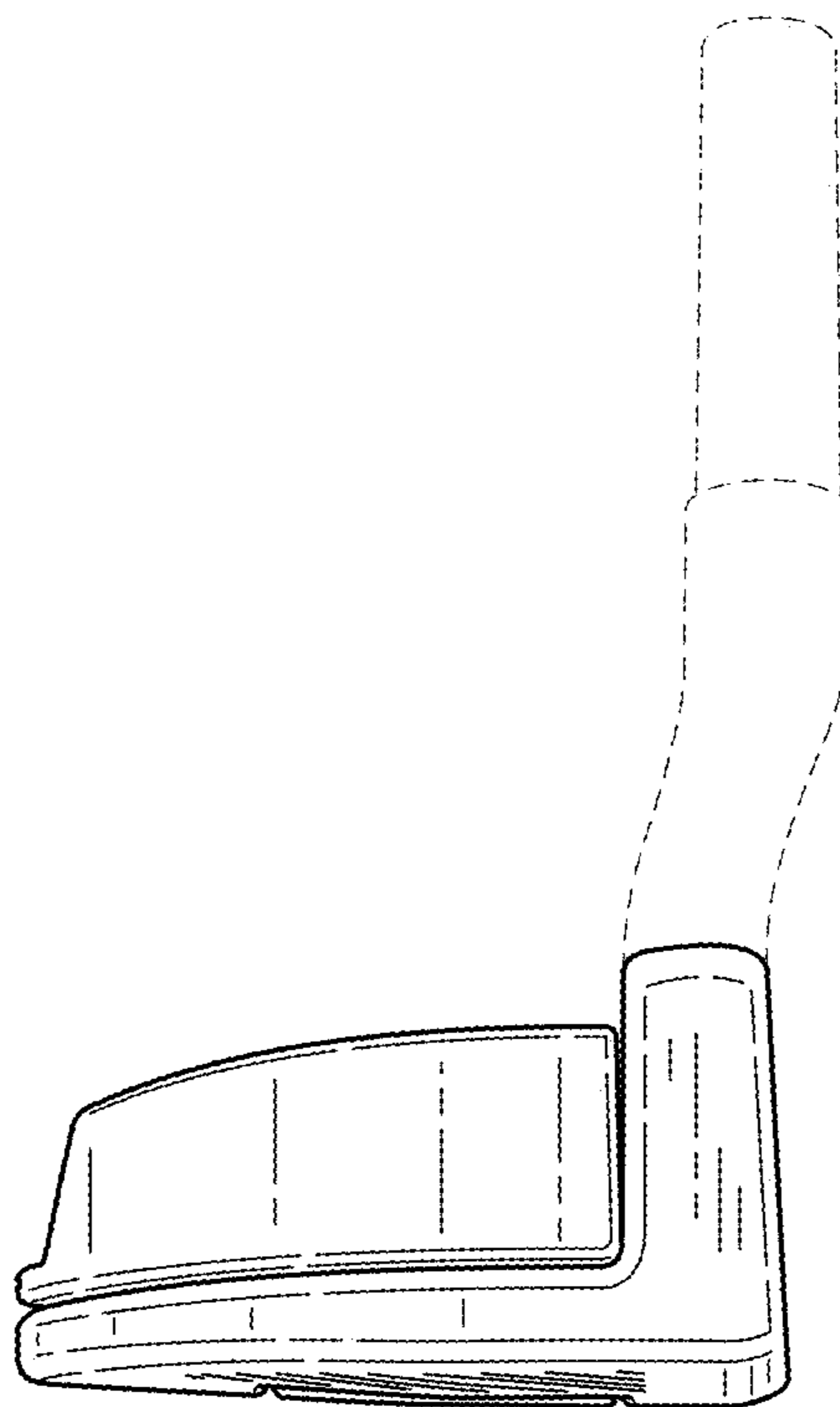


FIG. 16