



US00D892950S

(12) **United States Design Patent**
Lalaoua

(10) **Patent No.:** **US D892,950 S**
(45) **Date of Patent:** **** Aug. 11, 2020**

- (54) **GOAL POST FOR SPORTS**
- (71) Applicant: **Nabile Lalaoua**, Las Vegas, NV (US)
- (72) Inventor: **Nabile Lalaoua**, Las Vegas, NV (US)
- (**) Term: **15 Years**
- (21) Appl. No.: **29/663,298**
- (22) Filed: **Sep. 13, 2018**

2012/0157239 A1* 6/2012 Elpers A63B 63/00
473/416
2014/0013361 A1* 1/2014 Monari H04N 5/2252
725/62
2014/0106906 A1* 4/2014 Surbrook A63B 63/004
473/446

(Continued)

FOREIGN PATENT DOCUMENTS

DE 2051386 A1 * 4/1972 A63B 24/0021
WO WO-2012022117 A1 * 2/2012 A63B 63/004

Primary Examiner — Catherine A Tuttle

(57) **CLAIM**

The ornamental design for a goal post for sports, as shown and described.

DESCRIPTION

FIG. 1 is a front perspective view of a goal post for sports; FIG. 2 is a front elevation view thereof; FIG. 3 is a rear elevation view thereof; FIG. 4 is a top plan view thereof; FIG. 5 is a bottom plan view thereof; FIG. 6 is a right-side elevation view thereof; FIG. 7 is a left-side elevational view thereof; FIG. 8 is a rear perspective view thereof; FIG. 9 is a front perspective view similar to FIG. 1 but shown without the broken line netting for a clearer disclosure of the claimed goal post portions; FIG. 10 is a front elevation view thereof; FIG. 11 is a rear elevation view thereof; FIG. 12 is a top plan view thereof; FIG. 13 is a bottom plan view thereof; FIG. 14 is a right-side elevation view thereof; FIG. 15 is a left-side elevational view thereof; and, FIG. 16 is a rear perspective view thereof.

The broken line showing netting, support cables, and advertisement placement are included for the purpose of illustrating environmental structure and forms no part of the claimed design.

1 Claim, 16 Drawing Sheets

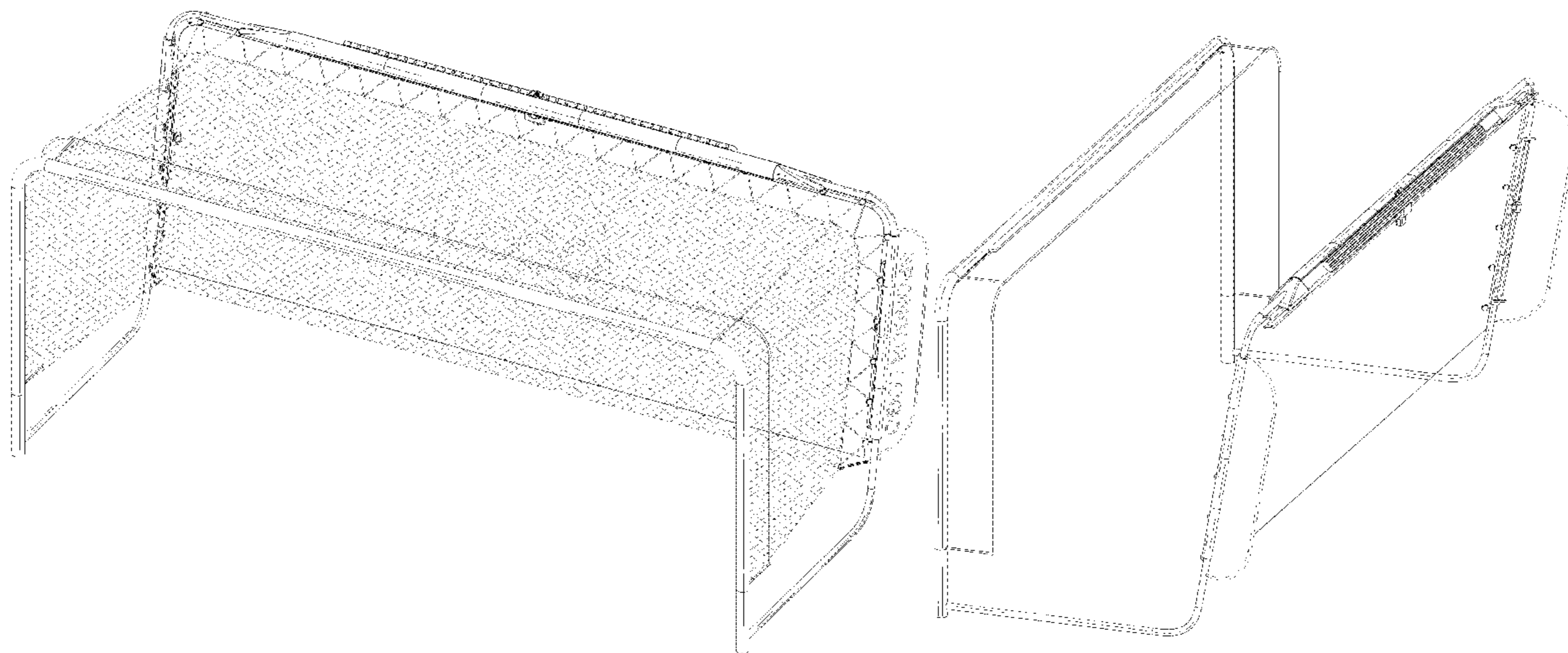
Related U.S. Application Data

- (63) Continuation-in-part of application No. 15/861,327, filed on Jan. 3, 2018.
- (51) **LOC (12) Cl.** **21-02**
- (52) **U.S. Cl.**
USPC **D21/699**
- (58) **Field of Classification Search**
USPC D21/302, 303, 305, 699–705, 790, 780,
D21/781, 788
CPC A63B 63/00–083; A63B 2063/001; A63B
2063/002; A63B 2063/005; A63B
2063/006; A63B 2063/065; A63B
2063/086; A63B 71/0622; A63B
2220/833; A63B 69/00; A63B 69/0002;
A63B 69/002; A63B 69/0097; A63B
71/00; A63B 71/02; A63B 71/022; A63B
71/023
See application file for complete search history.

(56) **References Cited**

U.S. PATENT DOCUMENTS

5,615,880 A * 4/1997 Booth A63B 24/0021
273/371
5,830,089 A * 11/1998 Halter A63B 63/004
473/478
D426,597 S * 6/2000 Akwei D21/705
7,150,690 B1 * 12/2006 Cusick A63B 63/004
473/478



(56)

References Cited

U.S. PATENT DOCUMENTS

2016/0263455 A1* 9/2016 Holland A63B 63/004
2017/0189774 A1* 7/2017 Ferrari A63B 63/004
2018/0185724 A1* 7/2018 Lalaoua A63B 71/0054
2018/0243633 A1* 8/2018 Kounellas A63B 43/00
2019/0083870 A1* 3/2019 Kapsalis A63B 63/004
2019/0160356 A1* 5/2019 Lalaoua A63B 63/004

* cited by examiner

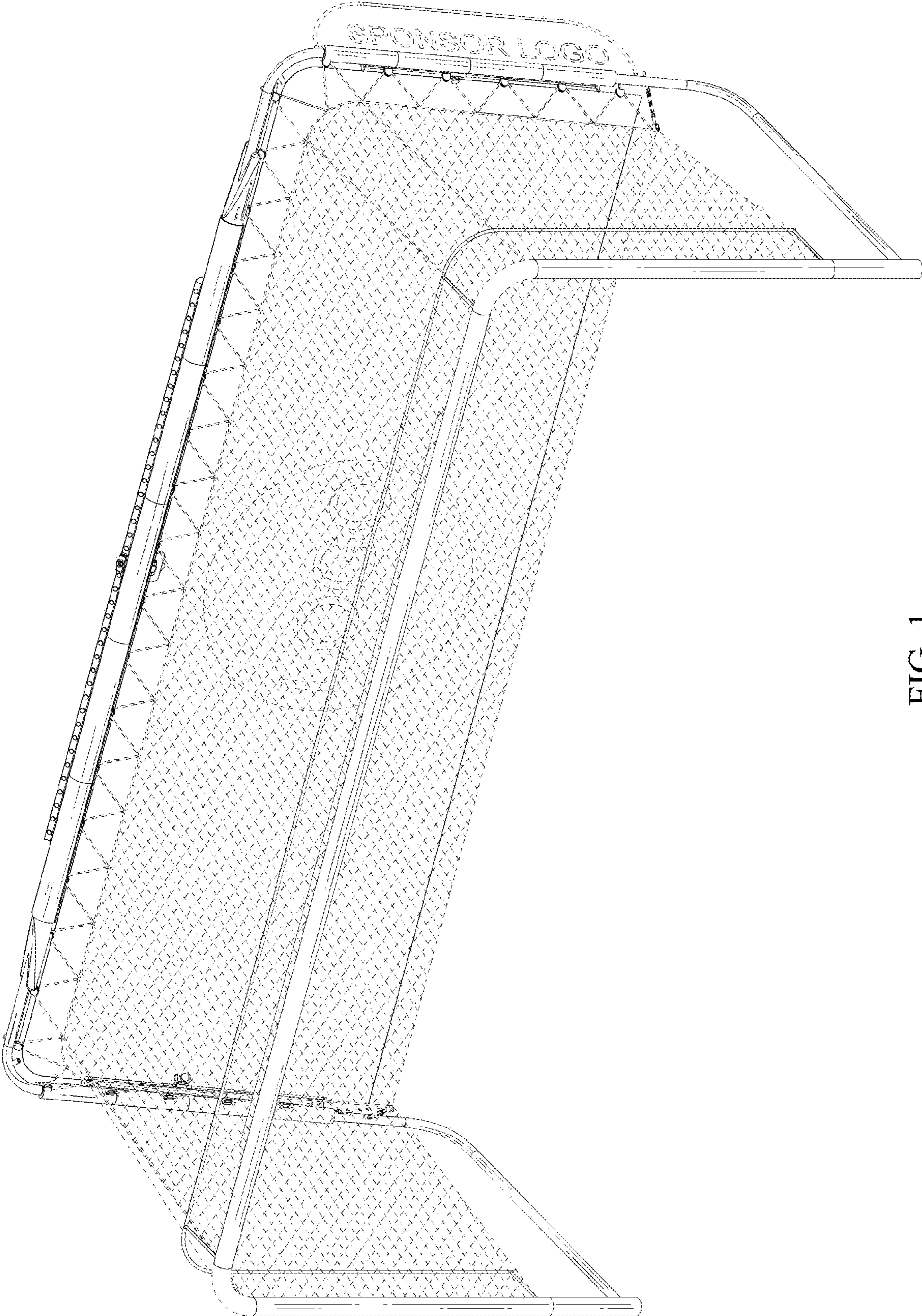


FIG. 1

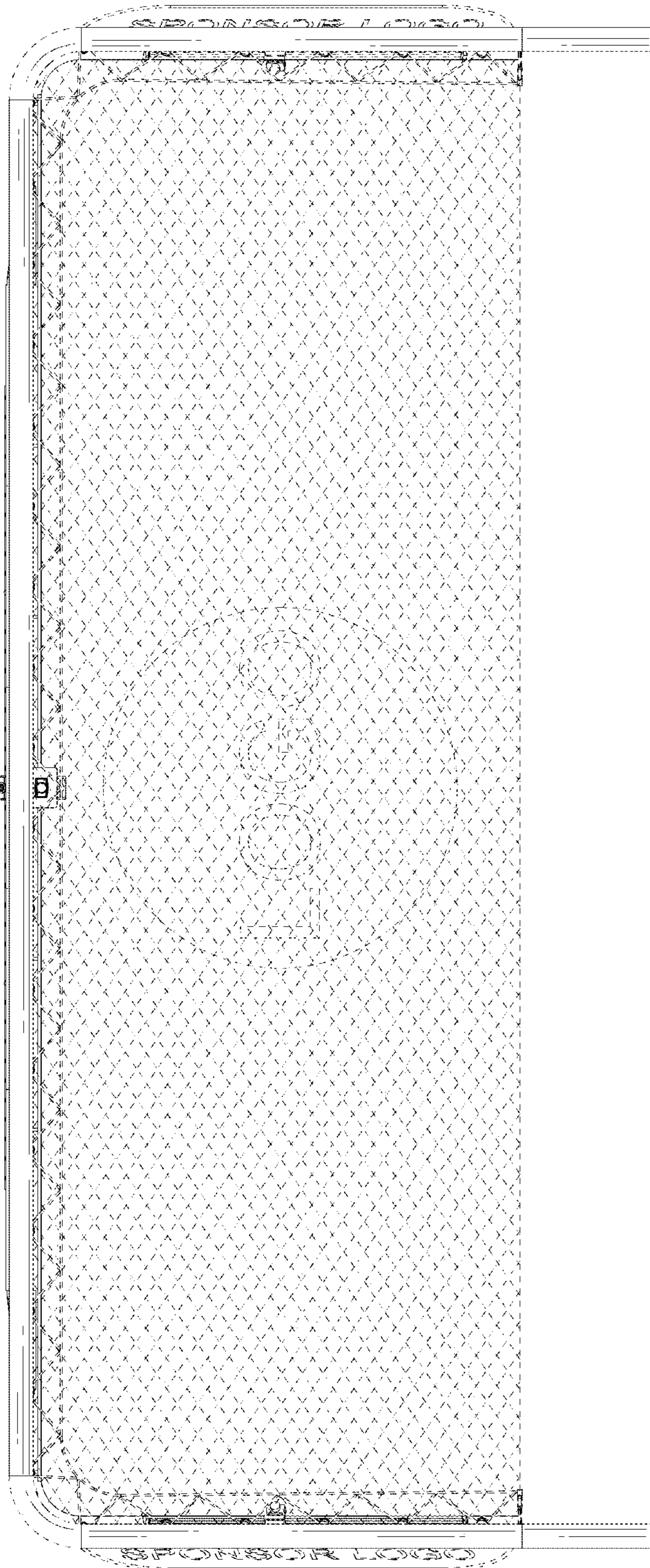


FIG. 2

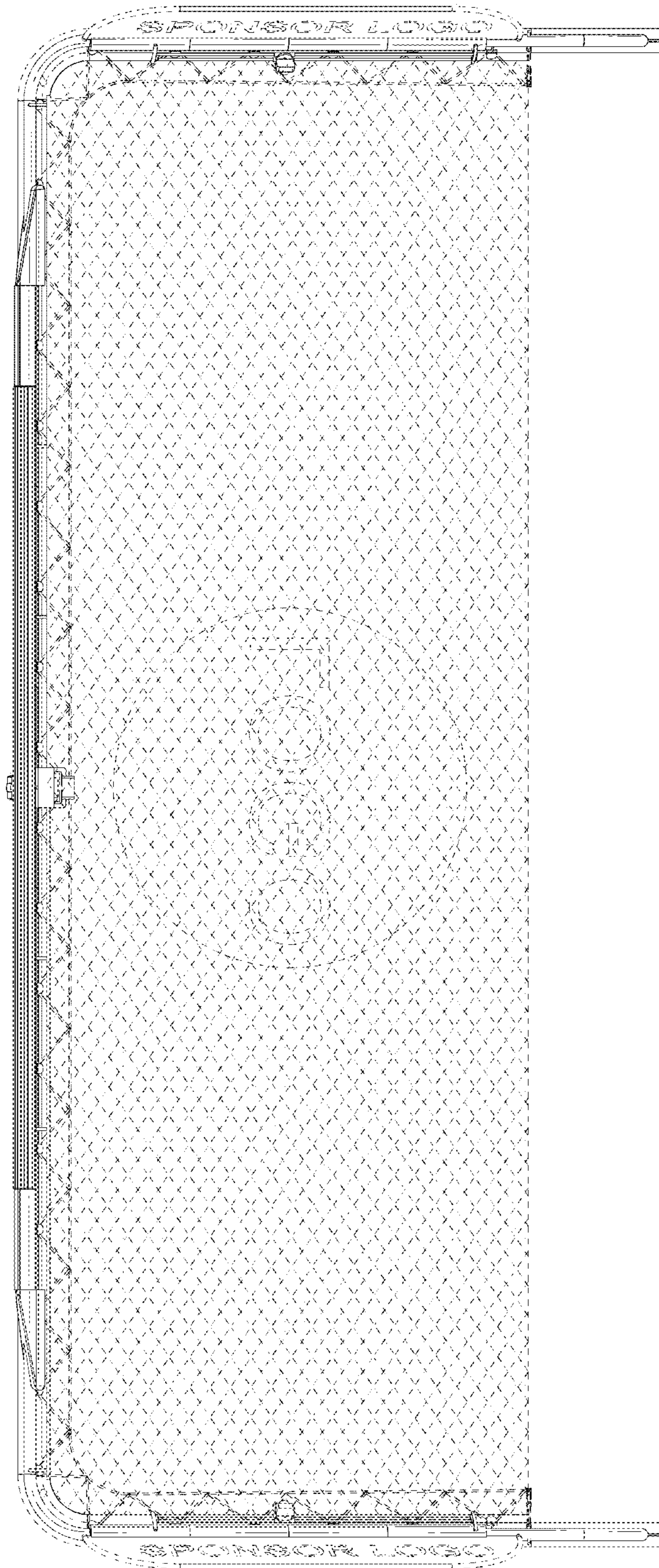


FIG. 3

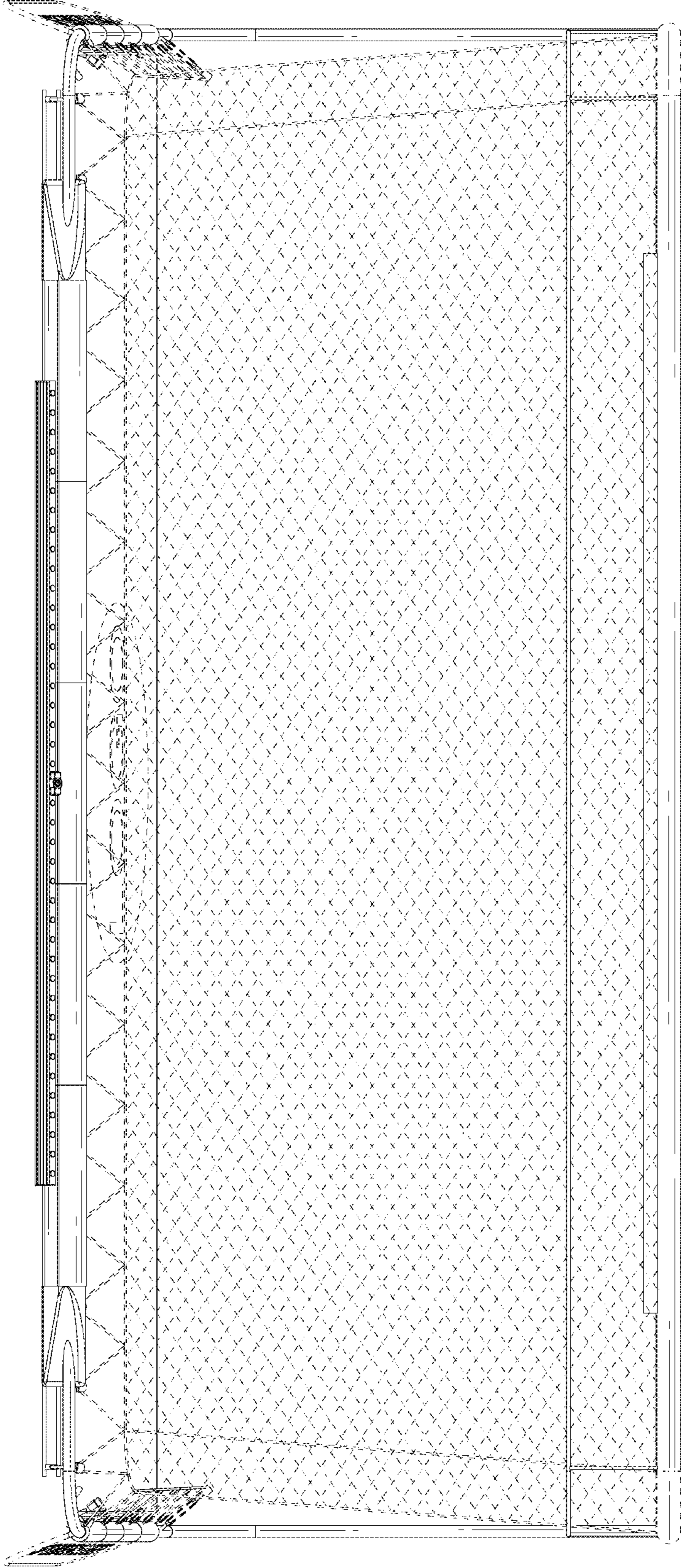


FIG. 4

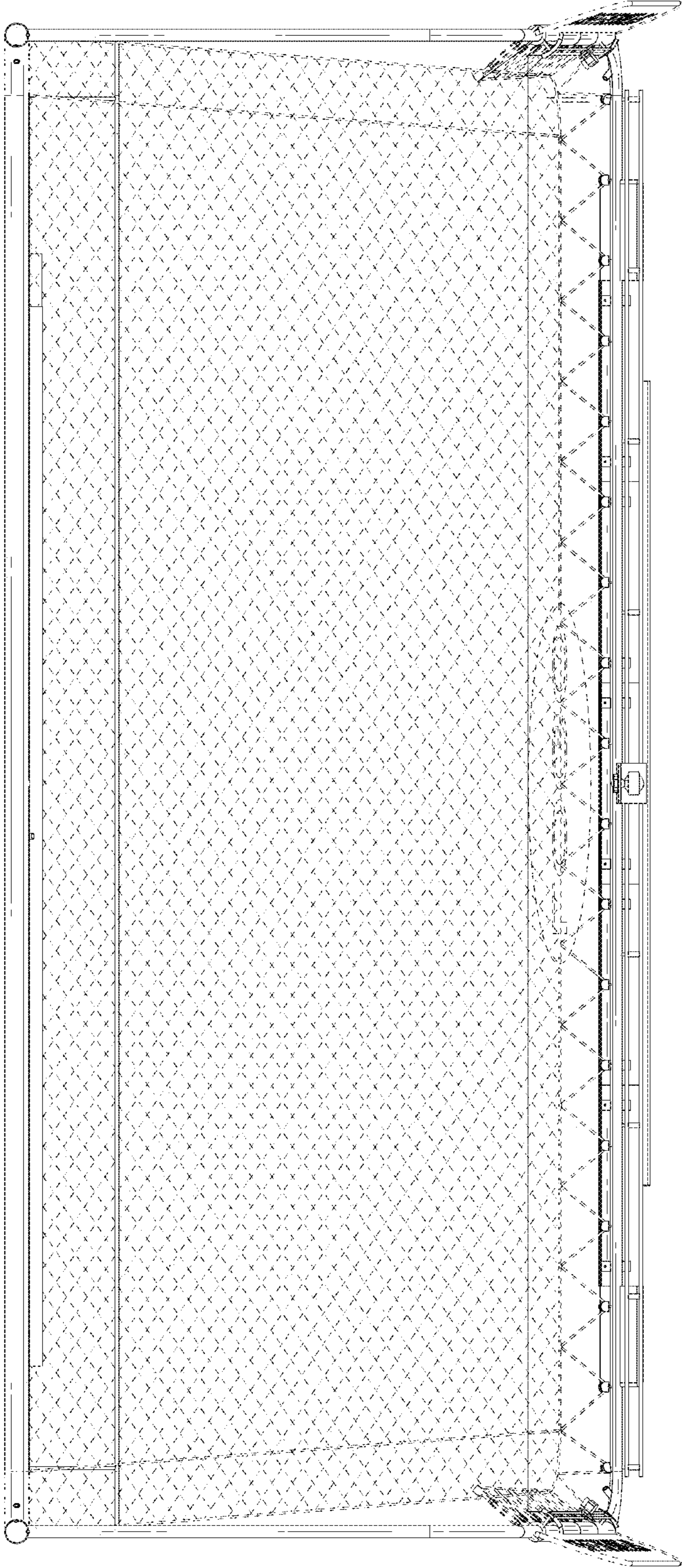


FIG. 5

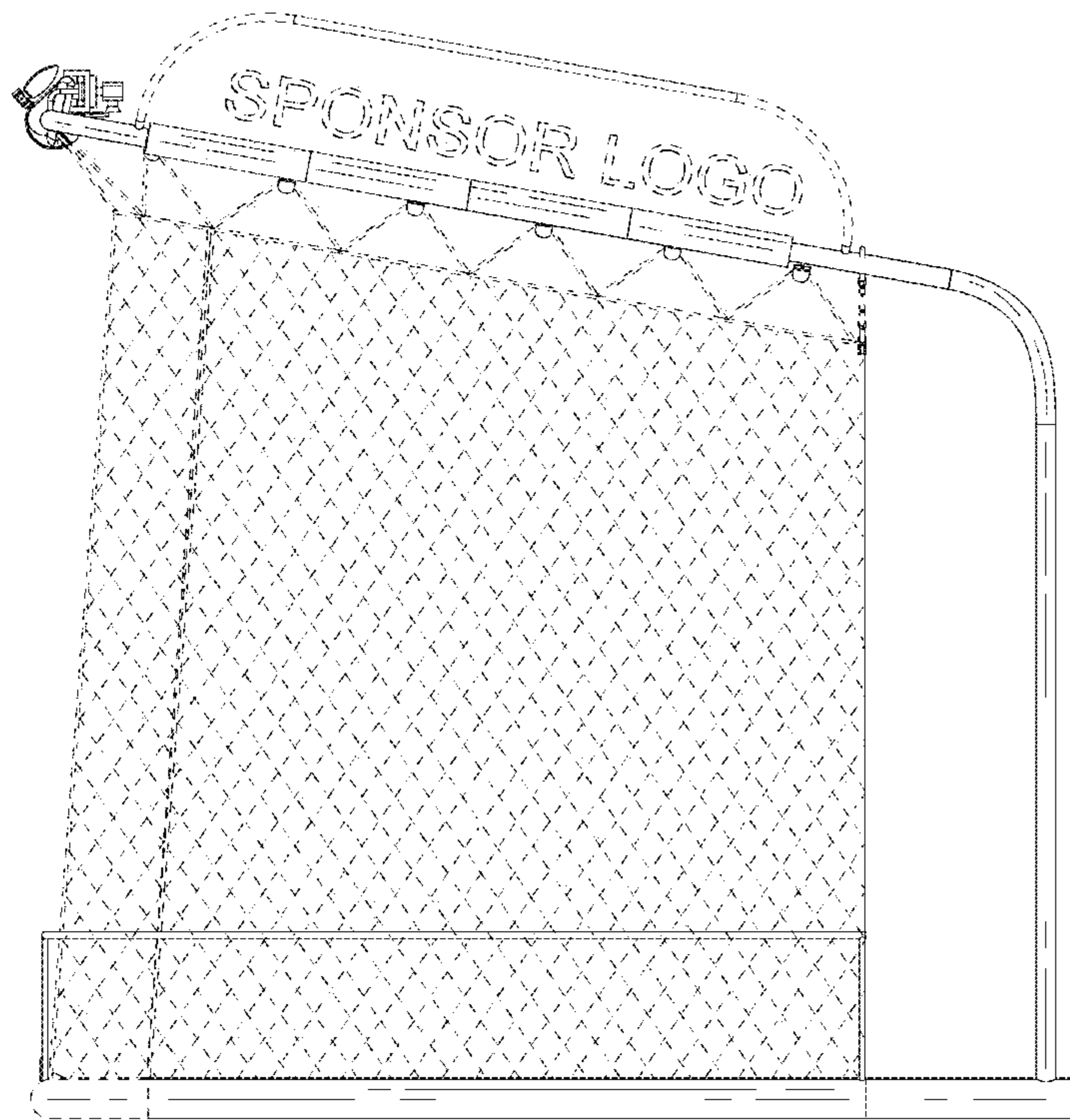


FIG. 6

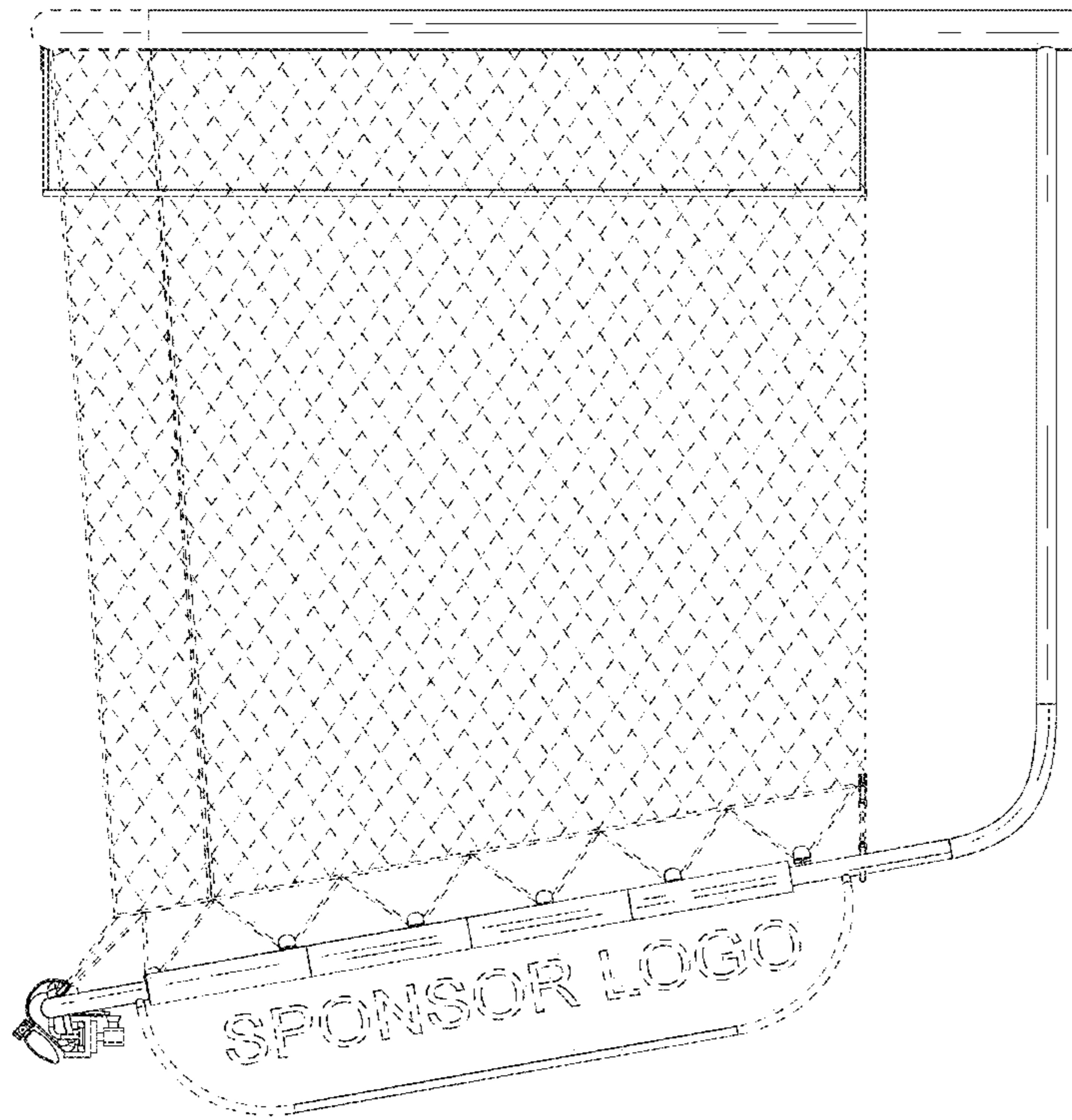


FIG. 7

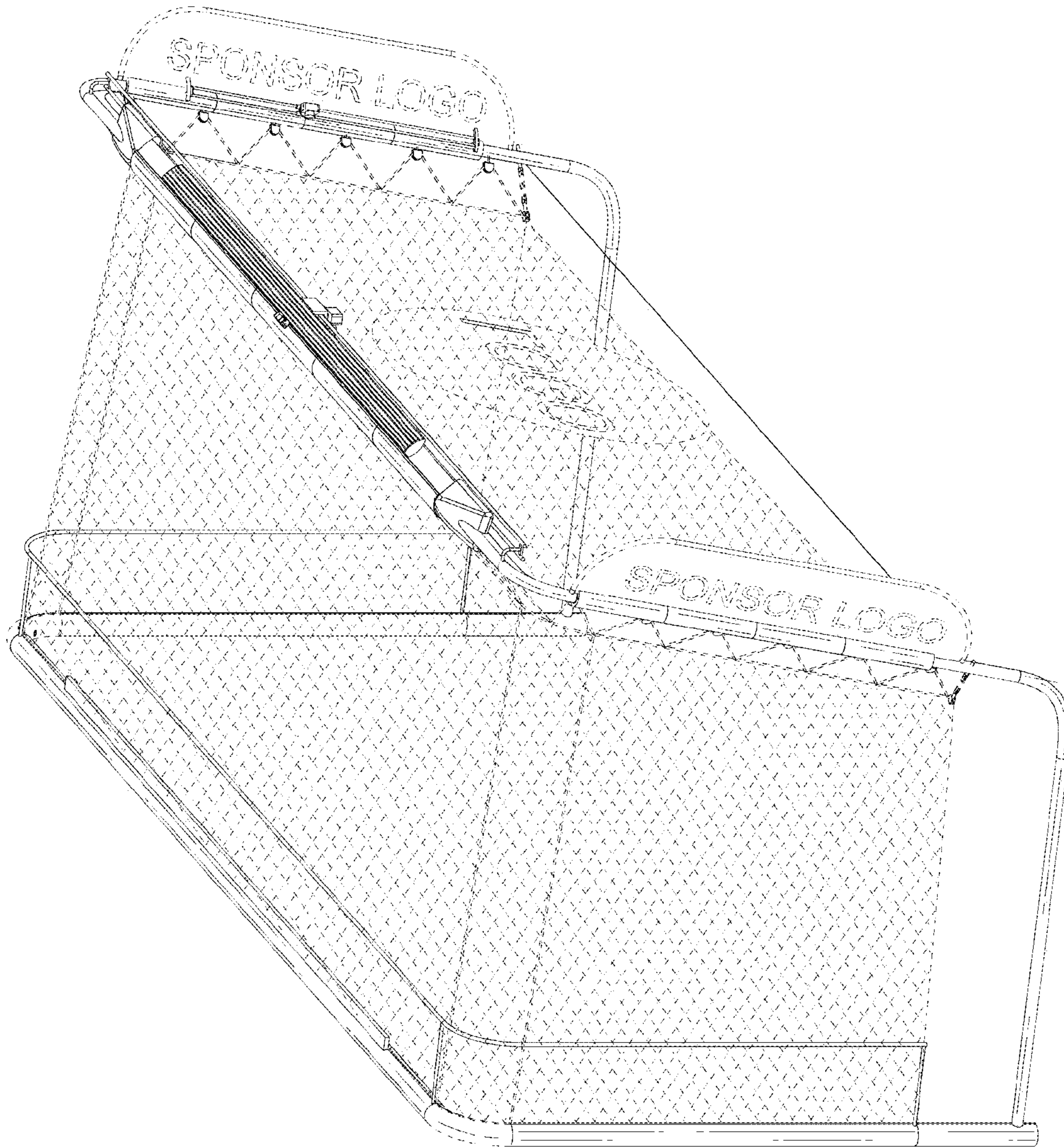


FIG. 8

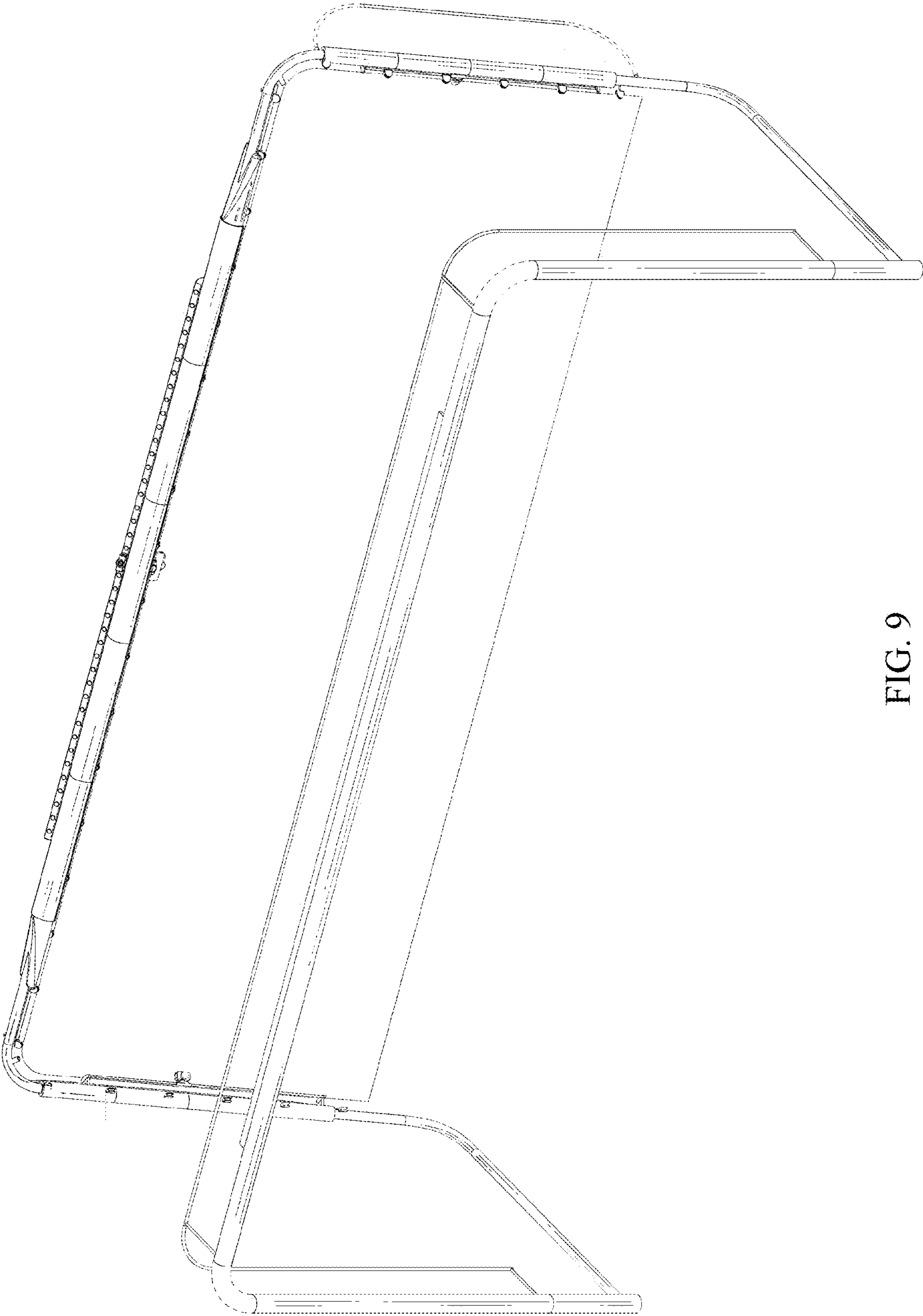


FIG. 9

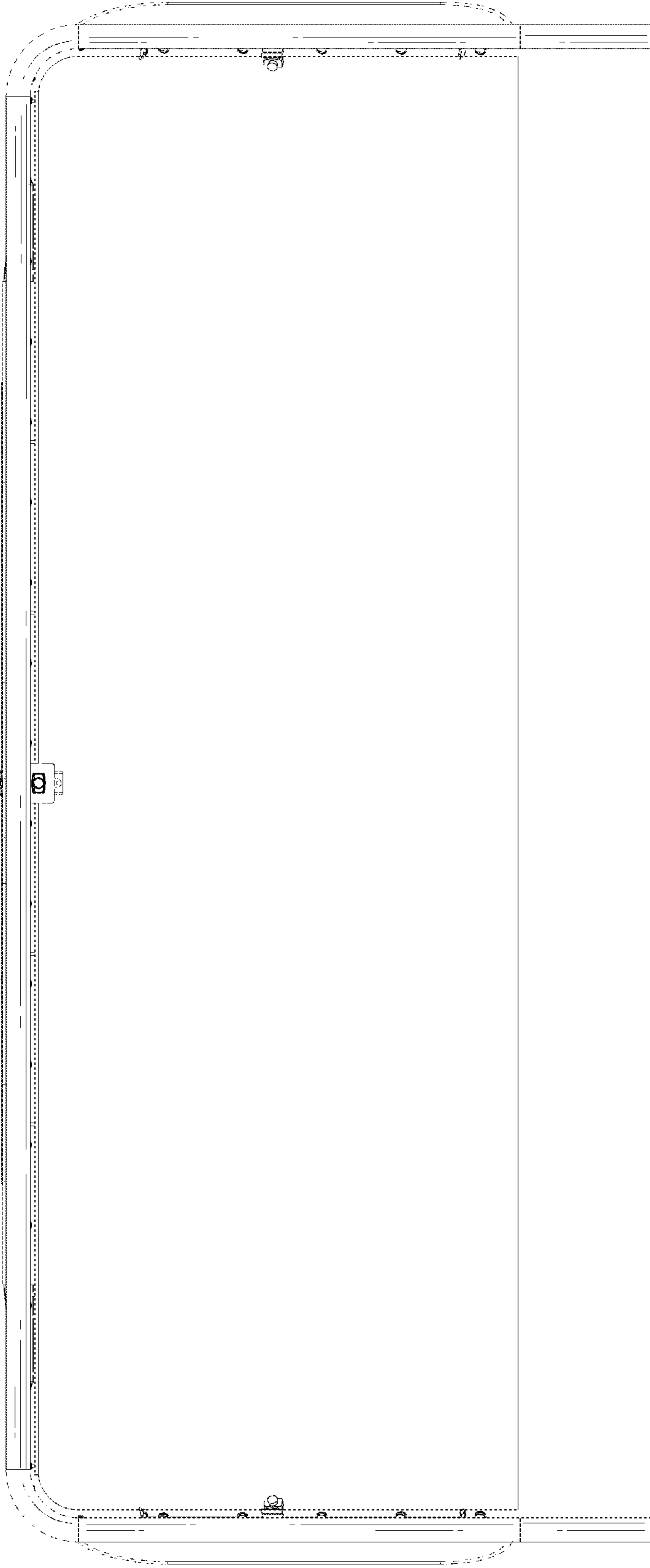


FIG. 10

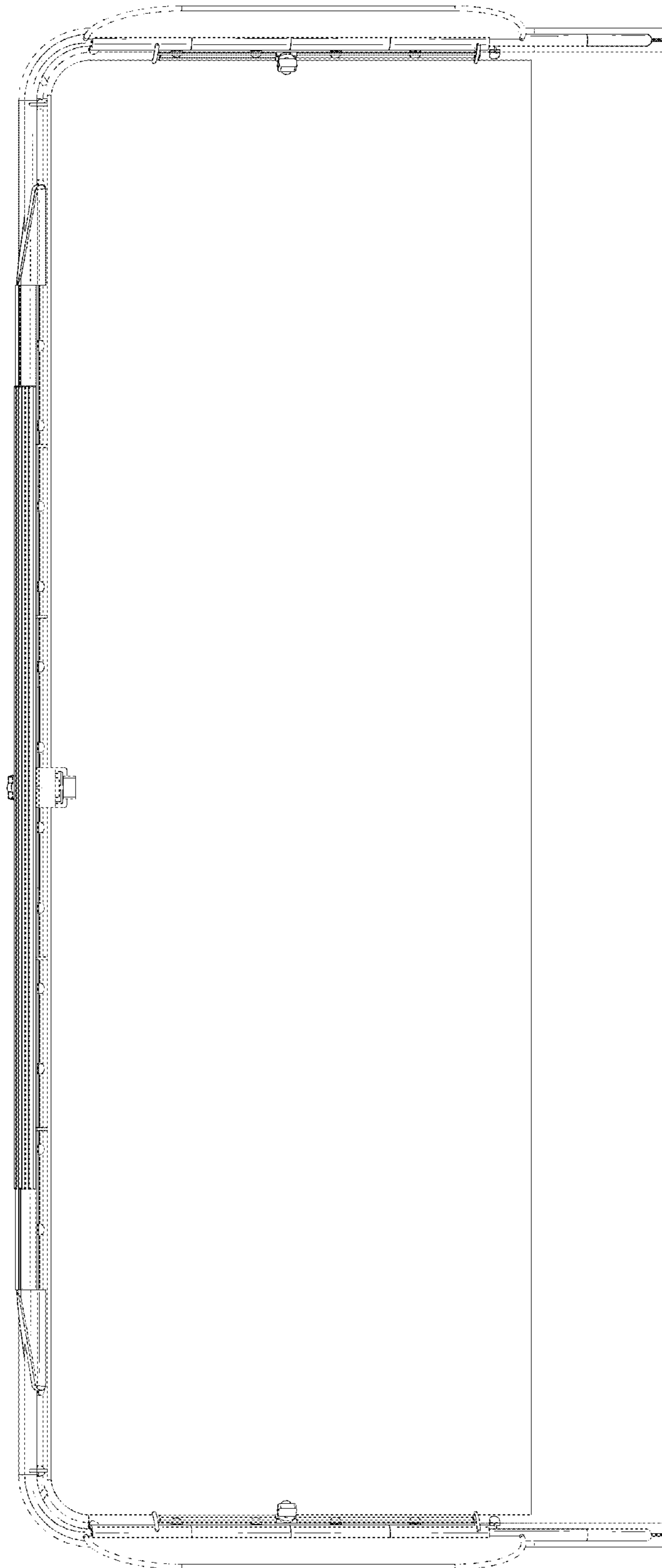


FIG. 11

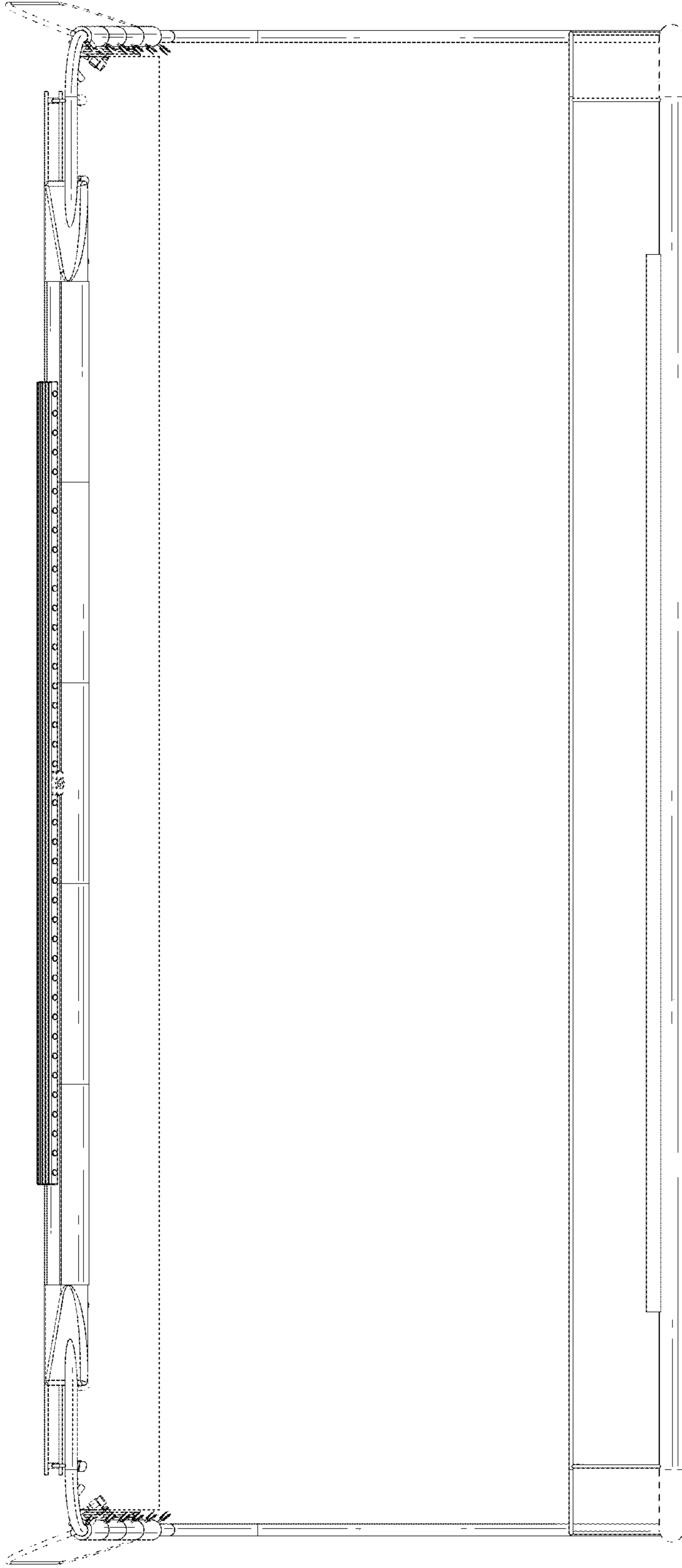


FIG. 12

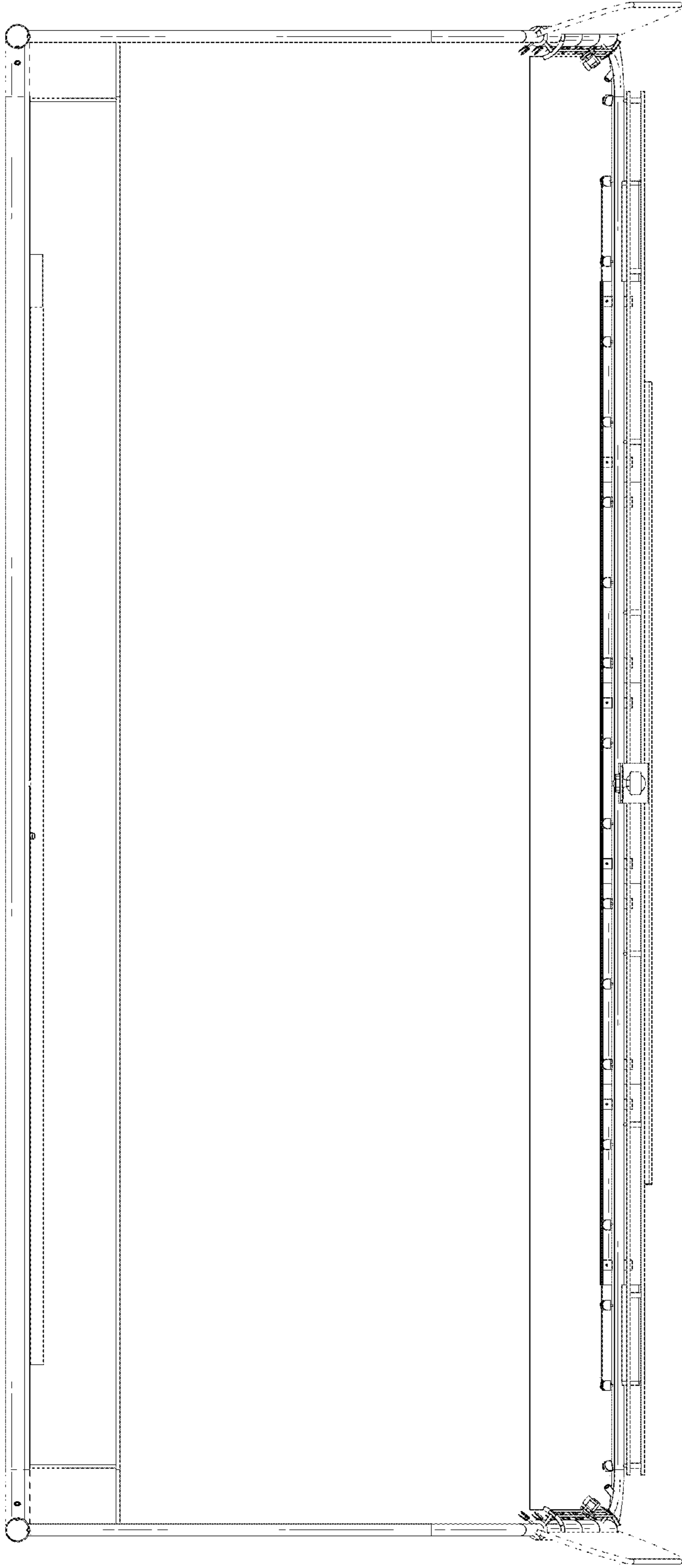


FIG. 13

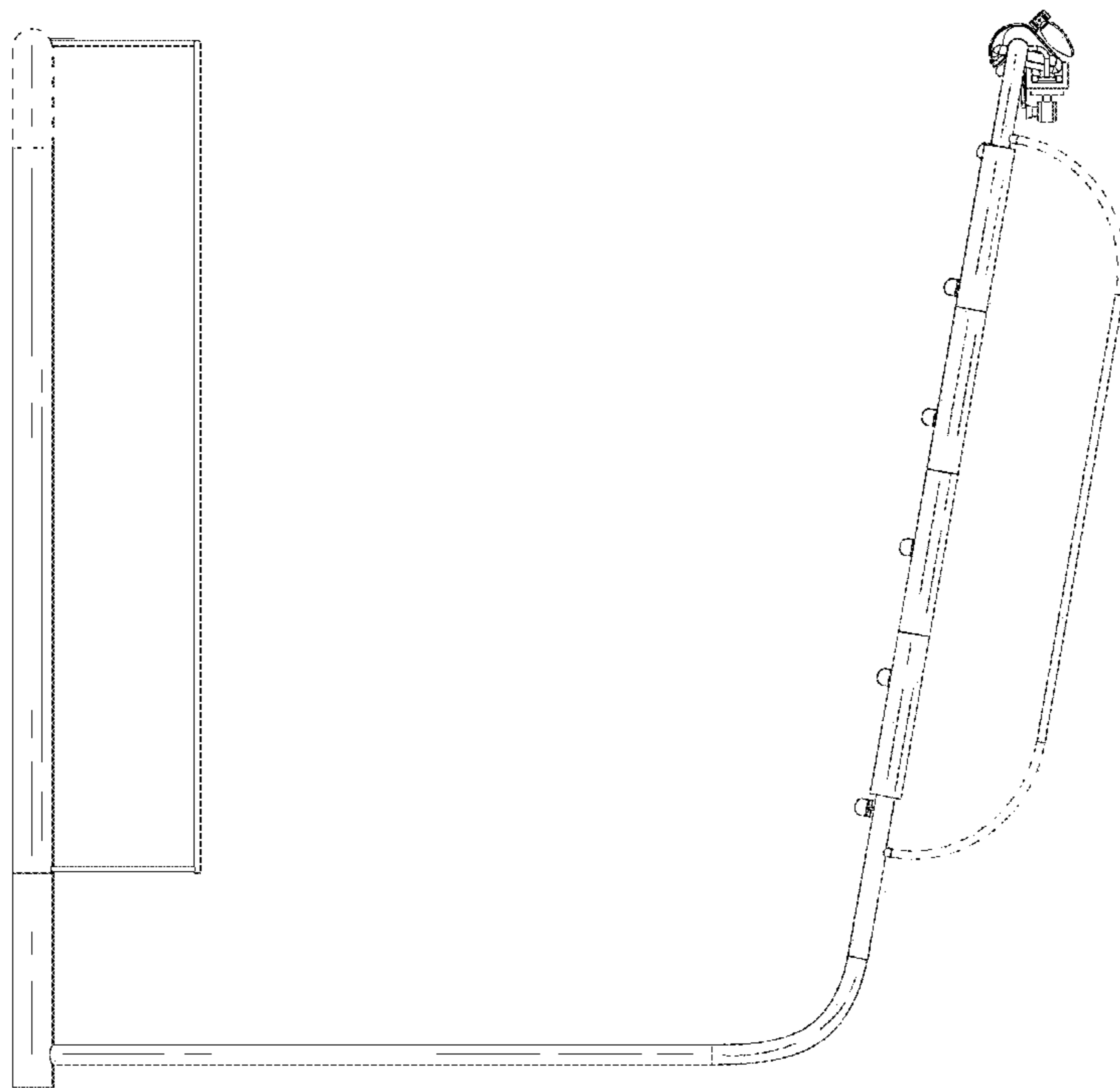


FIG. 14

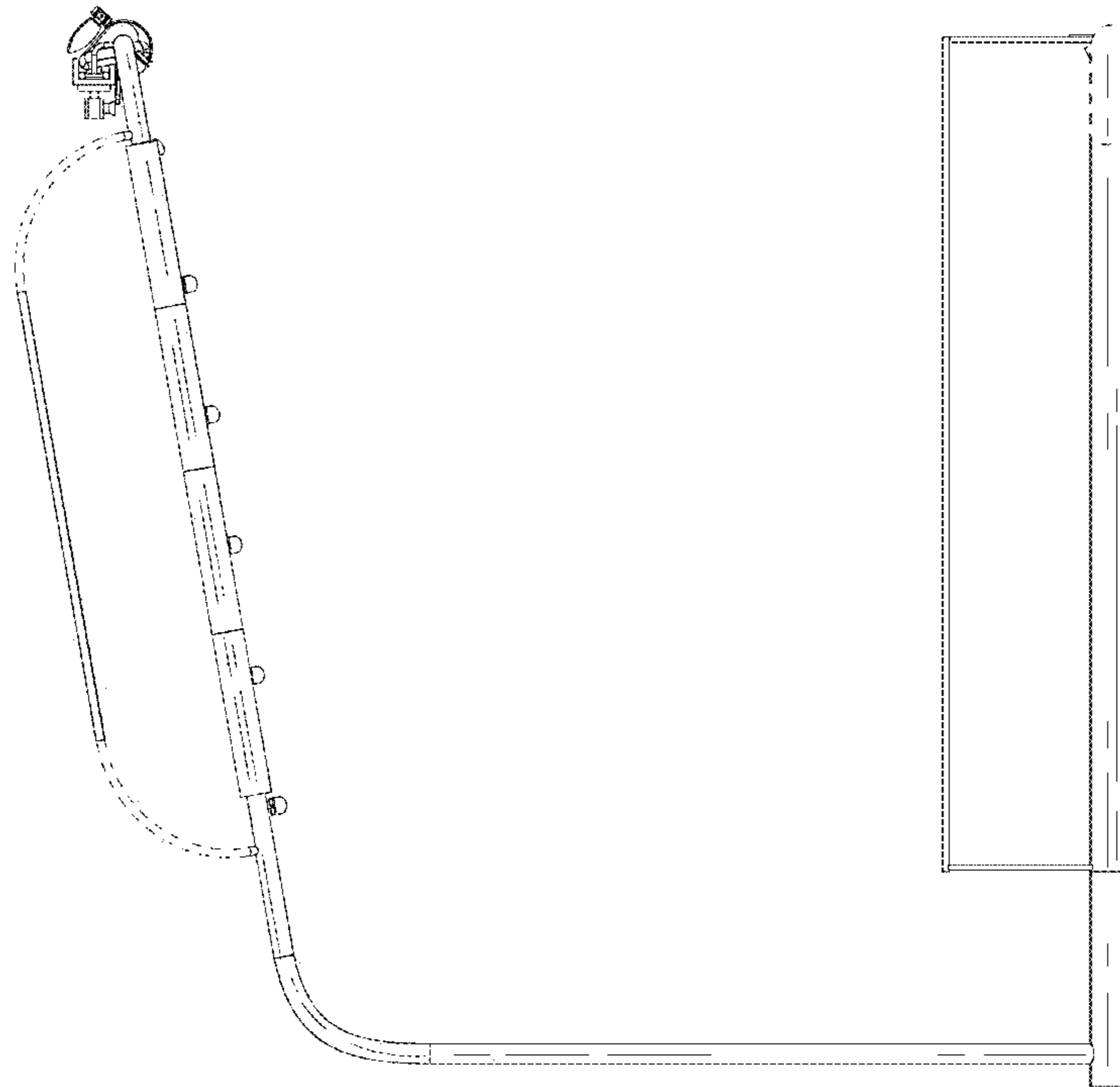


FIG. 15

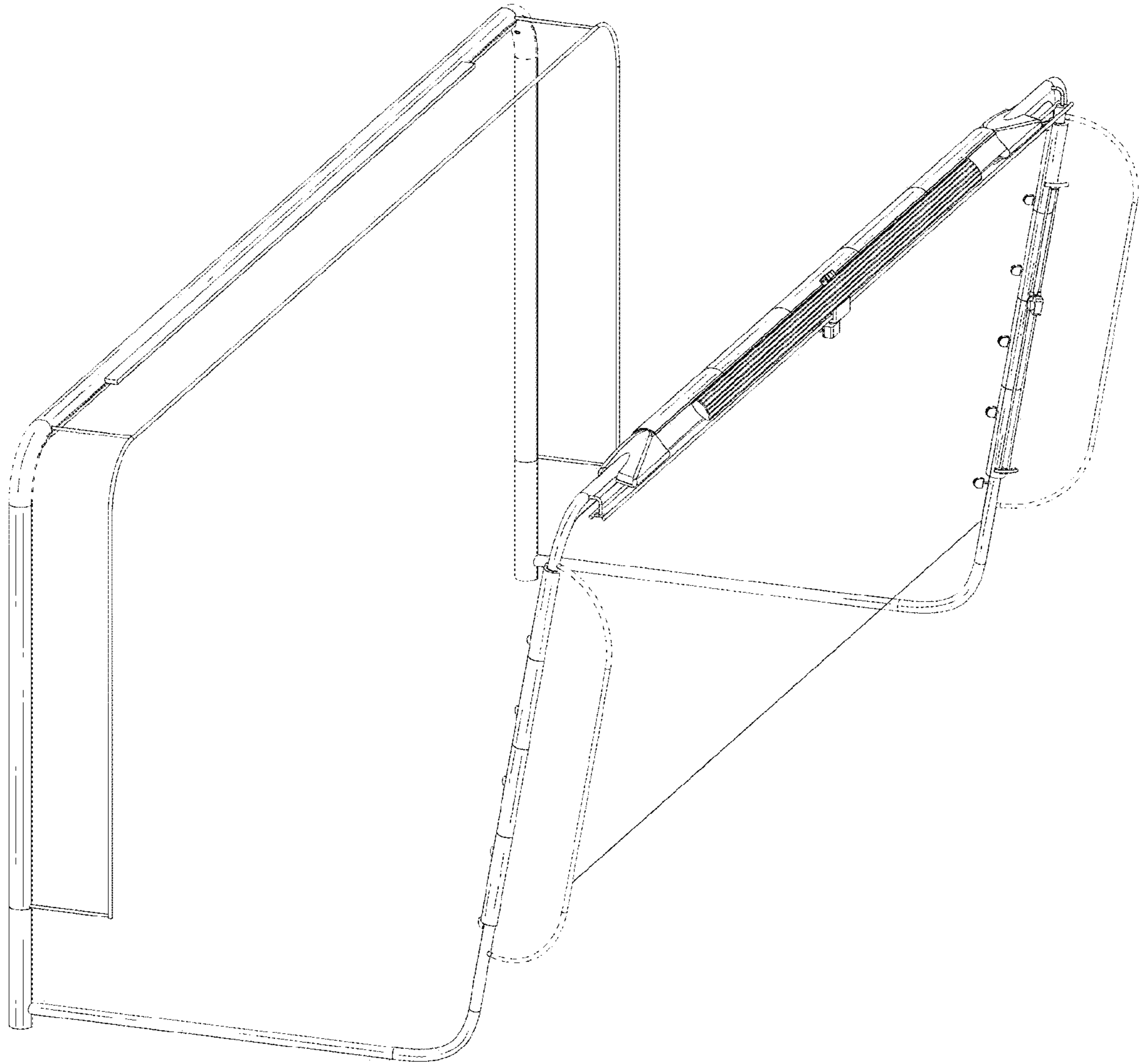


FIG. 16