



US00D892948S

(12) **United States Design Patent**
Huang

(10) **Patent No.:** **US D892,948 S**

(45) **Date of Patent:** **** *Aug. 11, 2020**

(54) **PULL UP BAR**

(71) Applicant: **Jia Huang**, Shenzhen (CN)

(72) Inventor: **Jia Huang**, Shenzhen (CN)

(*) Notice: This patent is subject to a terminal disclaimer.

(**) Term: **15 Years**

(21) Appl. No.: **29/672,245**

(22) Filed: **Dec. 4, 2018**

Related U.S. Application Data

(63) Continuation-in-part of application No. 29/660,424, filed on Aug. 21, 2018, now Pat. No. Des. 868,910.

(51) **LOC (12) Cl.** **21-02**

(52) **U.S. Cl.**
USPC **D21/679**

(58) **Field of Classification Search**
USPC D6/552; D21/679-682
CPC A63B 21/026
See application file for complete search history.

(56) **References Cited**

U.S. PATENT DOCUMENTS

5,180,350	A *	1/1993	Thomas	A63B 1/00 482/138
D348,706	S *	7/1994	Harrell	D21/691
D425,151	S *	5/2000	Landfair	D21/679
6,179,748	B1 *	1/2001	Barr	A63B 1/00 482/38
D626,187	S *	10/2010	Friedman	D21/679
D633,961	S *	3/2011	Loew	D21/679
D662,161	S *	6/2012	Miller	D21/662
D667,901	S *	9/2012	Garcia Chavez	D21/679
D686,286	S *	7/2013	Orakwusi	D21/679
D725,937	S *	4/2015	Hendricks	D6/552
9,079,085	B2 *	7/2015	McBride	A63B 69/0048
D845,045	S *	4/2019	Dunahay	D6/681.1

D849,160	S *	5/2019	Lau	D21/686
D863,467	S *	10/2019	Weng	D21/679
2005/0250619	A1 *	11/2005	Daikeler	A63B 1/00 482/40

(Continued)

OTHER PUBLICATIONS

Black Marlin Unisex Door Gym Wall Mounted Pull Up Bar For Door Frames: Published Dec. 30, 2017 [online], site visited Dec. 2, 2019. Available from Internet URL: https://www.amazon.co.uk/dp/B078MW5834/ref=cm_sw_r_tw_dp_U_x_9A5Db0646AMD (Year: 2017).*

(Continued)

Primary Examiner — Jack Reickel

Assistant Examiner — Melvin L Davis

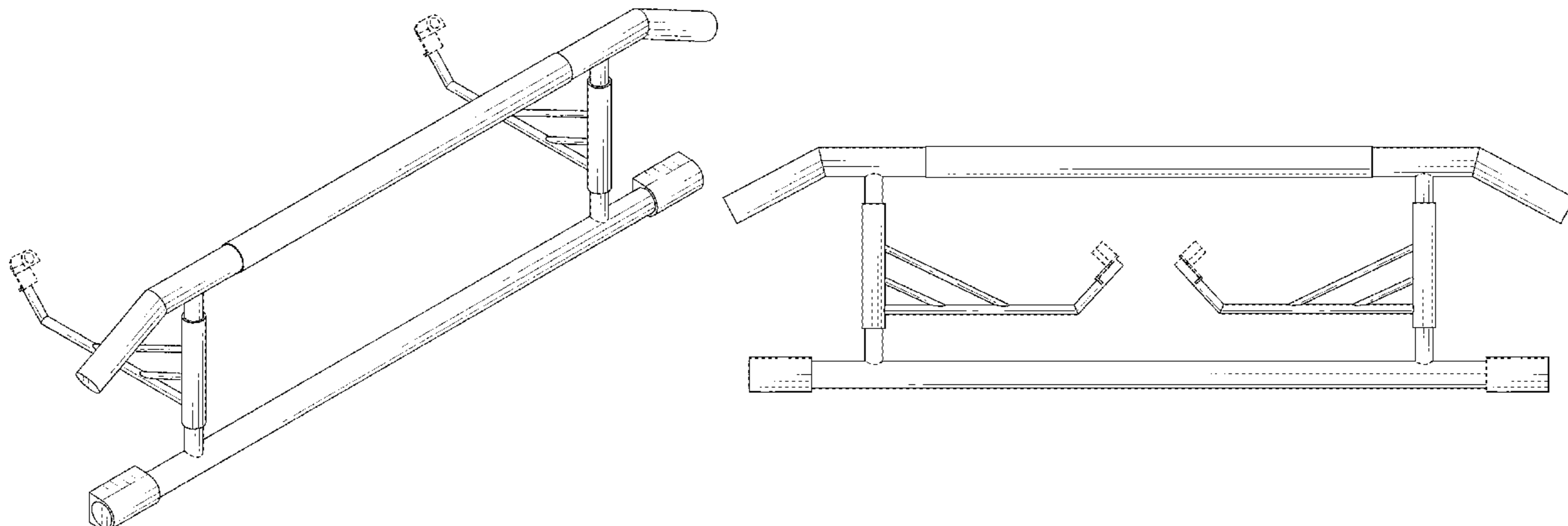
(57) **CLAIM**

The ornamental design for a pull up bar, as shown and described.

DESCRIPTION

FIG. 1 is a front-top-left perspective view of a pull up bar, showing my new design;
FIG. 2 is a back-top-left perspective view thereof;
FIG. 3 is a front elevational view thereof, with the supports folded;
FIG. 4 is a front elevational view thereof; with the supports extended;
FIG. 5 is a rear elevational view thereof,
FIG. 6 is a left elevational view thereof;
FIG. 7 is a right elevational view thereof;
FIG. 8 is a top plan view thereof; and,
FIG. 9 is a bottom plan view thereof.
The broken lines showing the mounting plates in FIGS. 1-4 and FIGS. 6-9 are included for the purpose of showing environmental structure and form no part of the claimed design.

1 Claim, 9 Drawing Sheets



(56)

References Cited

U.S. PATENT DOCUMENTS

2012/0115683 A1* 5/2012 Ross A63B 21/1636
482/38
2014/0302968 A1* 10/2014 Velikin A63B 1/00
482/40

OTHER PUBLICATIONS

Shinyever Pull Up Bar for Door Frames,Padded Handles: Published
May 8, 2019 [online], site visited Dec. 2, 2019. Available from
Internet URL: https://www.amazon.co.uk/dp/B07RK6X3N3/ref=cm_sw_r_tw_dp_U_x_58A5DbPGDEZWH (Year: 2019).*

AmazeFan Pull Up Bar Doorway with Ergonomic Grip: Published
May 1, 2019 [online], site visited Dec. 2, 2019. Available from
Internet URL: https://www.amazon.co.uk/dp/B07RDWWBBP/ref=cm_sw_r_tw_dp_U_x_o8A5Db43Z2T0W (Year: 2019).*

* cited by examiner

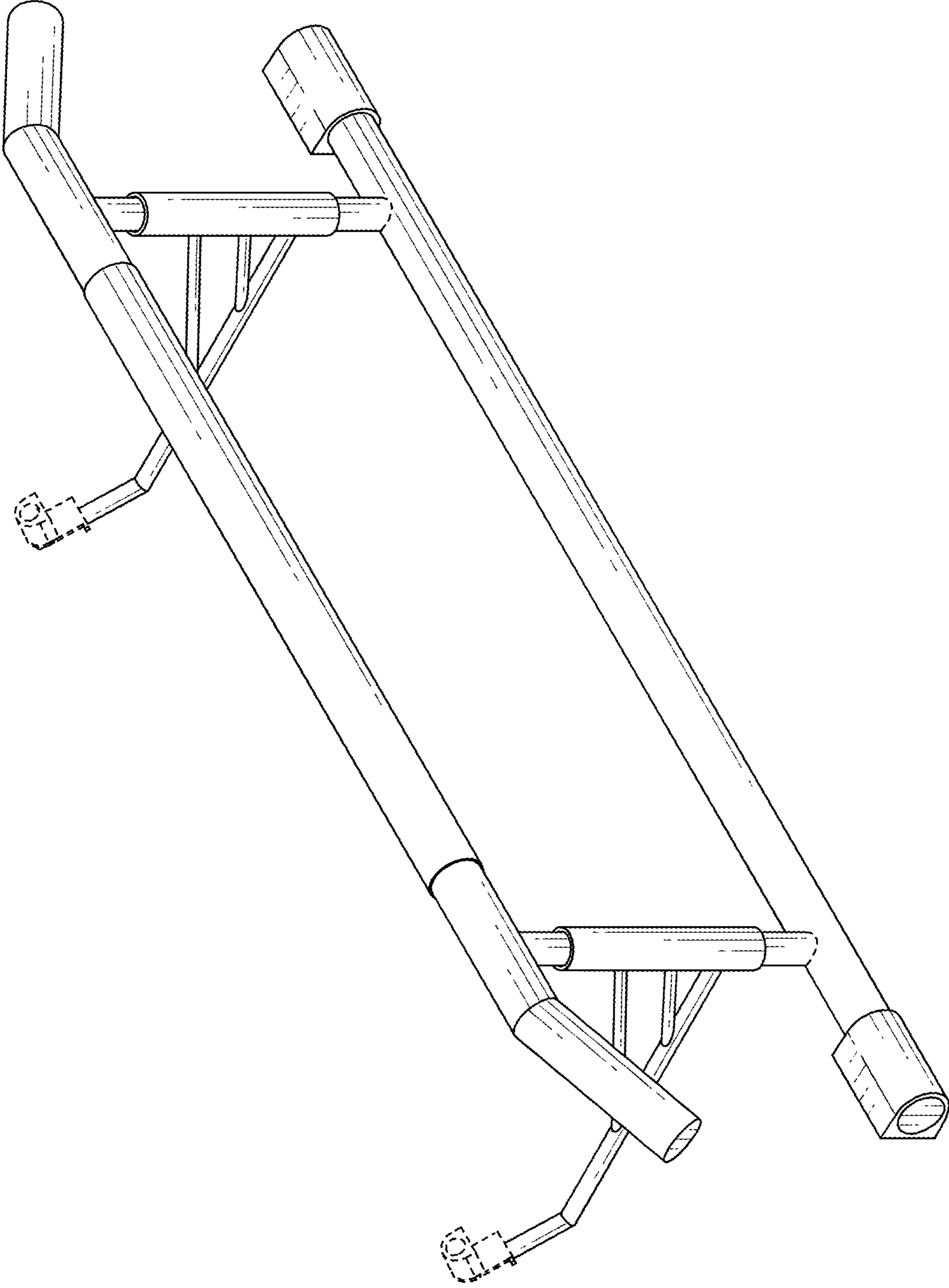


FIG. 1

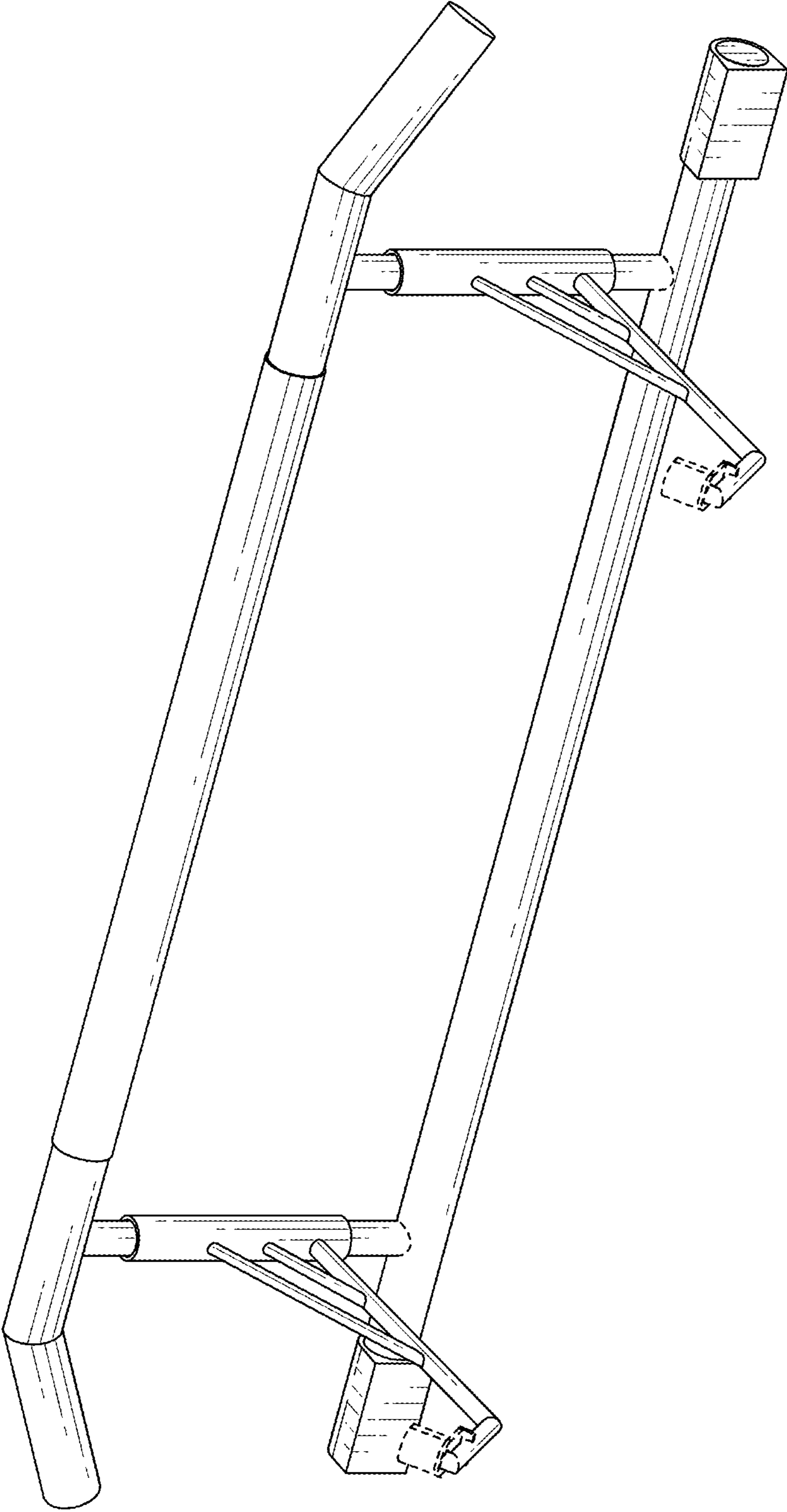


FIG. 2

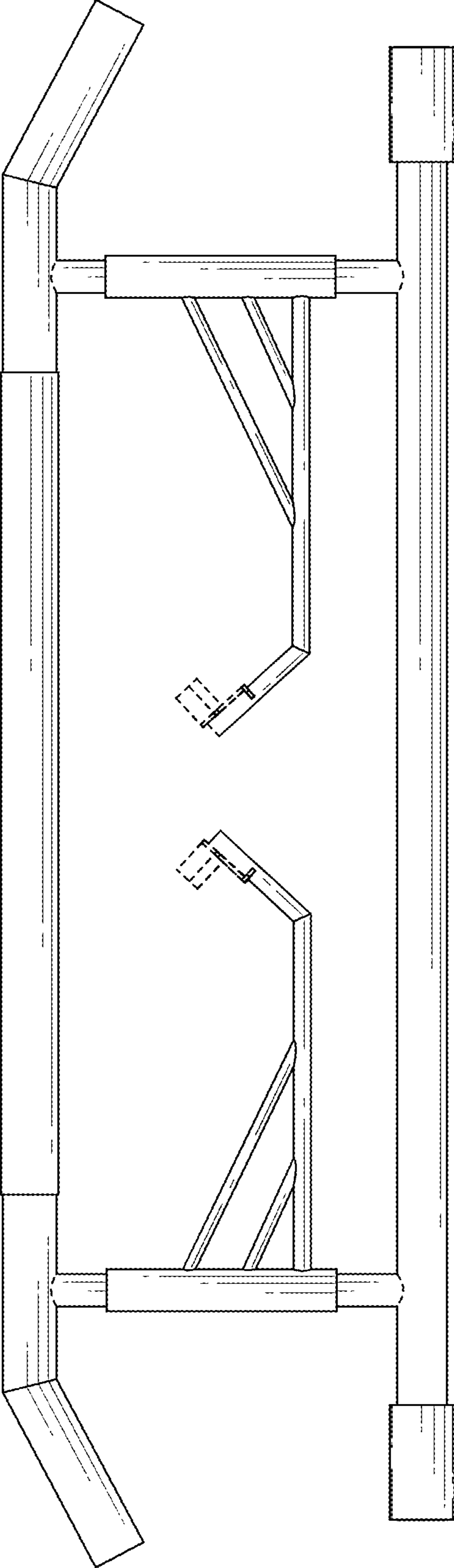


FIG. 3

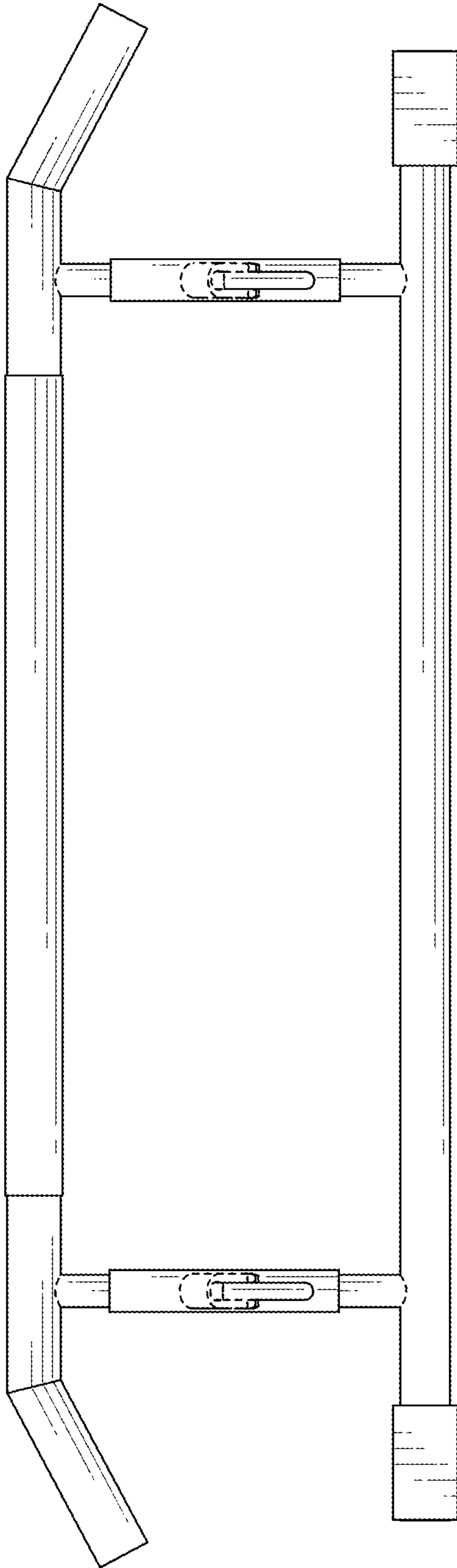


FIG. 4

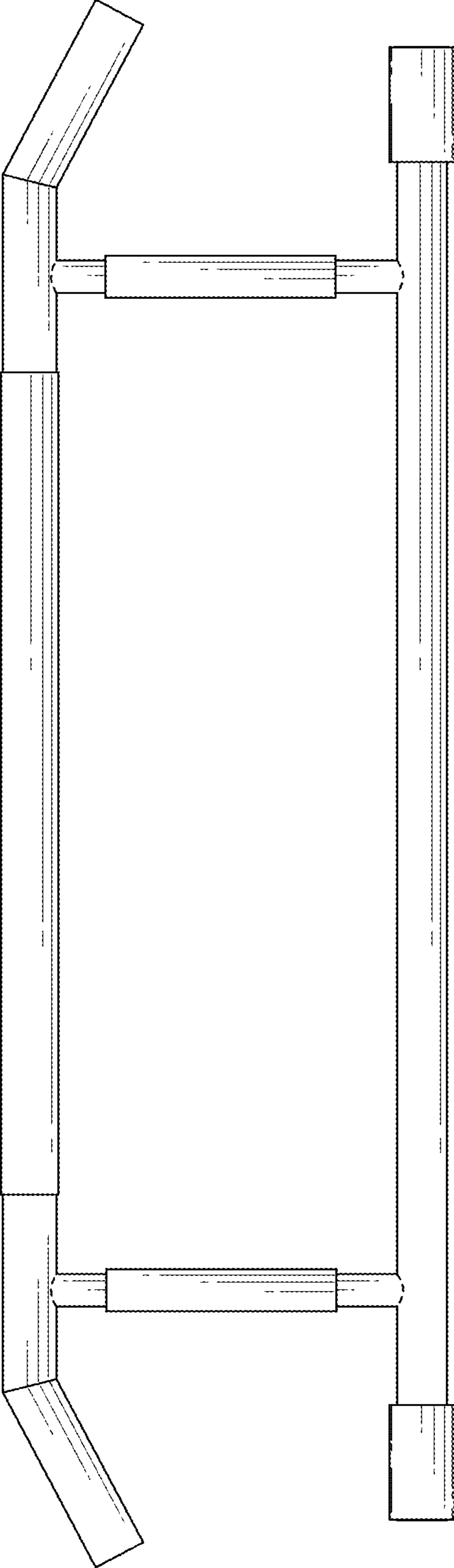


FIG. 5

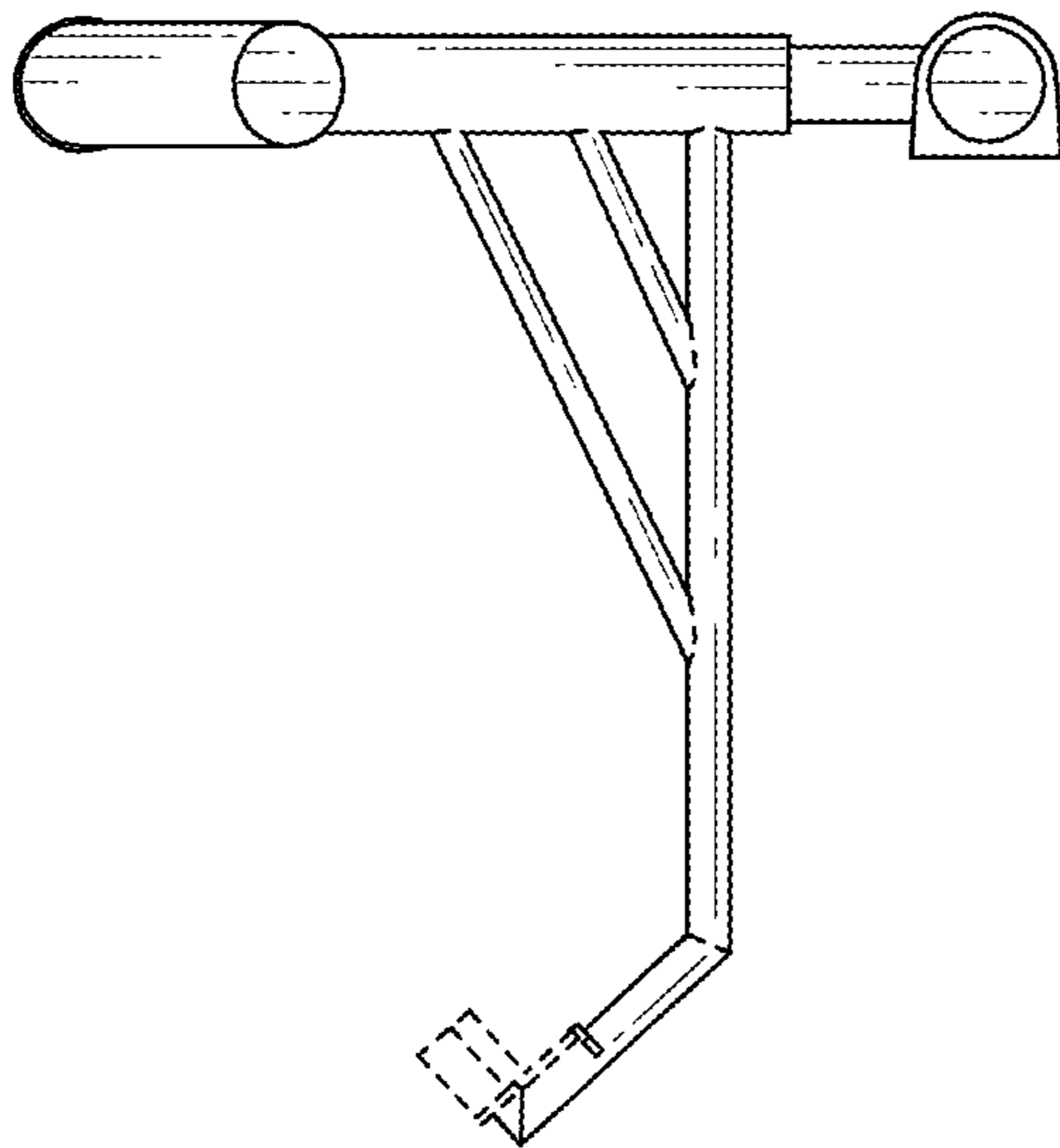


FIG. 6

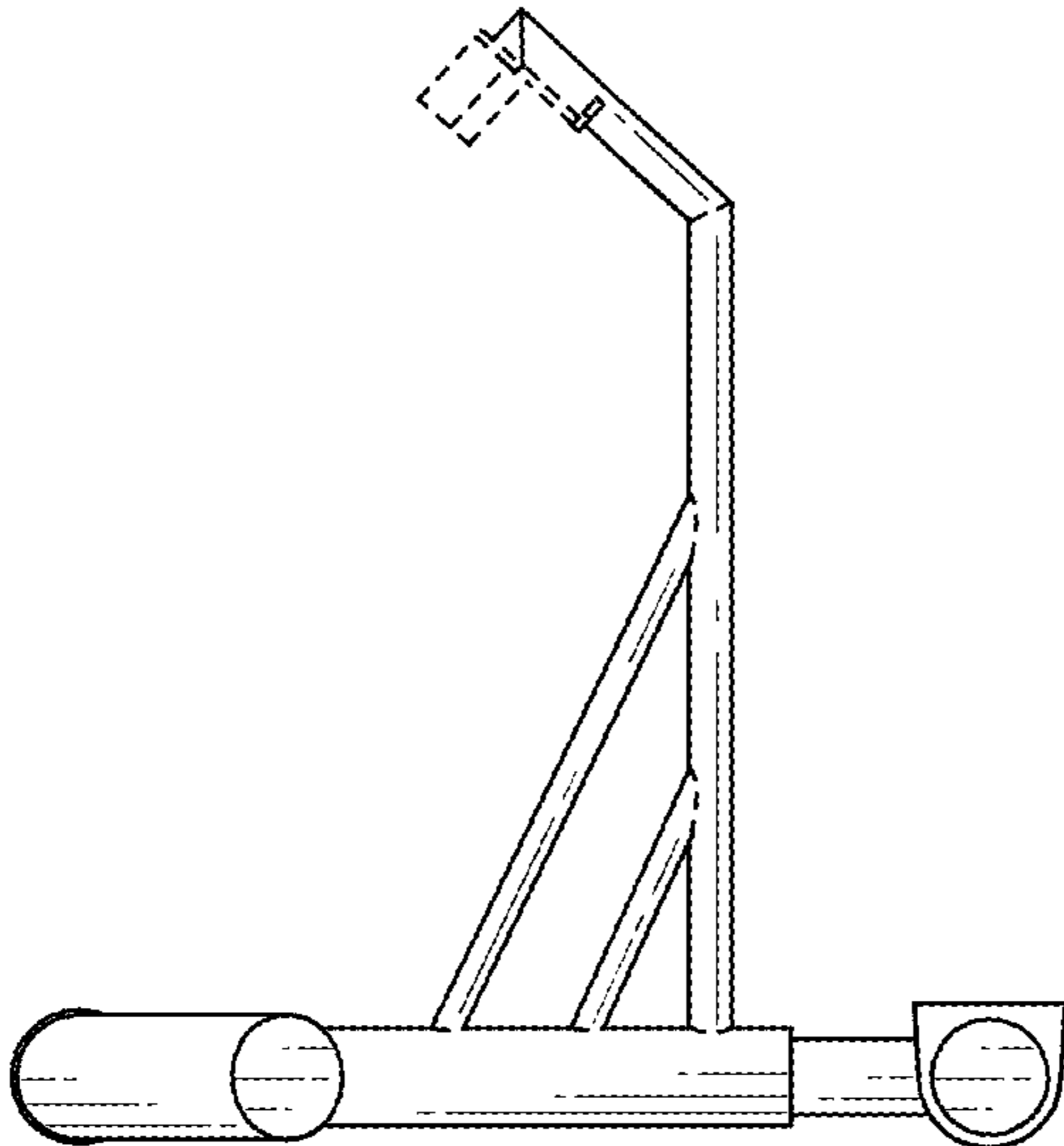


FIG. 7

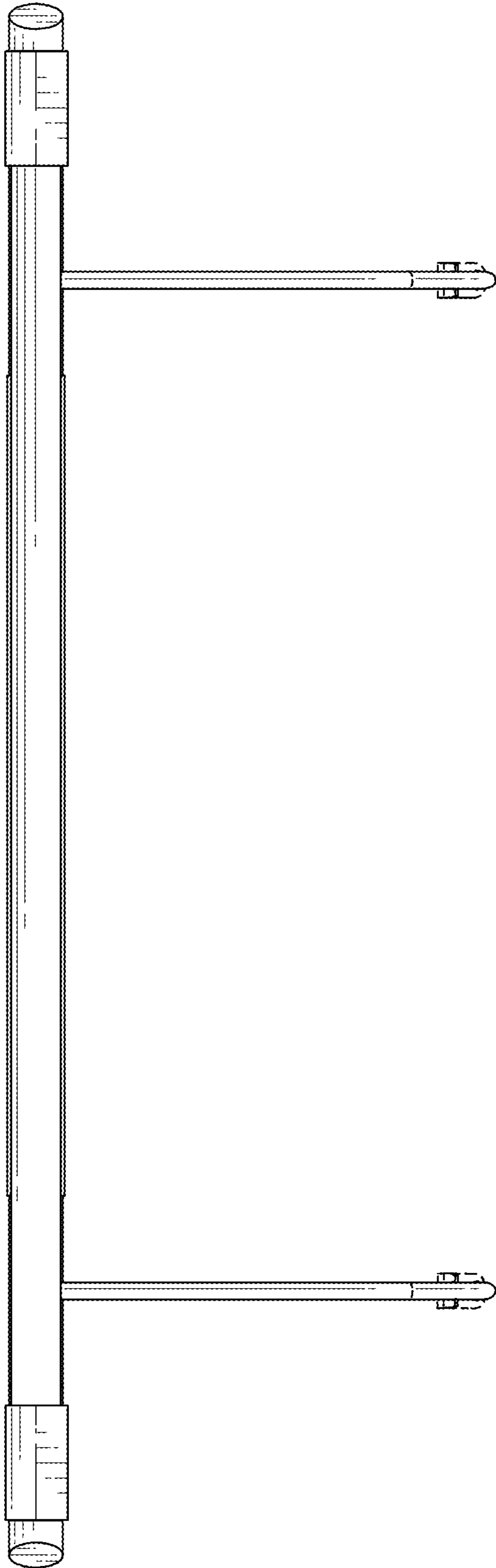


FIG. 8

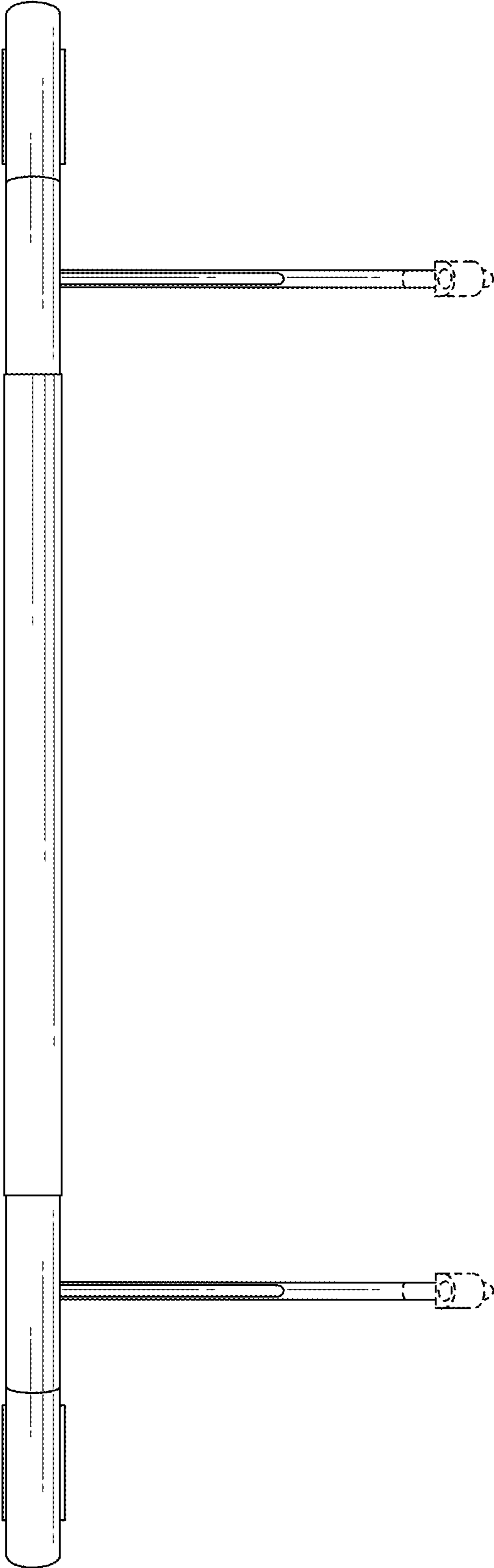


FIG. 9