



US00D892946S

(12) **United States Design Patent** (10) **Patent No.:** **US D892,946 S**
Miller et al. (45) **Date of Patent:** **** Aug. 11, 2020**

(54) **TOY VEHICLE LOOP**

FOREIGN PATENT DOCUMENTS

(71) Applicant: **Mattel, Inc.**, El Segundo, CA (US)
(72) Inventors: **Adam Miller**, Los Angeles, CA (US);
Leo Zugner, Redondo Beach, CA (US)

DE 2943762 A1 5/1981
EP 0261314 A1 3/1988
(Continued)

(73) Assignee: **Mattel, Inc.**, El Segundo, CA (US)
(**) Term: **15 Years**

OTHER PUBLICATIONS

<https://www.amazon.com/dp/B07MX1XZLT/> (Year: 2019).*

(21) Appl. No.: **29/651,569**

Primary Examiner — Manpreet S Matharu
Assistant Examiner — Keith J Wilson

(22) Filed: **Sep. 21, 2018**

(74) *Attorney, Agent, or Firm* — Edell, Shapiro & Finnan, LLC

(51) **LOC (12) Cl.** **21-01**

(57) **CLAIM**

(52) **U.S. Cl.**
USPC **D21/565**

The ornamental design for a toy vehicle loop, as shown and described.

(58) **Field of Classification Search**
USPC D21/340, 456, 567, 568, 818–819
CPC A63H 29/08; A63H 18/00; A63H 33/009;
A63F 7/36; A63F 7/28; A63F 7/24; A63F
7/34; A63F 9/24

DESCRIPTION

See application file for complete search history.

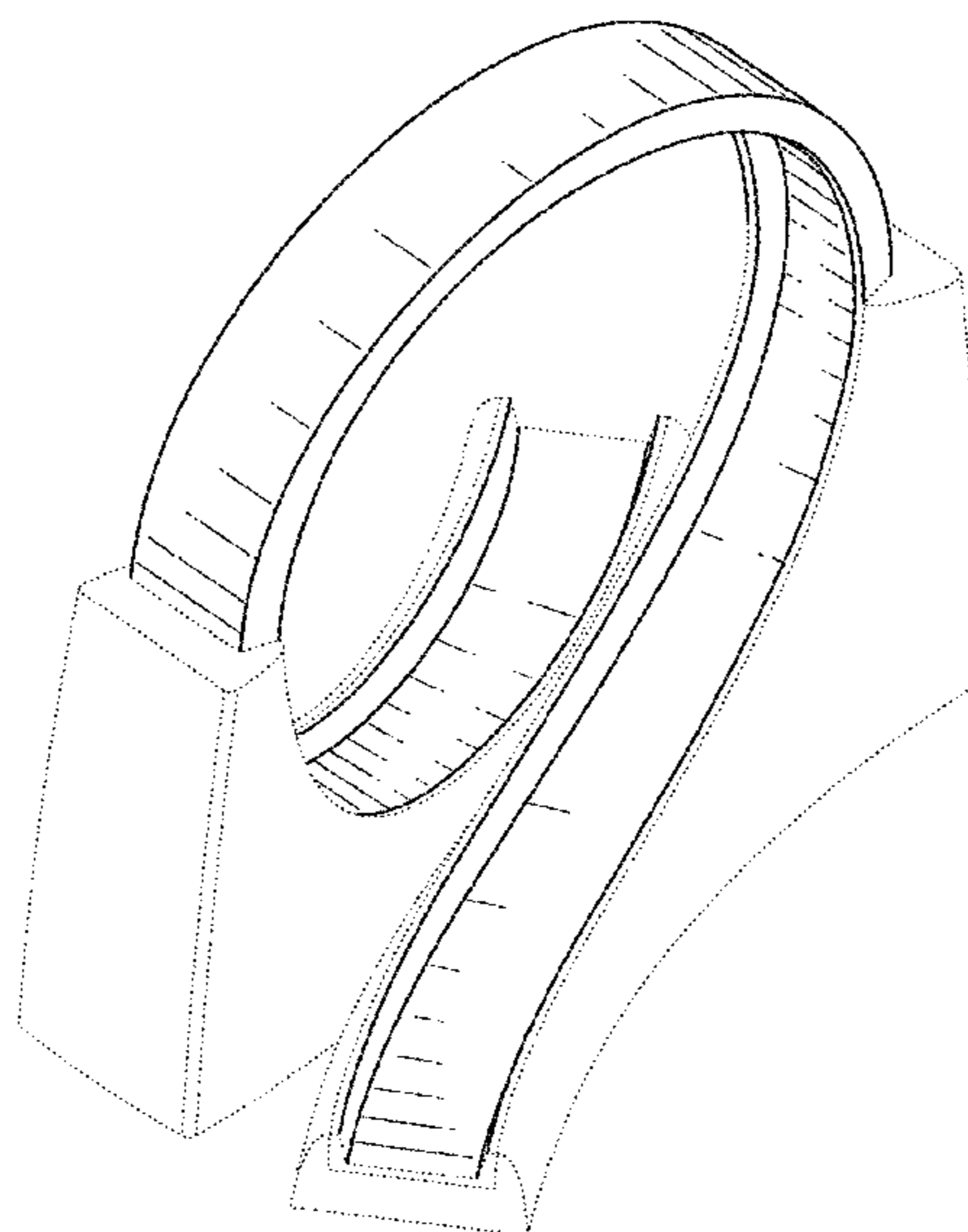
FIG. 1 is a perspective view of a new design for a toy vehicle loop;
FIG. 2 is a front view thereof;
FIG. 3 is a rear view thereof;
FIG. 4 is a left side view thereof;
FIG. 5 is a right side view thereof;
FIG. 6 is a top view thereof;
FIG. 7 is a bottom view thereof;
FIG. 8 is a bottom perspective view thereof;
FIG. 9 is a perspective view of another embodiment of the design for a toy vehicle loop;
FIG. 10 is a front view thereof;
FIG. 11 is a rear view thereof;
FIG. 12 is a left side view thereof;
FIG. 13 is a right side view thereof;
FIG. 14 is a top view thereof;
FIG. 15 is a bottom view thereof; and,
FIG. 16 is a bottom perspective view thereof.
The broken lines shown represents portions of a toy vehicle loop and form no part of the claimed design.

(56) **References Cited**

U.S. PATENT DOCUMENTS

712,407 A 10/1902 Prescott
719,200 A 1/1903 Dean
723,525 A 3/1903 Hagen
1,209,127 A 12/1916 Corey
1,568,492 A 1/1926 Zabel
1,572,356 A 2/1926 Gunderman
1,572,649 A 2/1926 Gunderman
1,599,699 A 9/1926 Zabel
1,603,180 A 10/1926 Zabel
1,606,205 A 11/1926 Zabel
2,392,722 A 1/1946 Burlin
2,532,521 A 12/1950 Stair
2,729,914 A * 1/1956 Cook A63F 7/3622
446/168
2,786,300 A 3/1957 Fong
(Continued)

1 Claim, 16 Drawing Sheets



(56)

References Cited

U.S. PATENT DOCUMENTS

3,209,491 A 10/1965 Roper
 3,411,783 A 11/1968 Montagna
 3,542,366 A 11/1970 Schocker
 3,604,148 A 9/1971 Neuhlerl
 3,677,469 A 7/1972 Edmisson et al.
 3,735,923 A 5/1973 Brigham et al.
 4,037,355 A * 7/1977 Street A63F 7/3622
 446/173
 D248,887 S * 8/1978 Tanaka D21/564
 D260,412 S * 8/1981 Hirano D21/564
 4,394,961 A 7/1983 Muller
 D271,120 S * 10/1983 Matsumoto D21/564
 4,425,735 A 1/1984 Kulesza et al.
 D277,205 S * 1/1985 Suzuki D21/564
 4,516,953 A 5/1985 Hippely et al.
 4,553,749 A * 11/1985 Bender A63F 7/3622
 273/459
 4,558,867 A 12/1985 Hippely
 D289,666 S * 5/1987 Udagawa D21/564
 D290,145 S * 6/1987 Wichman D21/565
 4,713,038 A * 12/1987 Wichman A63F 7/02
 446/168
 D294,044 S * 2/1988 Wichman D21/565
 4,767,053 A 8/1988 Cook et al.
 D300,644 S * 4/1989 Udagawa D21/564
 D302,032 S * 7/1989 Kamikawa D21/564
 D305,044 S * 12/1989 Klitsner D21/565
 D305,047 S * 12/1989 Klitsner D21/565
 D305,443 S * 1/1990 Klitsner D21/565
 D305,556 S * 1/1990 Lo D21/564
 4,932,917 A * 6/1990 Klitsner A63F 7/3622
 446/168
 4,943,048 A * 7/1990 Hentges A63G 21/00
 182/49
 5,007,876 A * 4/1991 Klitsner A63F 7/3622
 446/168
 5,102,133 A 4/1992 Chilton et al.
 5,118,320 A 6/1992 Miller
 5,299,969 A 4/1994 Zaruba
 5,312,285 A * 5/1994 Rieber A63F 7/3622
 273/109
 5,344,143 A * 9/1994 Yule A63F 7/3622
 273/118 R
 5,427,574 A * 6/1995 Donnelly-Weide A63G 21/00
 104/69
 5,586,923 A 12/1996 Hippely et al.
 5,871,385 A 2/1999 Hippely et al.
 5,899,789 A 5/1999 Rehkemper et al.
 D422,652 S * 4/2000 Watanabe D21/564
 6,074,269 A * 6/2000 Rothbarth A63F 7/3622
 238/10 R
 D436,383 S * 1/2001 Chesler D21/404
 D437,365 S * 2/2001 Flicek D21/456
 D438,279 S * 2/2001 Robertson D21/818
 6,241,573 B1 6/2001 Ostendorff et al.
 6,358,112 B1 3/2002 Lambert et al.
 D457,198 S * 5/2002 Yamazaki D21/456
 6,478,654 B1 11/2002 Rehkemper et al.
 6,536,763 B1 * 3/2003 Braun A63F 7/3622
 273/118 R
 D495,022 S * 8/2004 Auberger D21/818
 6,783,419 B1 8/2004 Paukert et al.

6,913,508 B2 7/2005 Hornsby et al.
 D558,850 S * 1/2008 Banta D21/818
 7,770,811 B2 8/2010 Belding
 7,775,850 B2 * 8/2010 Todokoro A63H 23/10
 446/156
 7,794,301 B2 9/2010 Ostendorff et al.
 7,819,720 B2 10/2010 Nuttall et al.
 7,857,679 B2 * 12/2010 O'Connor A63H 18/02
 446/429
 7,901,266 B2 * 3/2011 Ostendorff A63H 18/04
 104/53
 7,963,821 B2 6/2011 Ostendorff
 D641,807 S * 7/2011 Hornsby D21/564
 8,074,945 B2 * 12/2011 Schoenau F16L 5/14
 248/316.6
 8,192,246 B2 * 6/2012 Ostendorff A63H 18/028
 446/429
 8,256,721 B2 9/2012 O'Connor et al.
 8,323,069 B2 12/2012 Nuttall et al.
 8,382,553 B2 2/2013 O'Connor
 D699,805 S * 2/2014 Green D21/818
 8,690,632 B2 4/2014 O'Connor et al.
 8,747,180 B2 * 6/2014 O'Connor A63H 17/008
 446/168
 8,801,492 B2 8/2014 O'Connor et al.
 8,814,628 B2 8/2014 O'Connor et al.
 D712,491 S * 9/2014 Hornsby D21/564
 D718,823 S * 12/2014 Cunningham D21/565
 8,944,339 B2 * 2/2015 Ostendorff A63H 18/028
 238/10 A
 8,944,881 B2 2/2015 Payne
 8,951,091 B2 2/2015 Payne
 9,314,704 B2 * 4/2016 Ostendorff A63H 18/025
 9,314,705 B2 4/2016 Payne et al.
 9,345,979 B2 * 5/2016 Matthes A63H 18/06
 9,409,097 B2 * 8/2016 Comfort A63H 18/02
 9,421,473 B2 * 8/2016 Ostendorff A63H 18/023
 9,427,672 B2 8/2016 Picolet et al.
 9,452,366 B2 * 9/2016 Schmid A63H 18/06
 9,457,284 B2 * 10/2016 Ostendorff A63H 18/02
 9,504,926 B2 11/2016 O'Connor et al.
 9,925,471 B2 * 3/2018 Flores A63F 7/3622
 10,213,702 B2 * 2/2019 Lennon A63H 18/026
 10,265,634 B2 * 4/2019 Daly A63H 33/086
 10,518,185 B1 * 12/2019 Welby A63H 18/00
 2005/0148281 A1 7/2005 Sanchez-Castro et al.
 2007/0060012 A1 * 3/2007 Comfort A63F 7/3622
 446/168
 2007/0209543 A1 9/2007 Beaulieu et al.
 2010/0304639 A1 12/2010 Payne et al.
 2011/0294395 A1 12/2011 O'Connor et al.
 2012/0309263 A1 12/2012 Lennon et al.
 2013/0040533 A1 2/2013 Miller
 2013/0109271 A1 5/2013 Ferreyra et al.
 2013/0231028 A1 9/2013 Ostendorff et al.
 2015/0097045 A1 4/2015 Lennon
 2017/0036126 A1 2/2017 Picolet et al.
 2017/0087478 A1 3/2017 Daly et al.
 2017/0216735 A1 8/2017 Yakos et al.

FOREIGN PATENT DOCUMENTS

GB 2103949 A 3/1983
 GB 2123705 A 2/1984

* cited by examiner

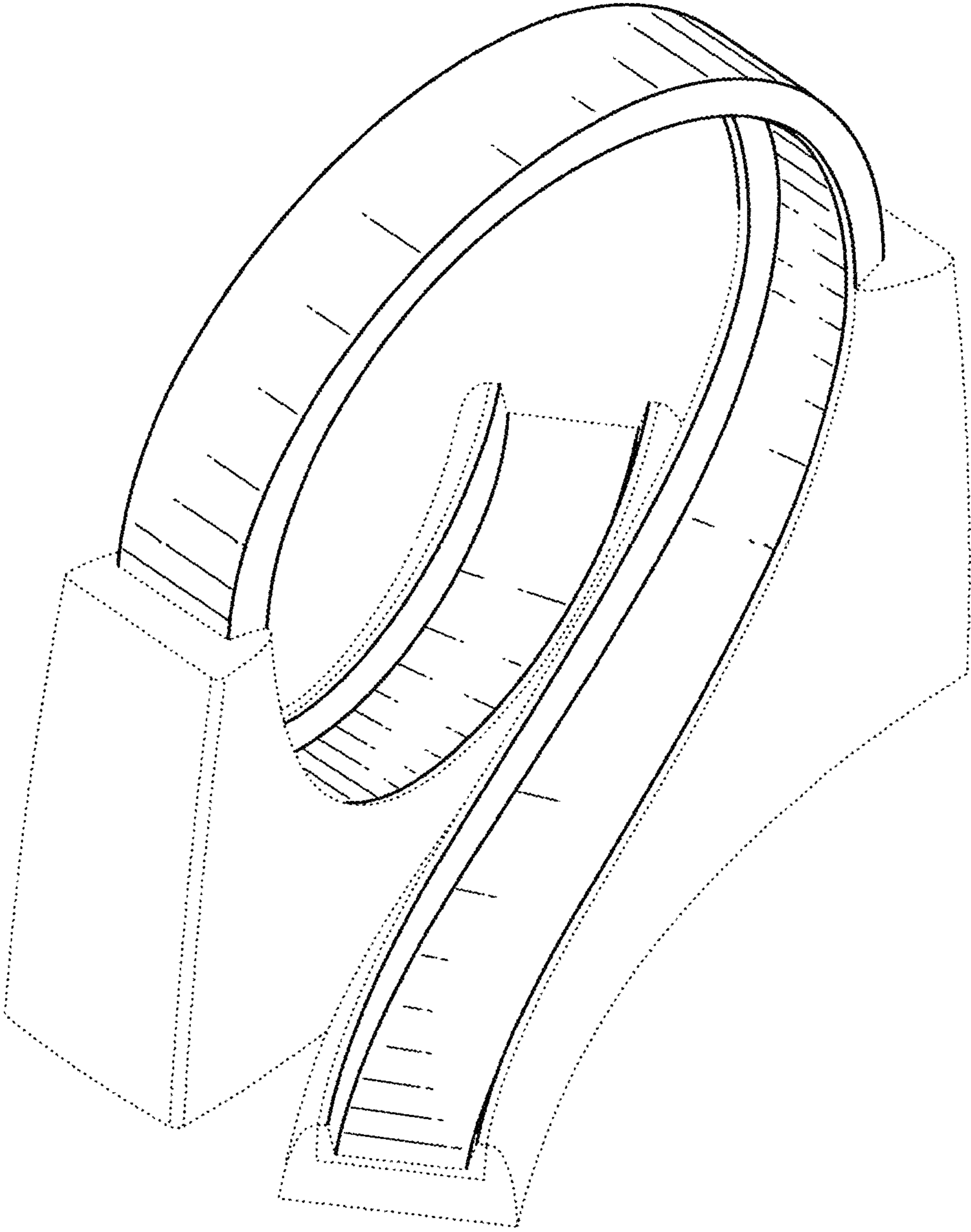


FIG. 1

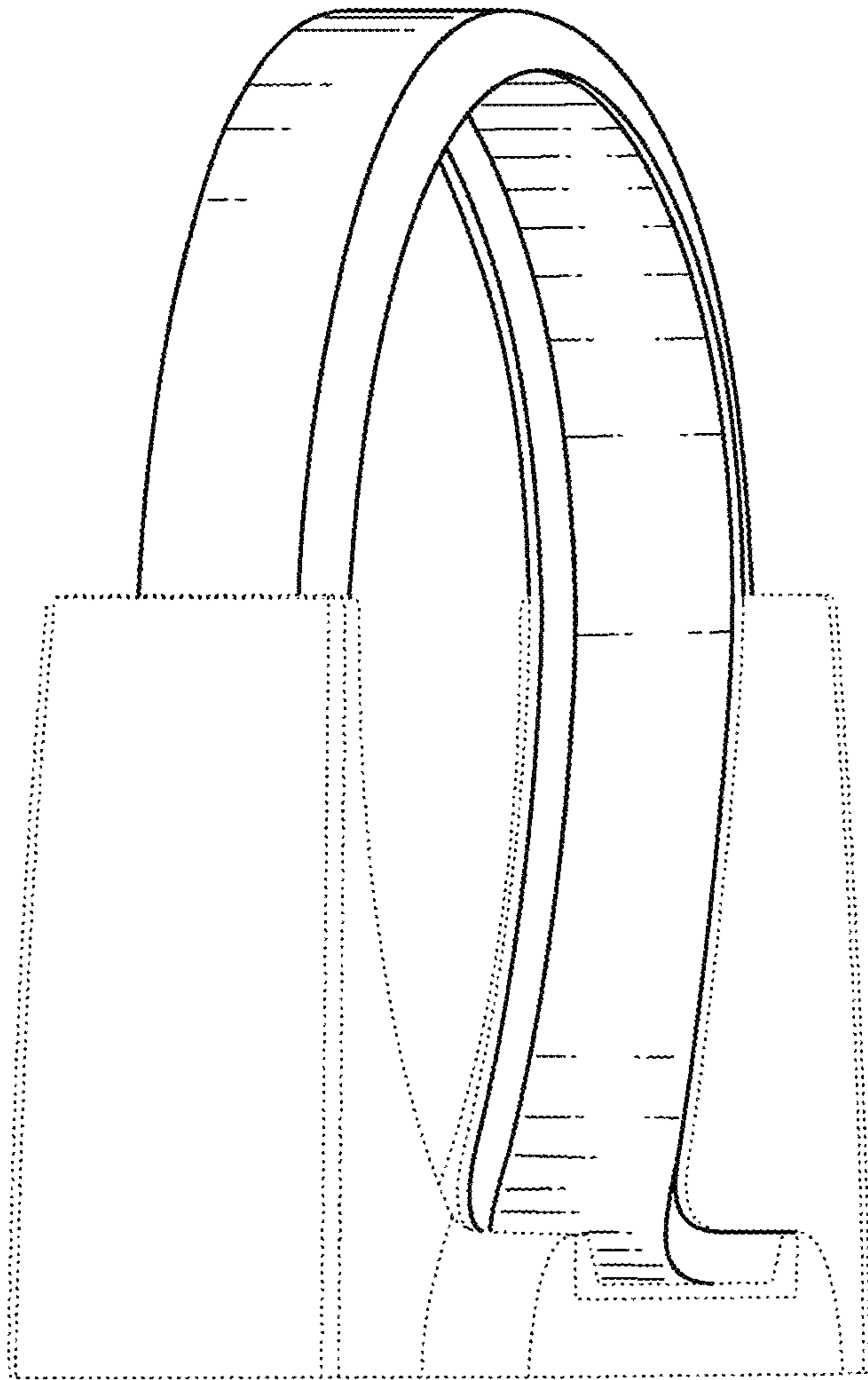


FIG. 2

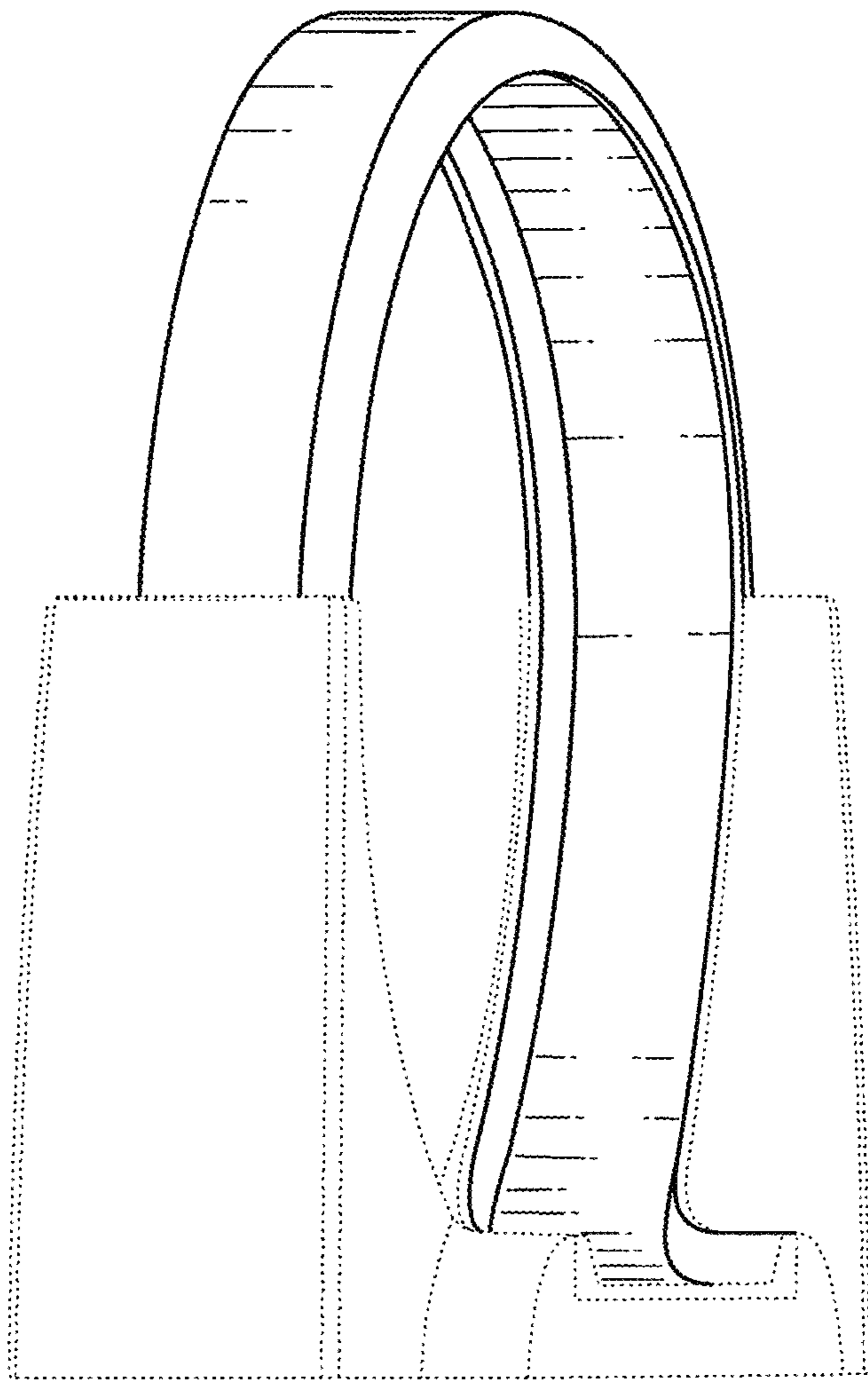


FIG. 3

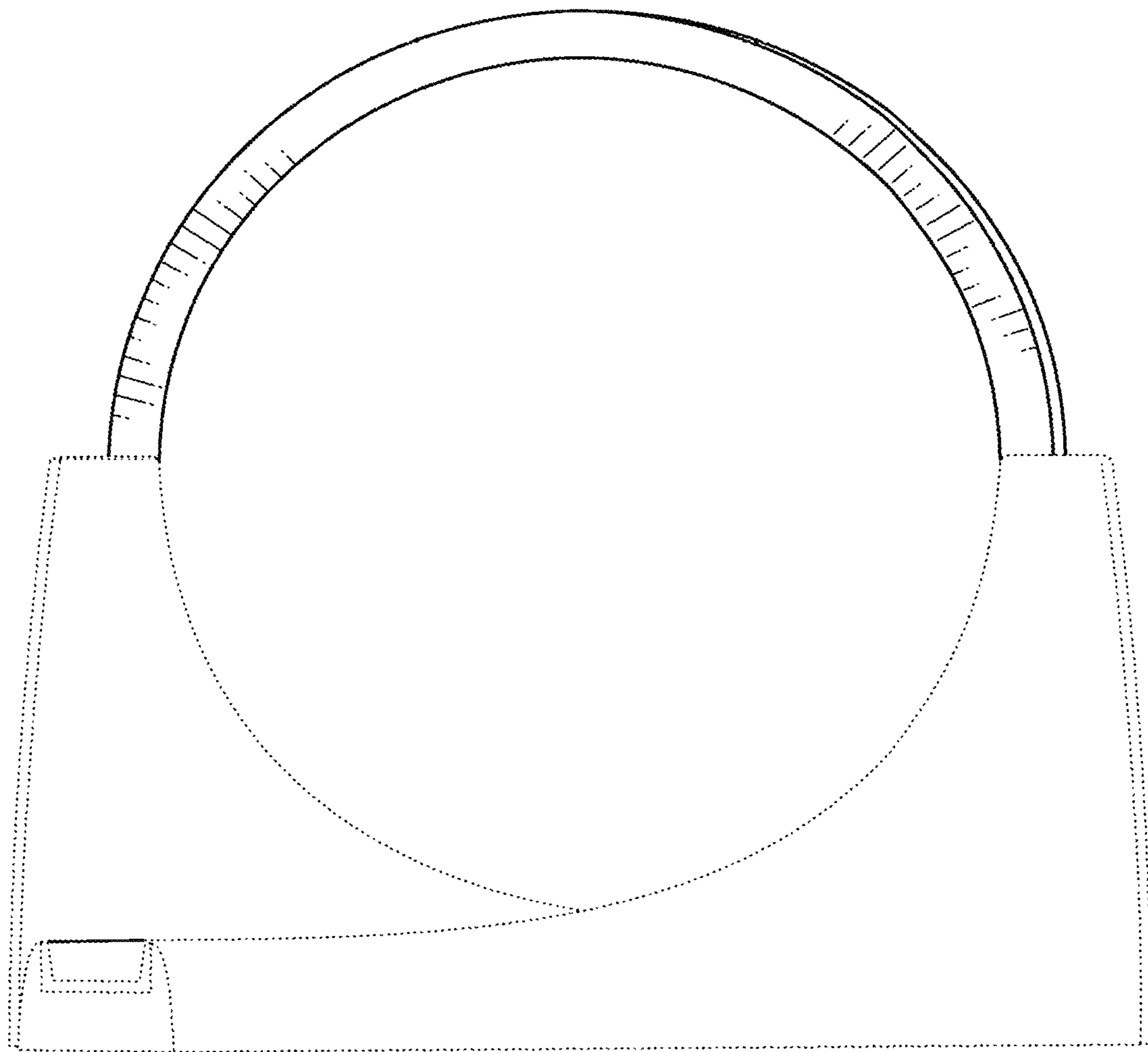


FIG. 4

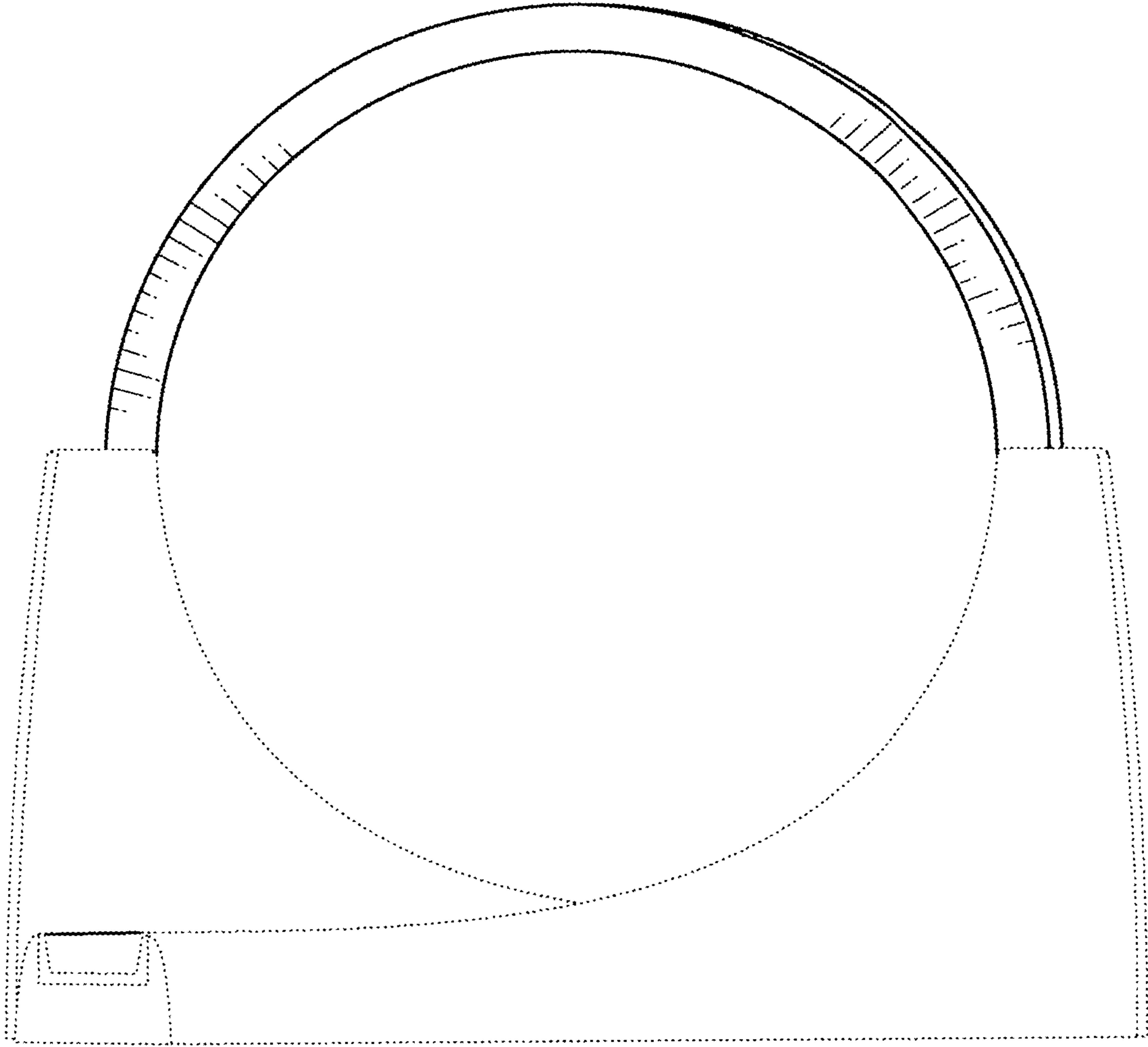


FIG. 5

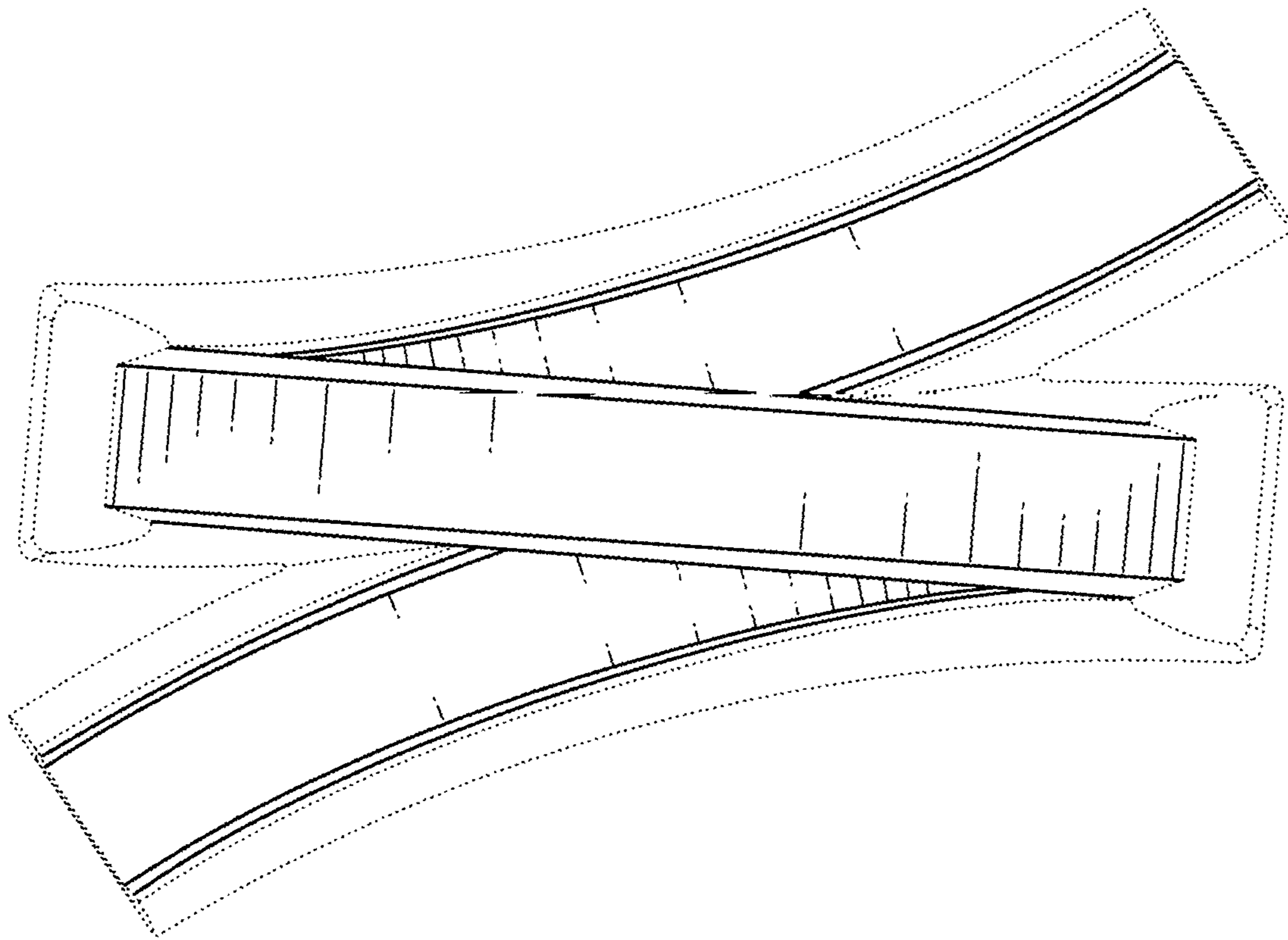


FIG. 6

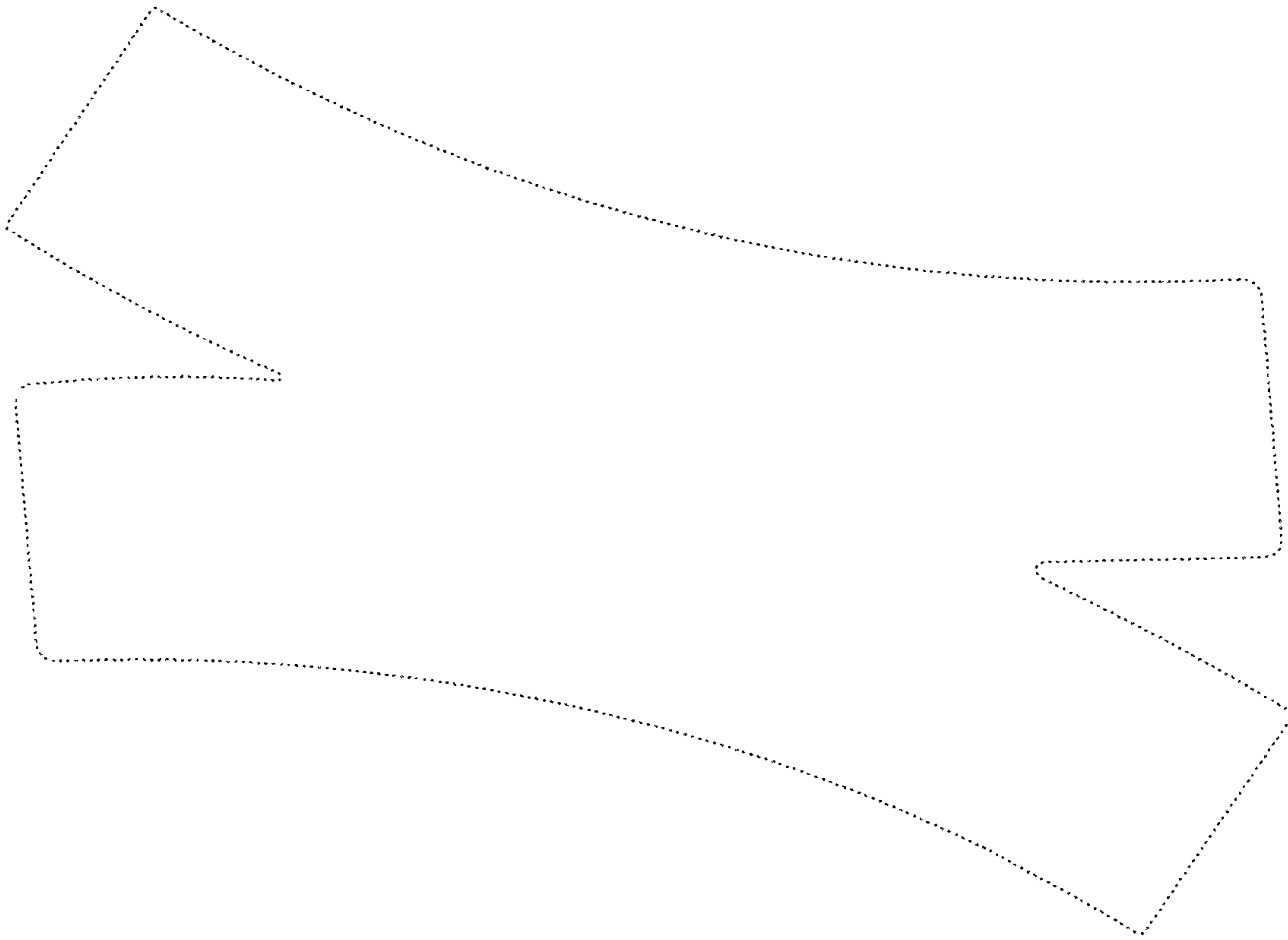


FIG. 7

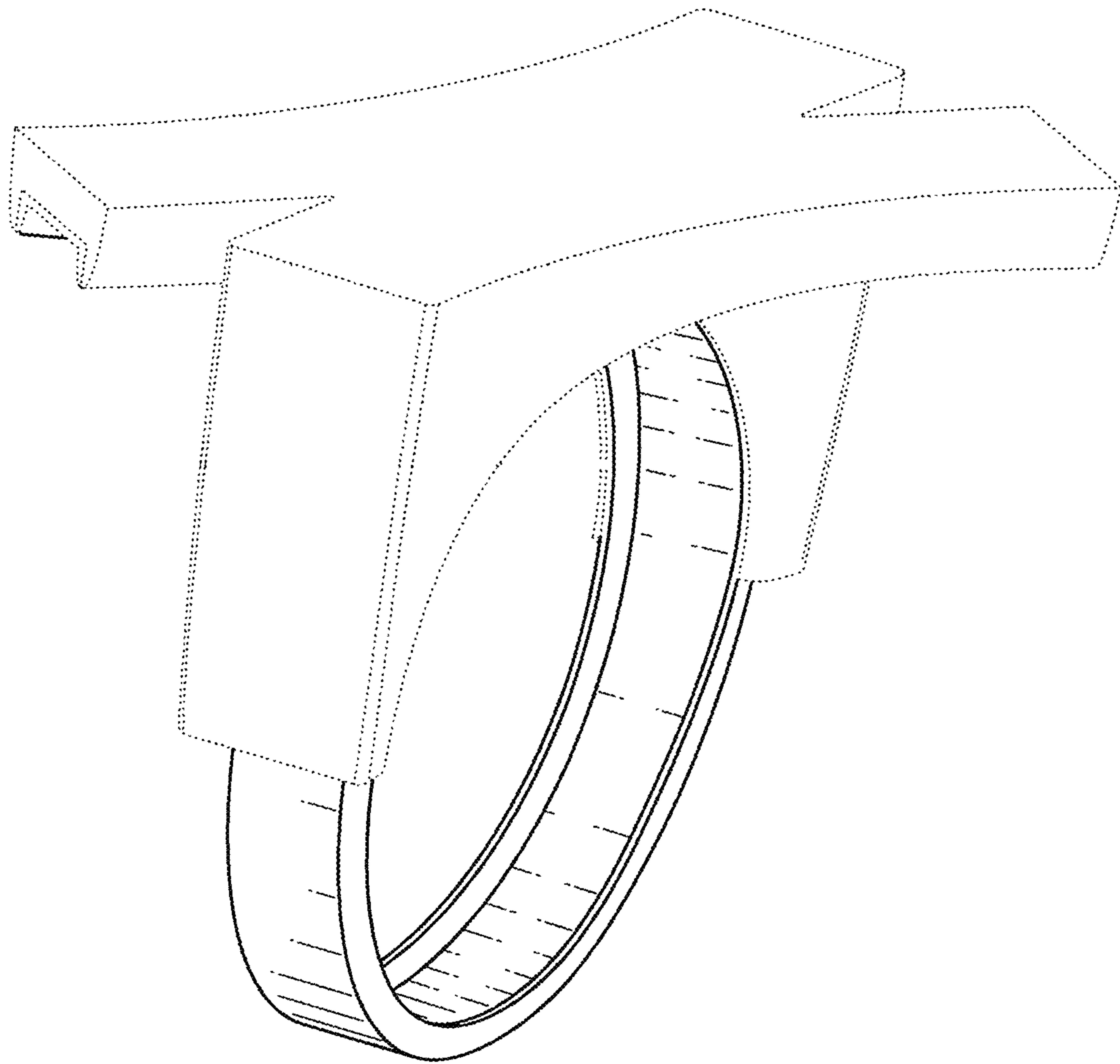


FIG. 8

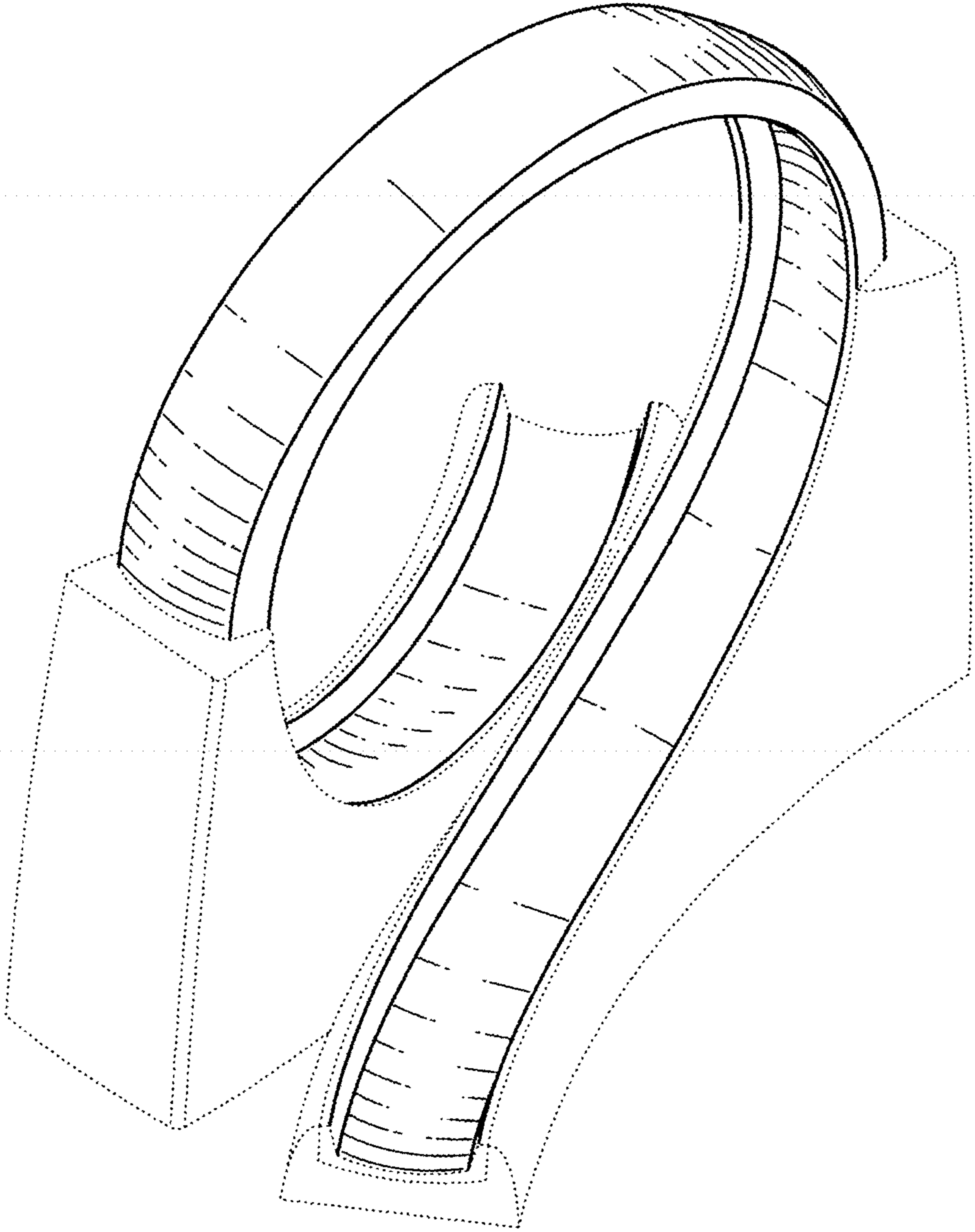


FIG. 9

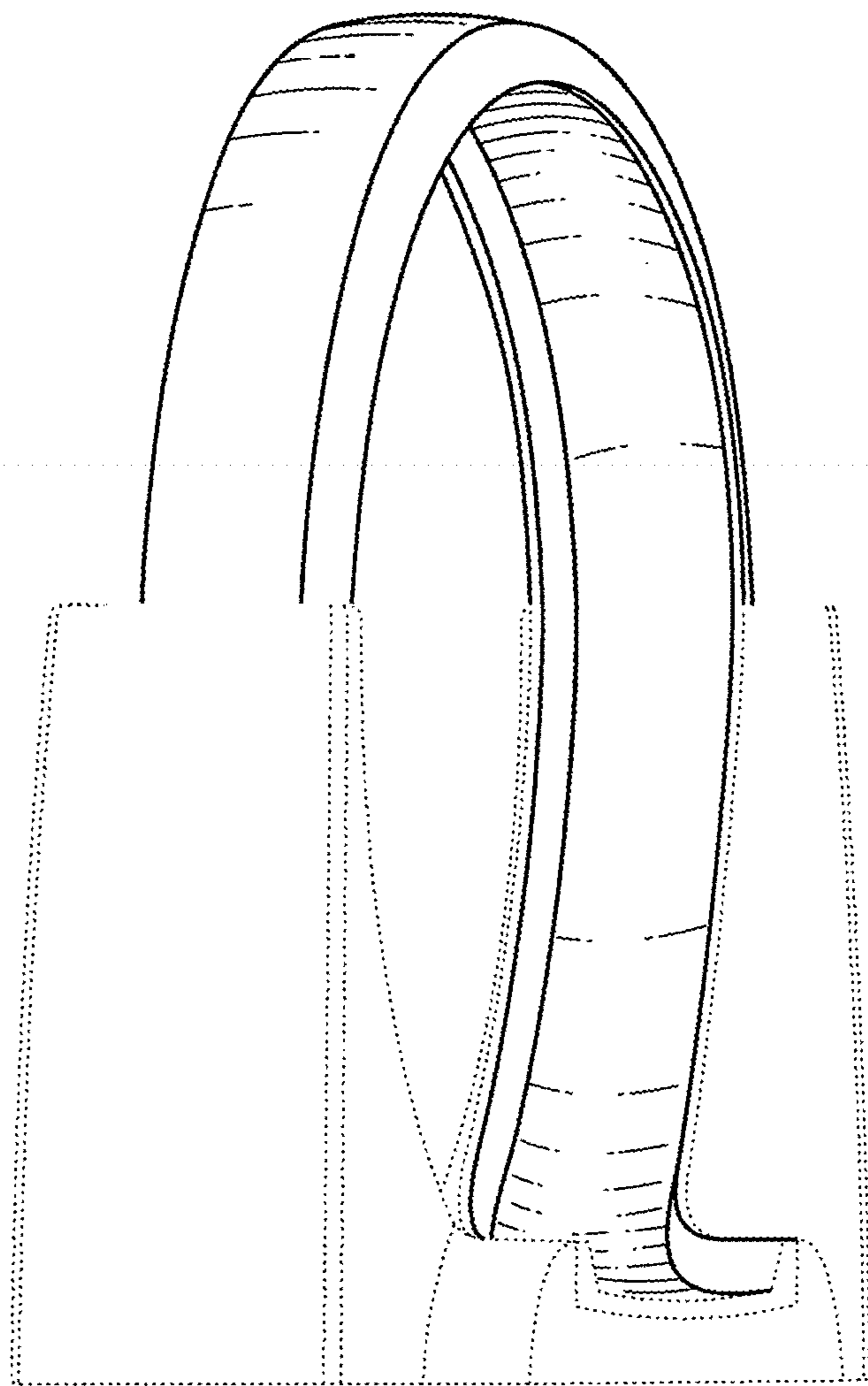


FIG. 10

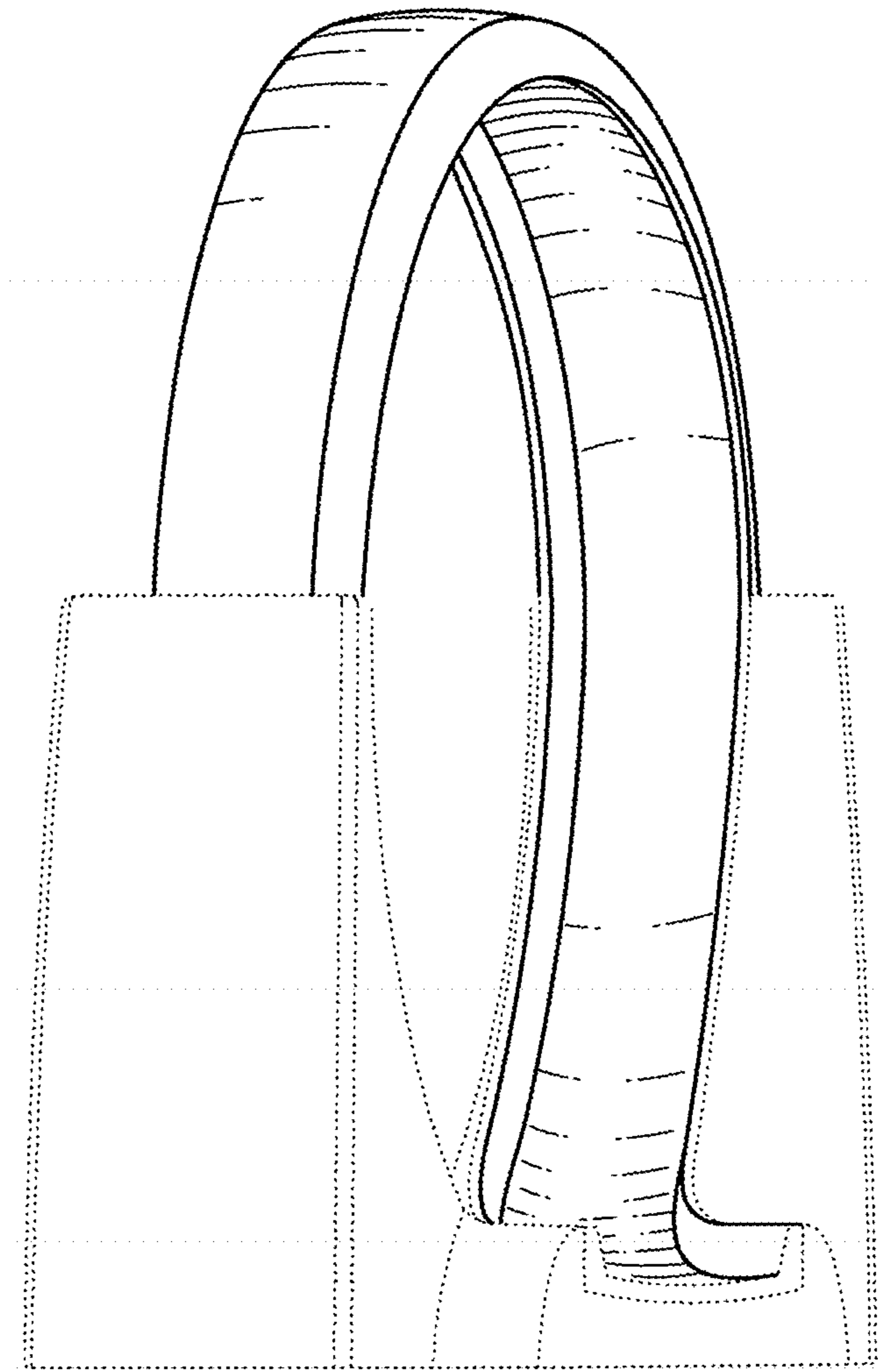


FIG. 11

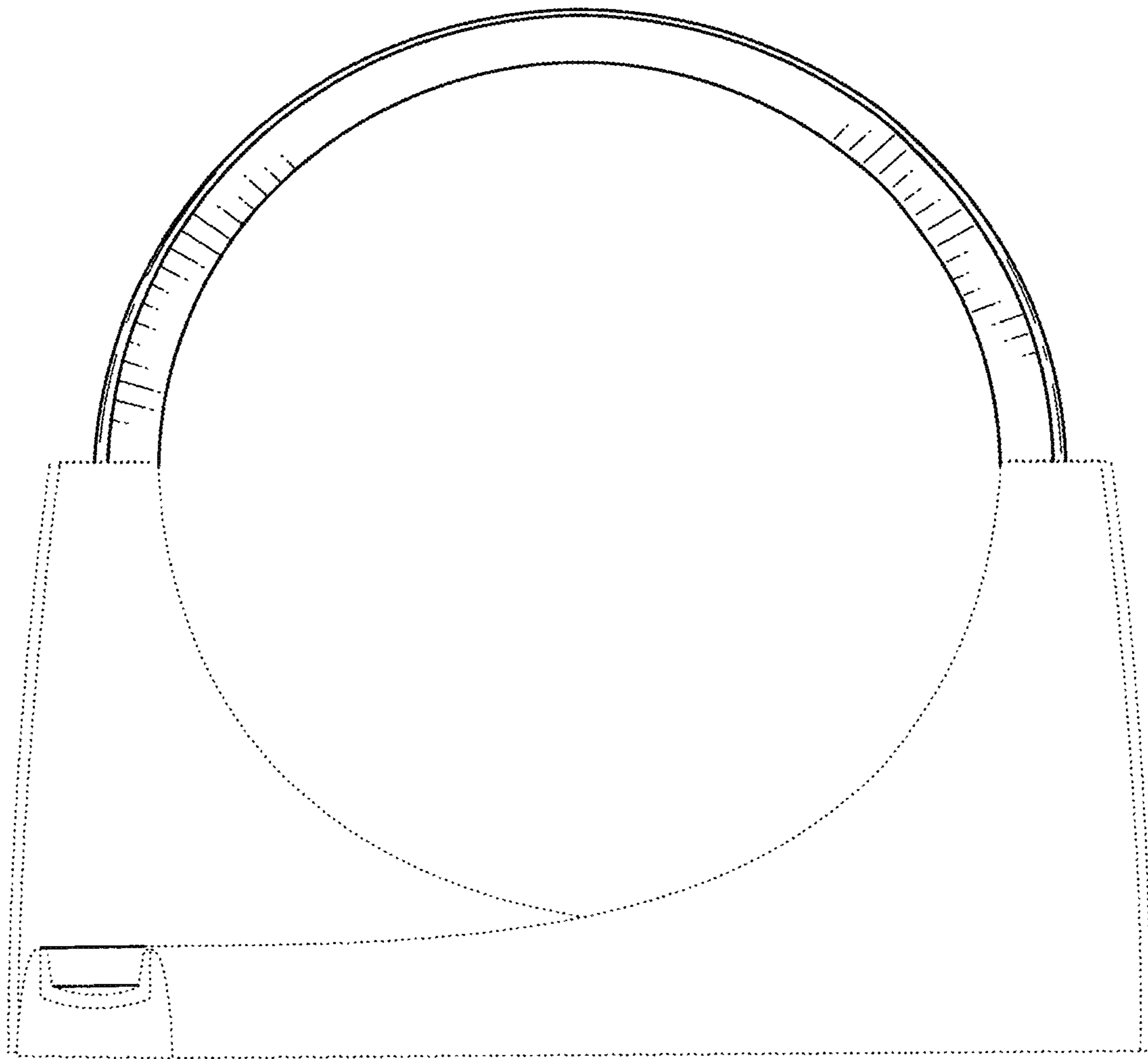


FIG. 12

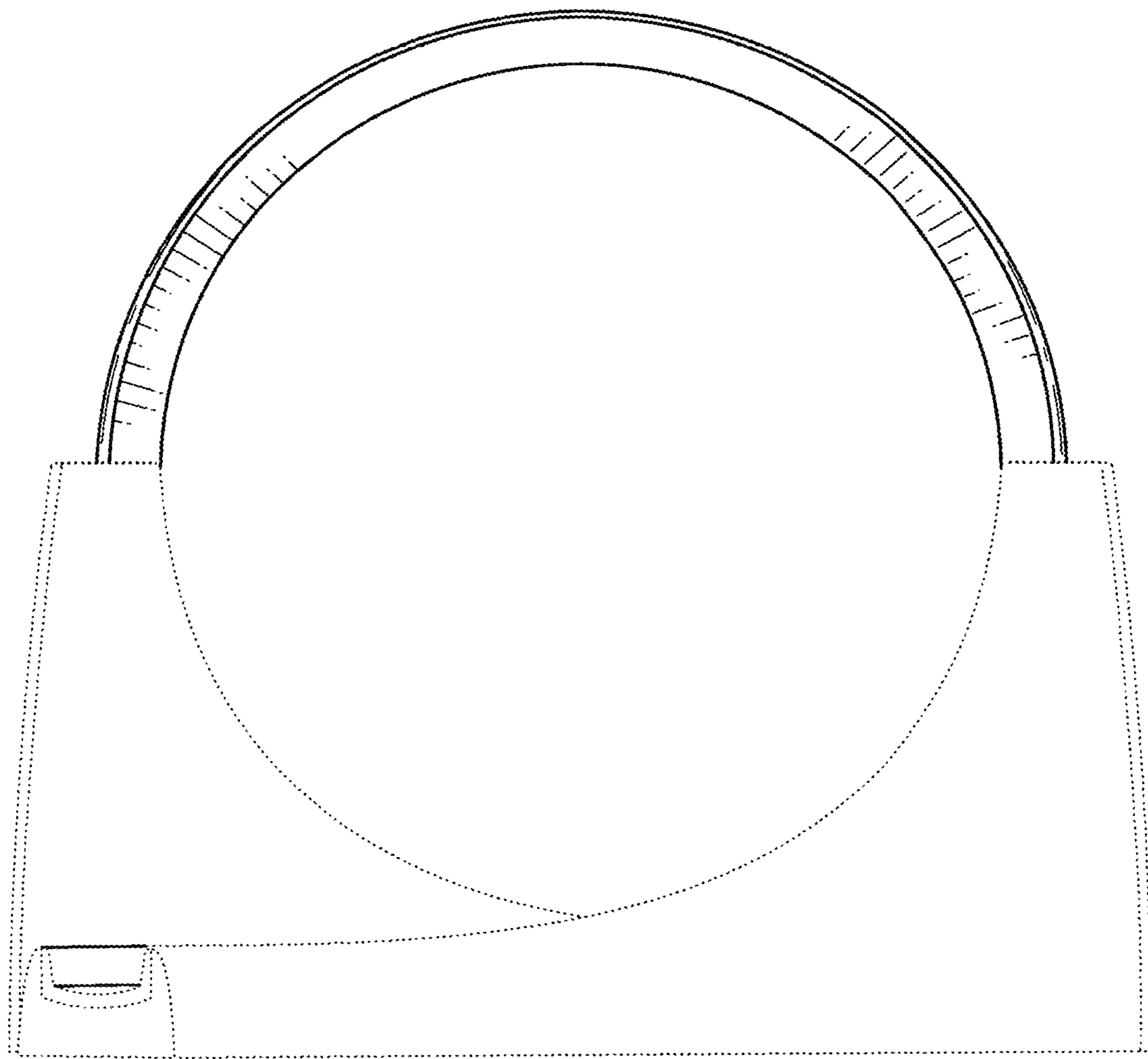


FIG. 13

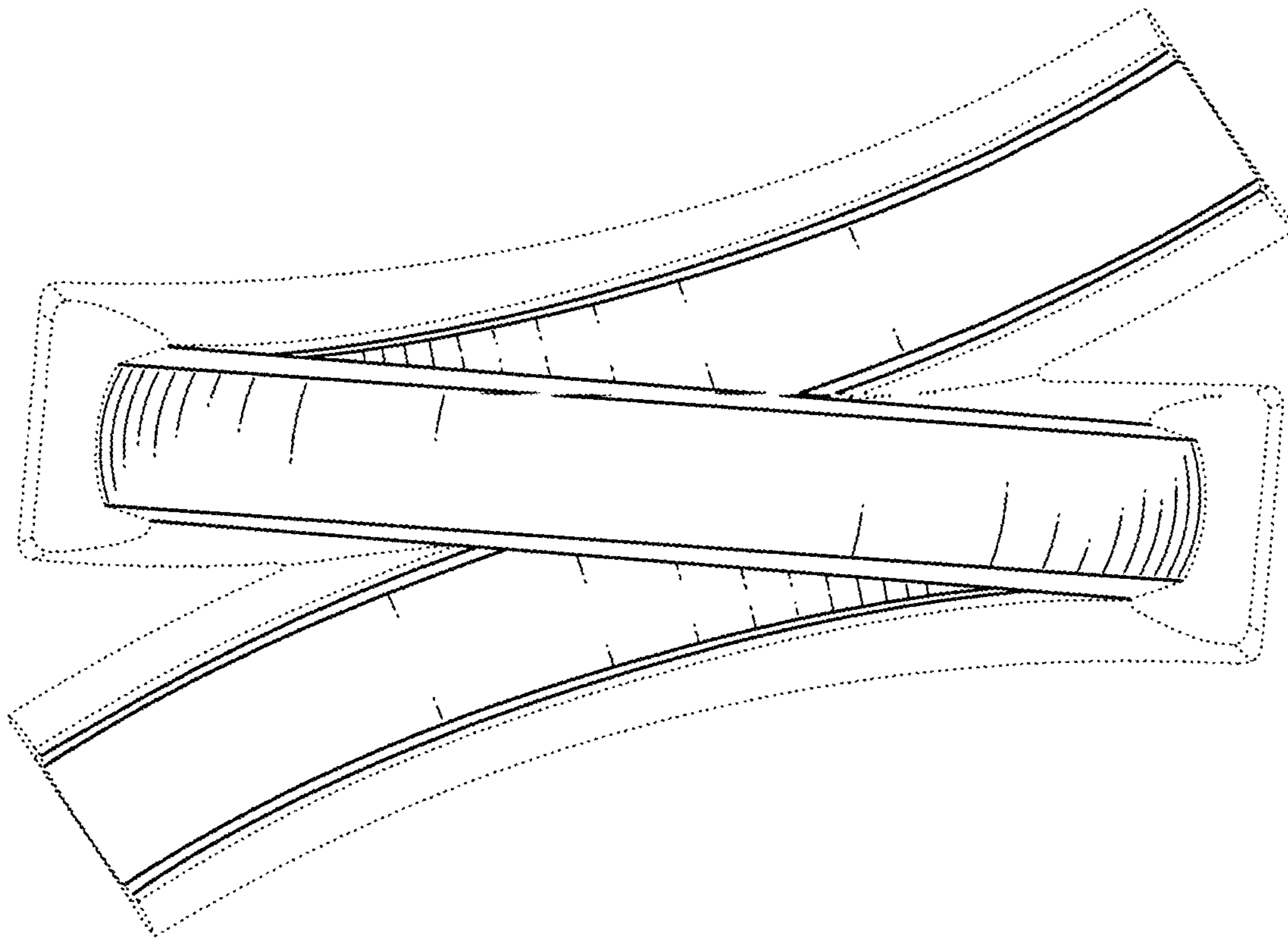


FIG. 14

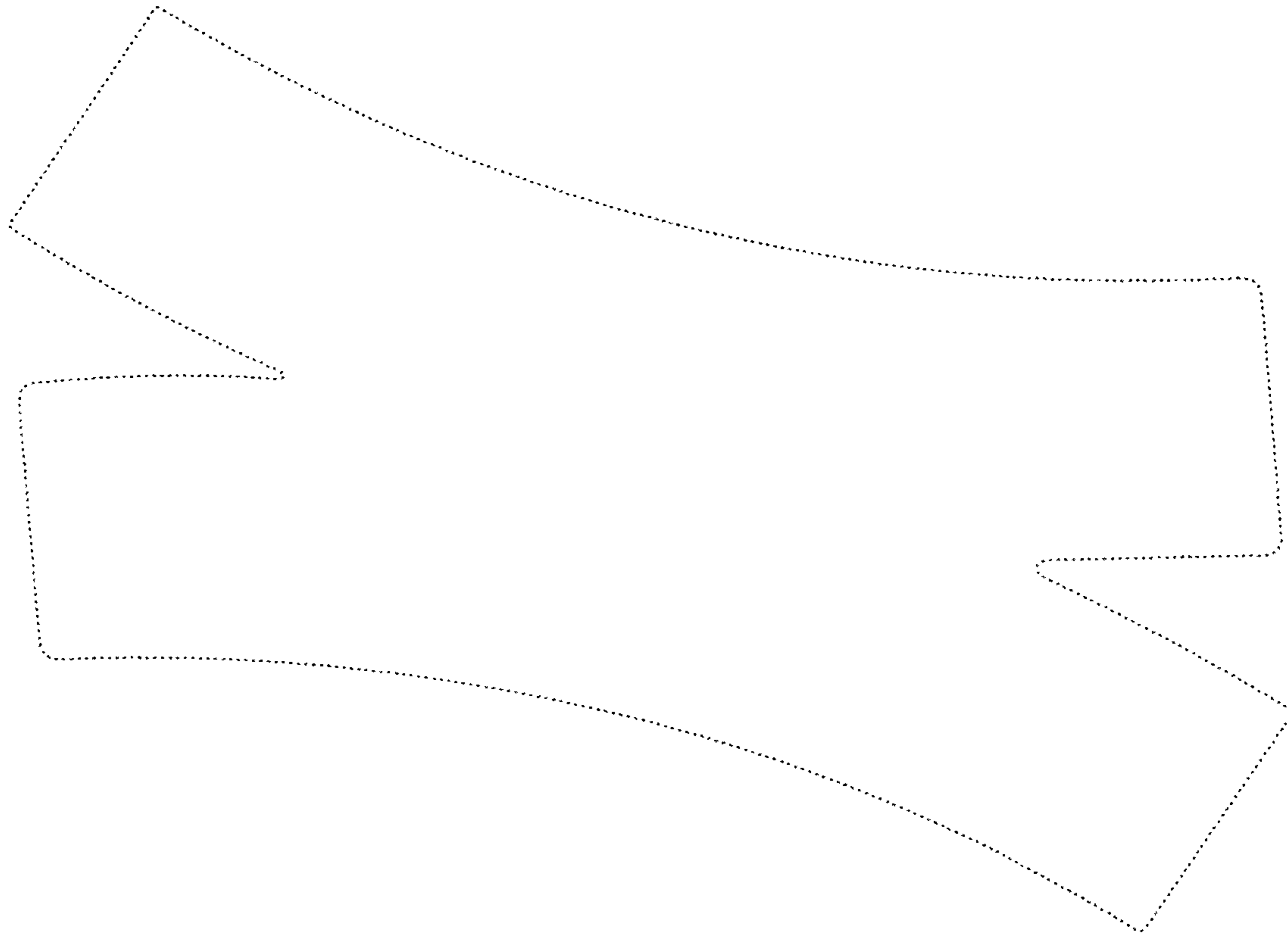


FIG. 15

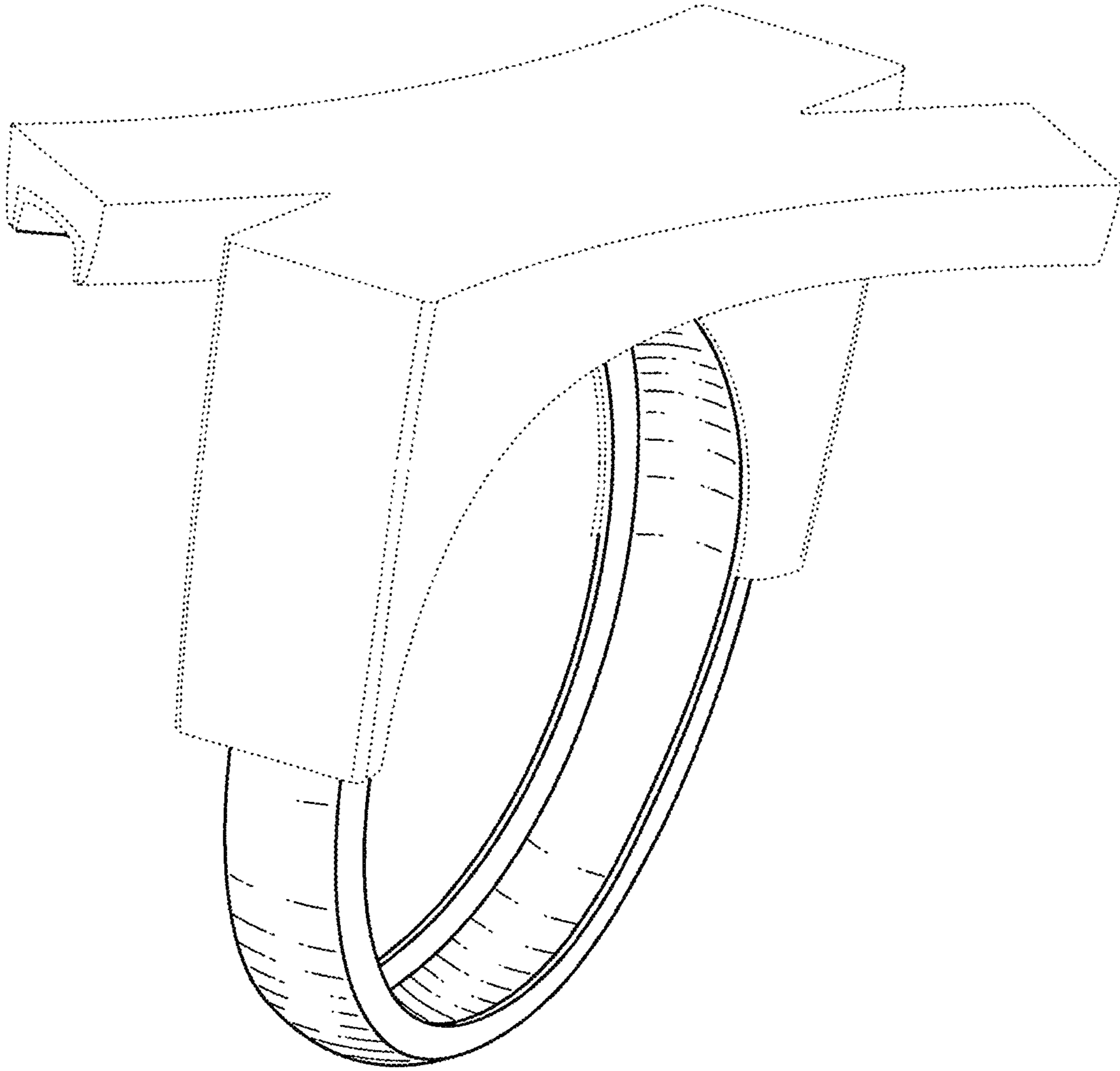


FIG. 16