



US00D892945S

(12) **United States Design Patent** (10) **Patent No.:** **US D892,945 S**  
**Patterson** (45) **Date of Patent:** **\*\* Aug. 11, 2020**

(54) **BUILDING TOY**  
(71) Applicant: **Daniel Patterson**, North Palm Beach, FL (US)  
(72) Inventor: **Daniel Patterson**, North Palm Beach, FL (US)  
(\*\*) Term: **15 Years**  
(21) Appl. No.: **29/728,458**  
(22) Filed: **Mar. 18, 2020**  
(51) **LOC (12) Cl.** ..... **21-01**  
(52) **U.S. Cl.**  
USPC ..... **D21/487**  
(58) **Field of Classification Search**  
USPC ..... D21/468, 478, 479, 484, 486, 487  
CPC ..... A63H 33/04; A63H 33/06; A63H 33/062;  
A63H 33/08; A63H 33/10; A63H 33/101;  
A63H 33/12  
See application file for complete search history.

4,781,644 A \* 11/1988 Yoshida ..... F16B 35/047  
446/123  
D334,953 S \* 4/1993 Kawahara ..... D21/487  
D341,169 S \* 11/1993 Denton ..... D21/468  
D372,055 S \* 7/1996 Hrsel ..... D21/487  
D409,677 S \* 5/1999 Jensen ..... D21/486  
D686,675 S \* 7/2013 Jensen ..... D21/487  
D702,297 S \* 4/2014 Youngblood ..... D21/487  
2008/0261484 A1 \* 10/2008 Culpepper ..... A63H 3/16  
446/373  
2013/0334806 A1 \* 12/2013 Hein ..... B42F 13/40  
281/28  
2015/0321111 A1 \* 11/2015 Samlaska ..... A63H 33/106  
446/124  
2018/0229144 A1 \* 8/2018 Rosen ..... A63H 33/06

\* cited by examiner

*Primary Examiner* — Cynthia M. Chin  
(74) *Attorney, Agent, or Firm* — Kevin Prince

(57) **CLAIM**

The ornamental design for a building toy, as shown and described.

**DESCRIPTION**

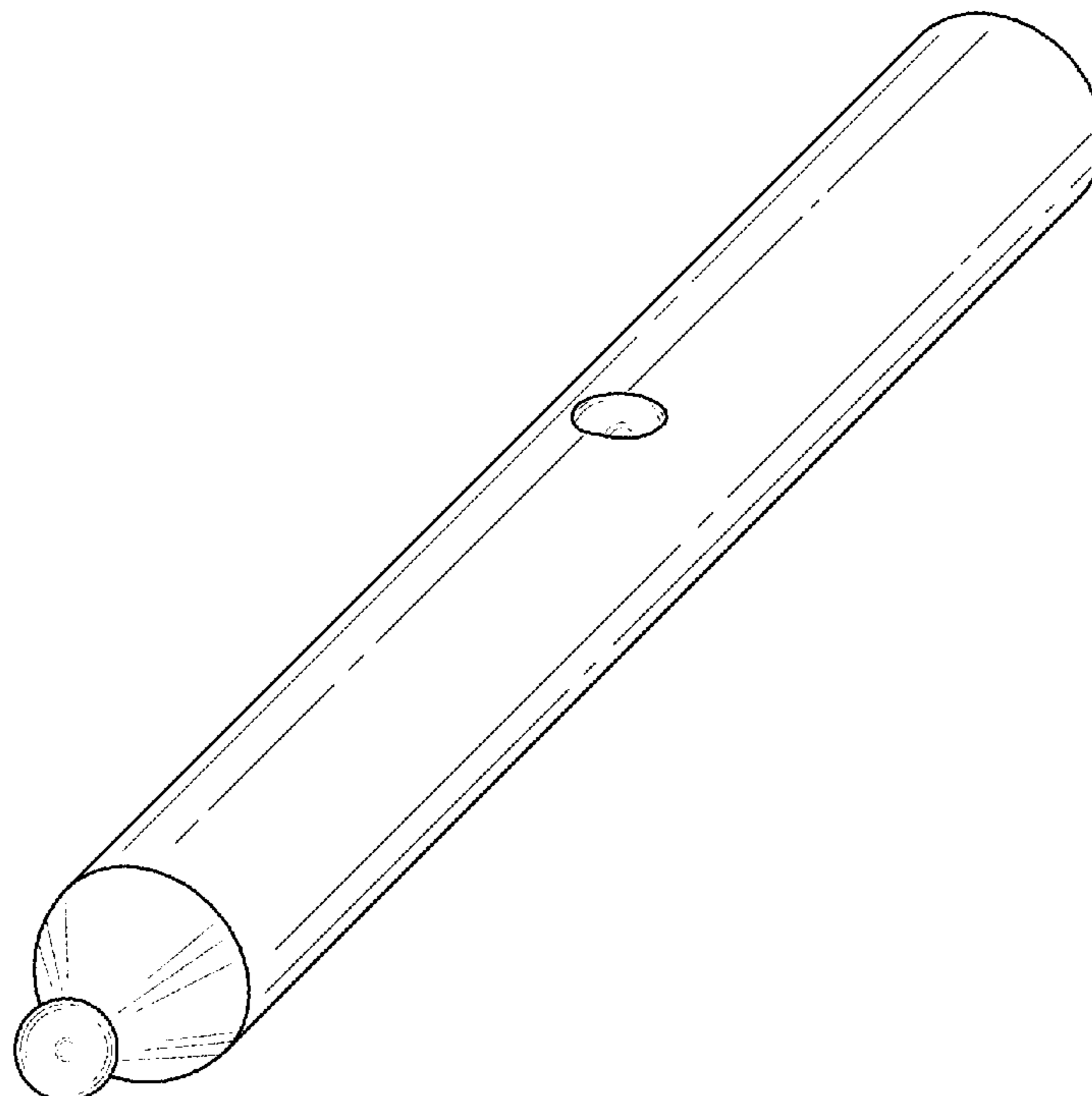
FIG. 1 is a front perspective view of a building toy, showing my new design;  
FIG. 2 is a left-side elevational view thereof, the right-side elevational view being a mirror image thereof;  
FIG. 3 is a front elevational view thereof;  
FIG. 4 is a rear elevational view thereof;  
FIG. 5 is a top plan view thereof, the bottom plan view being a mirror image thereof; and,  
FIG. 6 is a cross-sectional view thereof, taken along line 6-6 of FIG. 2.

**1 Claim, 3 Drawing Sheets**

(56) **References Cited**

**U.S. PATENT DOCUMENTS**

1,771,783 A \* 7/1930 Greene ..... A63H 33/04  
446/106  
2,208,049 A \* 7/1940 Pajeau ..... A63H 33/102  
446/102  
2,625,769 A \* 1/1953 Hubbard ..... A63H 33/108  
446/96  
2,810,233 A \* 10/1957 Jakobsen ..... A63H 33/088  
446/126  
D254,752 S \* 4/1980 Gabriel ..... D21/486  
4,775,349 A \* 10/1988 Short ..... A63H 33/12  
446/107



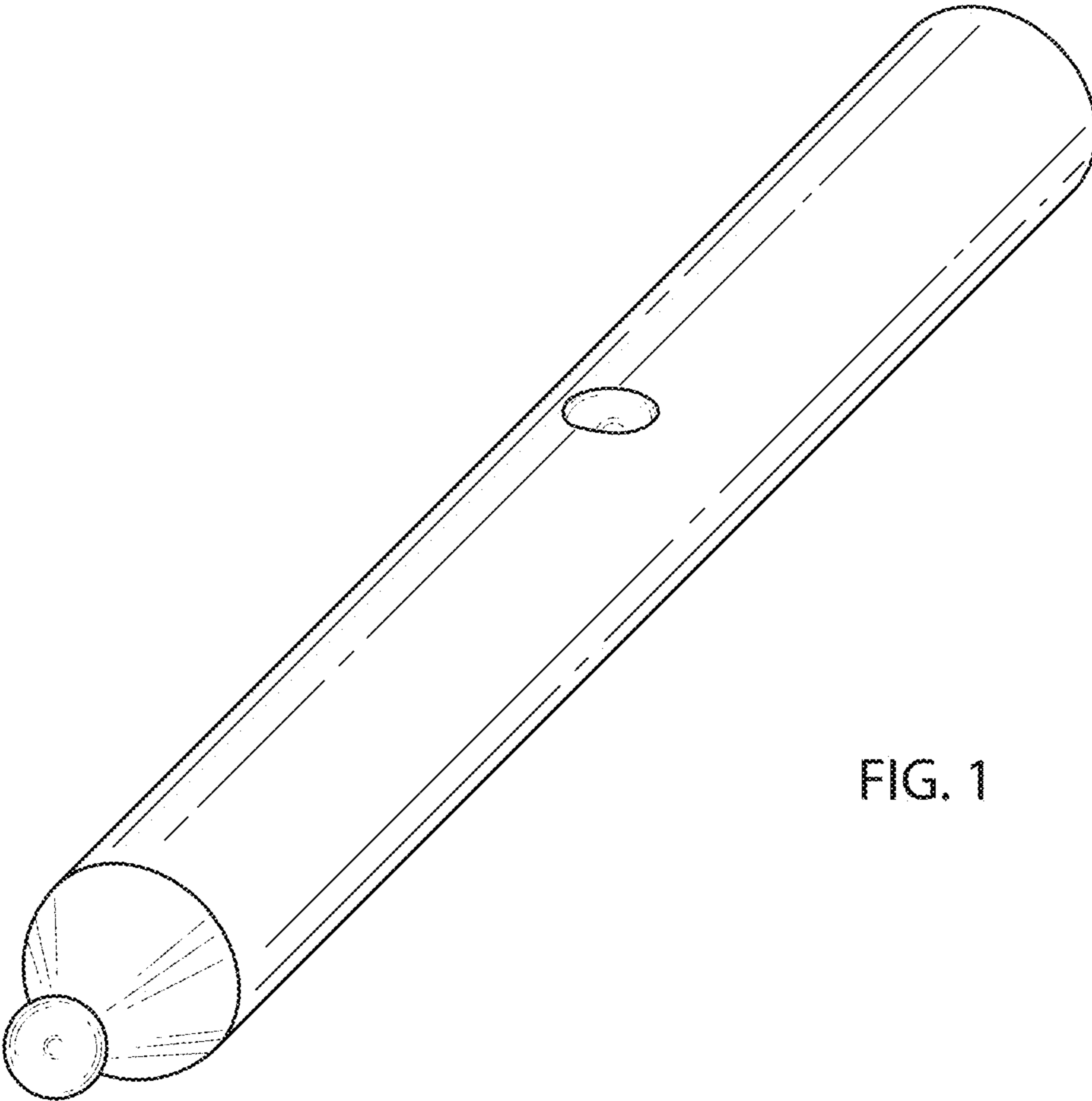


FIG. 1

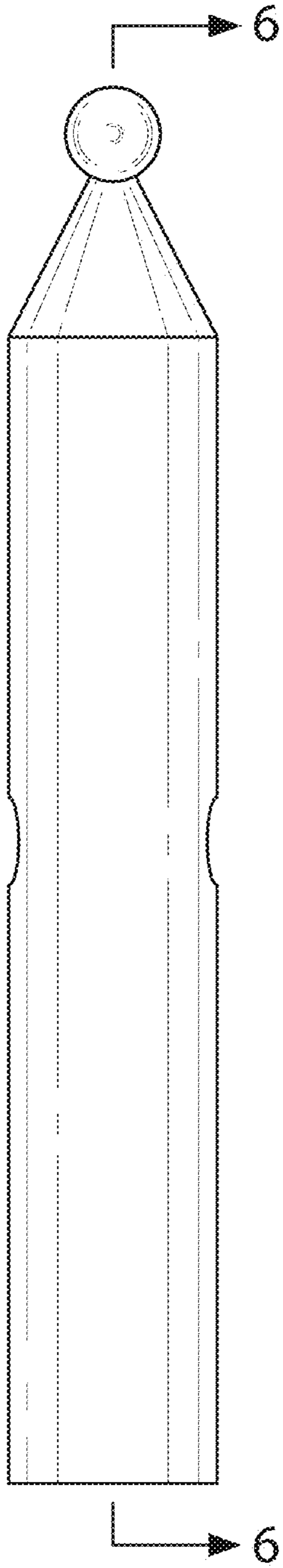


FIG. 2

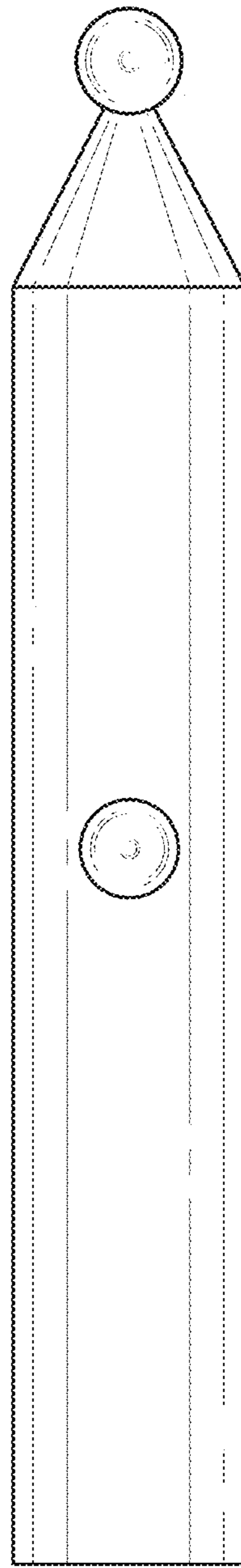


FIG. 5

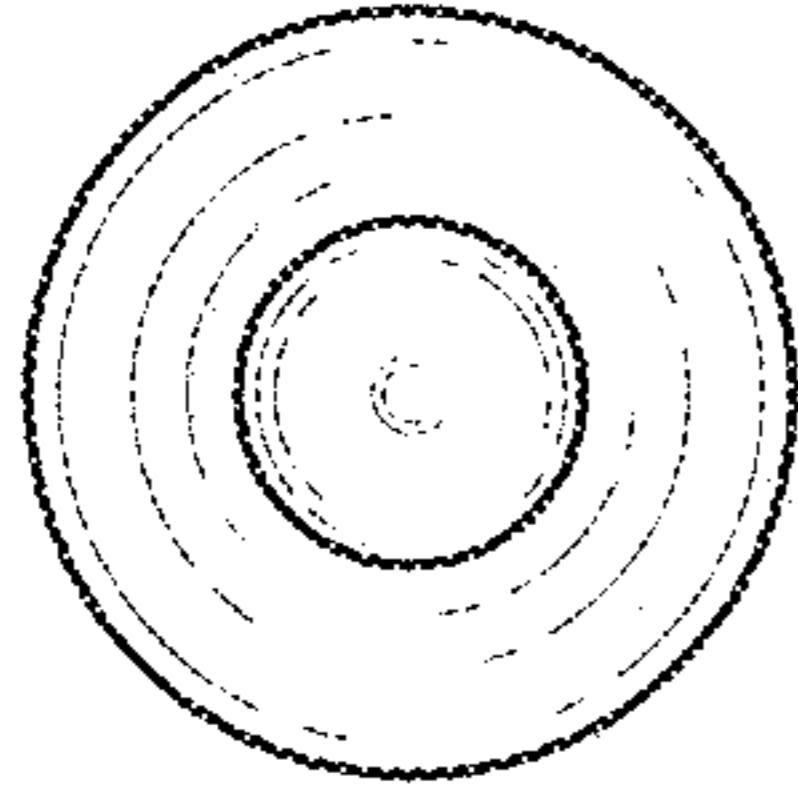


FIG. 3

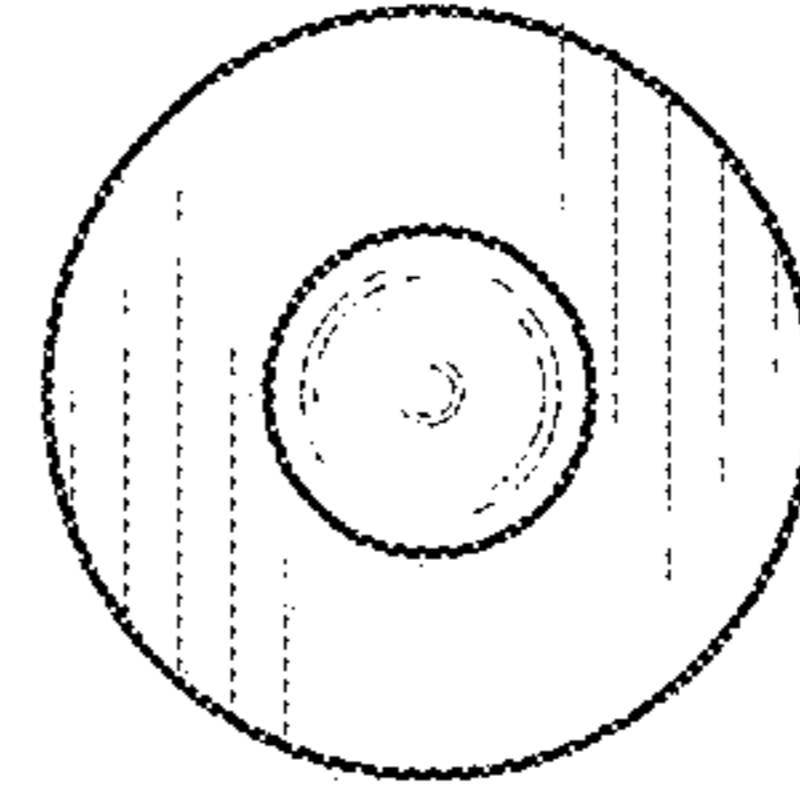


FIG. 4

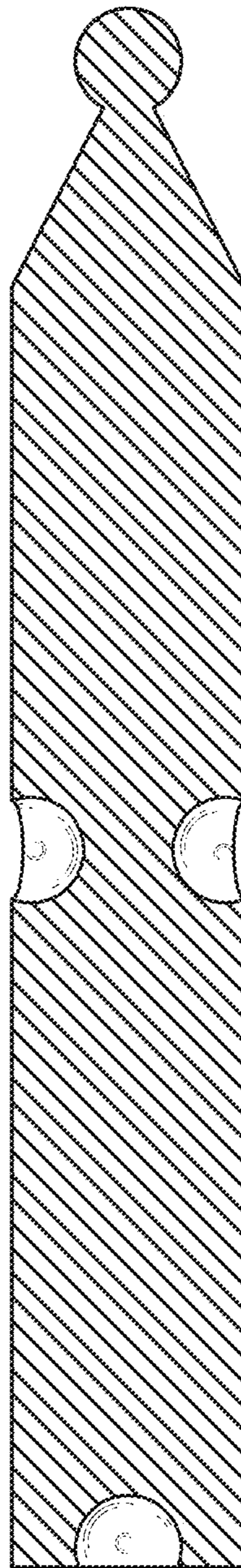


FIG. 6