



US00D892944S

(12) **United States Design Patent**  
**Matsukawa et al.**

(10) **Patent No.:** **US D892,944 S**

(45) **Date of Patent:** **\*\* Aug. 11, 2020**

(54) **ACCESSORY FOR SPINNING TOP TOY**

(71) Applicant: **TOMY COMPANY, LTD.**, Tokyo (JP)

(72) Inventors: **Hiroyuki Matsukawa**, Tokyo (JP);  
**Hiroyuki Hama**, Tokyo (JP);  
**Toshinobu Ishii**, Saitama (JP)

(73) Assignee: **TOMY COMPANY, LTD.**, Tokyo (JP)

(\*\*) Term: **15 Years**

(21) Appl. No.: **29/688,625**

(22) Filed: **Apr. 23, 2019**

(30) **Foreign Application Priority Data**

Oct. 25, 2018 (JP) ..... 2018-023452

(51) **LOC (12) Cl.** ..... **21-01**

(52) **U.S. Cl.**  
USPC ..... **D21/460**

(58) **Field of Classification Search**  
USPC ..... D21/455-464; 446/236-266  
CPC ..... A63H 1/00-32  
See application file for complete search history.

(56) **References Cited**

**U.S. PATENT DOCUMENTS**

D837,899 S *	1/2019	Narita	.....	D21/460
D841,099 S *	2/2019	Matsukawa	.....	D21/460
D846,656 S *	4/2019	Horikoshi	.....	D21/460
D848,539 S *	5/2019	Horikoshi	.....	D21/460
D851,709 S *	6/2019	Muraki	.....	D21/460
D852,280 S *	6/2019	Horikoshi	.....	D21/460

D854,626 S *	7/2019	Horikoshi	.....	D21/460
D855,119 S *	7/2019	Saito	.....	D21/460
D862,608 S *	10/2019	Yamasaki	.....	D21/460
D873,351 S *	1/2020	Horikoshi	.....	D21/460
D875,841 S *	2/2020	Nakajima	.....	D21/460
D876,554 S *	2/2020	Muraki	.....	D21/460

**FOREIGN PATENT DOCUMENTS**

JP	6258541 B1 *	1/2018	.....	A63H 1/04
JP	6431629 B1 *	11/2018	.....	A63H 1/04
JP	6431630 B1 *	11/2018	.....	A63H 1/04
JP	6593819 B1 *	10/2019	.....	A63H 1/04

\* cited by examiner

*Primary Examiner* — Catherine A Tuttle  
(74) *Attorney, Agent, or Firm* — Oliff PLC

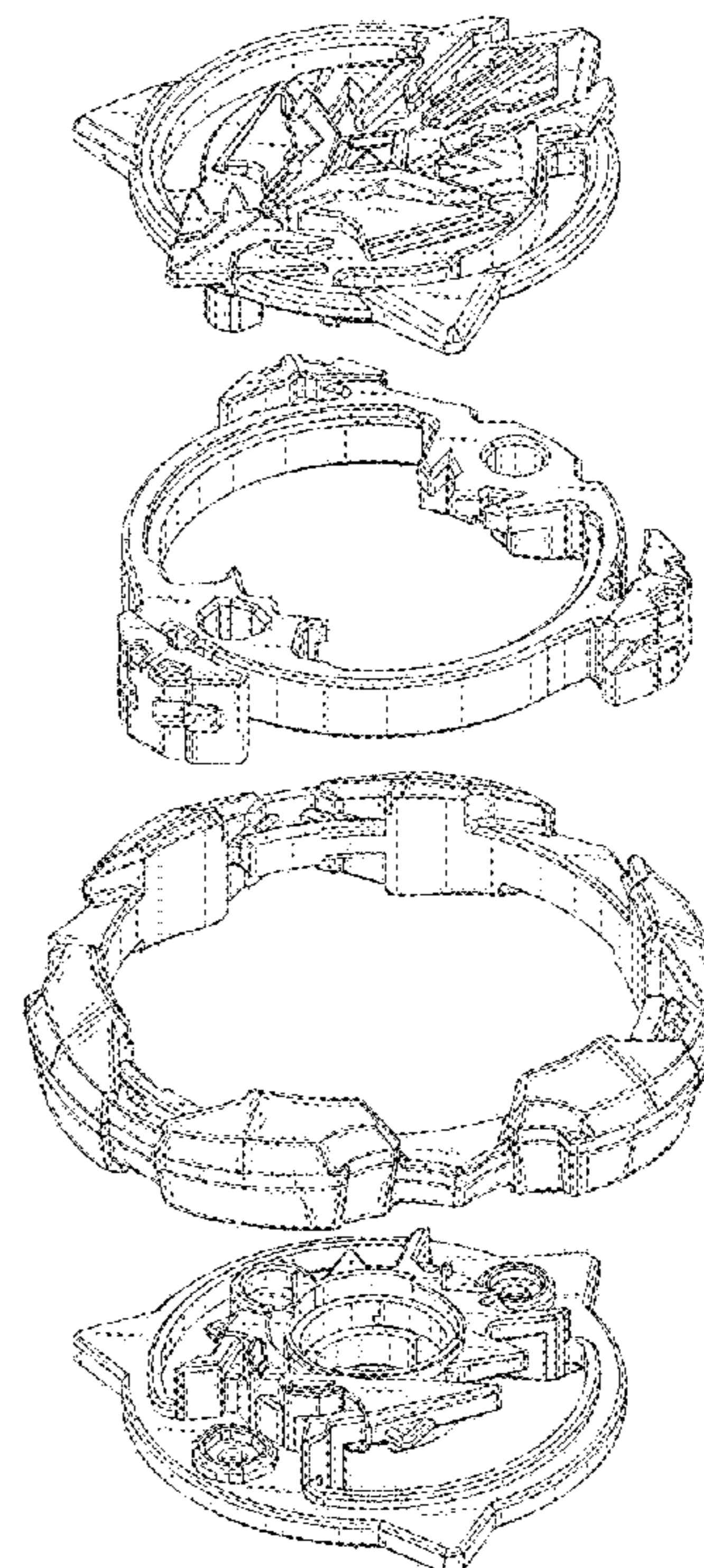
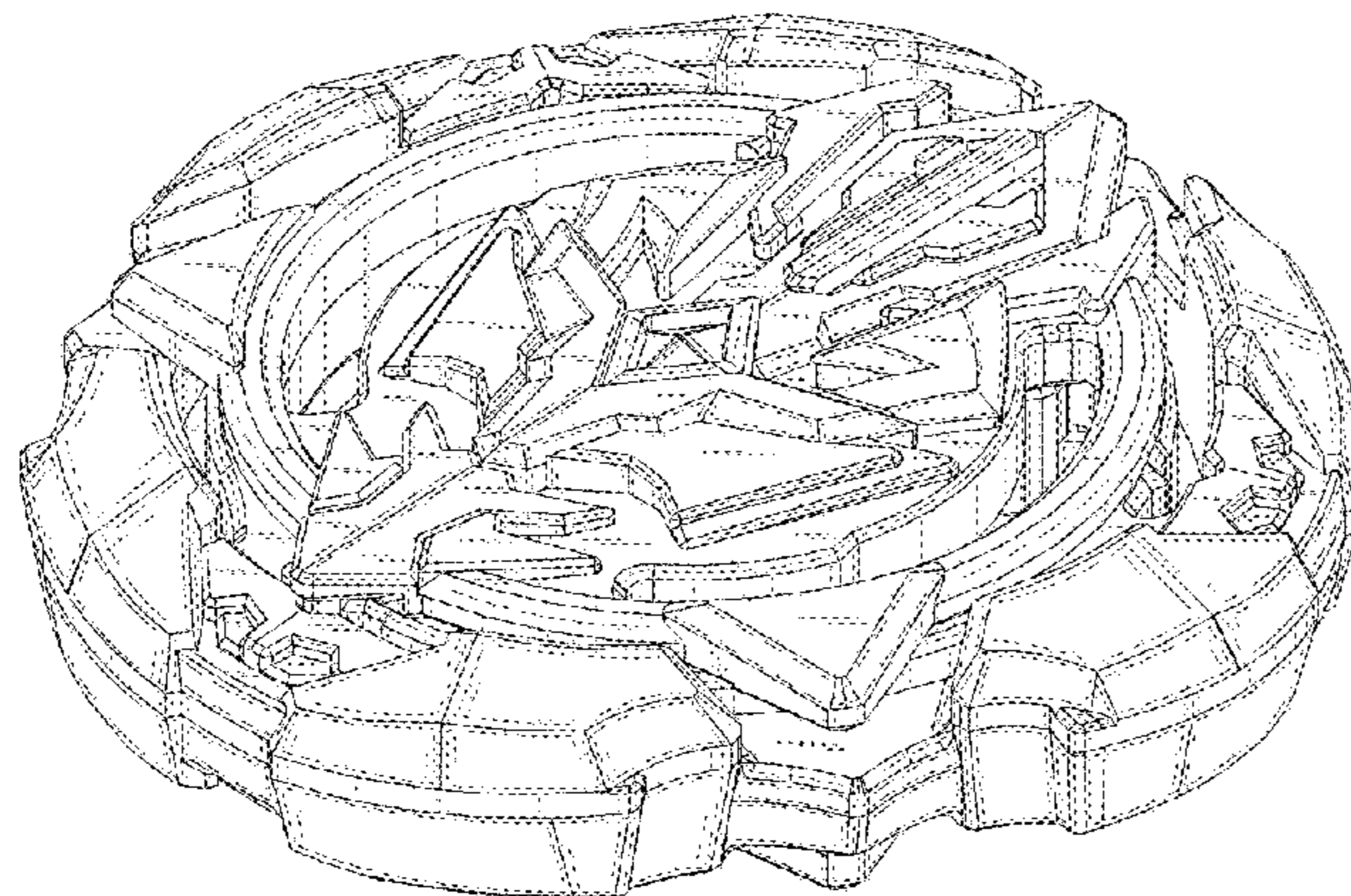
(57) **CLAIM**

The ornamental design for an accessory for spinning top toy, as shown and described.

**DESCRIPTION**

FIG. 1 is a front elevational view of the accessory for spinning top toy;  
FIG. 2 is a rear elevational view thereof;  
FIG. 3 is a left-side elevational view thereof;  
FIG. 4 is a right-side elevational view thereof;  
FIG. 5 is a top plan view thereof;  
FIG. 6 is a bottom plan view thereof;  
FIG. 7 is a front, top and right side perspective view thereof;  
FIG. 8 is a disassembled front, top and right side perspective view thereof; and,  
FIG. 9 is a disassembled rear, bottom and left side perspective view thereof.

**1 Claim, 9 Drawing Sheets**



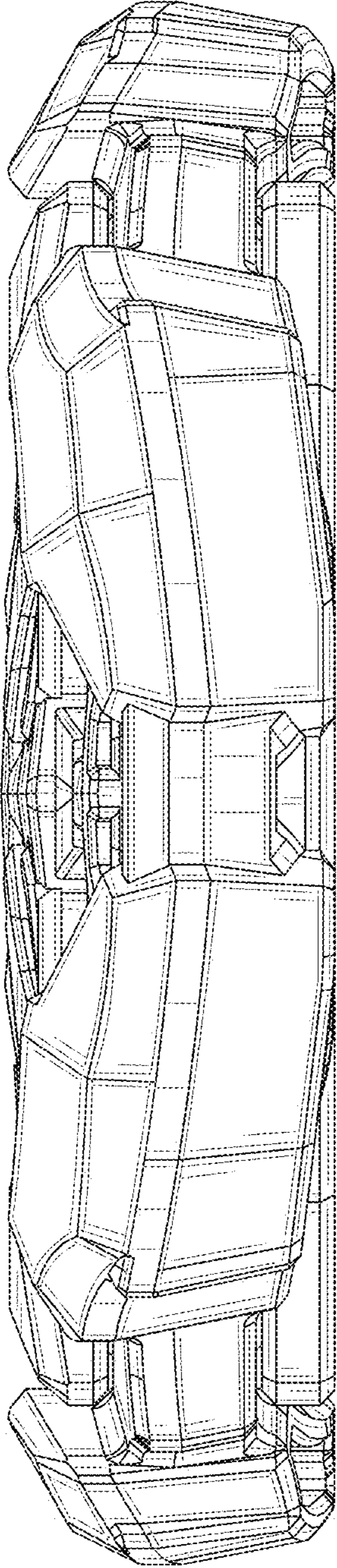


FIG. 1

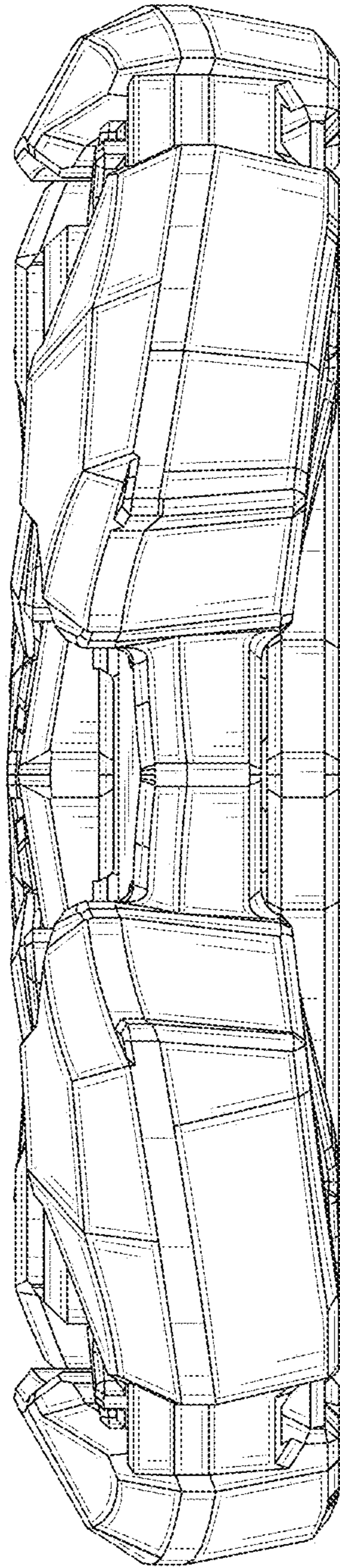


FIG. 2

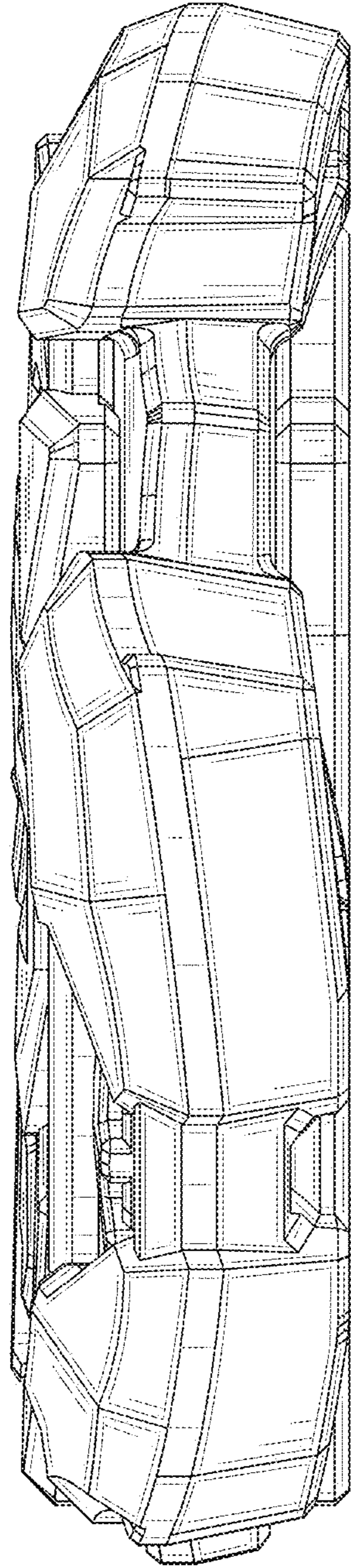


FIG. 3

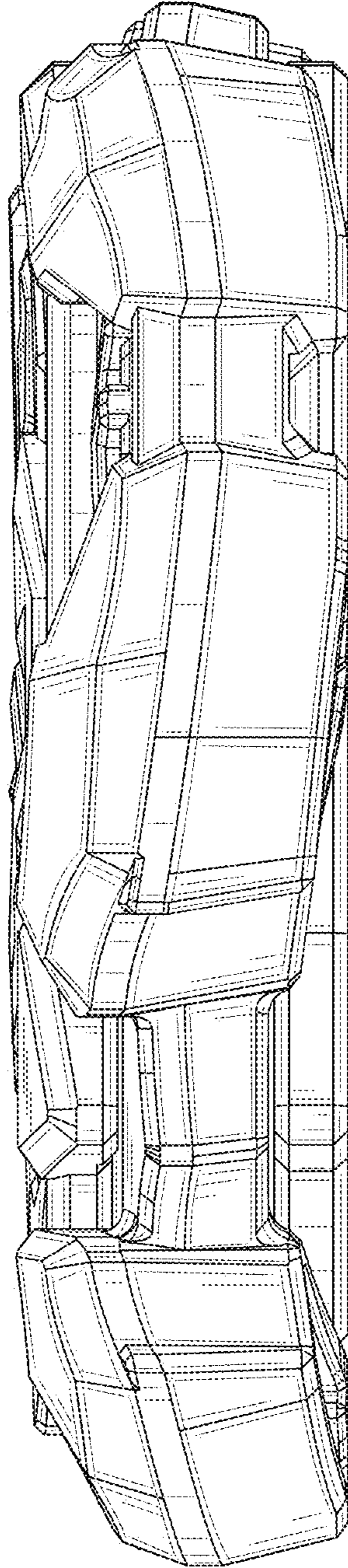


FIG. 4

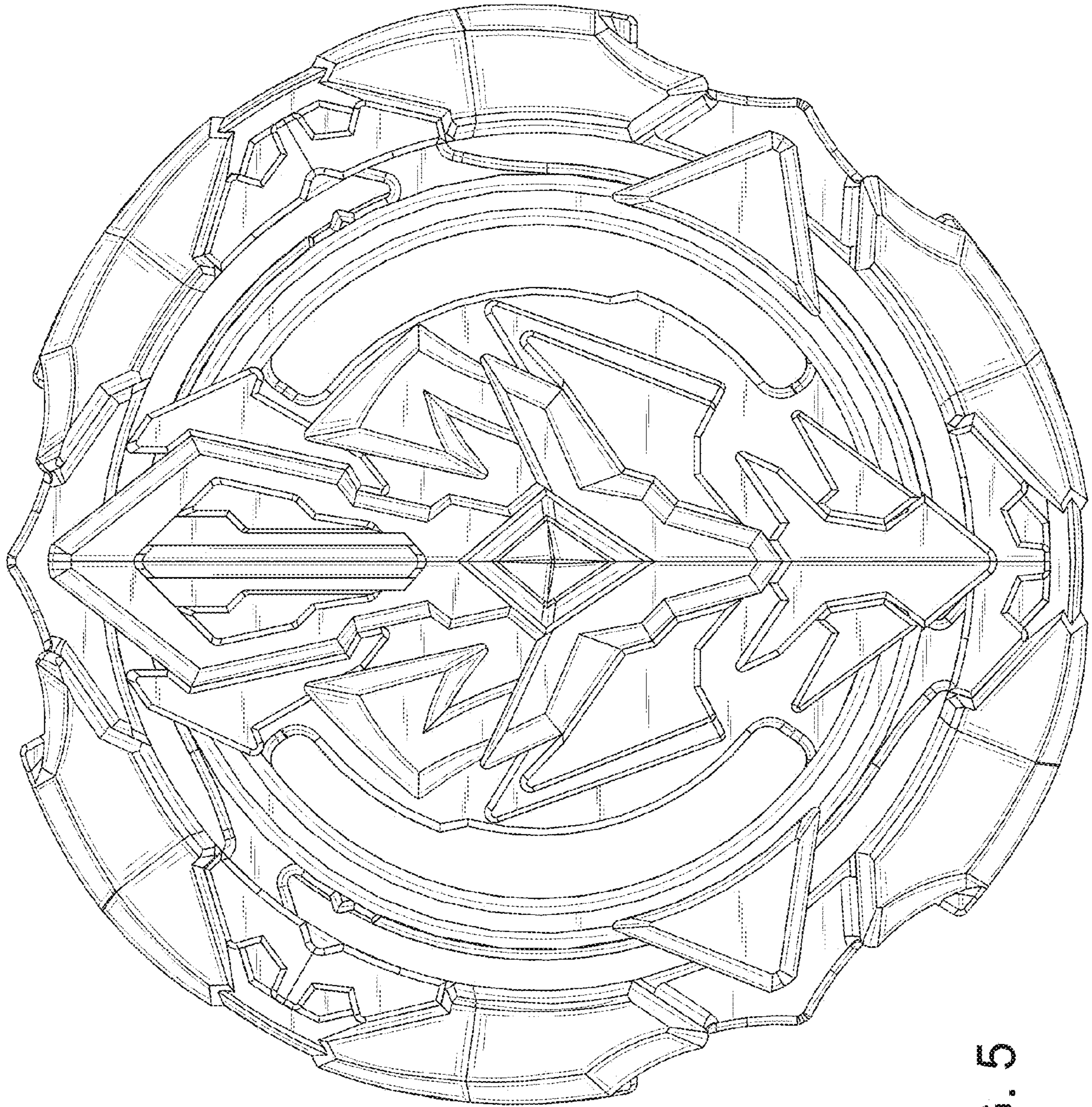


FIG. 5

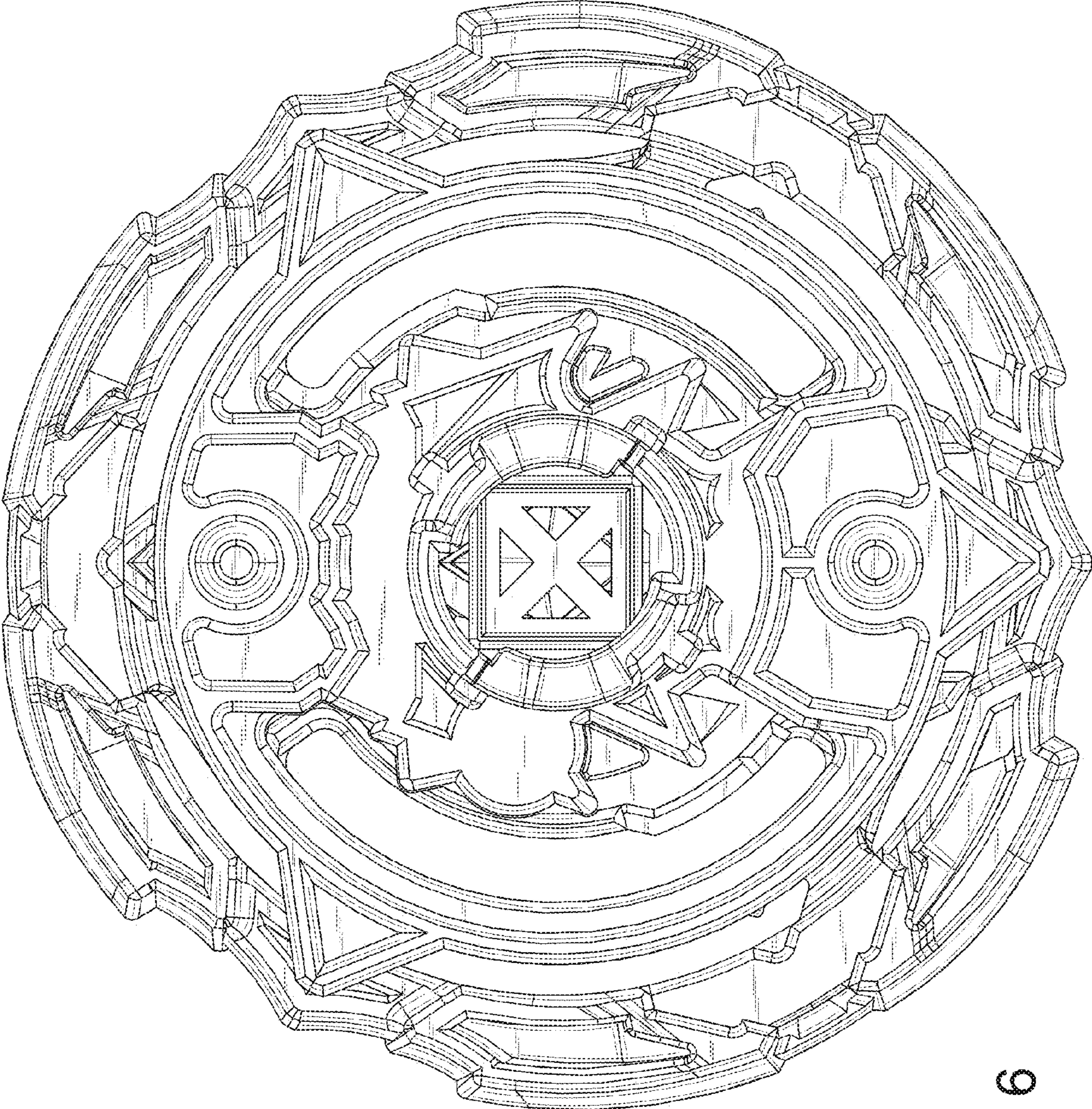


FIG. 6

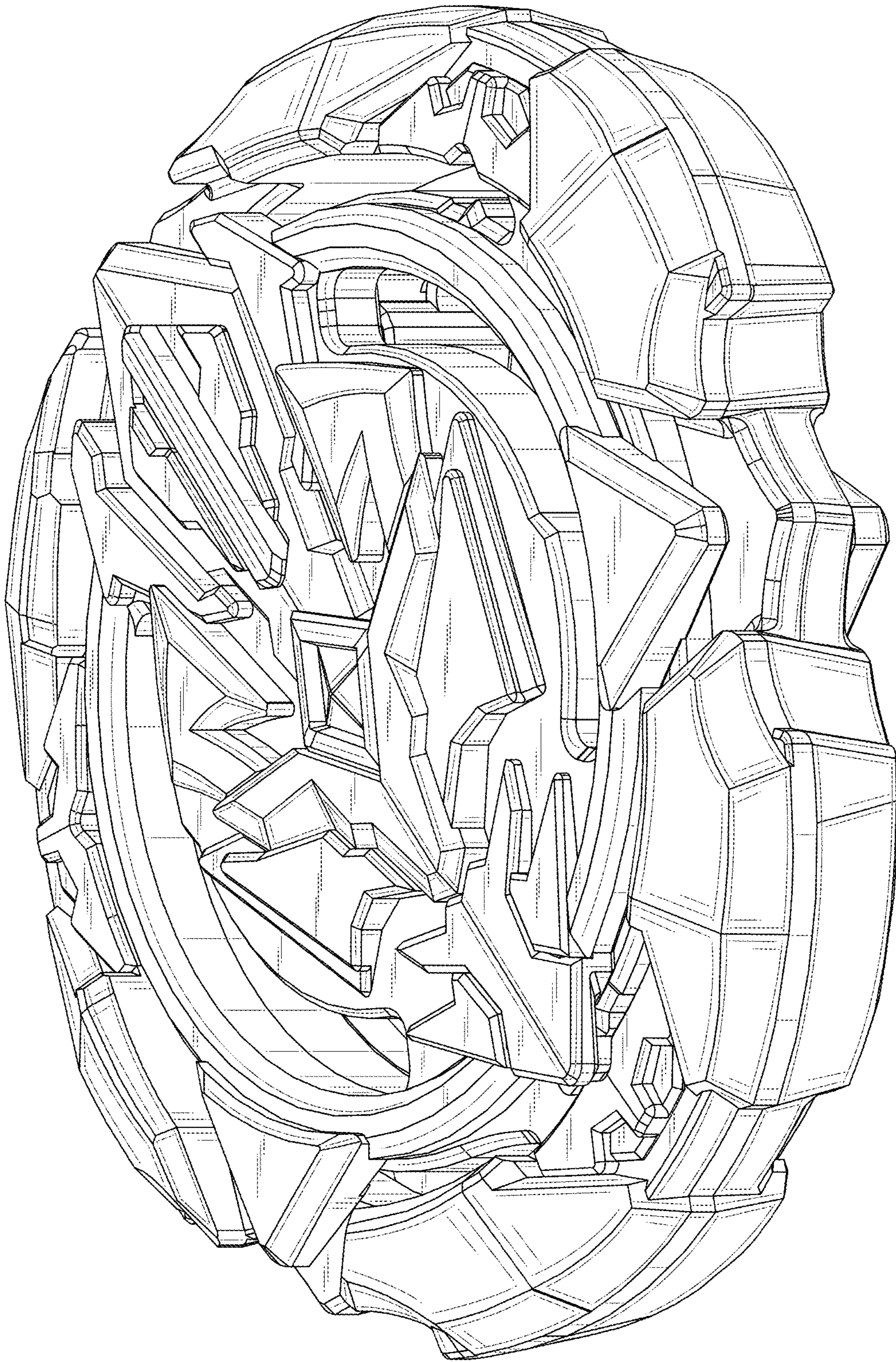


FIG. 7



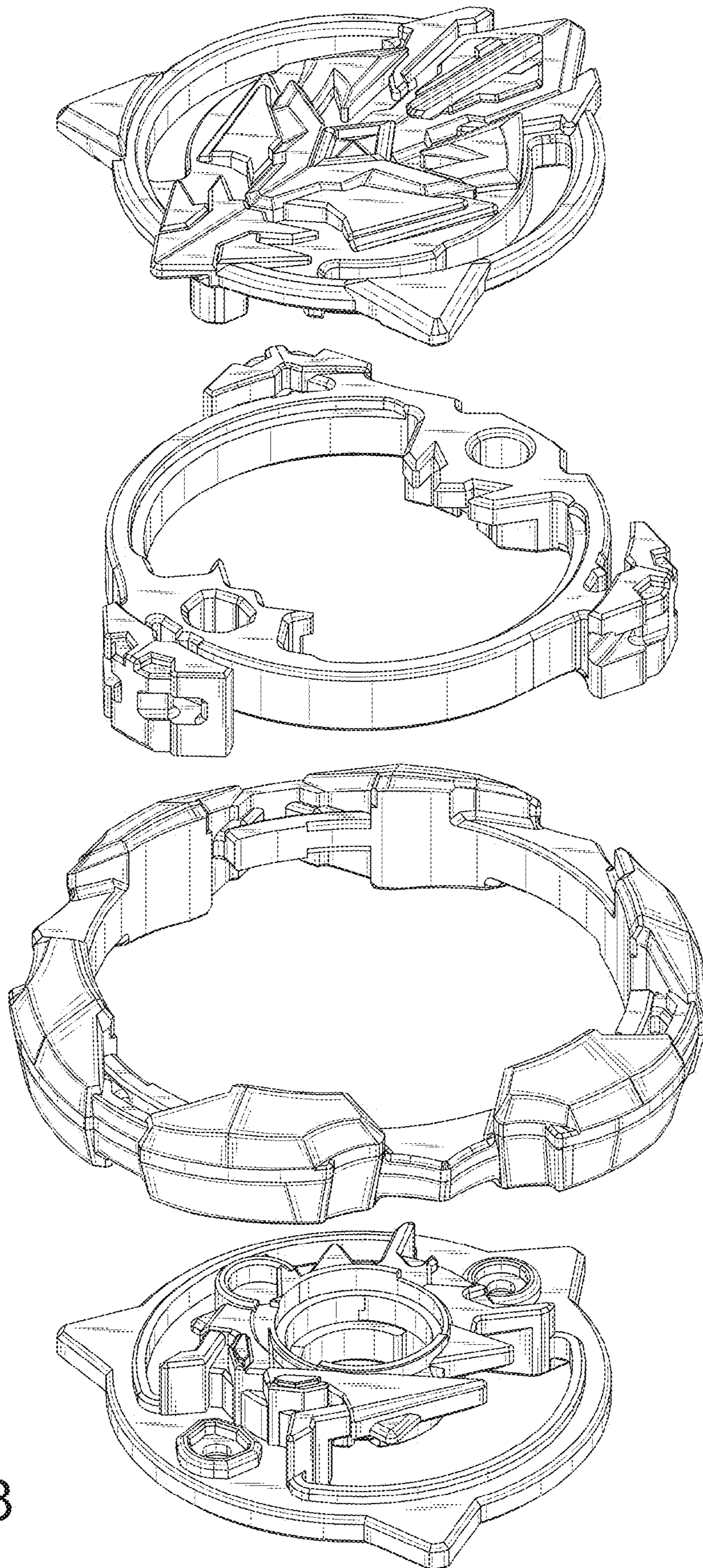


FIG. 8

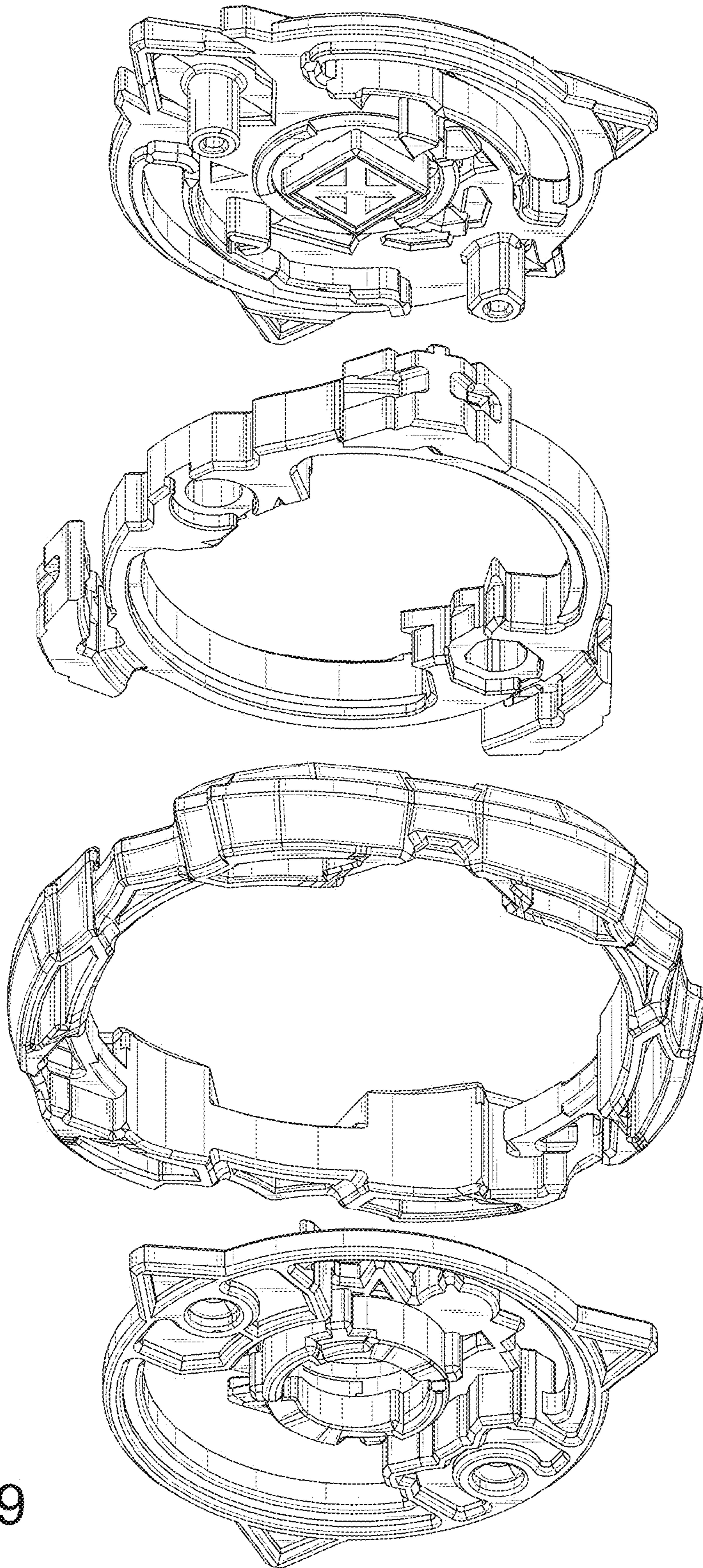


FIG. 9