



US00D892943S

(12) **United States Design Patent**
Horikoshi et al.

(10) **Patent No.:** **US D892,943 S**

(45) **Date of Patent:** **** Aug. 11, 2020**

(54) **ACCESSORY FOR SPINNING TOP TOY**

(71) Applicant: **TOMY COMPANY, LTD.**, Tokyo (JP)

(72) Inventors: **Kenji Horikoshi**, Tokyo (JP); **Hiroyuki Matsukawa**, Tokyo (JP); **Hiroyuki Hama**, Tokyo (JP); **Toshinobu Ishii**, Saitama (JP)

(73) Assignee: **TOMY COMPANY, LTD.**, Tokyo (JP)

(**) Term: **15 Years**

(21) Appl. No.: **29/688,609**

(22) Filed: **Apr. 23, 2019**

(30) **Foreign Application Priority Data**

Oct. 25, 2018 (JP) 2018-023451

(51) **LOC (12) Cl.** **21-01**

(52) **U.S. Cl.**
USPC **D21/460**

(58) **Field of Classification Search**
USPC D21/455-464; 446/236-266
CPC A63H 1/00-32
See application file for complete search history.

(56) **References Cited**

U.S. PATENT DOCUMENTS

D827,044 S *	8/2018	Horikoshi	D21/460
D827,046 S *	8/2018	Horikoshi	D21/460
D834,103 S *	11/2018	Horikoshi	D21/460
D837,899 S *	1/2019	Narita	D21/460
D839,967 S *	2/2019	Horikoshi	D21/460
D842,935 S *	3/2019	Horikoshi	D21/460
D849,849 S *	5/2019	Muraki	D21/460
D851,709 S *	6/2019	Muraki	D21/460

D852,281 S *	6/2019	Horikoshi	D21/460
D854,628 S *	7/2019	Saito	D21/460
D855,118 S *	7/2019	Saito	D21/460
D855,119 S *	7/2019	Saito	D21/460
D862,607 S *	10/2019	Horikoshi	D21/460
D862,608 S *	10/2019	Yamasaki	D21/460
D873,351 S *	1/2020	Horikoshi	D21/460
D875,842 S *	2/2020	Nakajima	D21/460
D875,844 S *	2/2020	Horikoshi	D21/460
D876,554 S *	2/2020	Muraki	D21/460
D880,623 S *	4/2020	Narita	D21/460

FOREIGN PATENT DOCUMENTS

JP 6431629 B1 * 11/2018 A63H 1/04

* cited by examiner

Primary Examiner — Catherine A Tuttle

(74) *Attorney, Agent, or Firm* — Oliff PLC

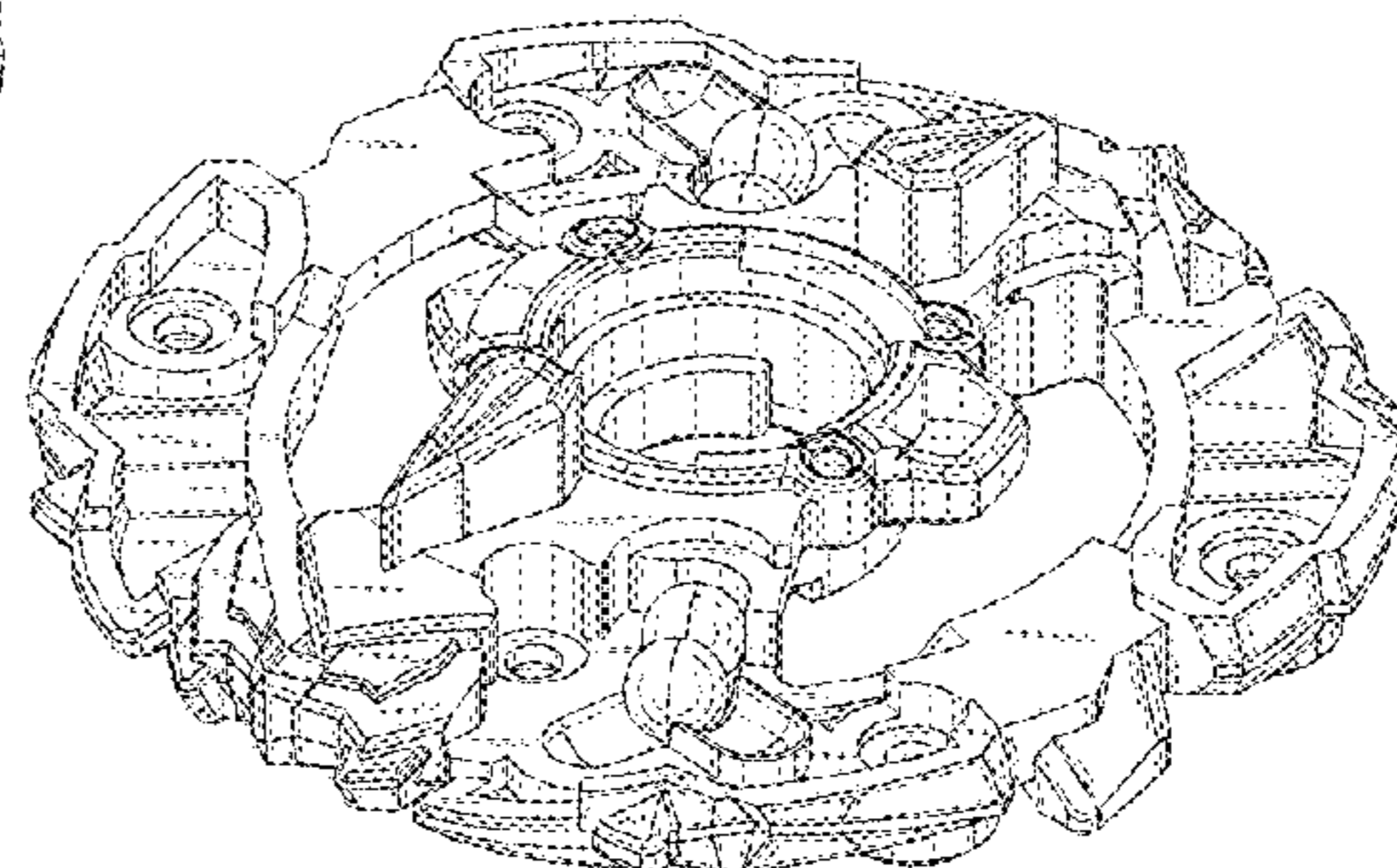
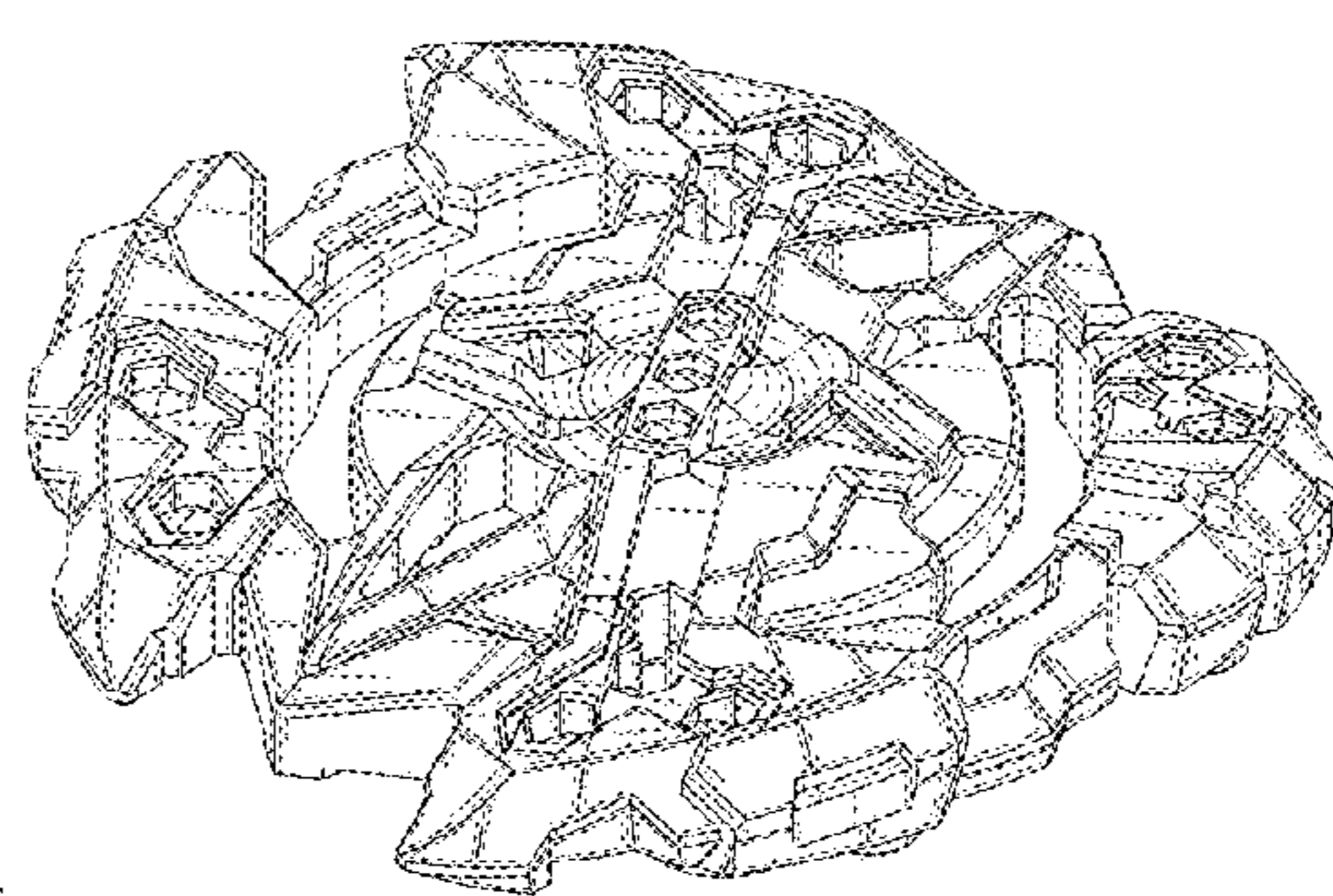
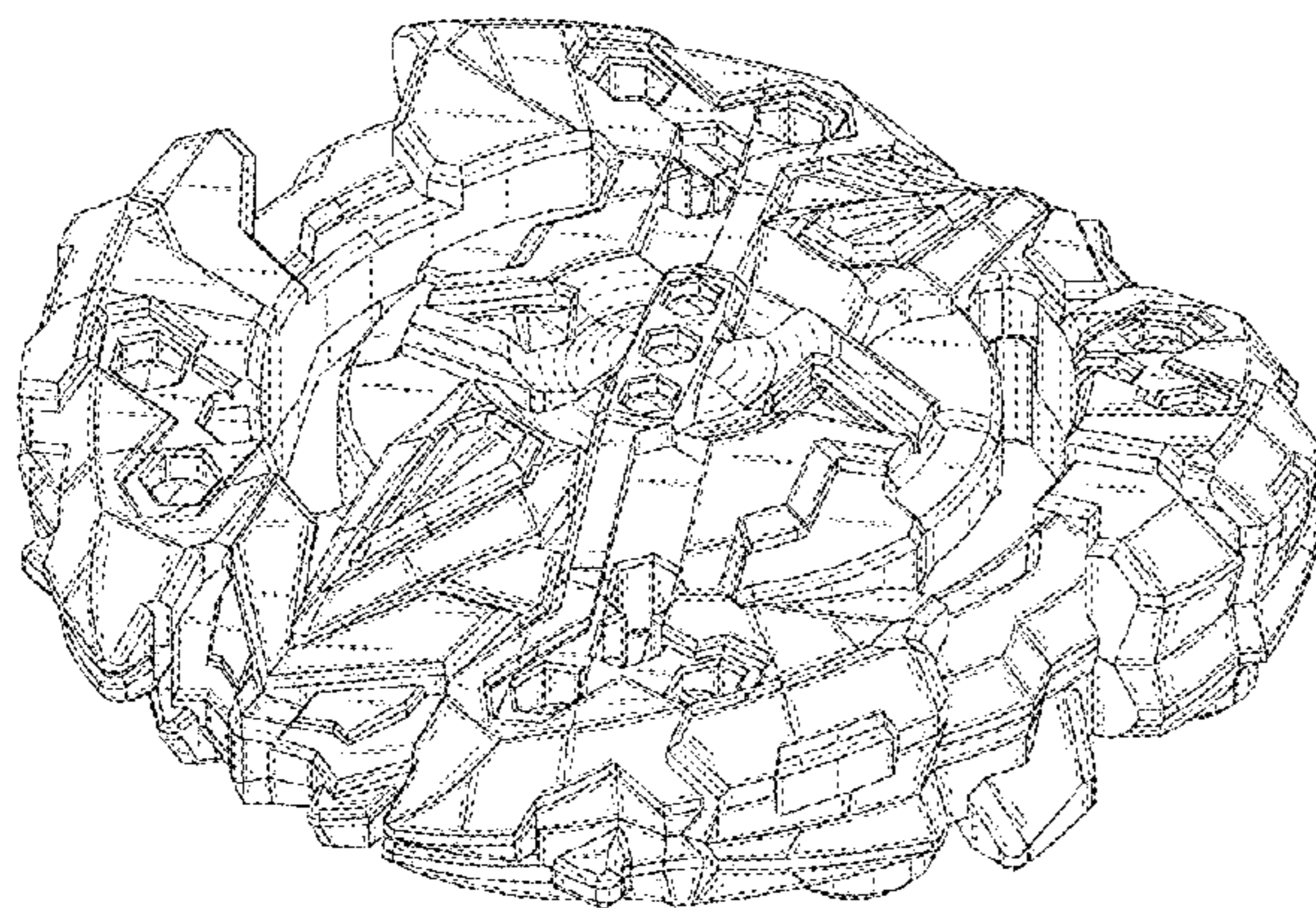
(57) **CLAIM**

The ornamental design for an accessory for spinning top toy, as shown and described.

DESCRIPTION

FIG. 1 is a front elevational view of the accessory for spinning top toy;
FIG. 2 is a rear elevational view thereof;
FIG. 3 is a left-side elevational view thereof;
FIG. 4 is a right-side elevational view thereof;
FIG. 5 is a top plan view thereof;
FIG. 6 is a bottom plan view thereof;
FIG. 7 is a front, top and right side perspective view thereof;
FIG. 8 is a disassembled front, top and right side perspective view thereof; and,
FIG. 9 is a disassembled rear, bottom and left side perspective view thereof.

1 Claim, 9 Drawing Sheets



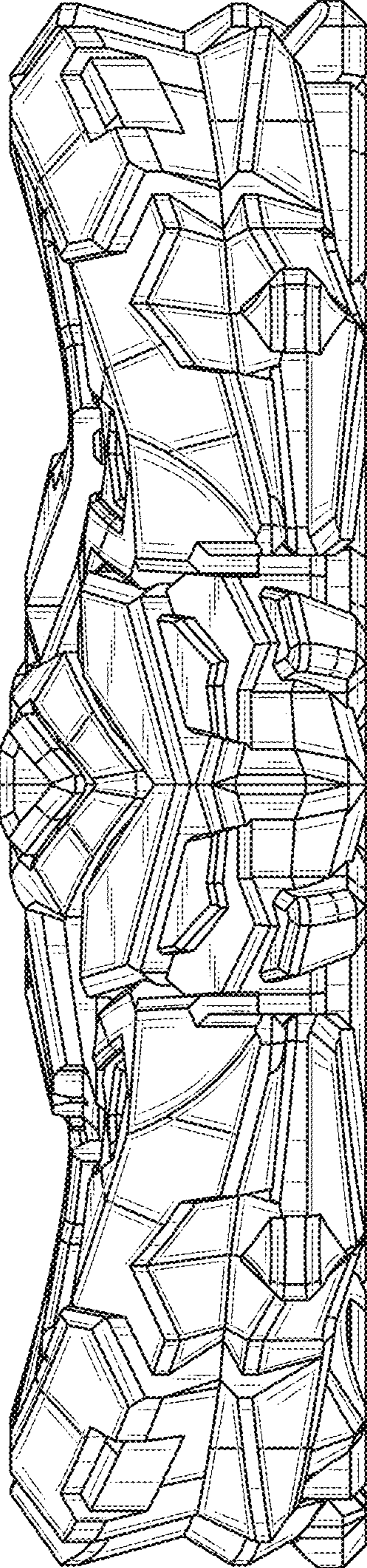


FIG.1

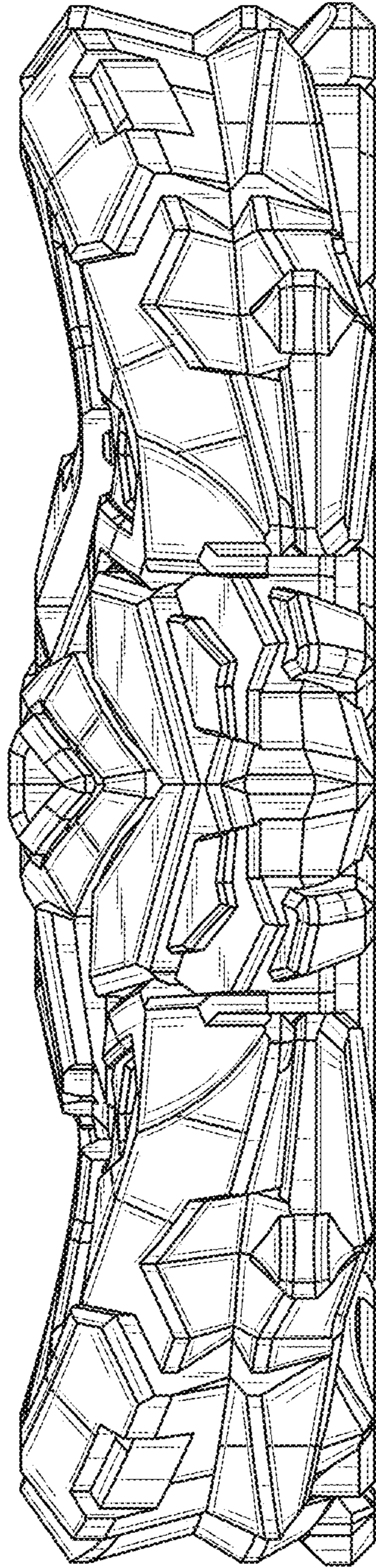


FIG.2

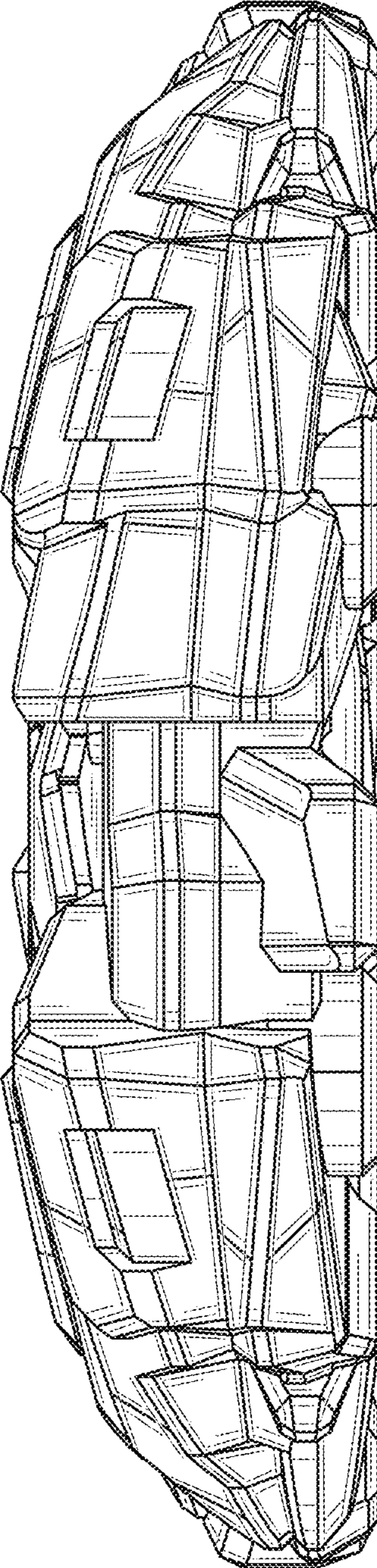


FIG.3

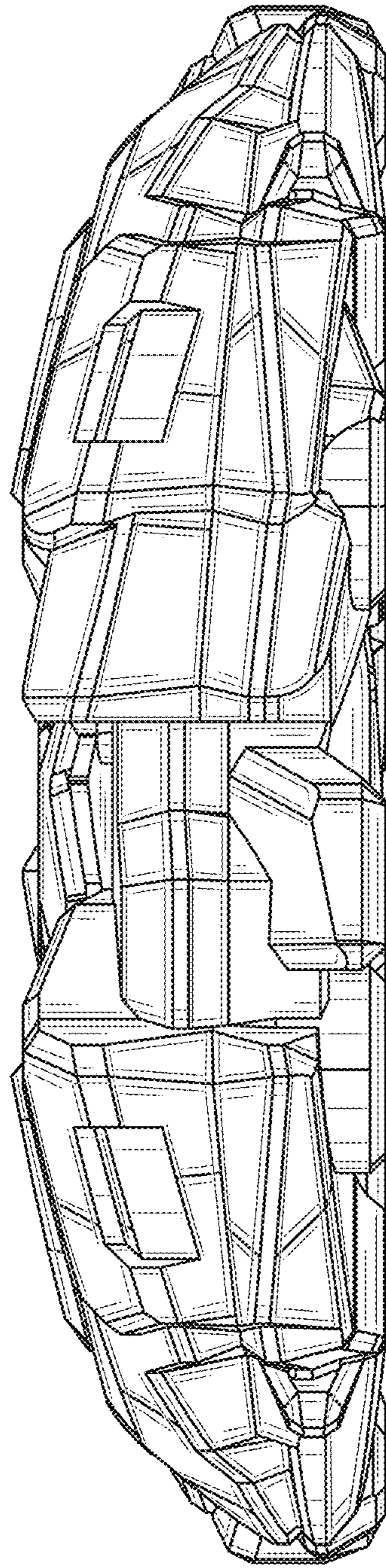


FIG.4

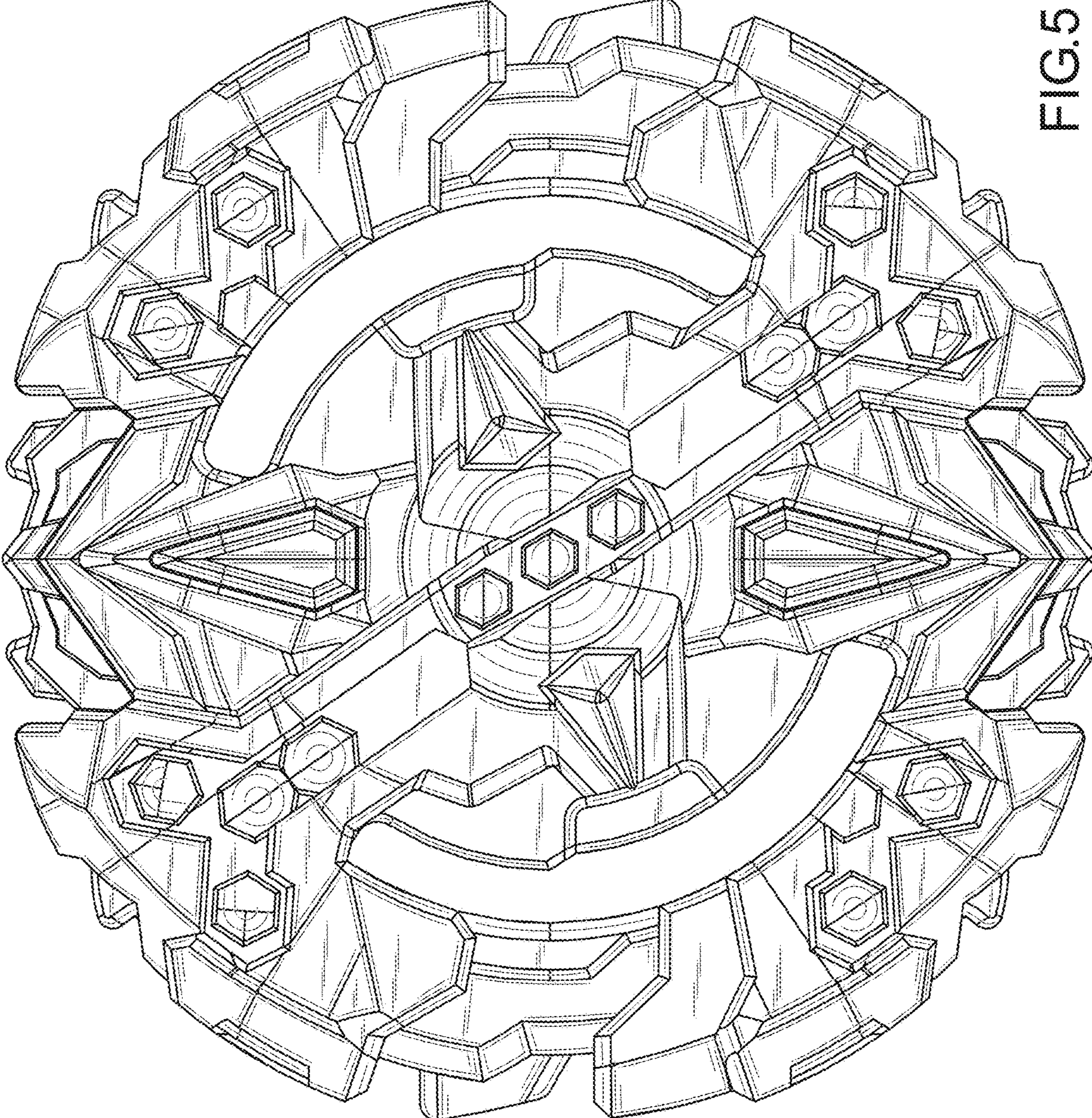


FIG.5

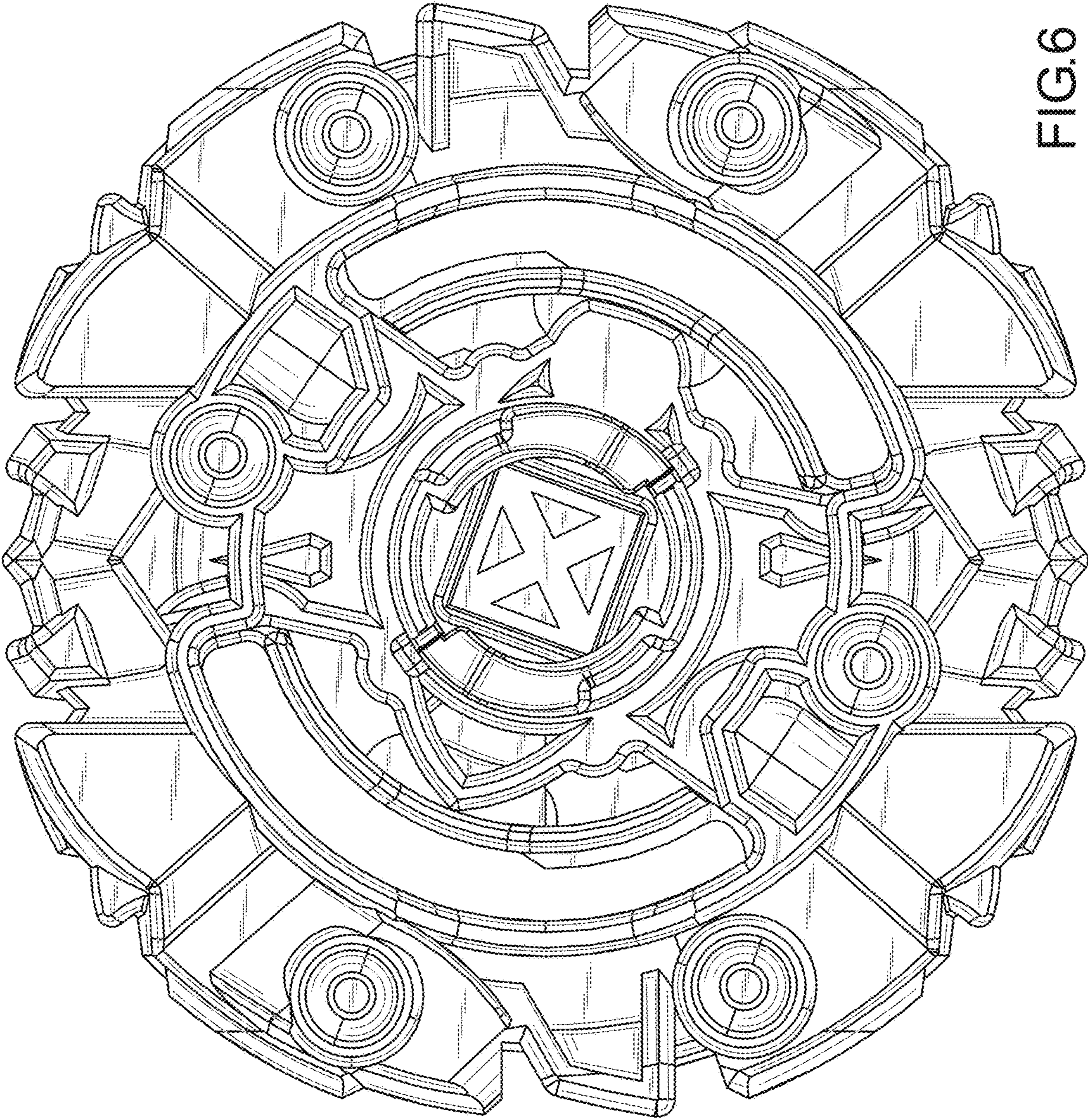


FIG. 6

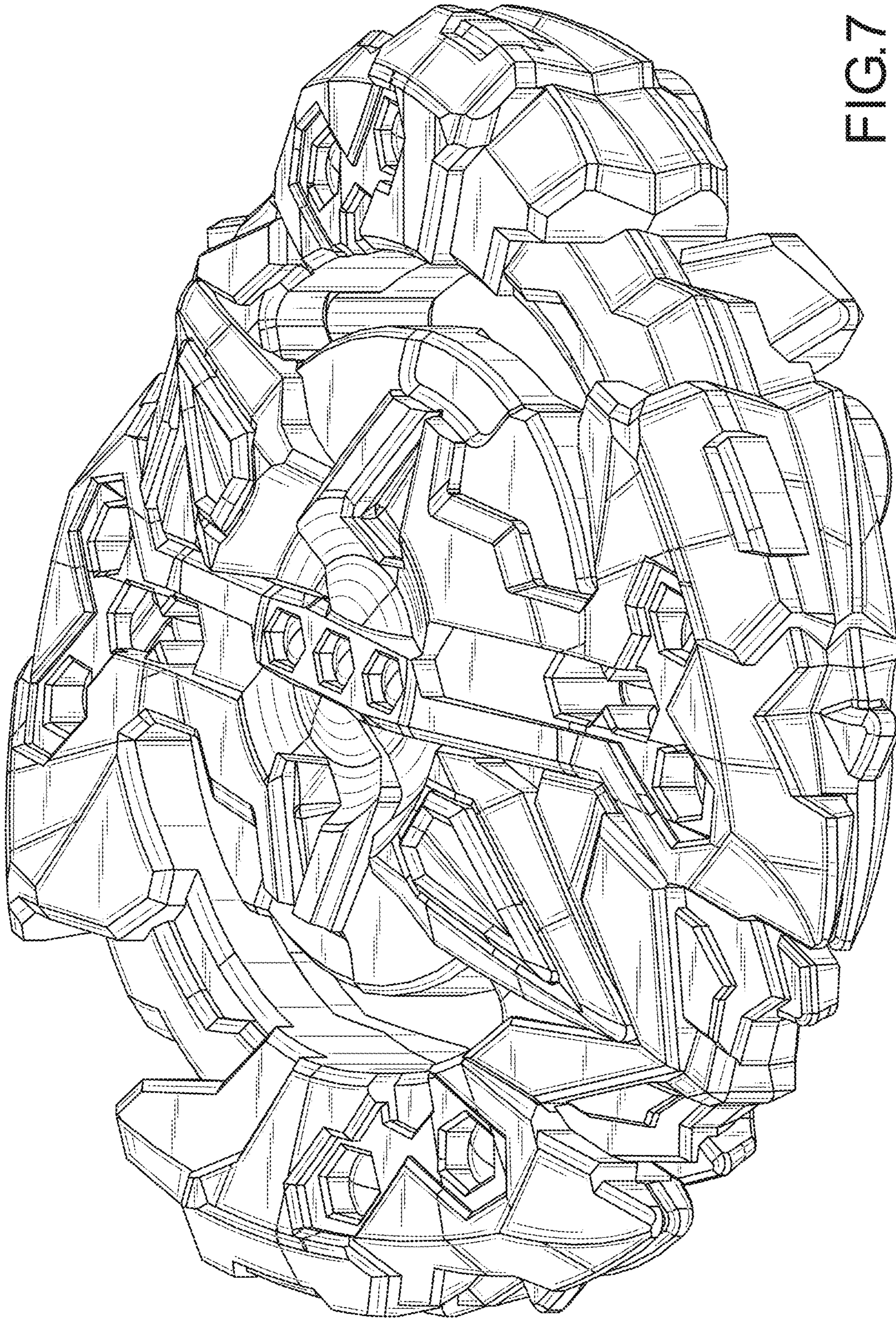


FIG. 7

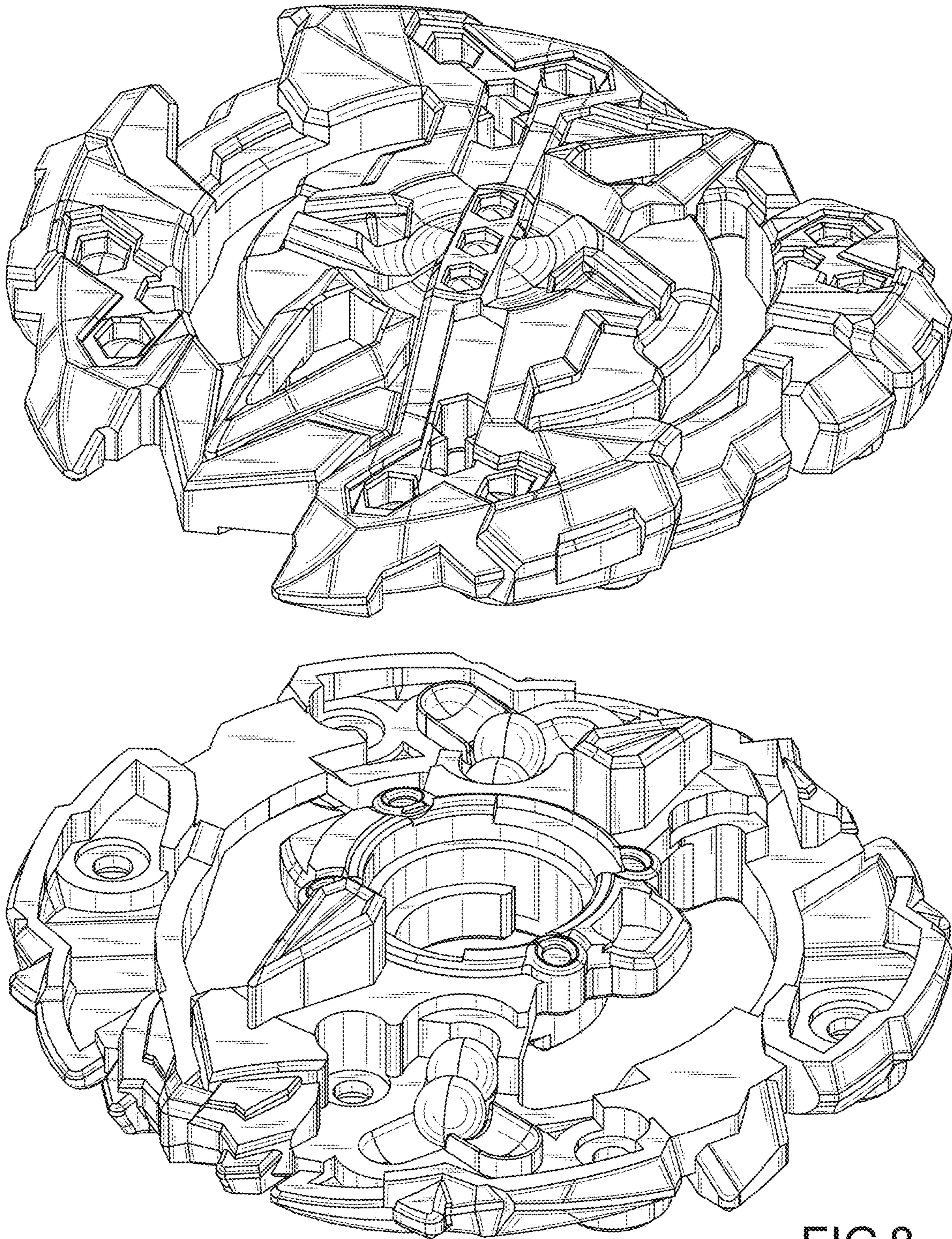


FIG.8

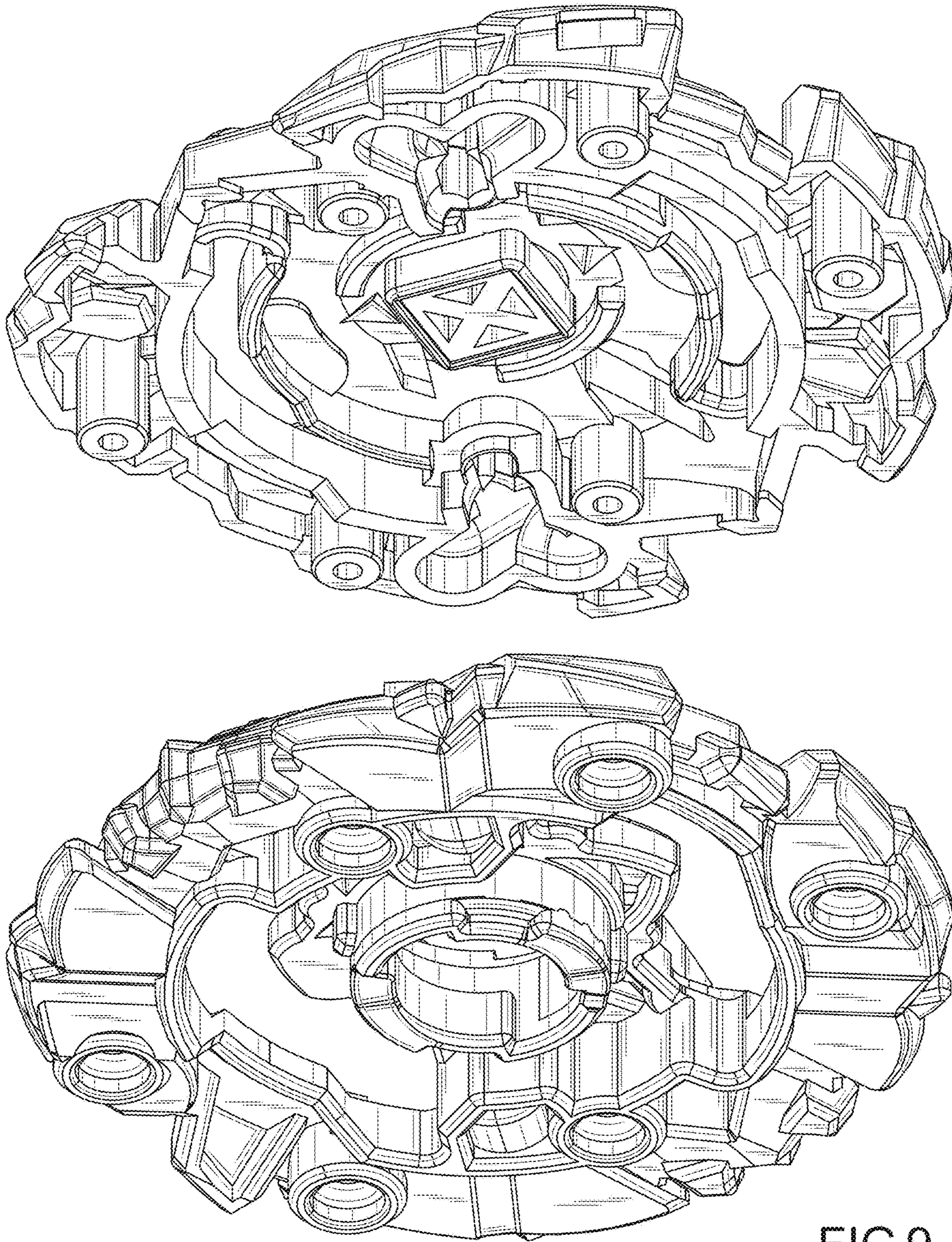


FIG.9