



US00D892942S

(12) **United States Design Patent**
Muraki et al.

(10) **Patent No.:** **US D892,942 S**

(45) **Date of Patent:** **** Aug. 11, 2020**

(54) **ACCESSORY FOR SPINNING TOP TOY**
(71) Applicant: **TOMY COMPANY, LTD.**, Tokyo (JP)
(72) Inventors: **Makoto Muraki**, Tokyo (JP); **Hiroyuki Matsukawa**, Tokyo (JP)
(73) Assignee: **TOMY COMPANY, LTD.**, Tokyo (JP)
(**) Term: **15 Years**

D855,117 S * 7/2019 Horikoshi D21/460
D855,118 S * 7/2019 Saito D21/460
D855,119 S * 7/2019 Saito D21/460
D862,606 S * 10/2019 Horikoshi D21/460
D862,608 S * 10/2019 Yamasaki D21/460
D873,351 S * 1/2020 Horikoshi D21/460
D875,841 S * 2/2020 Nakajima D21/460
D875,842 S * 2/2020 Nakajima D21/460
D875,843 S * 2/2020 Muraki D21/460
D875,844 S * 2/2020 Horikoshi D21/460
D876,554 S * 2/2020 Muraki D21/460
D880,623 S * 4/2020 Narita D21/460

(21) Appl. No.: **29/687,694**

(22) Filed: **Apr. 15, 2019**

(30) **Foreign Application Priority Data**

Oct. 15, 2018 (JP) 2018-022603

(51) **LOC (12) Cl.** **21-01**

(52) **U.S. Cl.**
USPC **D21/460**

(58) **Field of Classification Search**
USPC D21/455-464; 446/236-266
CPC A63H 1/00-32
See application file for complete search history.

(56) **References Cited**

U.S. PATENT DOCUMENTS

D825,007 S * 8/2018 Muraki D21/460
D825,671 S * 8/2018 Horikoshi D21/460
D834,103 S * 11/2018 Horikoshi D21/460
D835,724 S * 12/2018 Muraki D21/460
D839,967 S * 2/2019 Horikoshi D21/460
D841,098 S * 2/2019 Narita D21/460
D841,099 S * 2/2019 Matsukawa D21/460
D851,709 S * 6/2019 Muraki D21/460
D852,281 S * 6/2019 Horikoshi D21/460
D854,096 S * 7/2019 Muraki D21/460
D854,097 S * 7/2019 Muraki D21/460
D854,627 S * 7/2019 Saito D21/460

FOREIGN PATENT DOCUMENTS

JP 6431629 B1 * 11/2018 A63H 1/04
JP 6593819 B1 * 10/2019 A63H 1/04

* cited by examiner

Primary Examiner — Catherine A Tuttle
(74) *Attorney, Agent, or Firm* — Oliff PLC

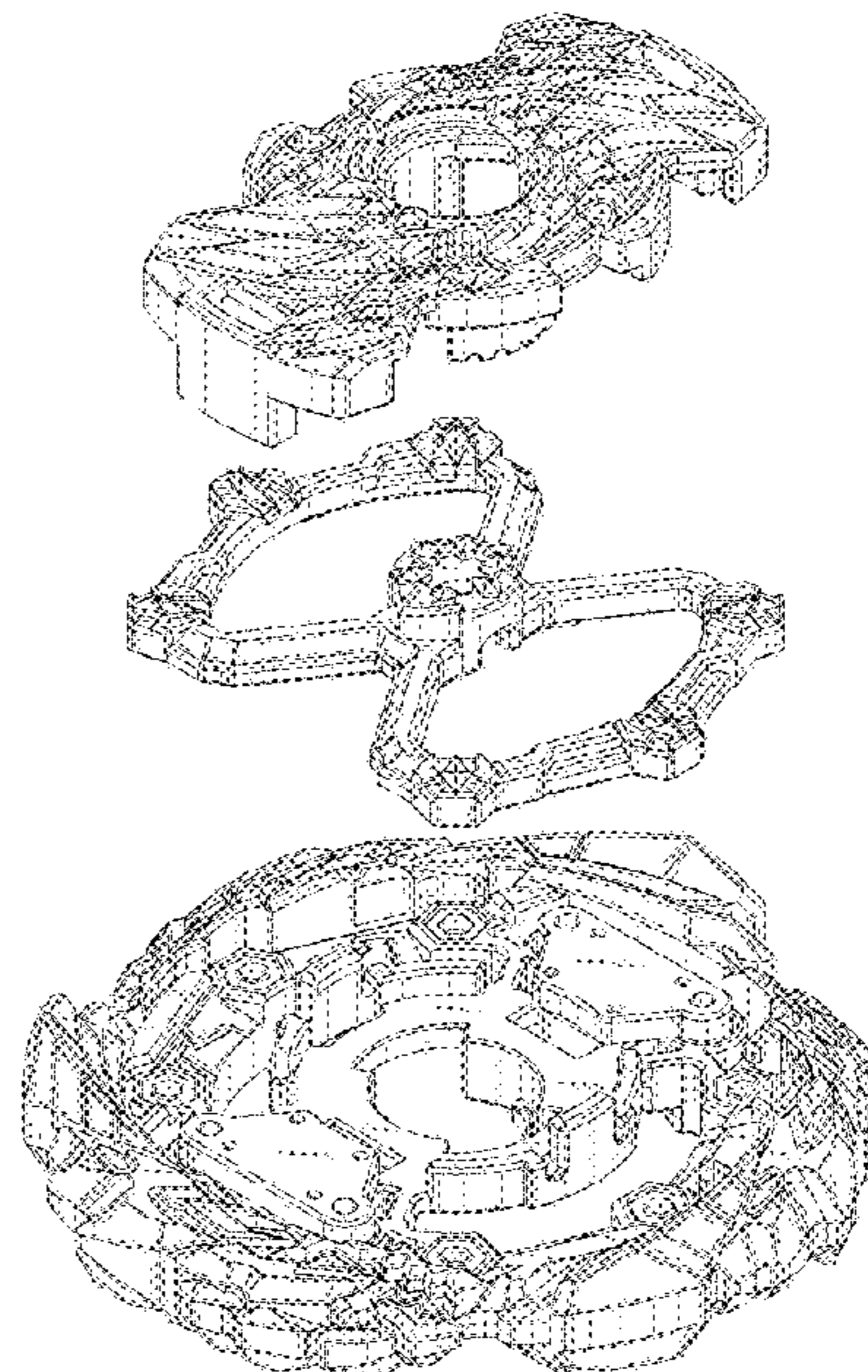
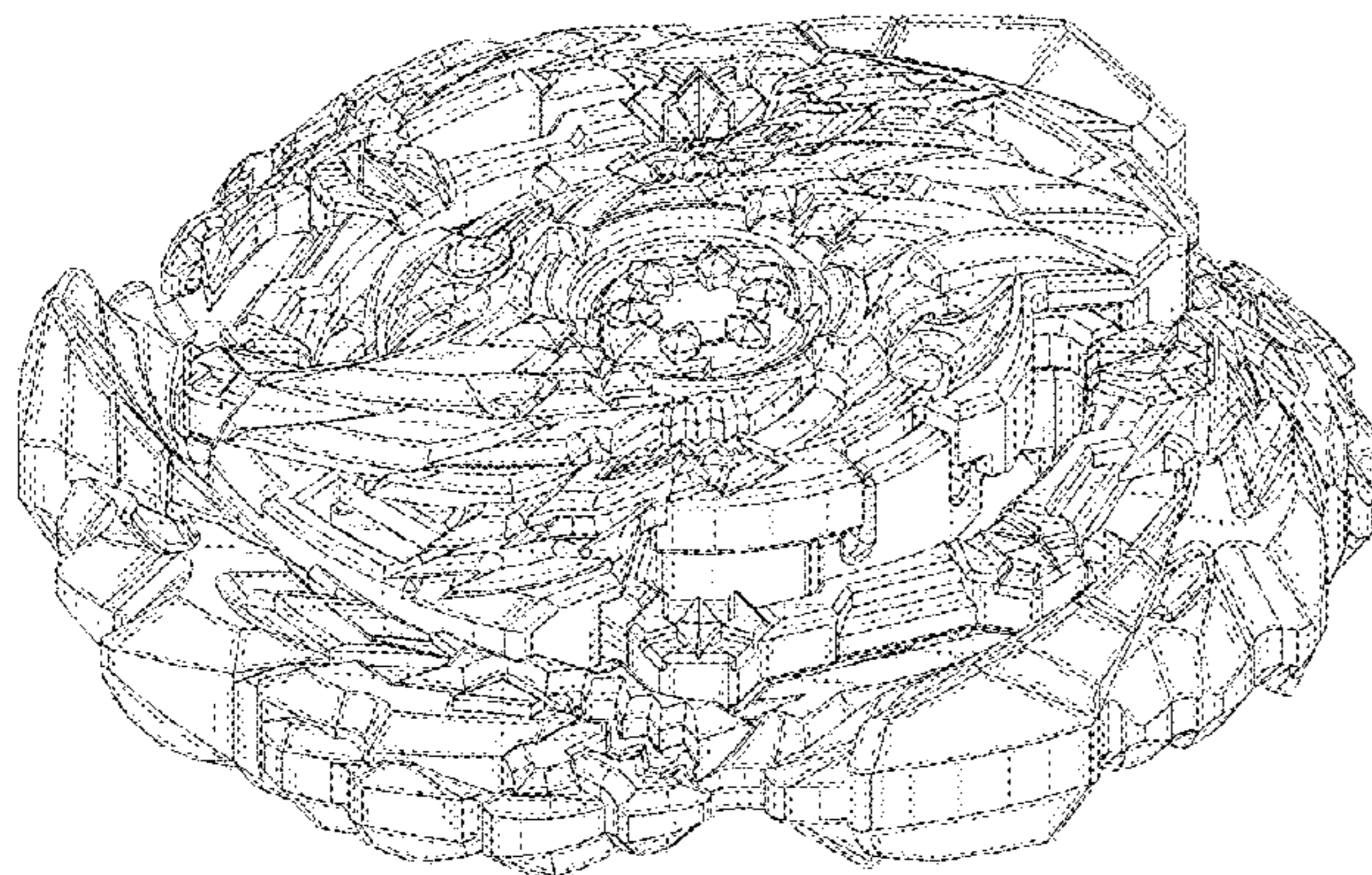
(57) **CLAIM**

The ornamental design for an accessory for spinning top toy, as shown and described.

DESCRIPTION

FIG. 1 is a front elevational view of the accessory for spinning top toy;
FIG. 2 is a rear elevational view thereof;
FIG. 3 is a left-side elevational view thereof;
FIG. 4 is a right-side elevational view thereof;
FIG. 5 is a top plan view thereof;
FIG. 6 is a bottom plan view thereof;
FIG. 7 is a front, top and right side perspective view thereof;
FIG. 8 is a disassembled front, top and right side perspective view thereof; and,
FIG. 9 is a disassembled rear, bottom and left side perspective view thereof.

1 Claim, 9 Drawing Sheets



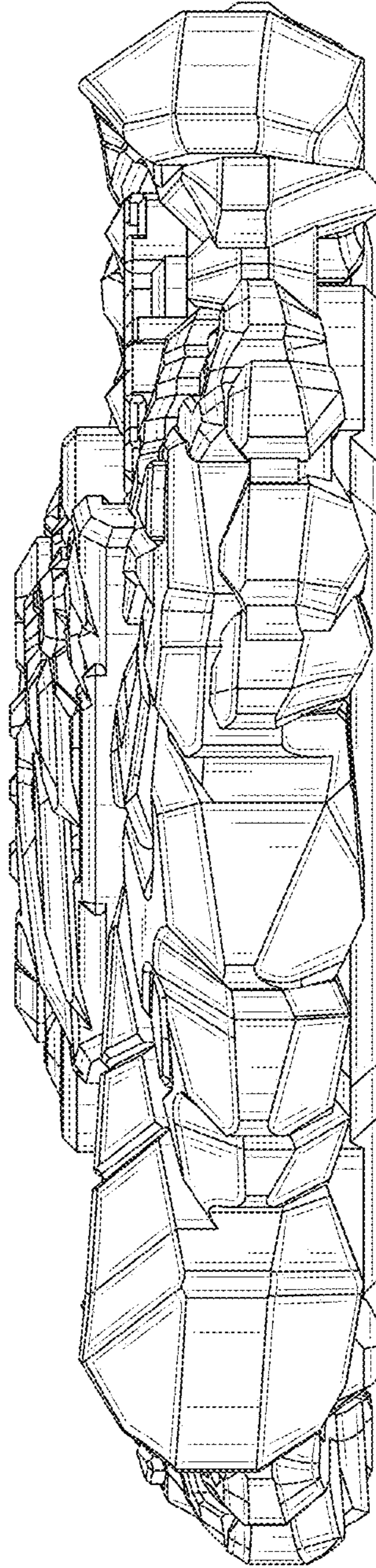


FIG. 1

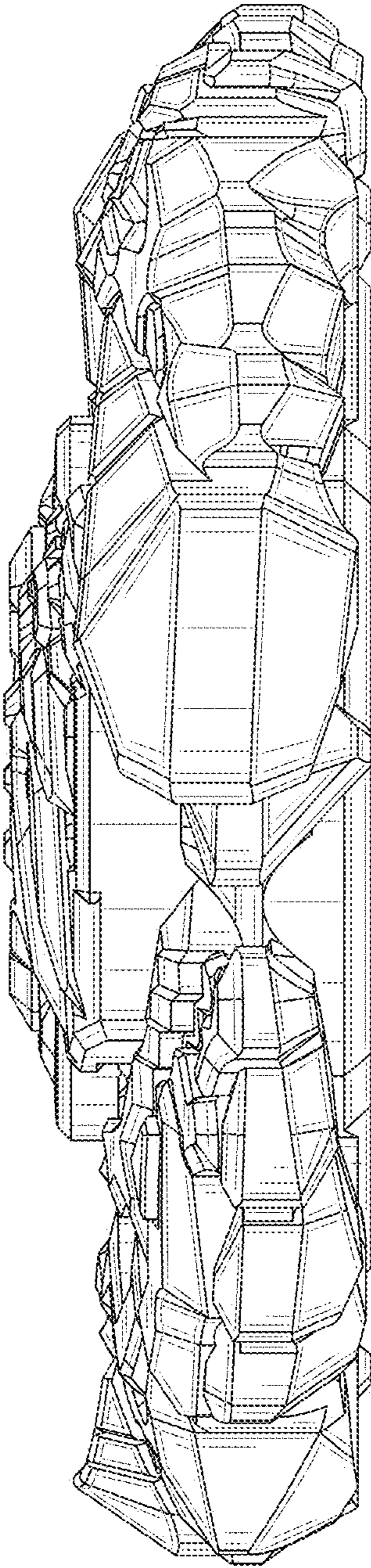


FIG. 2

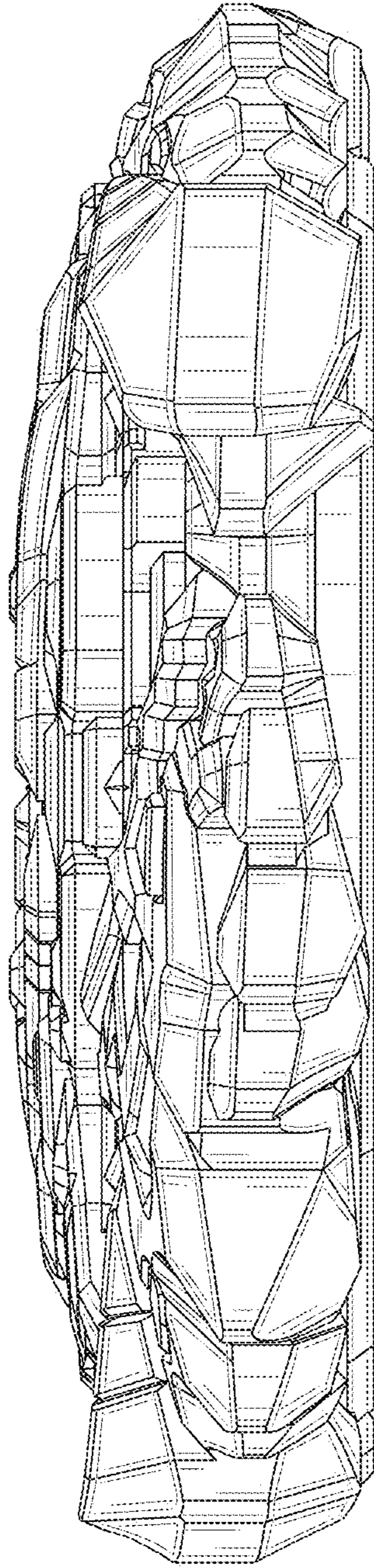


FIG. 3

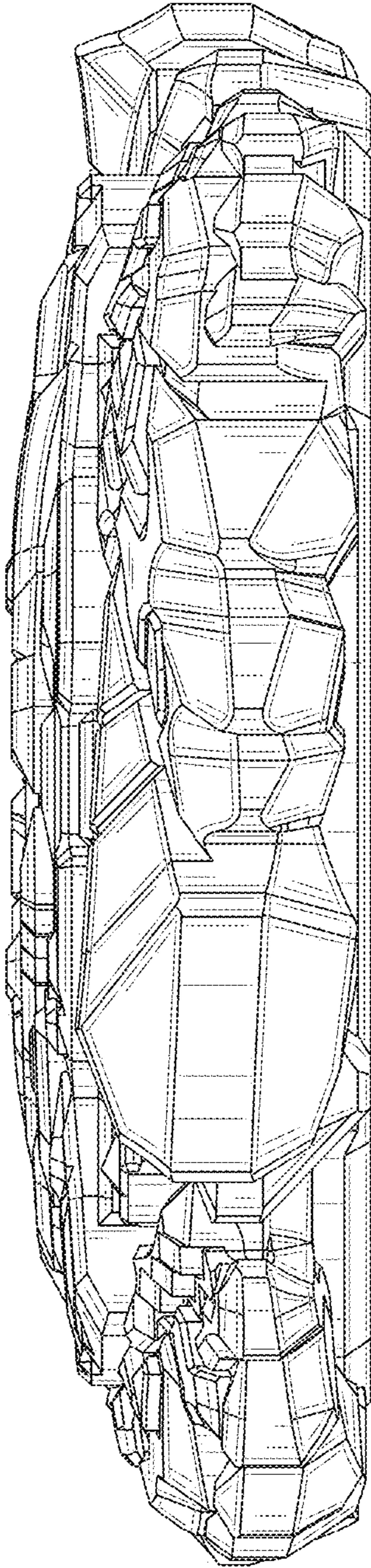


FIG. 4

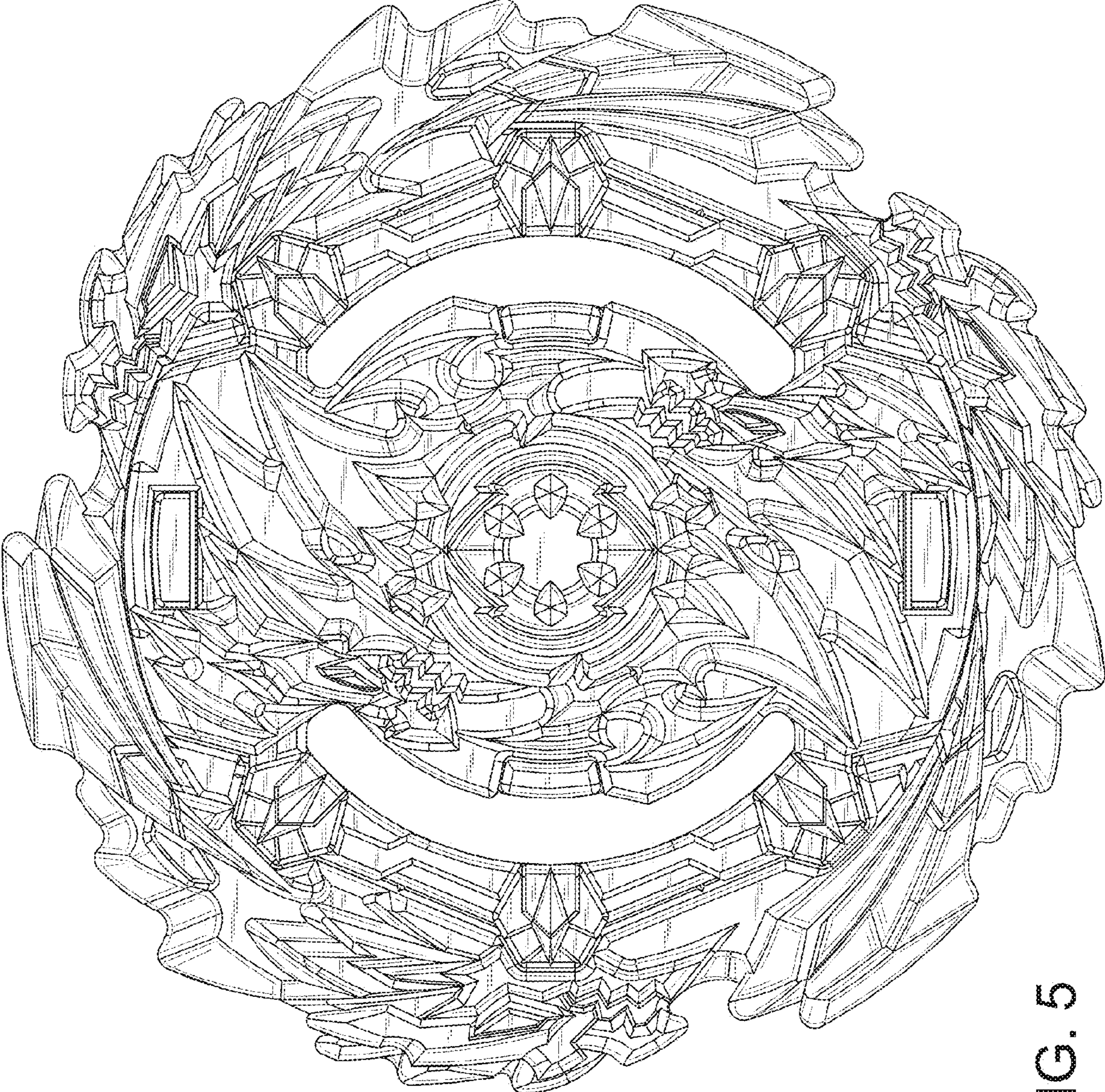


FIG. 5

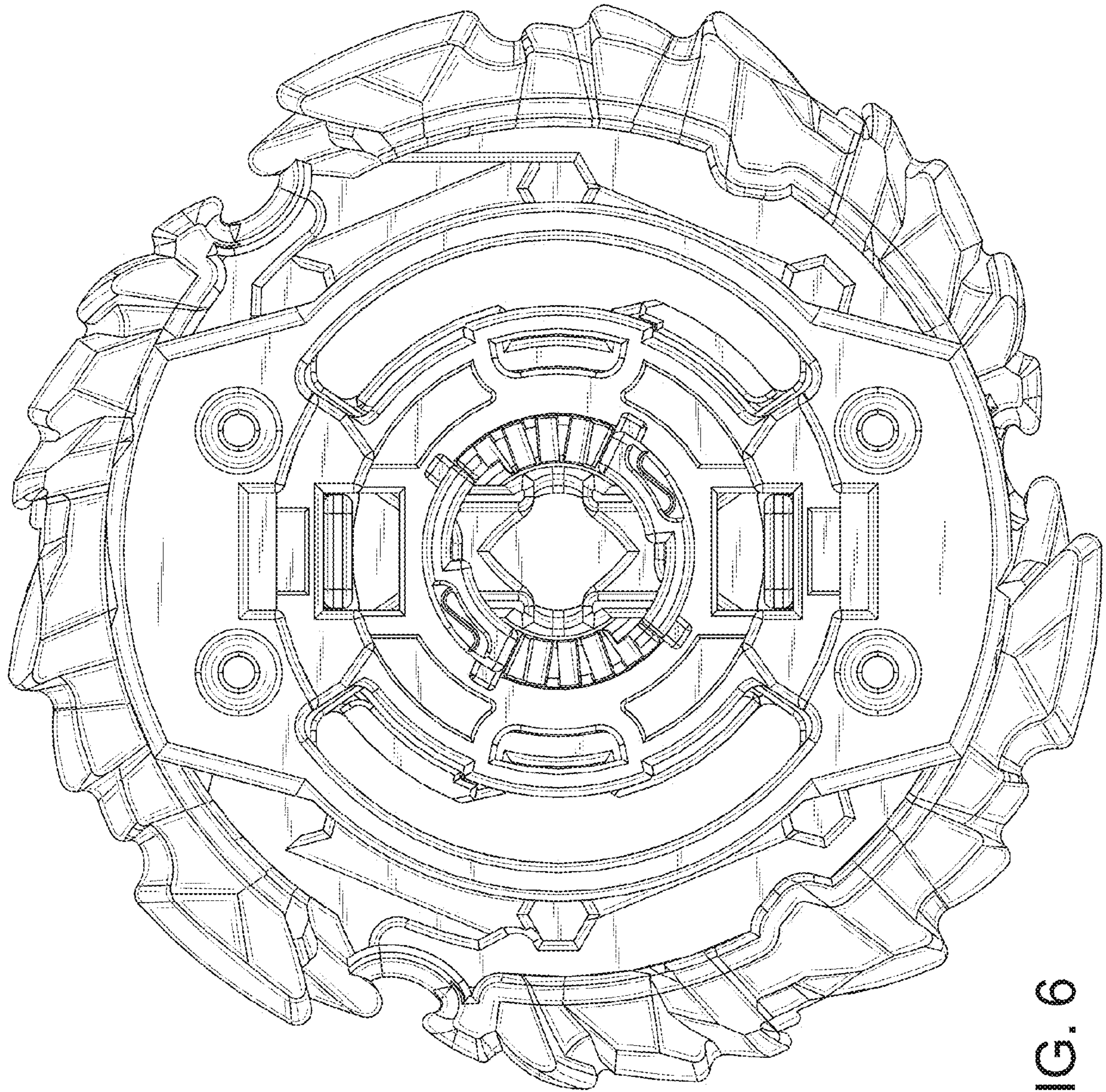


FIG. 6

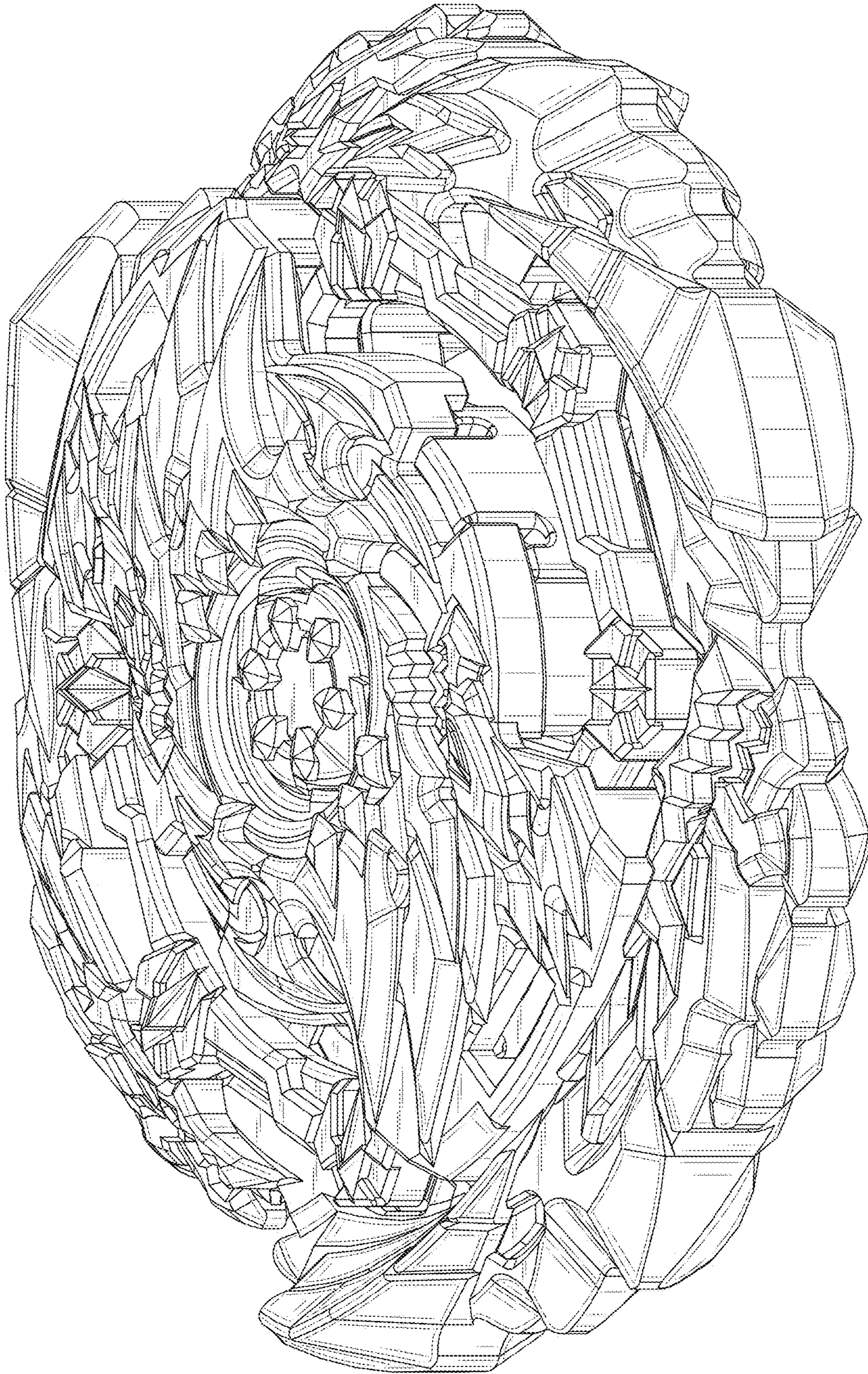


FIG. 7

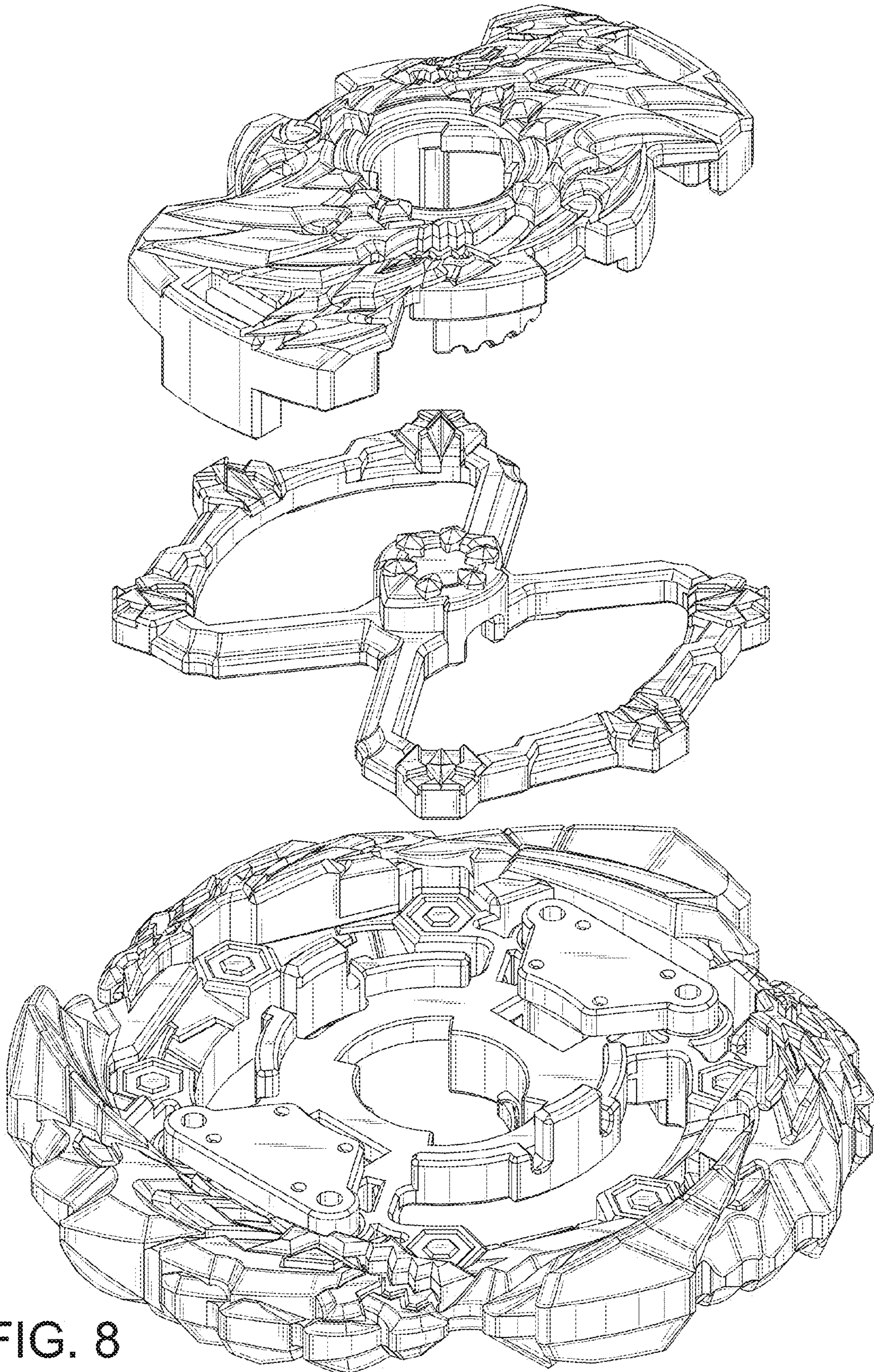


FIG. 8

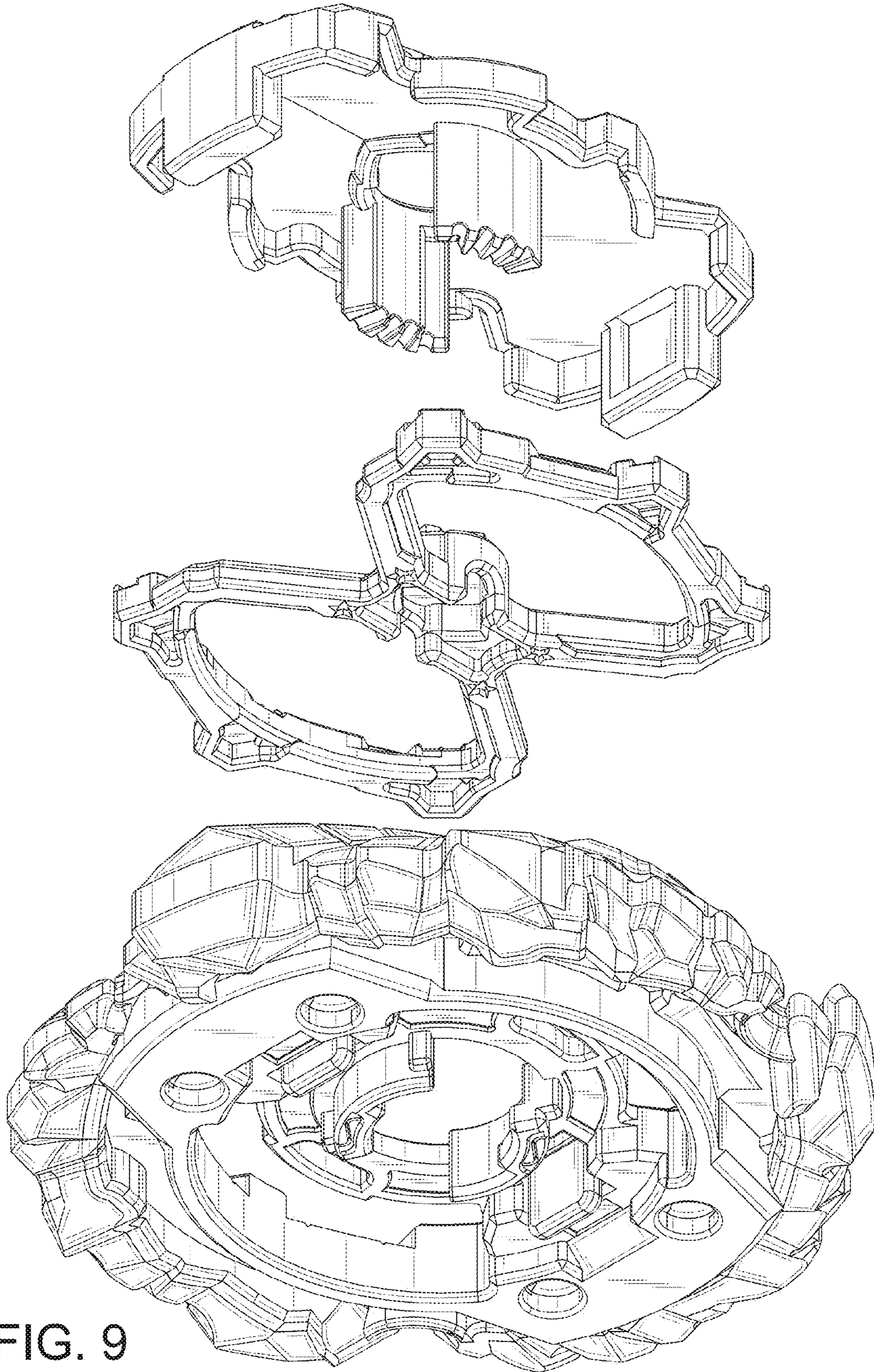


FIG. 9