



US00D892940S

(12) **United States Design Patent**  
**Matsukawa et al.**

(10) **Patent No.:** **US D892,940 S**

(45) **Date of Patent:** **\*\* Aug. 11, 2020**

- (54) **ACCESSORY FOR SPINNING TOP TOY**
- (71) Applicant: **TOMY COMPANY, LTD.**, Tokyo (JP)
- (72) Inventors: **Hiroyuki Matsukawa**, Tokyo (JP);  
**Makoto Muraki**, Tokyo (JP)
- (73) Assignee: **TOMY COMPANY, LTD.**, Tokyo (JP)
- (\*\*) Term: **15 Years**

D855,118 S *	7/2019	Saito .....	D21/460
D855,119 S *	7/2019	Saito .....	D21/460
D857,108 S *	8/2019	Horikoshi .....	D21/460
D862,605 S *	10/2019	Horikoshi .....	D21/460
D862,606 S *	10/2019	Horikoshi .....	D21/460
D862,608 S *	10/2019	Yamasaki .....	D21/460
D873,351 S *	1/2020	Horikoshi .....	D21/460
D875,841 S *	2/2020	Nakajima .....	D21/460
D875,842 S *	2/2020	Nakajima .....	D21/460
D875,843 S *	2/2020	Muraki .....	D21/460
D875,844 S *	2/2020	Horikoshi .....	D21/460
D876,554 S *	2/2020	Muraki .....	D21/460

(21) Appl. No.: **29/687,097**

(22) Filed: **Apr. 10, 2019**

(30) **Foreign Application Priority Data**

Oct. 10, 2018 (JP) ..... 2018-022177

(51) **LOC (12) Cl.** ..... **21-01**

(52) **U.S. Cl.**  
USPC ..... **D21/460**

(58) **Field of Classification Search**  
USPC ..... D21/455-464; 446/236-266  
CPC ..... A63H 1/00-32  
See application file for complete search history.

(56) **References Cited**

**U.S. PATENT DOCUMENTS**

D820,919 S *	6/2018	Horikoshi .....	D21/460
D825,673 S *	8/2018	Matsukawa .....	D21/460
D827,044 S *	8/2018	Horikoshi .....	D21/460
D834,103 S *	11/2018	Horikoshi .....	D21/460
D841,098 S *	2/2019	Narita .....	D21/460
D841,099 S *	2/2019	Matsukawa .....	D21/460
D844,069 S *	3/2019	Horikawa .....	D21/460
D849,849 S *	5/2019	Muraki .....	D21/460
D851,709 S *	6/2019	Muraki .....	D21/460
D854,096 S *	7/2019	Muraki .....	D21/460
D854,627 S *	7/2019	Saito .....	D21/460
D854,628 S *	7/2019	Saito .....	D21/460

**FOREIGN PATENT DOCUMENTS**

JP 6431629 B1 \* 11/2018 ..... A63H 1/04

\* cited by examiner

*Primary Examiner* — Catherine A Tuttle

(74) *Attorney, Agent, or Firm* — Oliff PLC

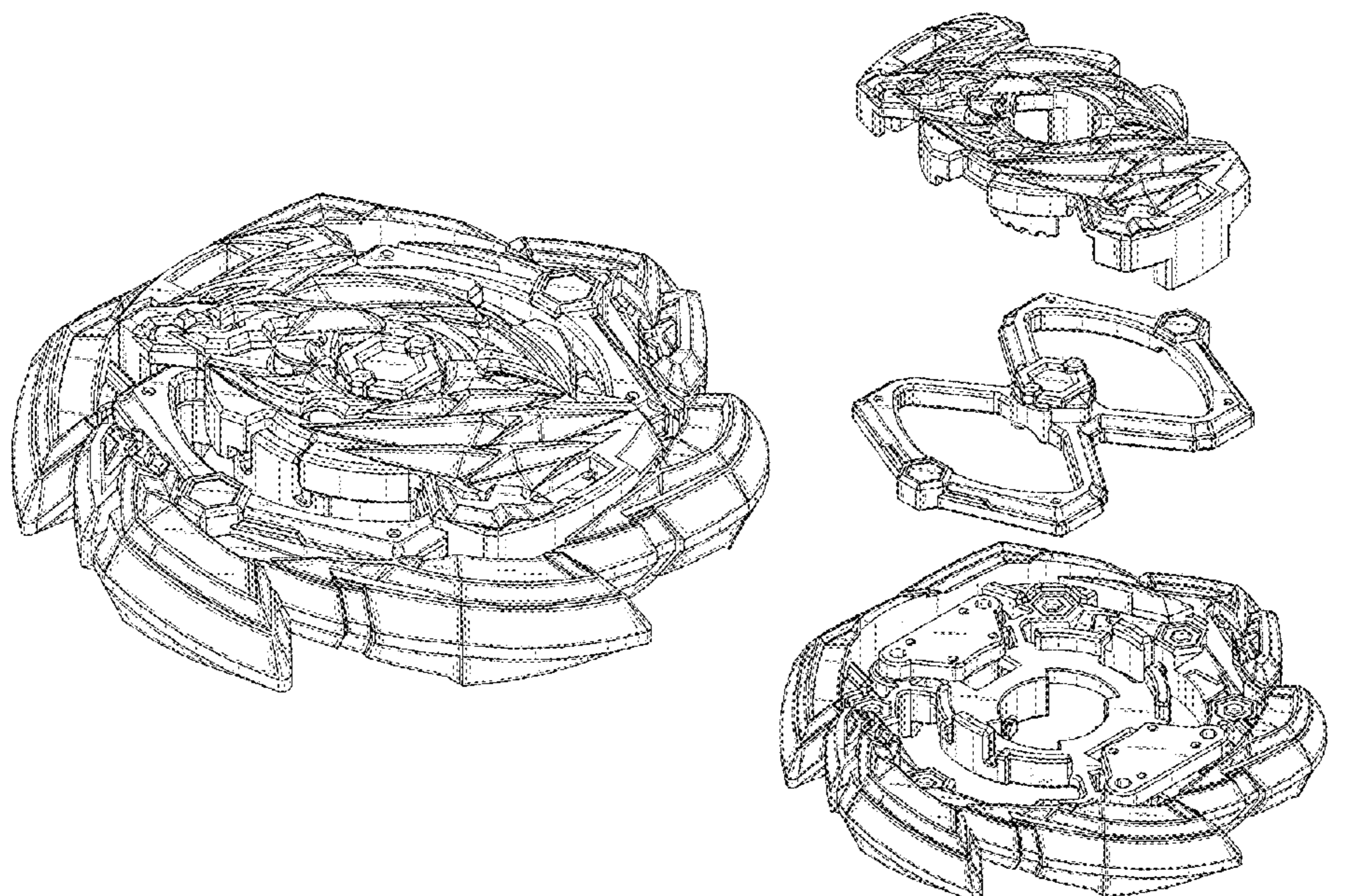
(57) **CLAIM**

The ornamental design for an accessory for spinning top toy, as shown and described.

**DESCRIPTION**

FIG. 1 is a front elevational view of the accessory for spinning top toy;  
 FIG. 2 is a rear elevational view thereof;  
 FIG. 3 is a left-side elevational view thereof;  
 FIG. 4 is a right-side elevational view thereof;  
 FIG. 5 is a top plan view thereof;  
 FIG. 6 is a bottom plan view thereof;  
 FIG. 7 is a front, top and right side perspective view thereof;  
 FIG. 8 is a disassembled front, top and right side perspective view thereof; and,  
 FIG. 9 is a disassembled rear, bottom and left side perspective view thereof.

**1 Claim, 9 Drawing Sheets**



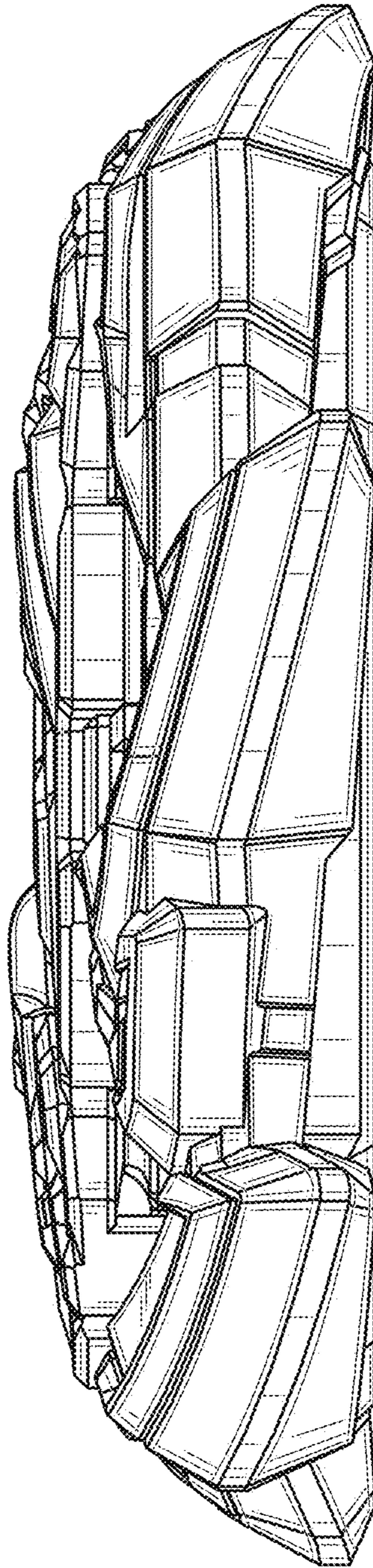


FIG.1

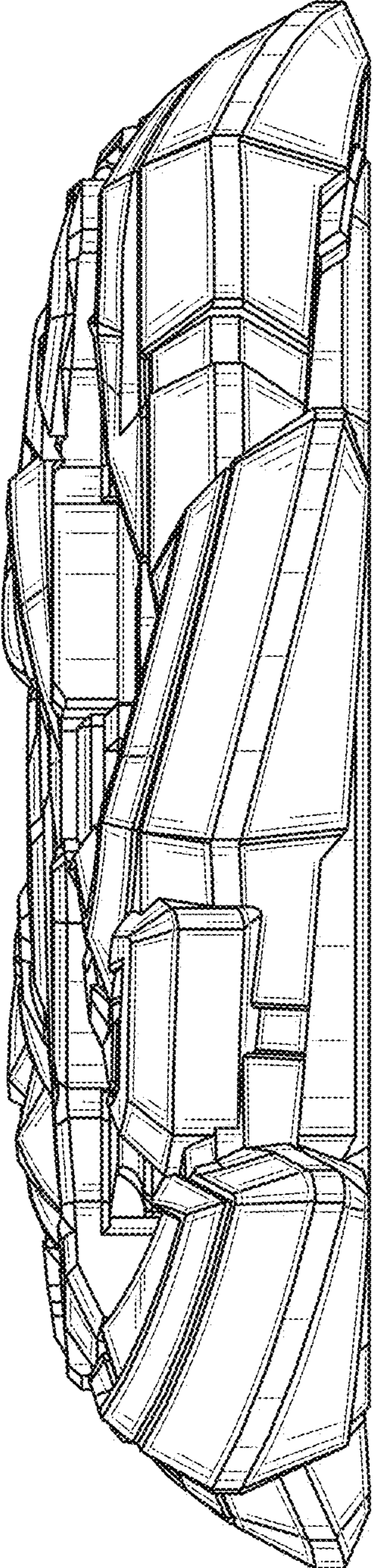


FIG.2

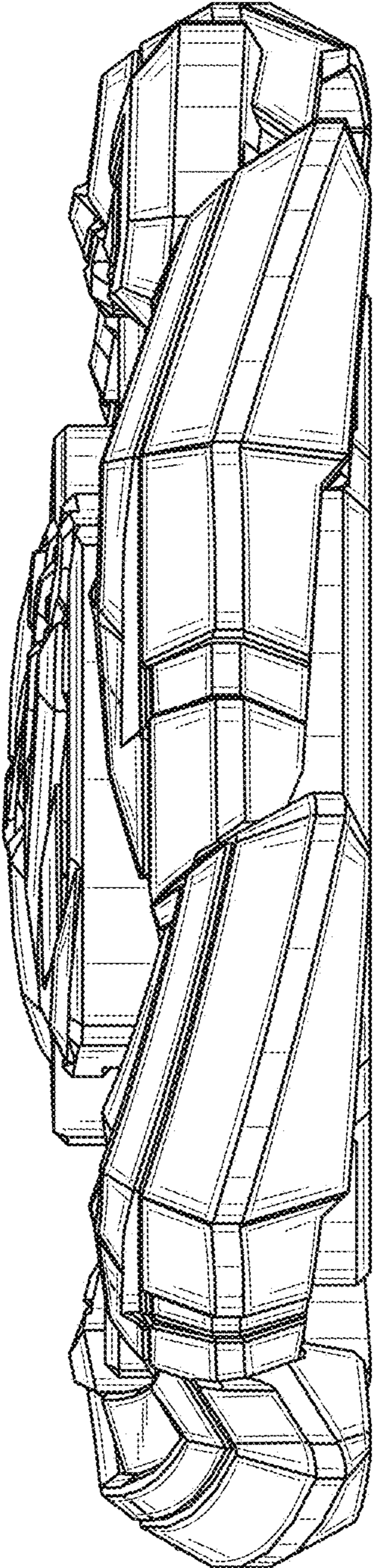


FIG.3

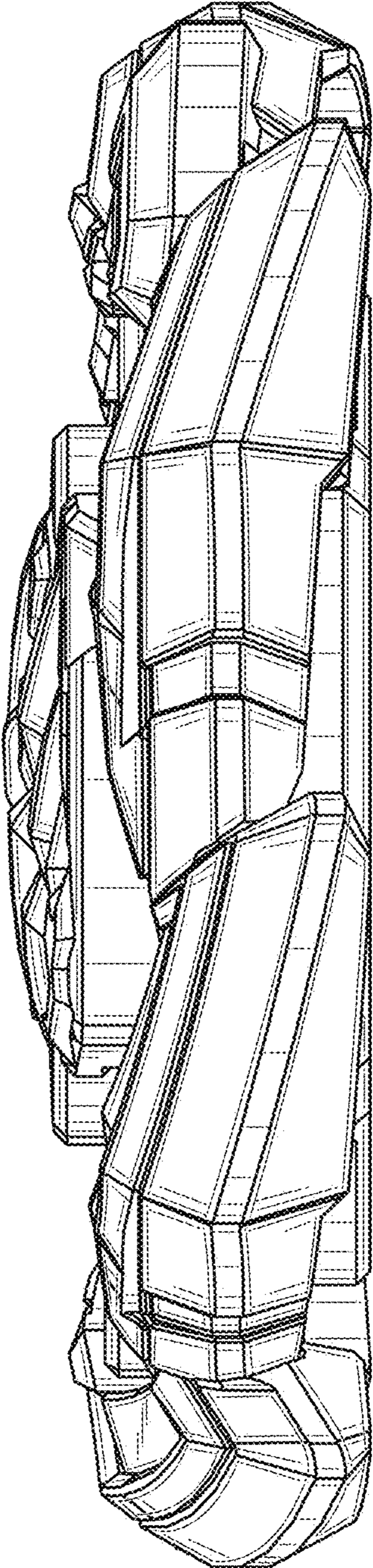


FIG.4

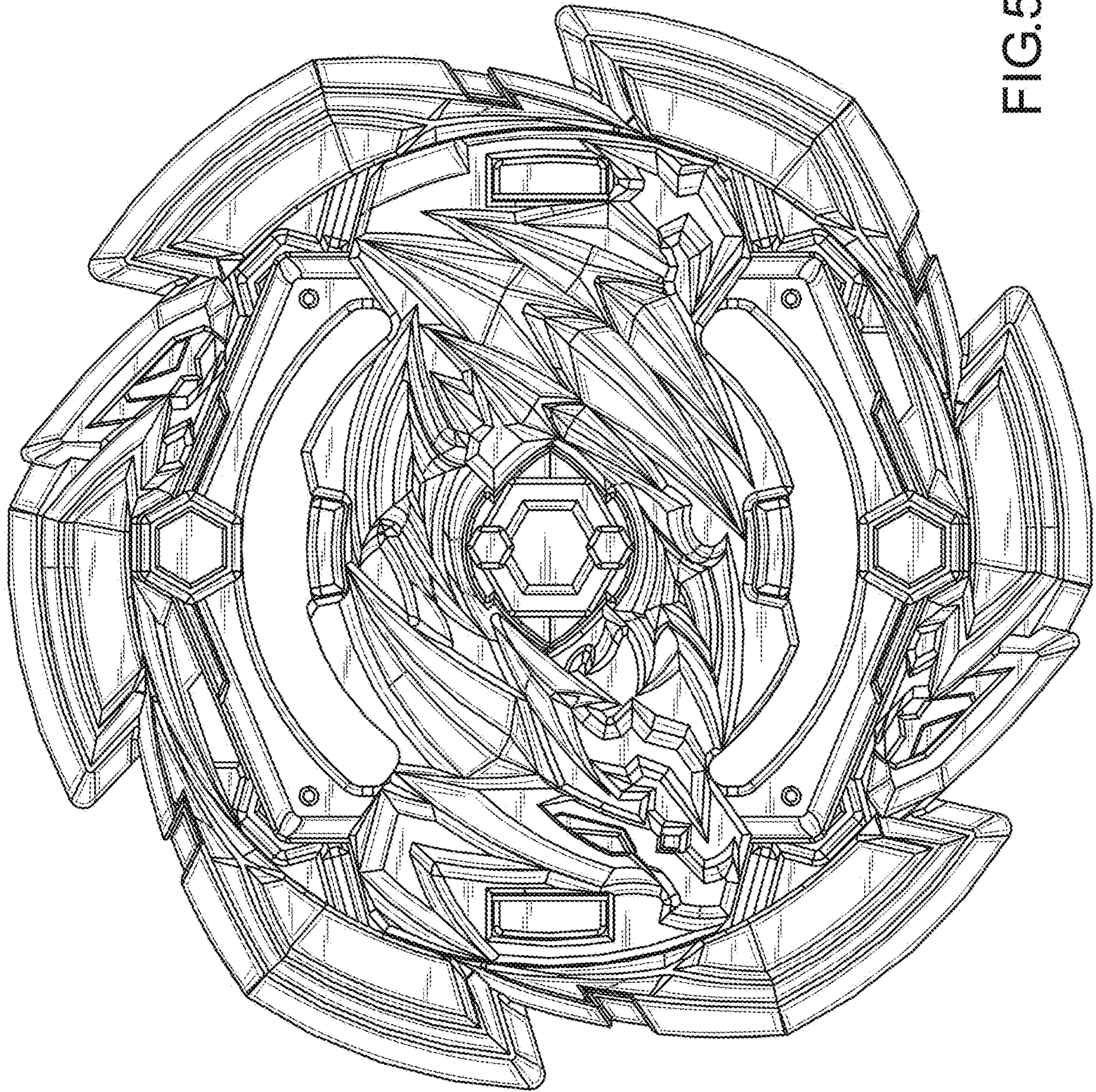


FIG. 5

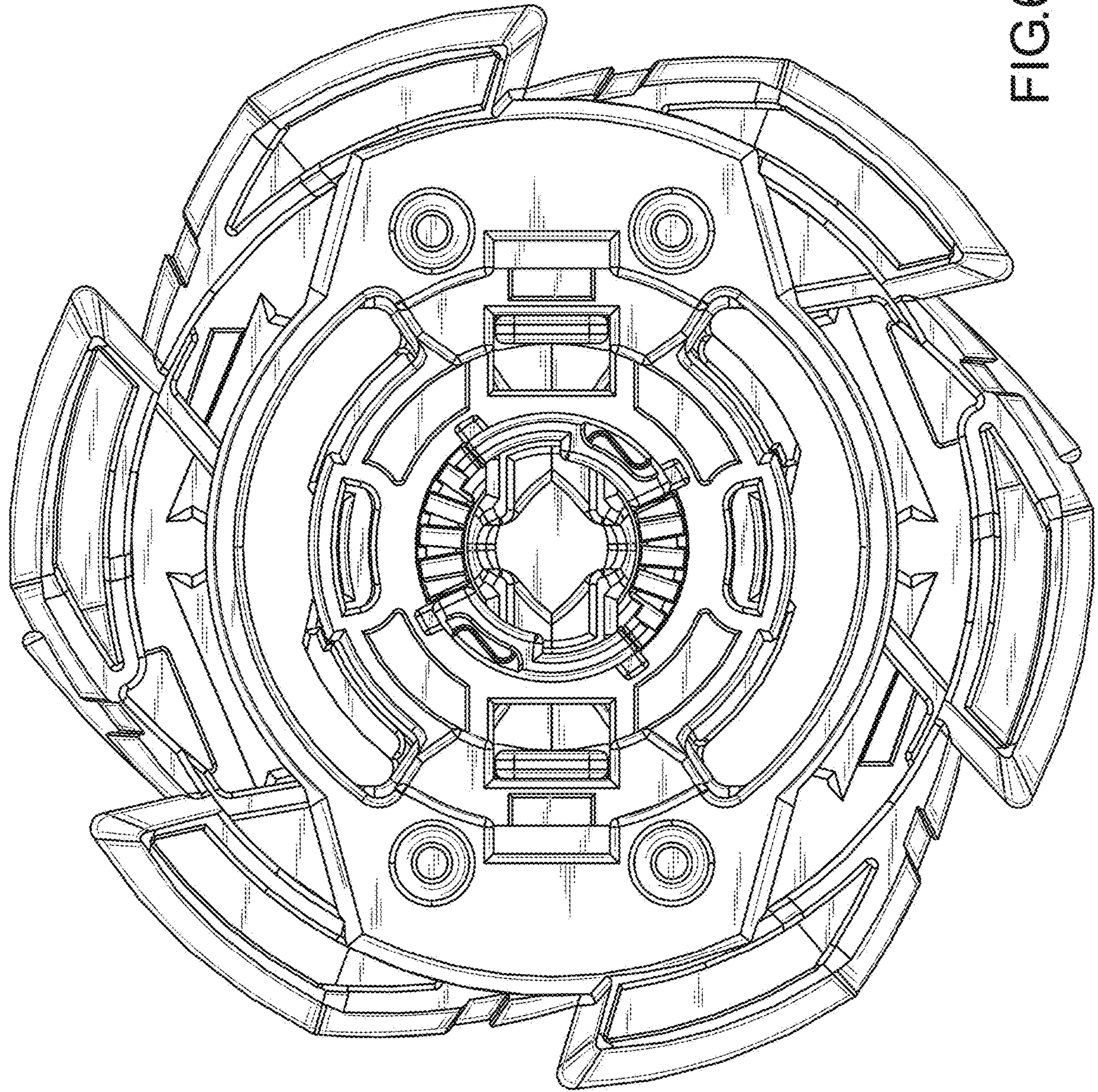


FIG.6

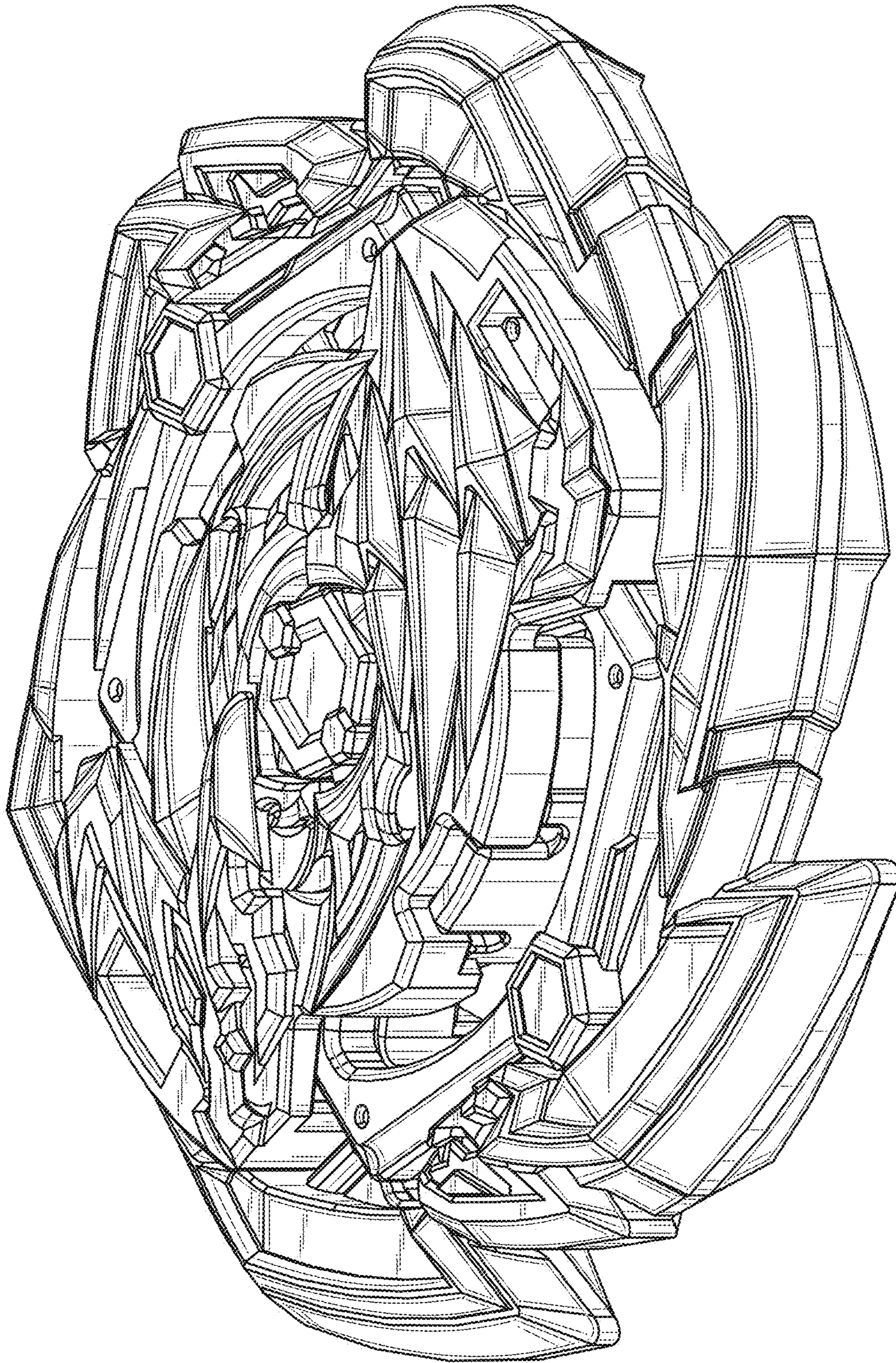


FIG.7



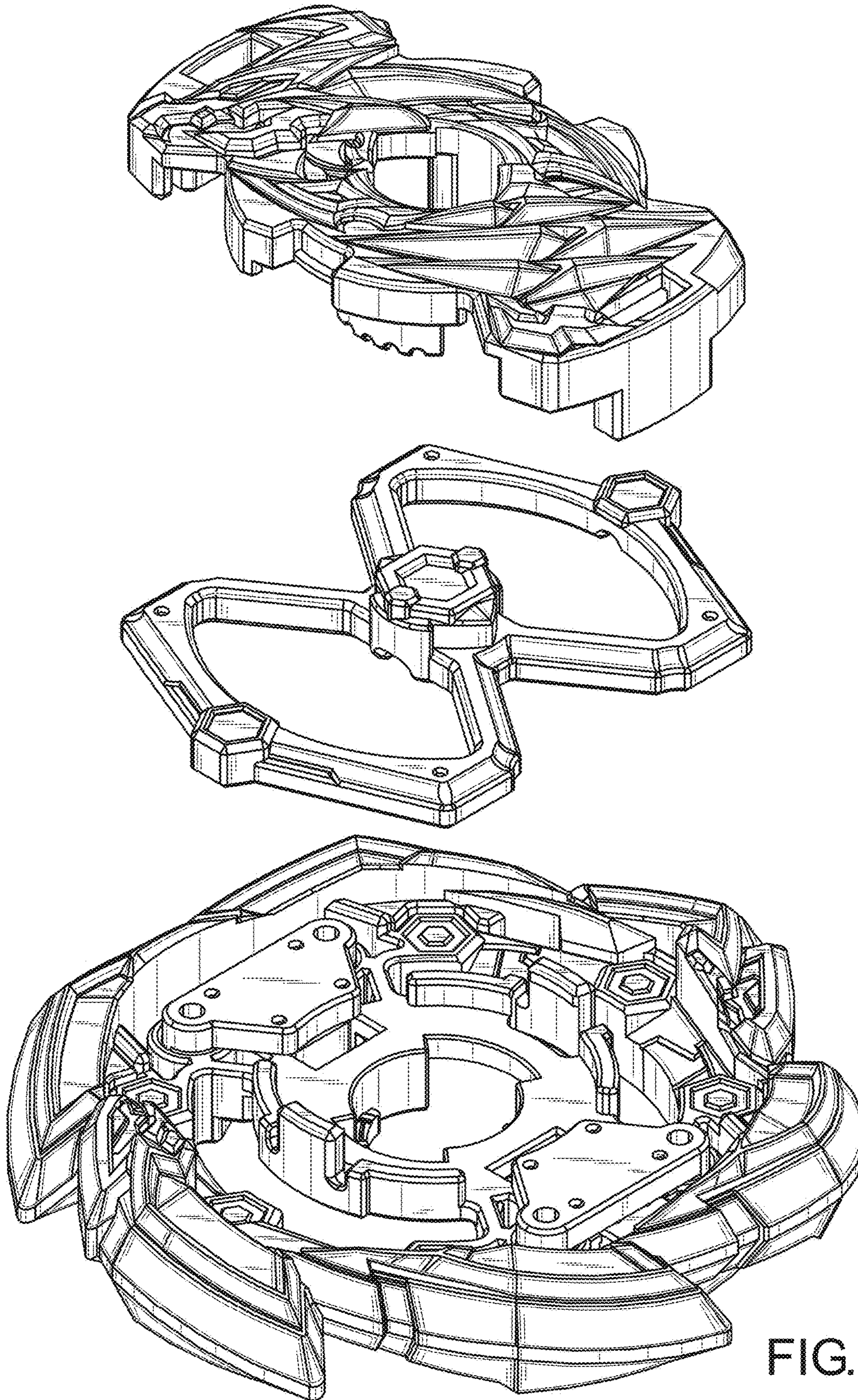


FIG.8

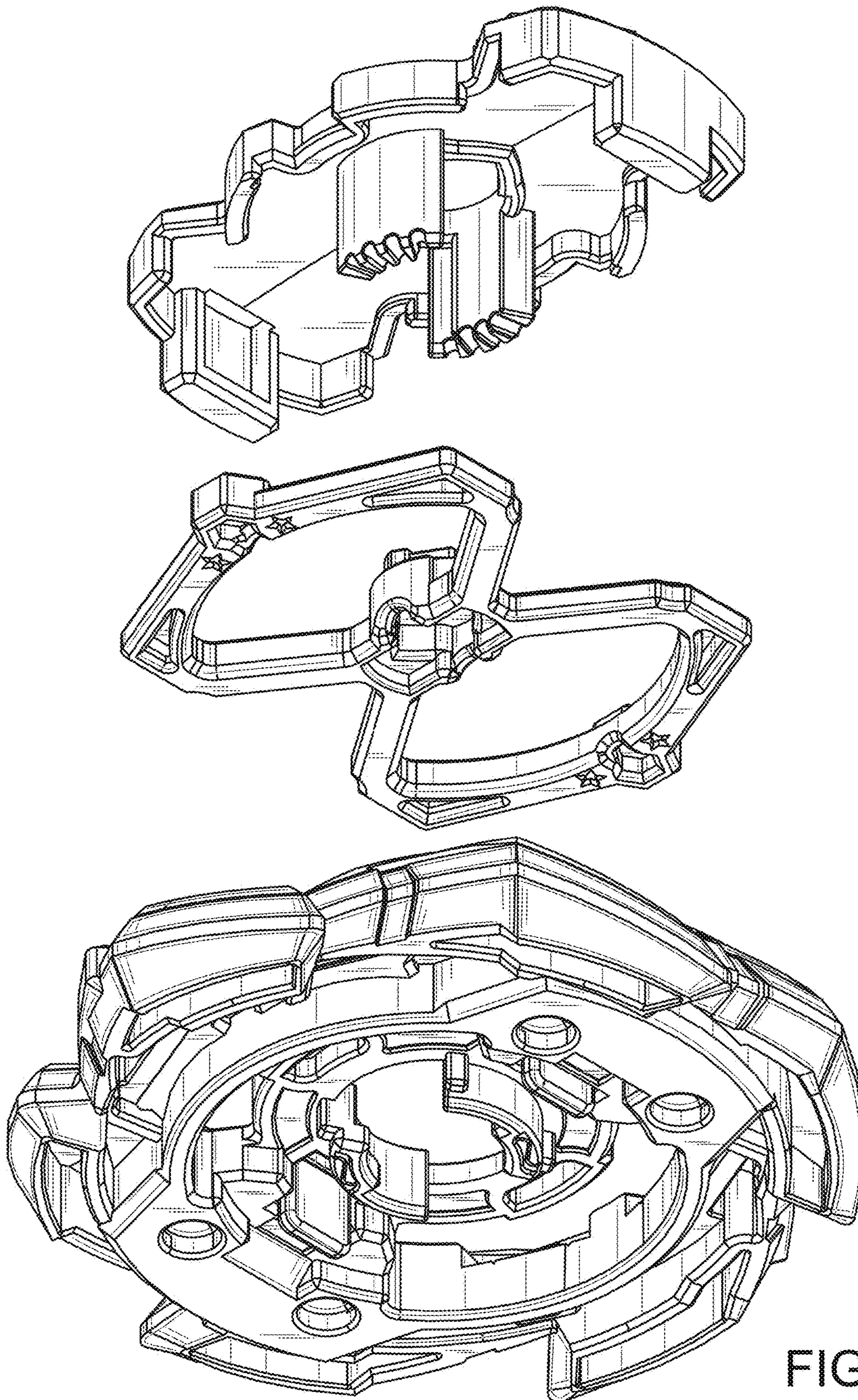


FIG.9