



US00D892939S

(12) **United States Design Patent**
Matsukawa et al.

(10) **Patent No.:** **US D892,939 S**

(45) **Date of Patent:** **** Aug. 11, 2020**

- (54) **ACCESSORY FOR SPINNING TOP TOY**
- (71) Applicant: **TOMY COMPANY, LTD.**, Tokyo (JP)
- (72) Inventors: **Hiroyuki Matsukawa**, Tokyo (JP);
Makoto Muraki, Tokyo (JP)
- (73) Assignee: **TOMY COMPANY, LTD.**, Tokyo (JP)
- (**) Term: **15 Years**

D855,119 S *	7/2019	Saito	D21/460
D857,108 S *	8/2019	Horikoshi	D21/460
D862,606 S *	10/2019	Horikoshi	D21/460
D862,608 S *	10/2019	Yamasaki	D21/460
D873,351 S *	1/2020	Horikoshi	D21/460
D875,842 S *	2/2020	Nakajima	D21/460
D875,843 S *	2/2020	Muraki	D21/460
D875,844 S *	2/2020	Horikoshi	D21/460
D876,554 S *	2/2020	Muraki	D21/460

- (21) Appl. No.: **29/687,091**
- (22) Filed: **Apr. 10, 2019**

(30) **Foreign Application Priority Data**

Oct. 10, 2018 (JP) 2018-022175

- (51) **LOC (12) Cl.** **21-01**
- (52) **U.S. Cl.**
USPC **D21/460**
- (58) **Field of Classification Search**
USPC D21/455-464; 446/236-266
CPC A63H 1/00-32
See application file for complete search history.

(56) **References Cited**

U.S. PATENT DOCUMENTS

D820,919 S *	6/2018	Horikoshi	D21/460
D834,103 S *	11/2018	Horikoshi	D21/460
D839,967 S *	2/2019	Horikoshi	D21/460
D841,098 S *	2/2019	Narita	D21/460
D841,099 S *	2/2019	Matsukawa	D21/460
D844,069 S *	3/2019	Horikawa	D21/460
D849,849 S *	5/2019	Muraki	D21/460
D851,709 S *	6/2019	Muraki	D21/460
D854,096 S *	7/2019	Muraki	D21/460
D854,628 S *	7/2019	Saito	D21/460
D855,118 S *	7/2019	Saito	D21/460

FOREIGN PATENT DOCUMENTS

JP	3160657 U *	7/2010	A63H 1/00
JP	6431629 B1 *	11/2018	A63H 1/04
JP	6431630 B1 *	11/2018		

* cited by examiner

Primary Examiner — Catherine A Tuttle
(74) *Attorney, Agent, or Firm* — Oliff PLC

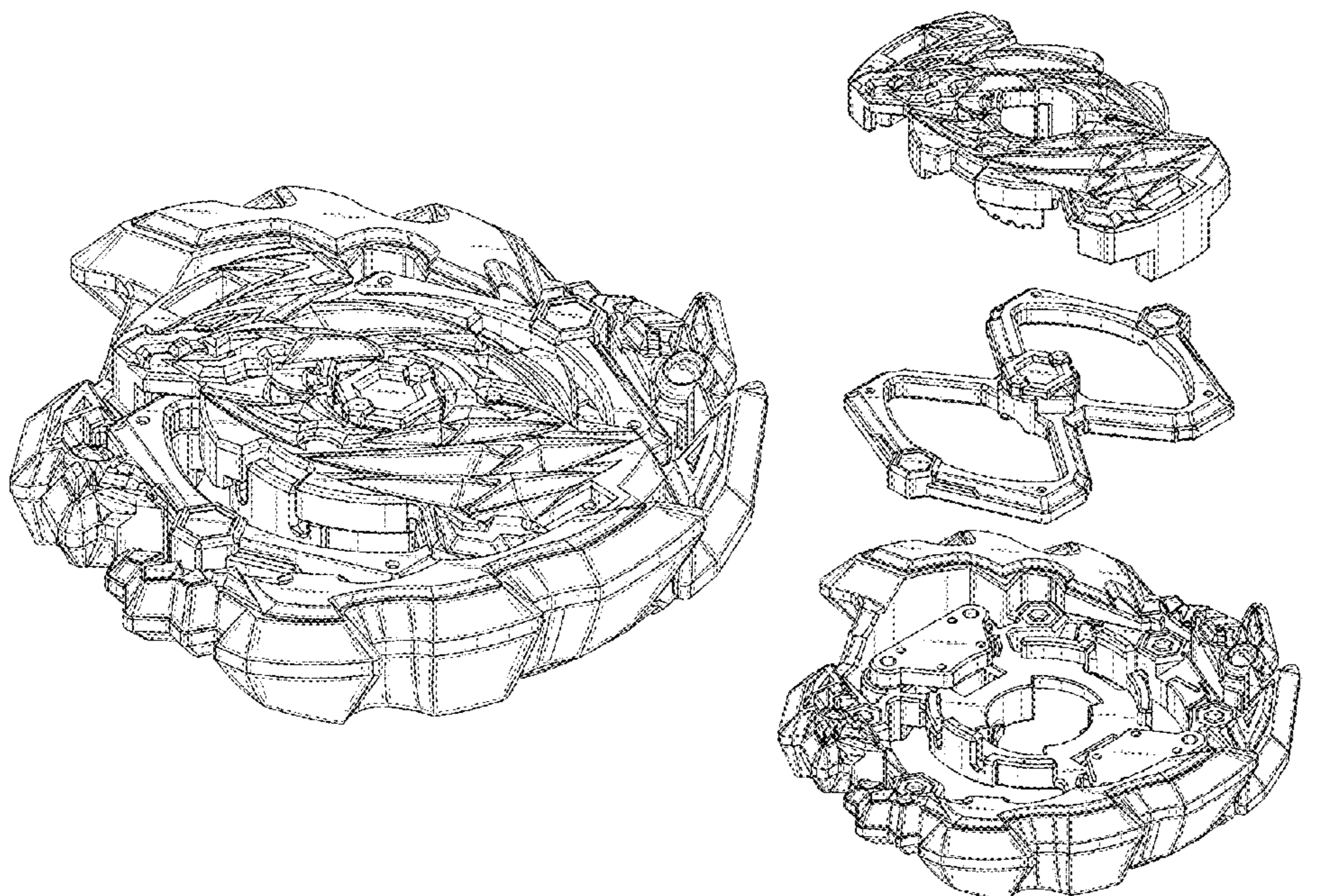
(57) **CLAIM**

The ornamental design for an accessory for spinning top toy, as shown and described.

DESCRIPTION

FIG. 1 is a front elevational view of the accessory for spinning top toy;
 FIG. 2 is a rear elevational view thereof;
 FIG. 3 is a left-side elevational view thereof;
 FIG. 4 is a right-side elevational view thereof;
 FIG. 5 is a top plan view thereof;
 FIG. 6 is a bottom plan view thereof;
 FIG. 7 is a front, top and right side perspective view thereof;
 FIG. 8 is a disassembled front, top and right side perspective view thereof; and,
 FIG. 9 is a disassembled rear, bottom and left side perspective view thereof.

1 Claim, 9 Drawing Sheets



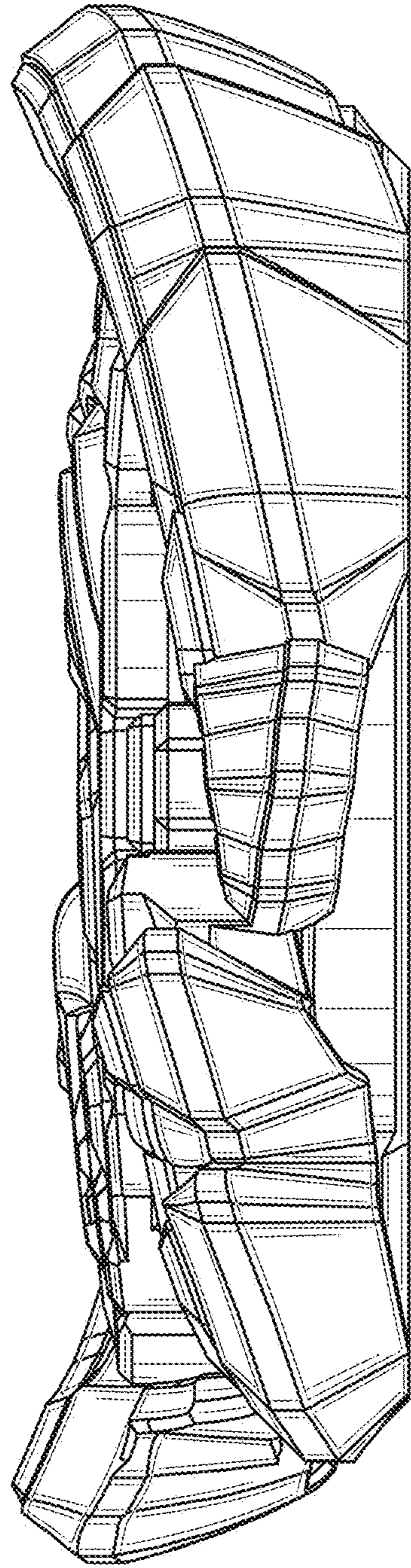


FIG.1

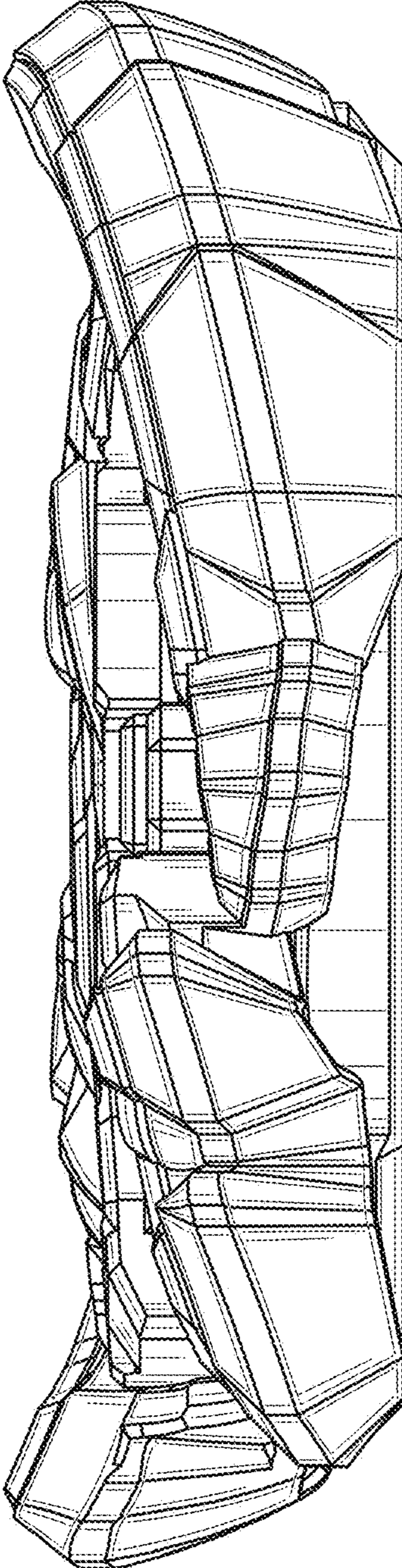


FIG.2

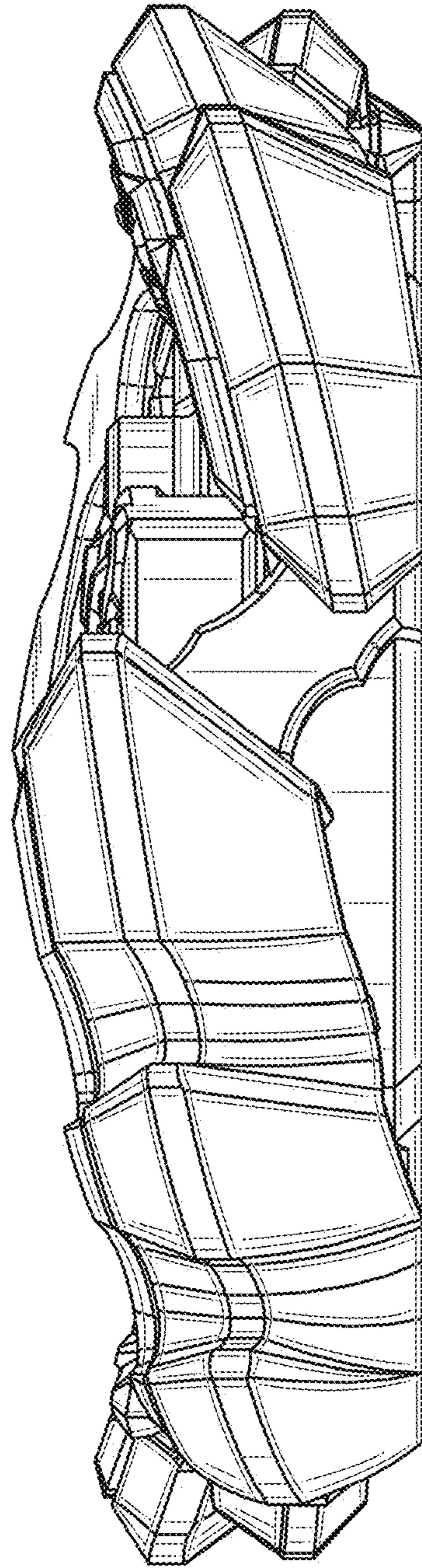


FIG.3

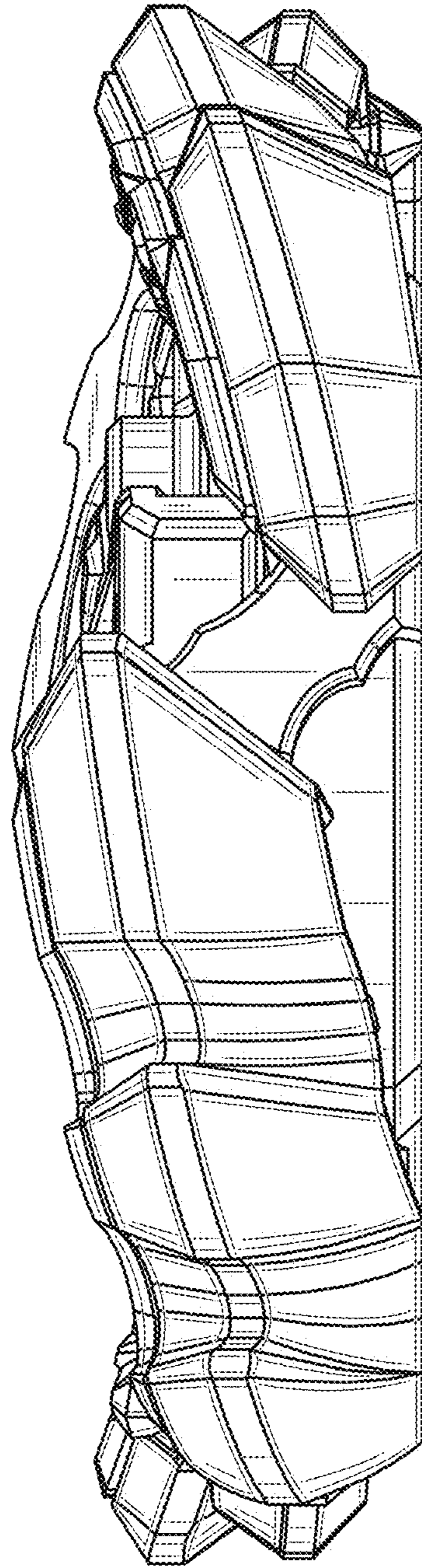


FIG.4

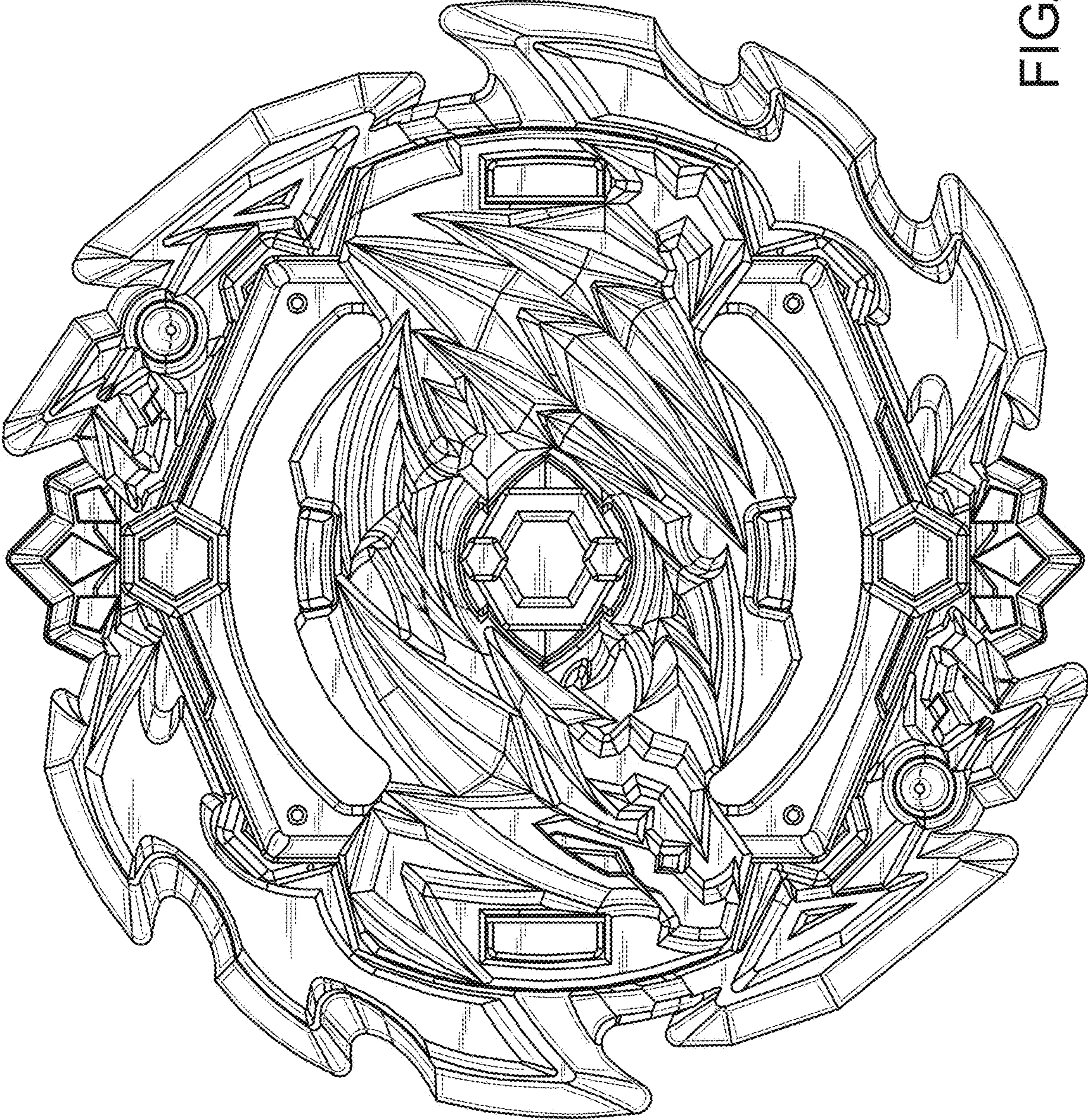


FIG.5

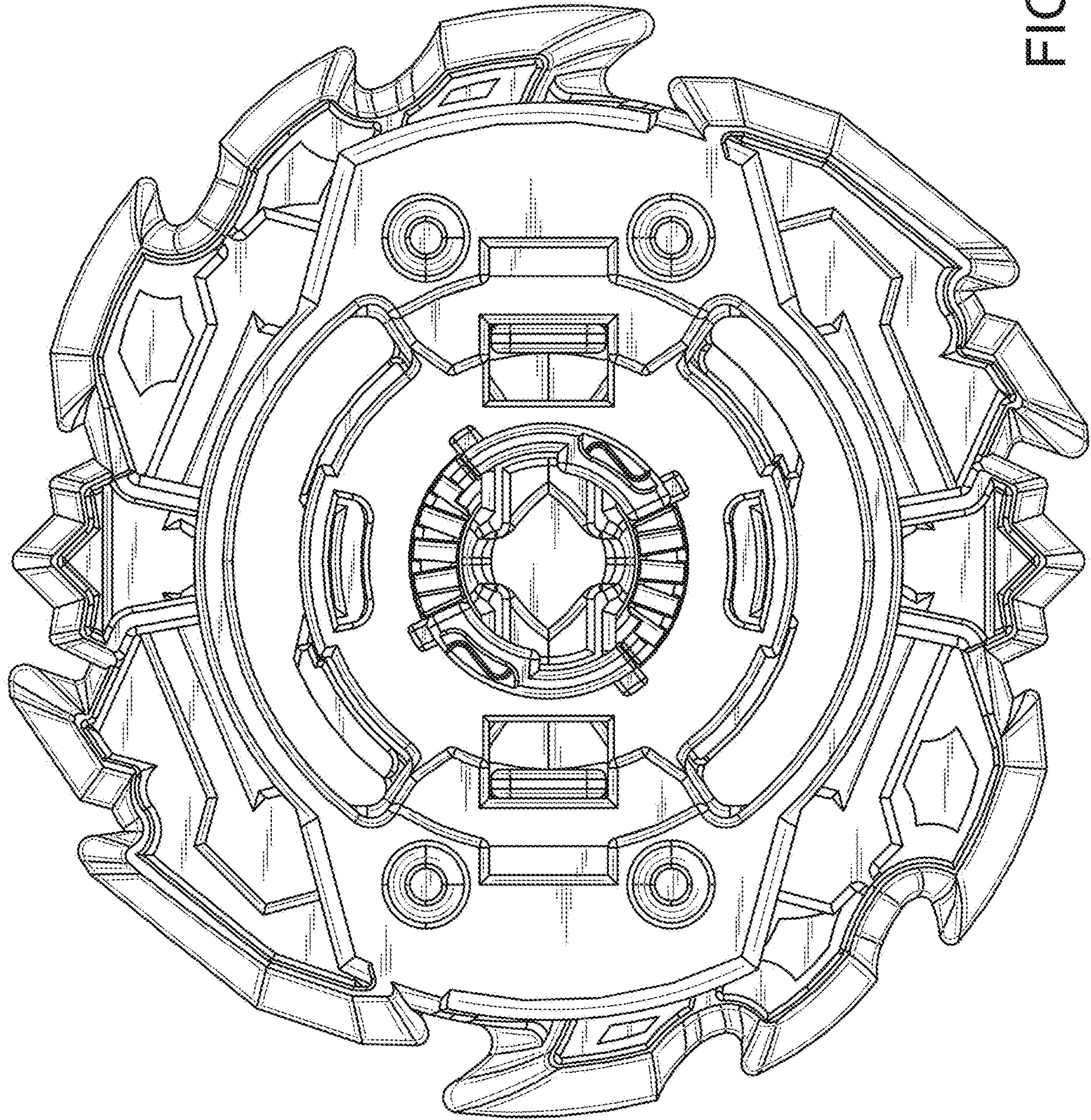


FIG.6

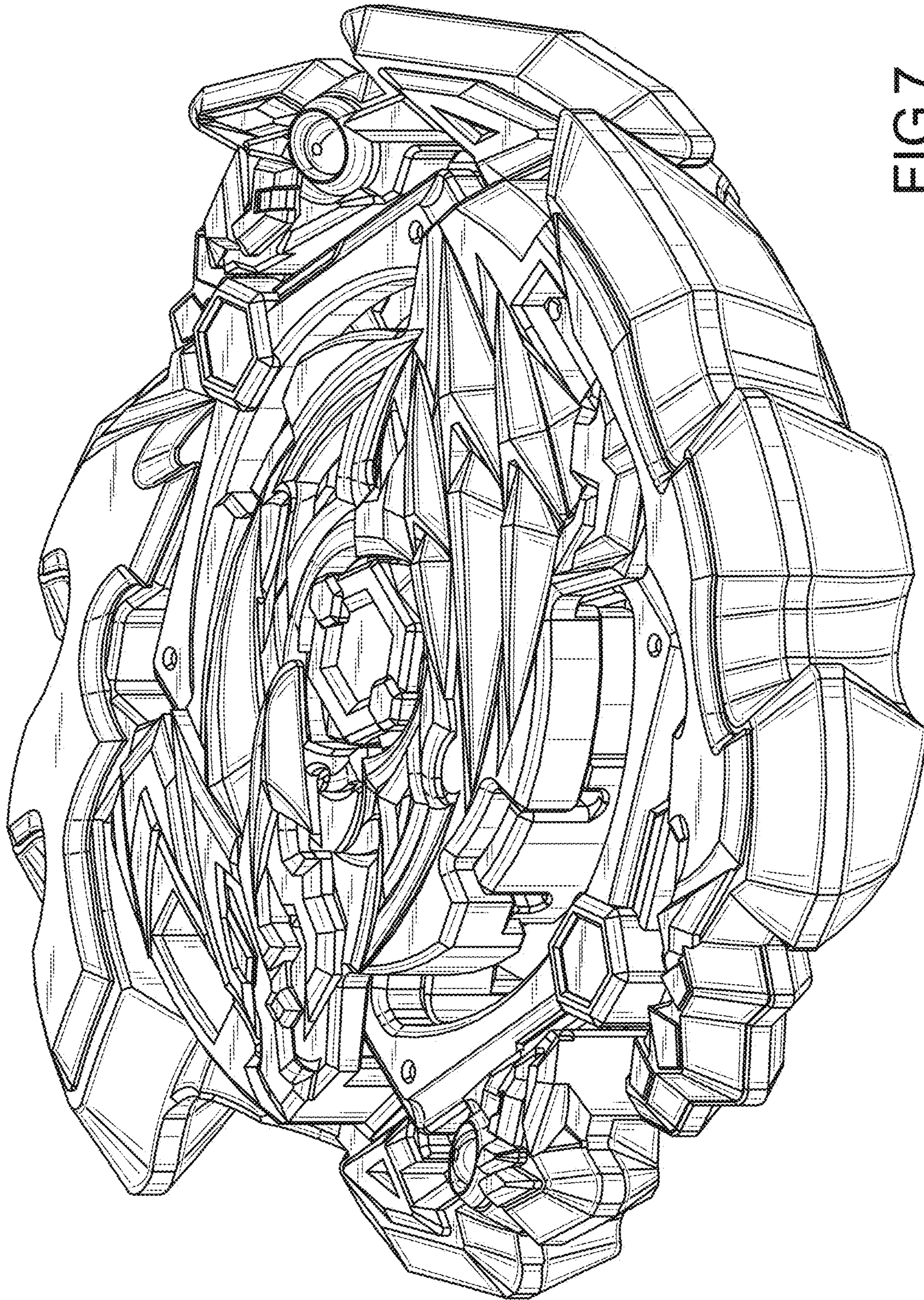


FIG.7

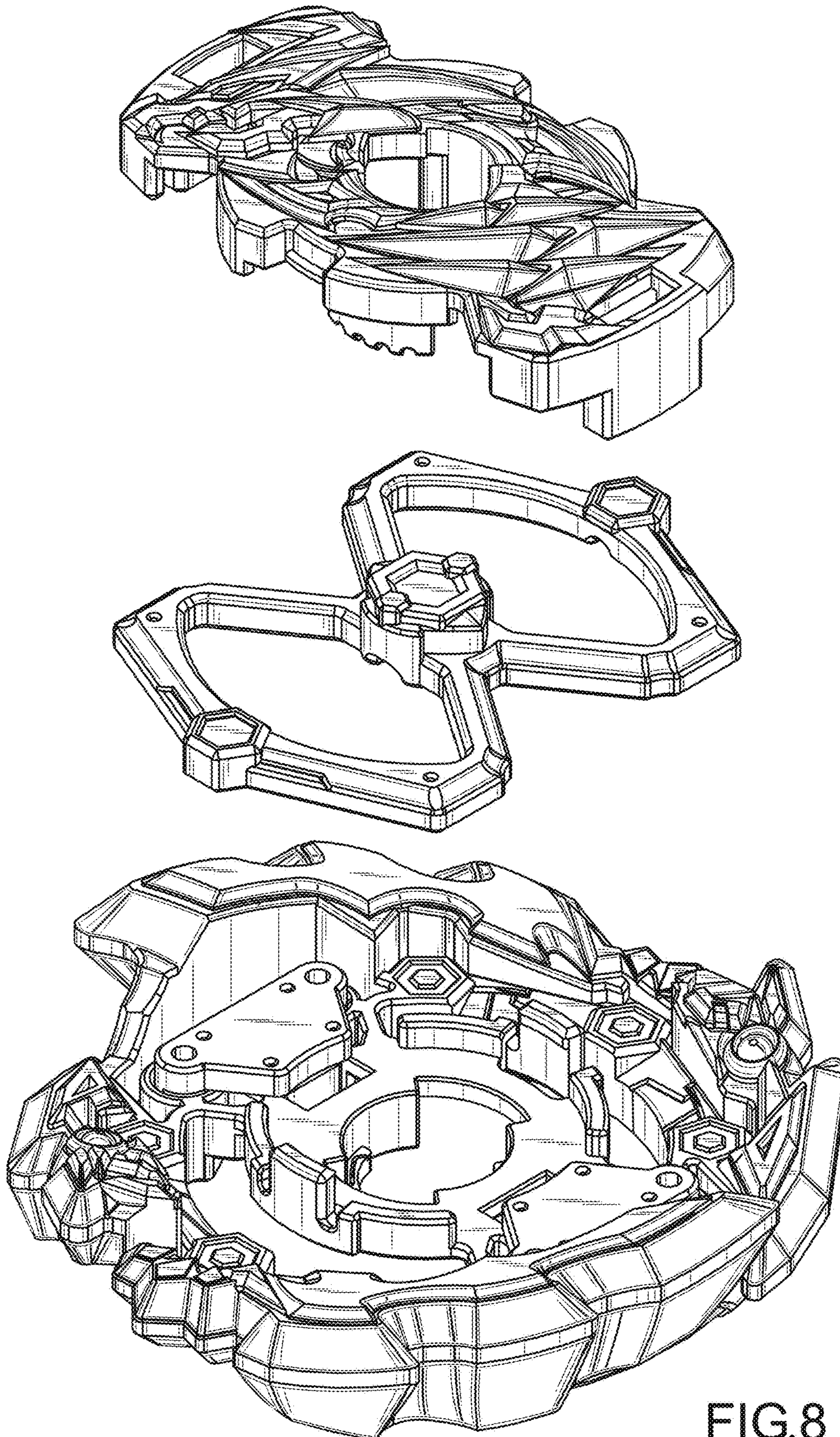


FIG.8

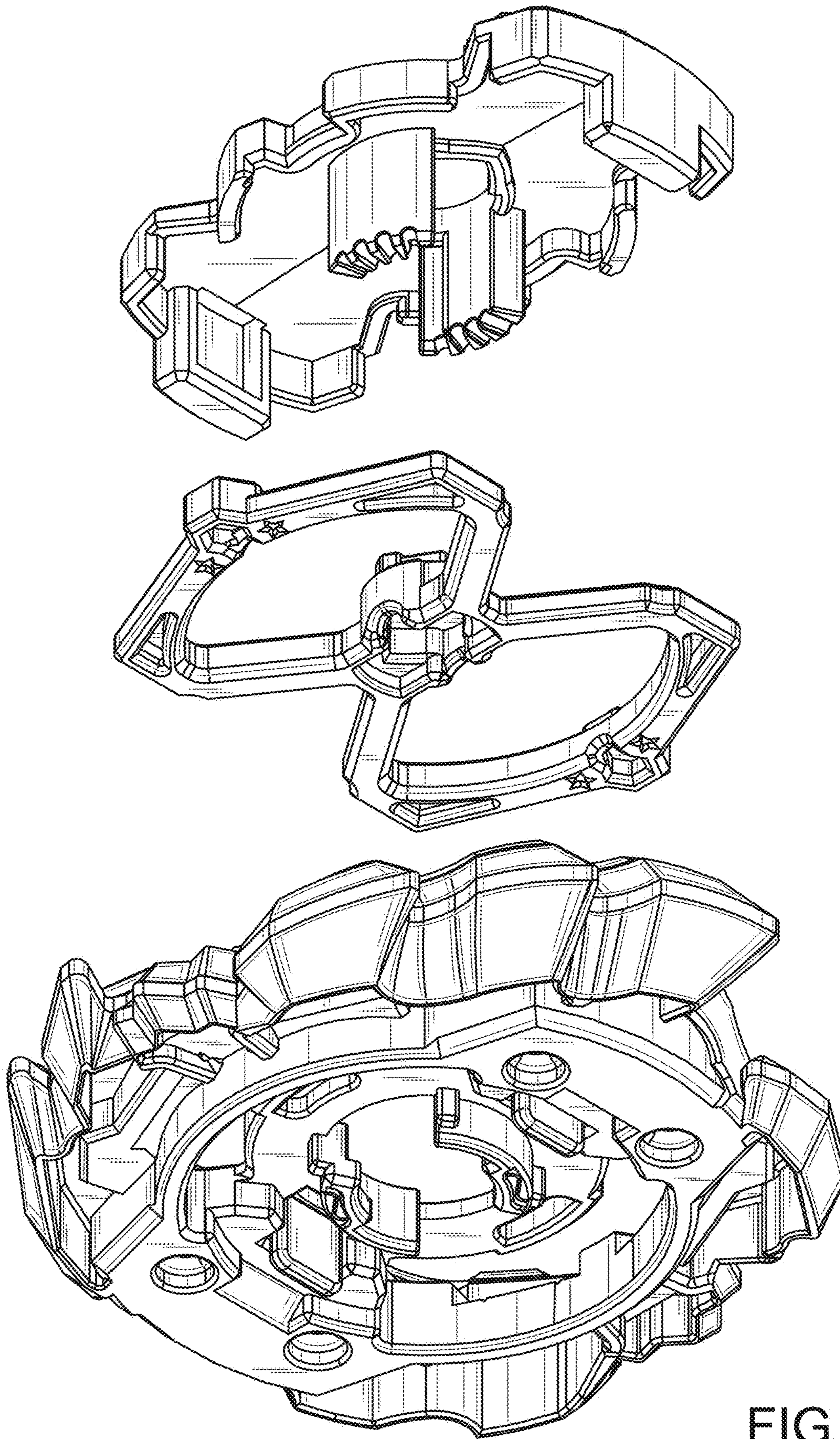


FIG.9