



US00D892932S

(12) **United States Design Patent** (10) **Patent No.:** **US D892,932 S**
Zhao (45) **Date of Patent:** **** Aug. 11, 2020**

(54) **PEN**
(71) Applicant: **Chongbiao Zhao**, Zhejiang (CN)
(72) Inventor: **Chongbiao Zhao**, Zhejiang (CN)
(**) Term: **15 Years**
(21) Appl. No.: **29/670,017**
(22) Filed: **Nov. 13, 2018**

(30) **Foreign Application Priority Data**

Jul. 11, 2018 (CN) 2018 3 0373187

(51) **LOC (12) Cl.** **19-06**

(52) **U.S. Cl.**
USPC **D19/169; D19/933**

(58) **Field of Classification Search**
USPC D19/115-204; D14/411; D8/107
CPC . B43K 5/005; B43K 7/12; B43K 8/04; B43K
8/06; B43K 19/00; B43K 19/02; B43K
19/14; B43K 21/006; B43K 21/06
See application file for complete search history.

(56) **References Cited**

U.S. PATENT DOCUMENTS

- D76,181 S * 8/1928 Deli D19/163
- 2,488,179 A * 11/1949 Engel, Jr. B43K 21/006
401/54
- D247,501 S * 3/1978 Malamoud D19/169
- D249,888 S * 10/1978 Barnes D19/168
- D253,060 S * 10/1979 Itoh D19/167
- D254,912 S * 5/1980 Ito D19/164
- D259,792 S * 7/1981 Itoh D19/169
- D261,010 S * 9/1981 Itoh D19/168
- D266,769 S * 11/1982 Camps D19/169
- D267,655 S * 1/1983 Verona D19/169
- D274,339 S * 6/1984 Malamoud D19/195
- D275,577 S * 9/1984 Hechter D19/168
- D286,547 S * 11/1986 Koizumi D19/169

- D288,450 S * 2/1987 Regnault D19/168
- D305,551 S * 1/1990 Oka D19/195
- D313,245 S * 12/1990 Iwase D19/169
- D323,529 S * 1/1992 Rousseau D19/168
- D357,276 S * 4/1995 Bruhn D19/168
- D367,673 S * 3/1996 Compte D19/164
- D376,817 S * 12/1996 Boix Gacia D19/170
- D404,426 S * 1/1999 Takanashi D19/169
- D423,049 S * 4/2000 Kohlhase D19/169
- D449,649 S * 10/2001 Takanashi D19/164
- D452,527 S * 12/2001 Maki D19/166
- D462,386 S * 9/2002 Iwase D19/169
- D467,970 S * 12/2002 Pellissa Beneyto D19/169
- D566,175 S * 4/2008 Qiu D19/121
- D628,636 S * 12/2010 Wang D19/169
- D662,986 S * 7/2012 Liu D19/169
- D686,662 S * 7/2013 Kermoal D19/186
- D693,878 S * 11/2013 Dalancourt D19/186
- D698,864 S * 2/2014 Watase D19/164
- D704,772 S * 5/2014 Jin D19/169

(Continued)

Primary Examiner — Elizabeth A. Albert
(74) *Attorney, Agent, or Firm* — Muncy, Geissler, Olds & Lowe, P.C.

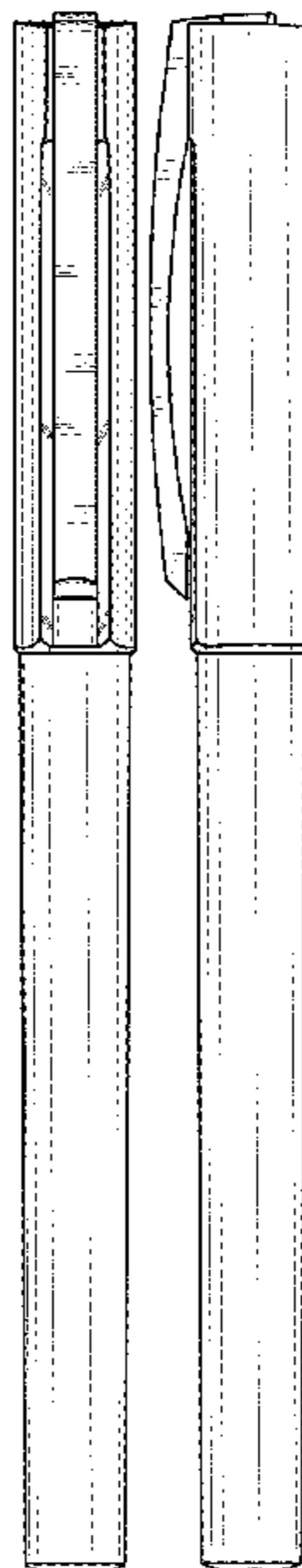
(57) **CLAIM**

The ornamental design for a pen, as shown and described.

DESCRIPTION

FIG. 1 is a perspective view of a pen showing my new design;
FIG. 2 is a front view thereof
FIG. 3 is a back view view thereof
FIG. 4 is a left side view thereof;
FIG. 5 is a right side view thereof;
FIG. 6 is an enlarged top plan view thereof;
FIG. 7 is an enlarged bottom plan view thereof; and,
FIG. 8 is an enlarged detail view of the pen point, shown without the rest of the pen for convenience.

1 Claim, 7 Drawing Sheets



(56)

References Cited

U.S. PATENT DOCUMENTS

D724,668 S *	3/2015	Bo	D19/170
D867,454 S *	11/2019	Zhang	D19/164
D868,892 S *	12/2019	Allen	D19/195
D873,345 S *	1/2020	Morrison	D19/164

* cited by examiner

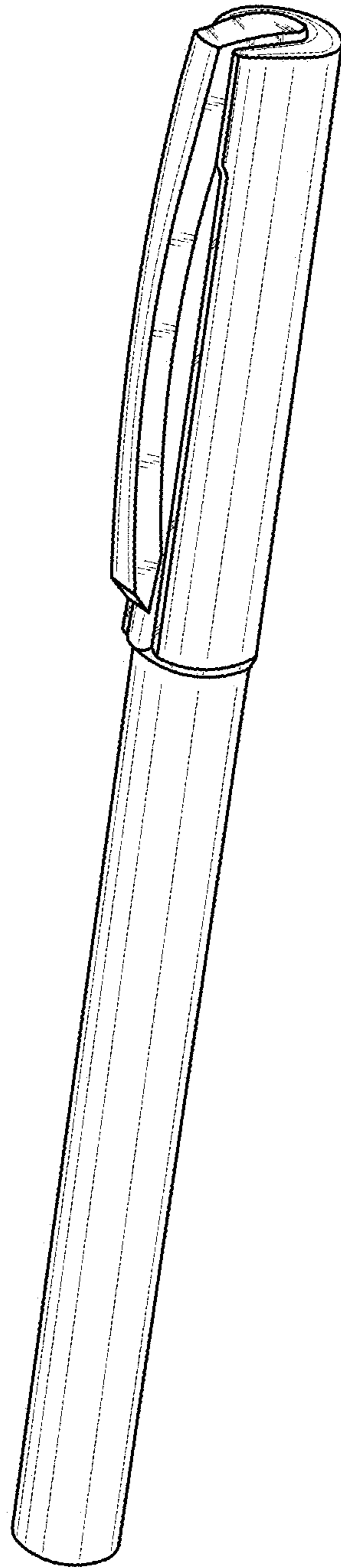


FIG. 1

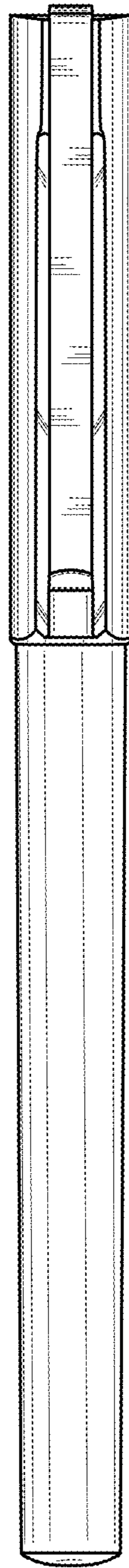


FIG. 2

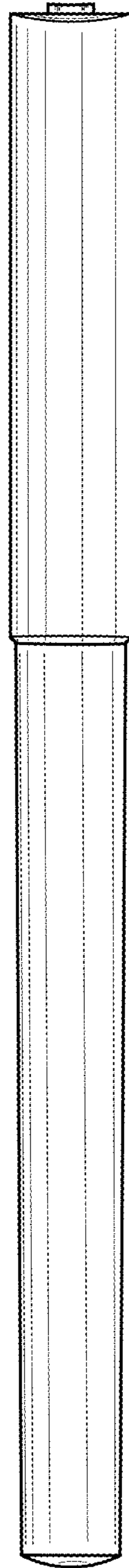


FIG. 3

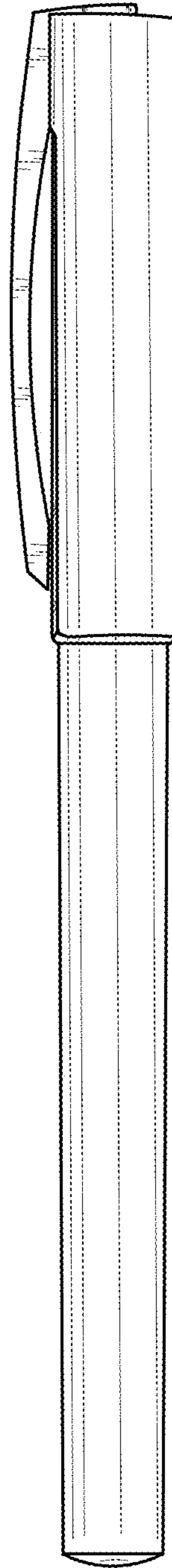


FIG. 4

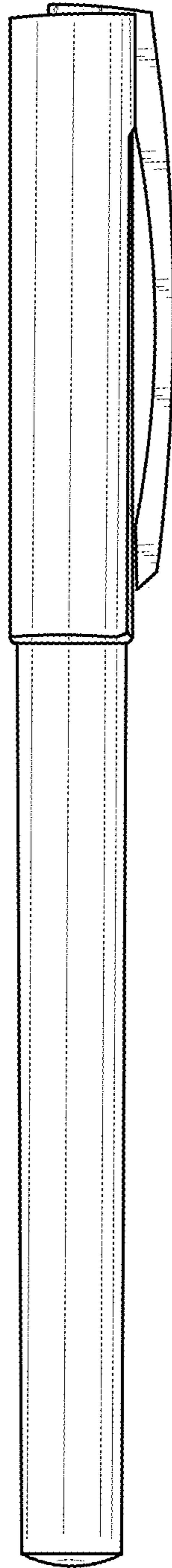


FIG. 5

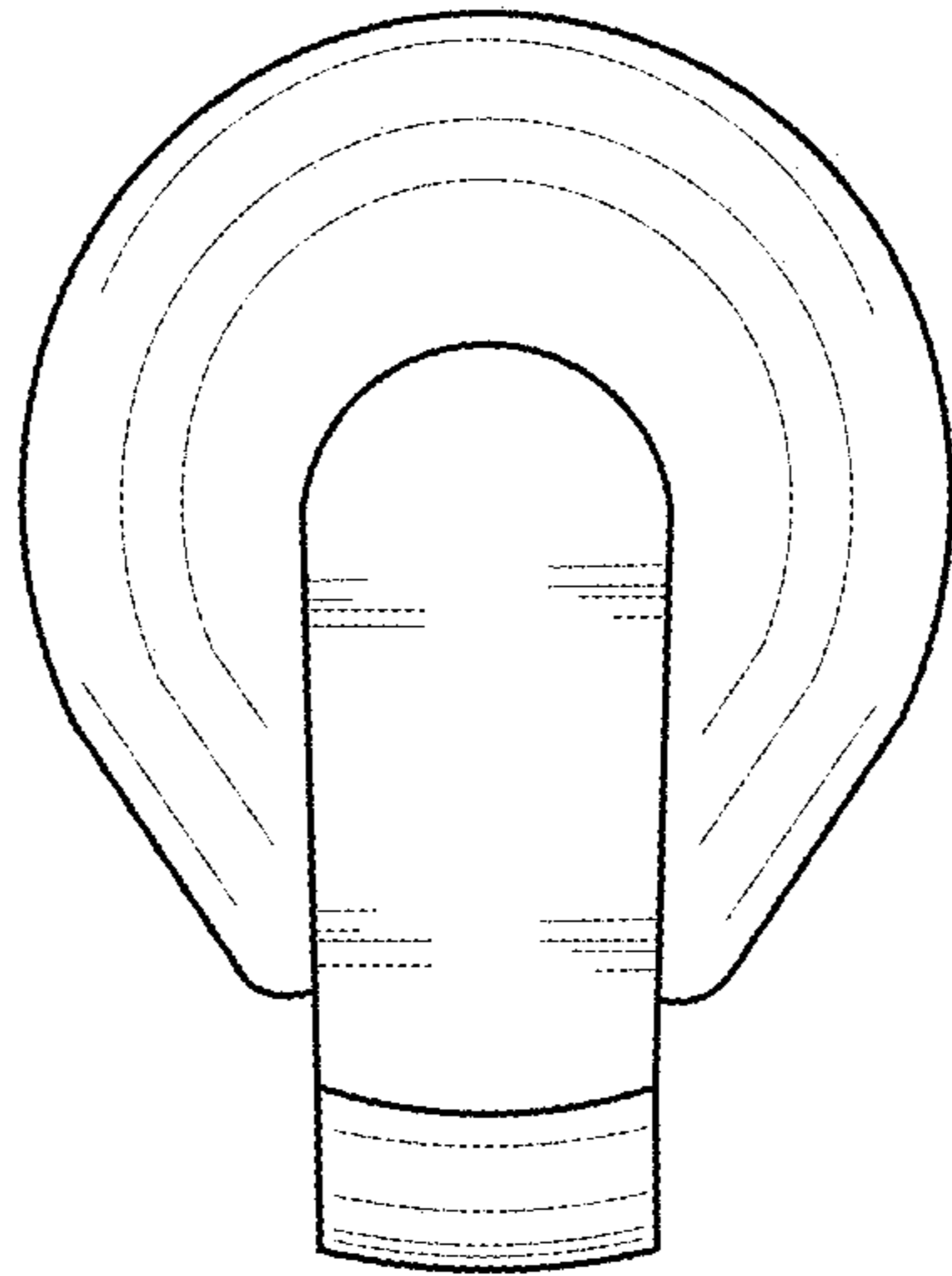


FIG. 6

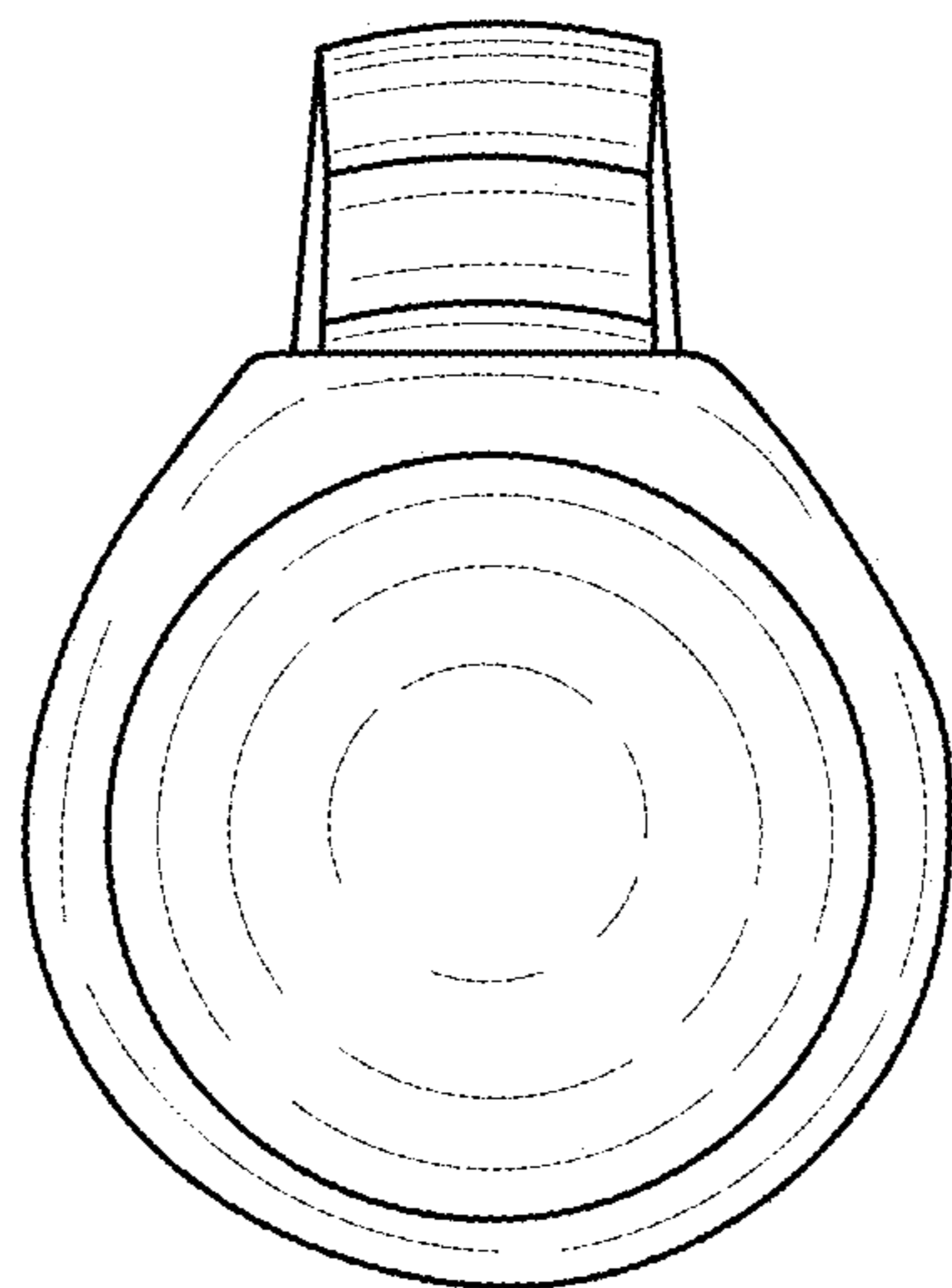


FIG. 7

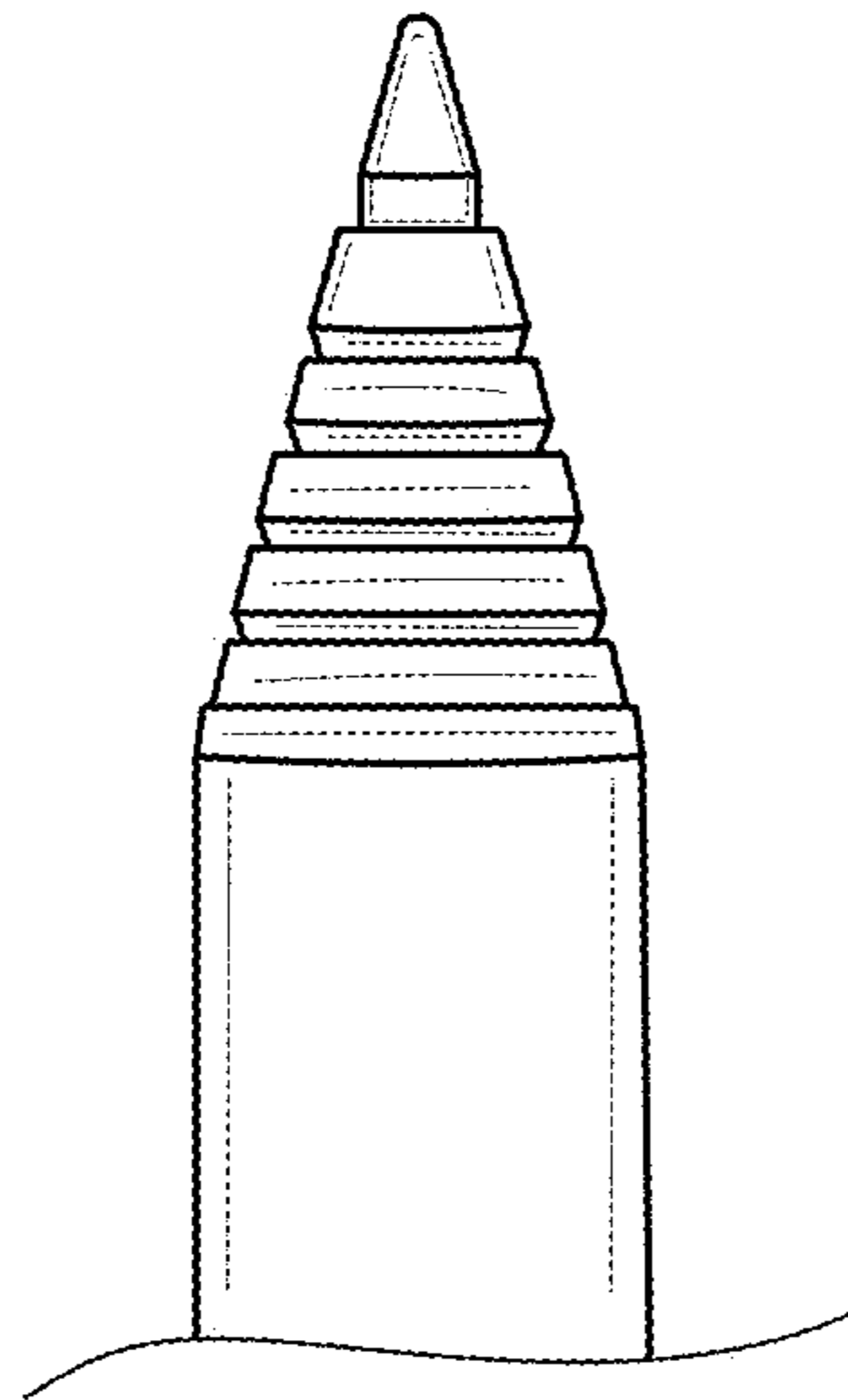


FIG. 8