

US00D892931S

(12) **United States Design Patent**  
**Feng et al.**

(10) **Patent No.: US D892,931 S**  
(45) **Date of Patent: \*\* Aug. 11, 2020**

(54) **TEACHING MODEL**

(71) Applicant: **HANGZHOU ZT MODEL CO., LTD,**  
Hangzhou, Zhejiang (CN)

(72) Inventors: **Rui Feng,** Zhejiang (CN); **Shaohua Wang,** Gansu (CN); **He Jiang,** Zhejiang (CN); **Jie Pan,** Zhejiang (CN)

(73) Assignee: **HANGZHOU ZT MODEL CO., LTD,**  
Hangzhou (CN)

(\*\*) Term: **15 Years**

(21) Appl. No.: **29/668,600**

(22) Filed: **Oct. 31, 2018**

(51) **LOC (12) Cl. .... 19-07**

(52) **U.S. Cl.**  
USPC ..... **D19/62**

(58) **Field of Classification Search**  
USPC ..... D19/59-64; D21/594, 585; D11/160  
CPC . G09B 19/00; G09B 1/06; G09B 1/08; G09B 1/10; G09B 1/12; G09B 1/14; G09B 19/10; G09B 19/22; G09B 19/24; A63H 33/00; A63H 33/02; A63H 33/04; A63H 33/06; A63H 33/08; A63H 33/10; A63H 33/12; A63H 33/30; A63H 33/42  
See application file for complete search history.

(56) **References Cited**

**U.S. PATENT DOCUMENTS**

D98,713 S \* 2/1936 Briner ..... D11/160  
D183,389 S \* 8/1958 Gaston ..... D21/594  
2,963,796 A \* 12/1960 Zalkind ..... A63F 9/08  
434/259  
D244,760 S \* 6/1977 Phillips ..... D19/62  
D254,224 S \* 2/1980 Papas ..... D21/659

(Continued)

**FOREIGN PATENT DOCUMENTS**

CN 304695335 \* 6/2018  
JP 2006231461 A \* 9/2006 ..... B25J 5/00  
KR 20020005198 A \* 1/2002 ..... B25J 9/00

**OTHER PUBLICATIONS**

Gearbest. [https://www.gearbest.com/science-discovery-toys/pp\\_009211530755.html](https://www.gearbest.com/science-discovery-toys/pp_009211530755.html). Nov 11, 2018. DIY Graffiti Robot Children Educational Toy—Multi. (Year: 2018).\*

*Primary Examiner* — Lauren D McVey

(74) *Attorney, Agent, or Firm* — Leason Ellis LLP

(57) **CLAIM**

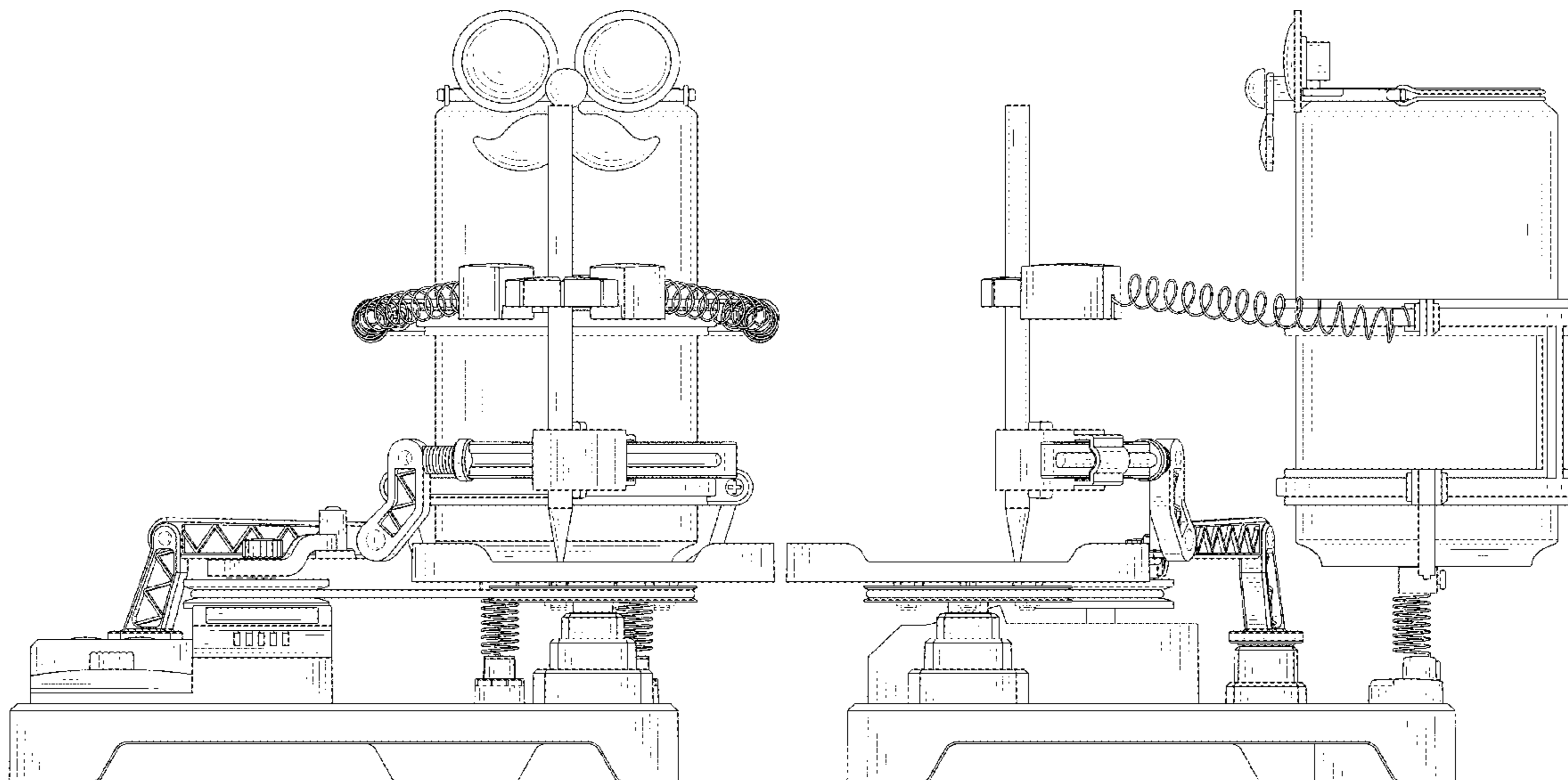
The ornamental design of a teaching model, substantially as shown and described.

**DESCRIPTION**

FIG. 1 is a top perspective view of a teaching model showing our new design;  
FIG. 2 is a bottom perspective view of the teaching model in FIG. 1;  
FIG. 3 is a front elevation view thereof;  
FIG. 4 is a rear elevation view thereof;  
FIG. 5 is a right side elevation view thereof;  
FIG. 6 is a left side elevation view thereof;  
FIG. 7 is a top plan view thereof;  
FIG. 8 is a bottom plan view thereof;  
FIG. 9 is an enlarged view of the encircled portion in FIG. 1; and,  
FIG. 10 is an enlarged view of the encircled portion in FIG. 2.

The evenly spaced broken lines immediately adjacent the claim depict the bounds of the claimed design, while all other broken lines are directed to environment. The dot-dash broken lines encircling portions of the claimed design in FIGS. 1 and 2 that are illustrated in enlargements in FIGS. 9 and 10, respectively, form no part of the claimed design. The broken lines form no part of the claimed design.

**1 Claim, 10 Drawing Sheets**



(56)

**References Cited**

U.S. PATENT DOCUMENTS

4,274,225 A \* 6/1981 Knauff ..... A63H 17/34  
17/34  
4,452,589 A \* 6/1984 Denison ..... G09B 19/24  
219/136  
D312,674 S \* 12/1990 Satoh ..... D21/585  
D313,261 S \* 12/1990 Satoh ..... D21/585  
D343,432 S \* 1/1994 Pachol ..... D21/586  
5,702,283 A \* 12/1997 Watson, Jr. .... A63H 5/00  
434/373  
D837,294 S \* 1/2019 Ciniello ..... D19/59

\* cited by examiner

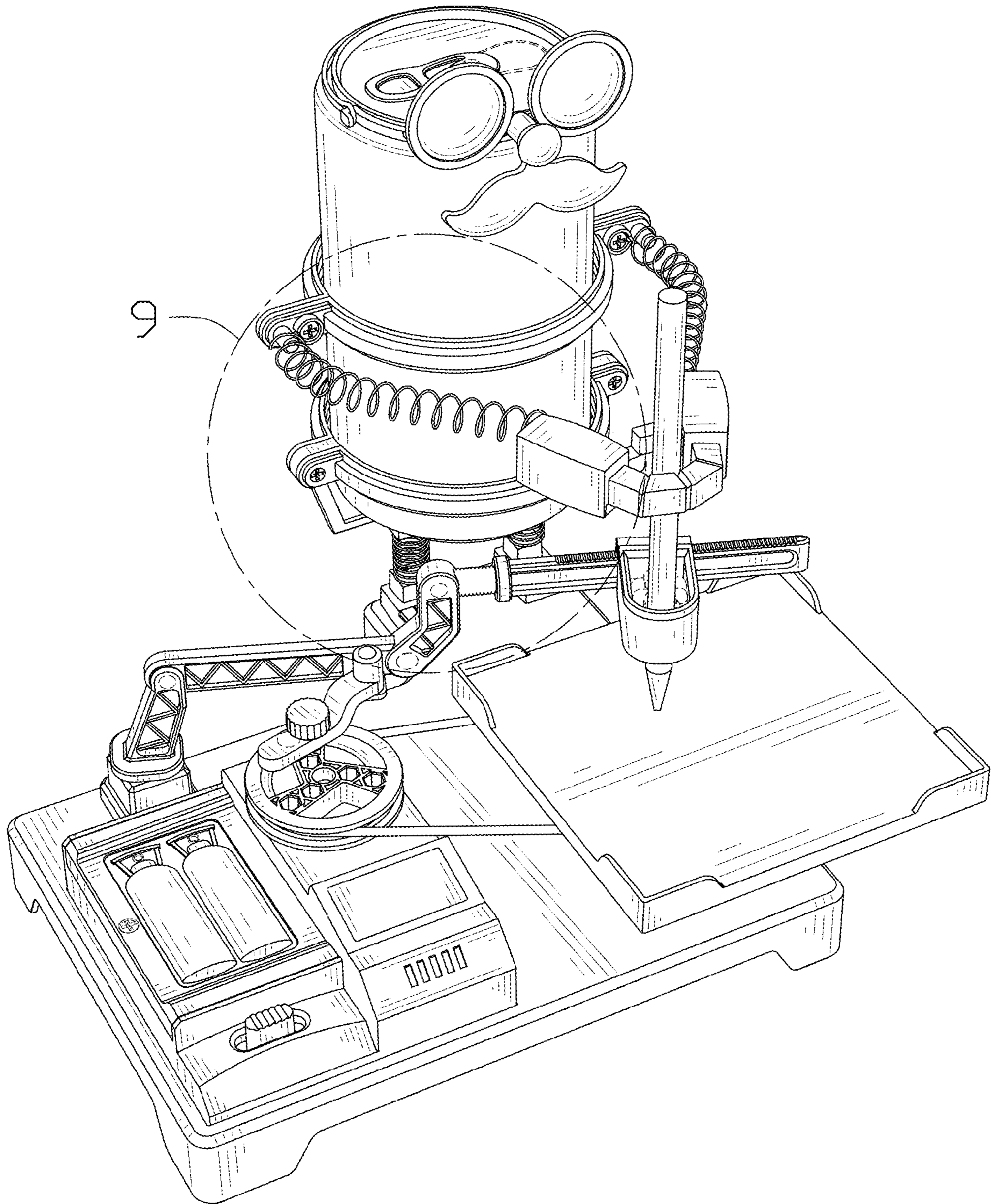


FIG. 1

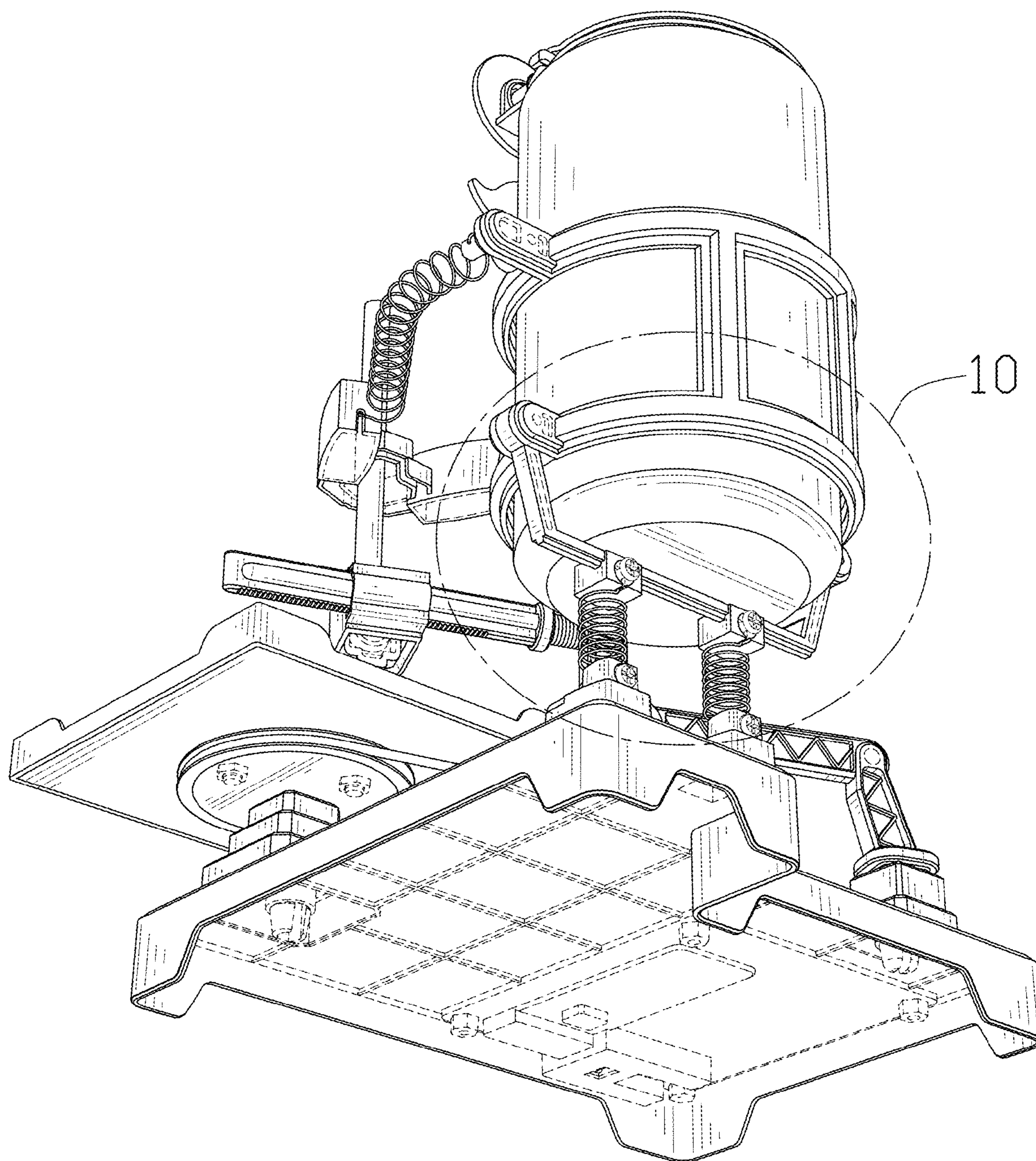


FIG. 2

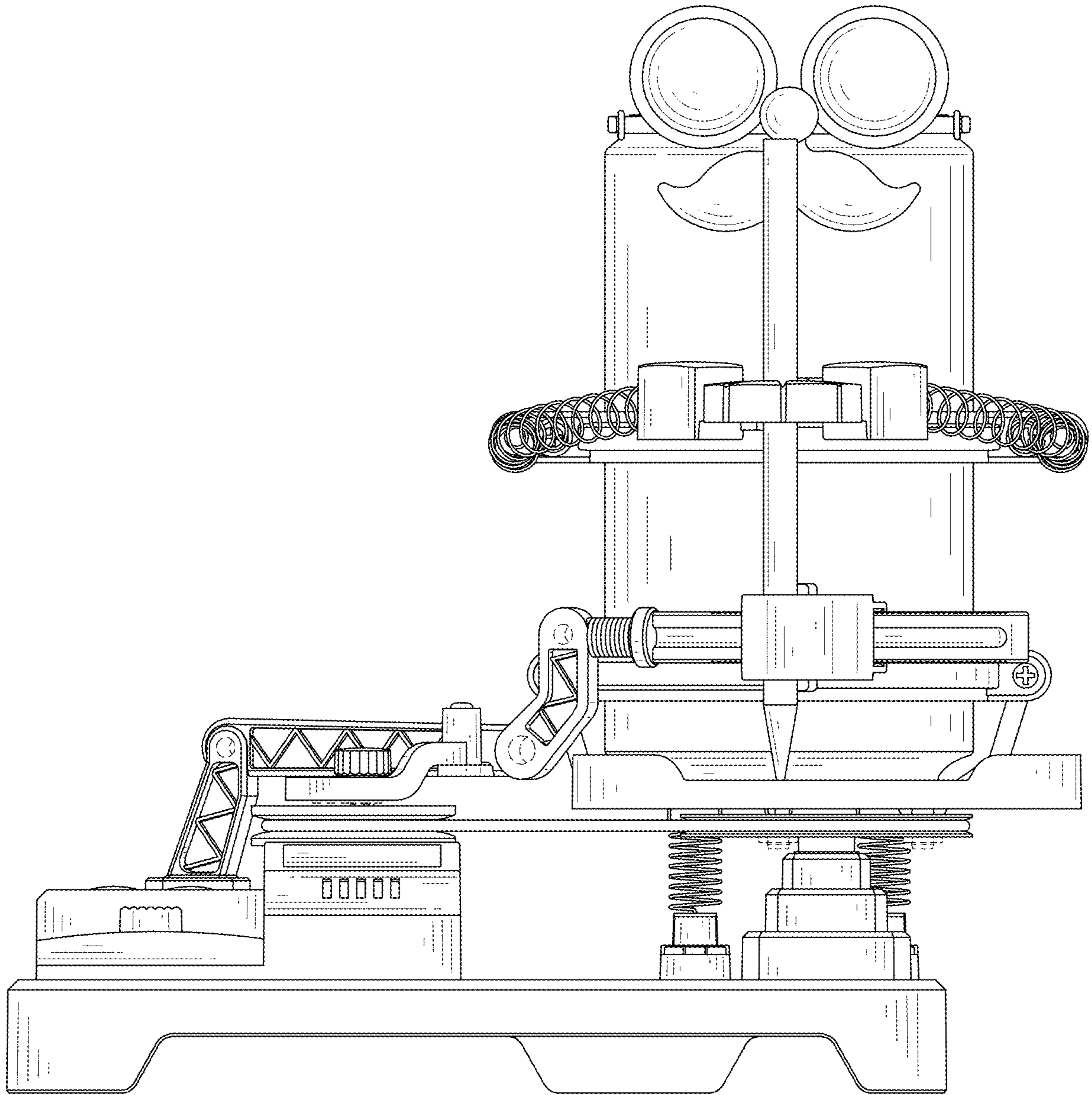


FIG. 3

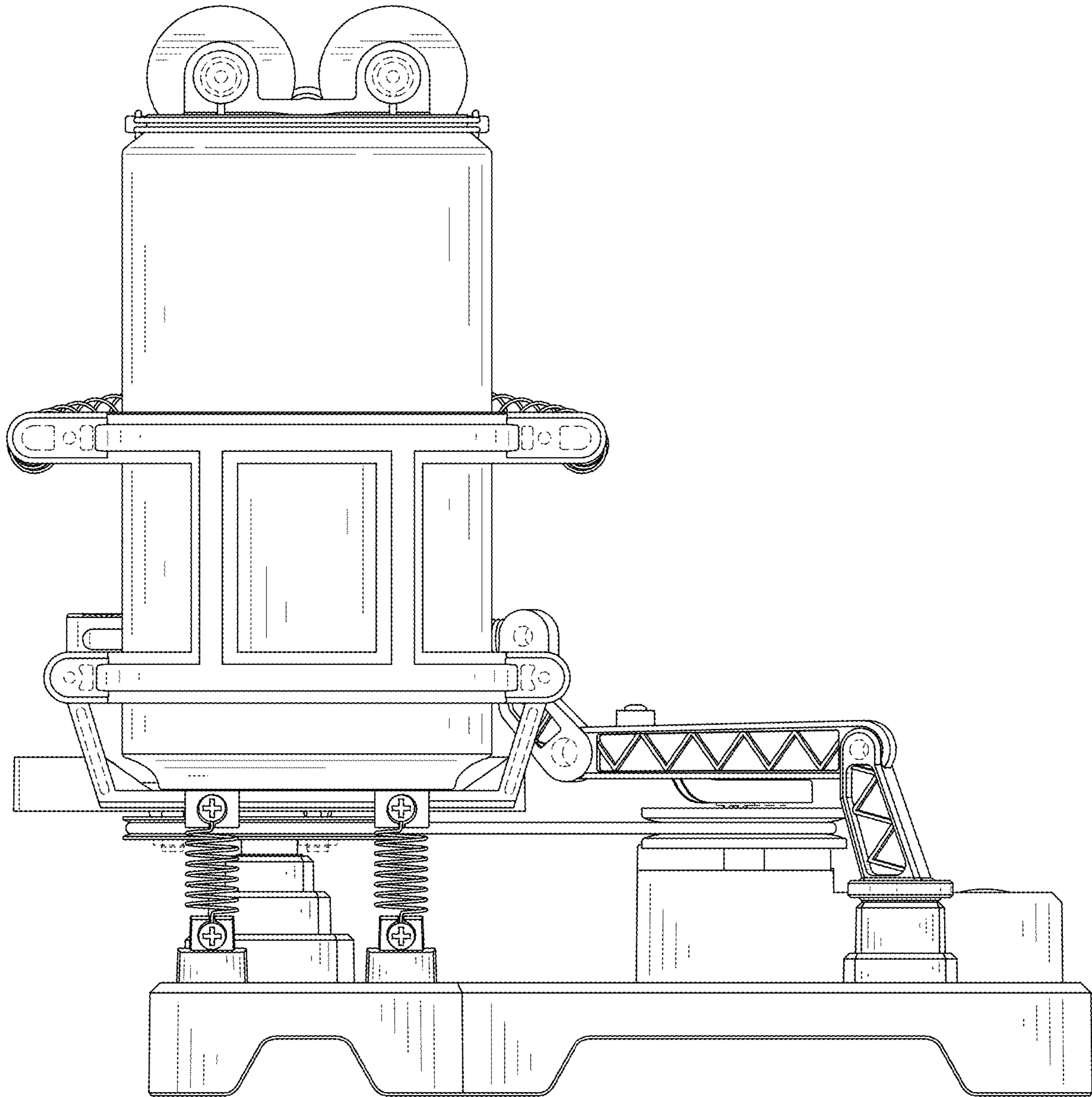


FIG. 4

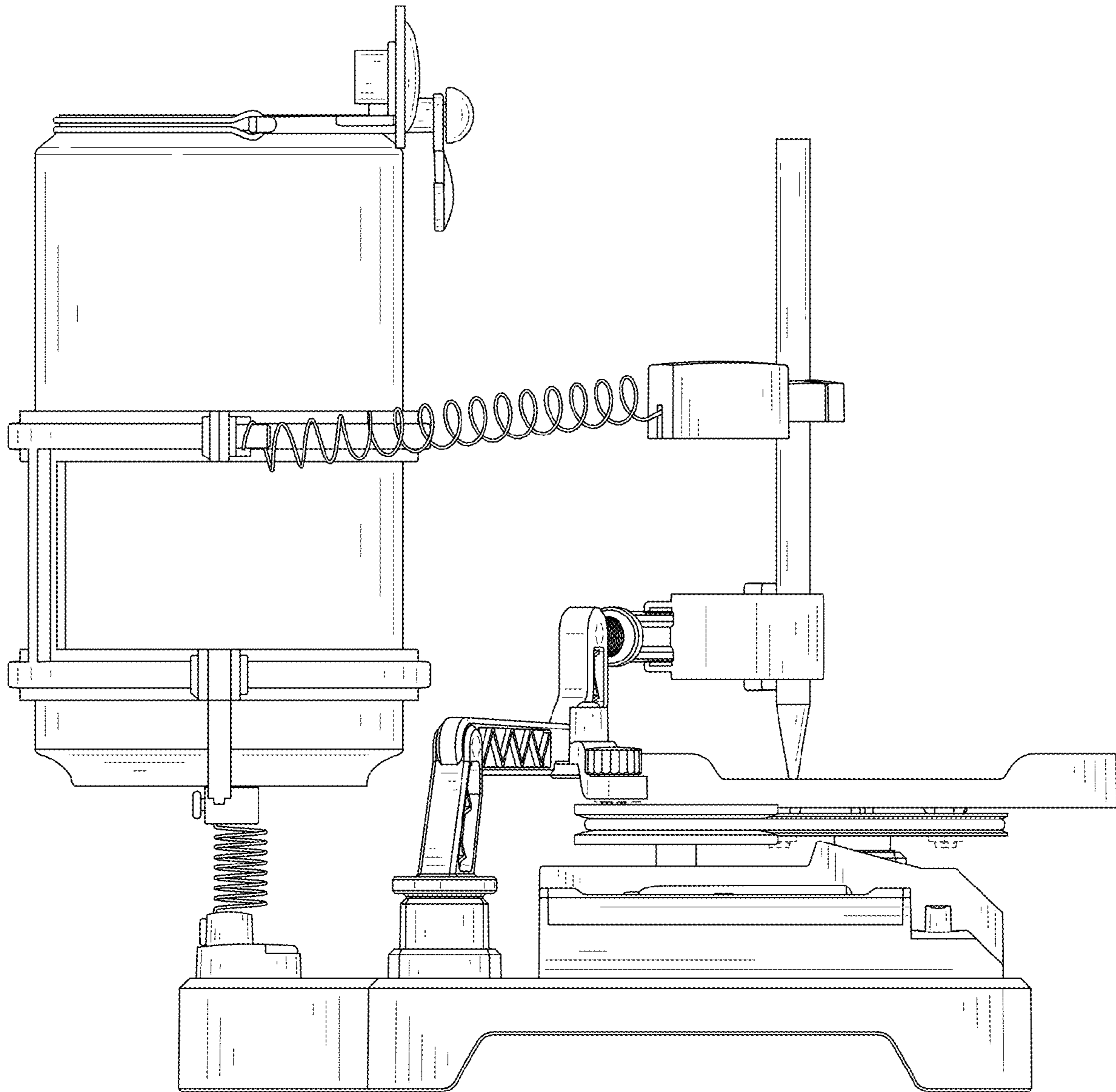


FIG. 5

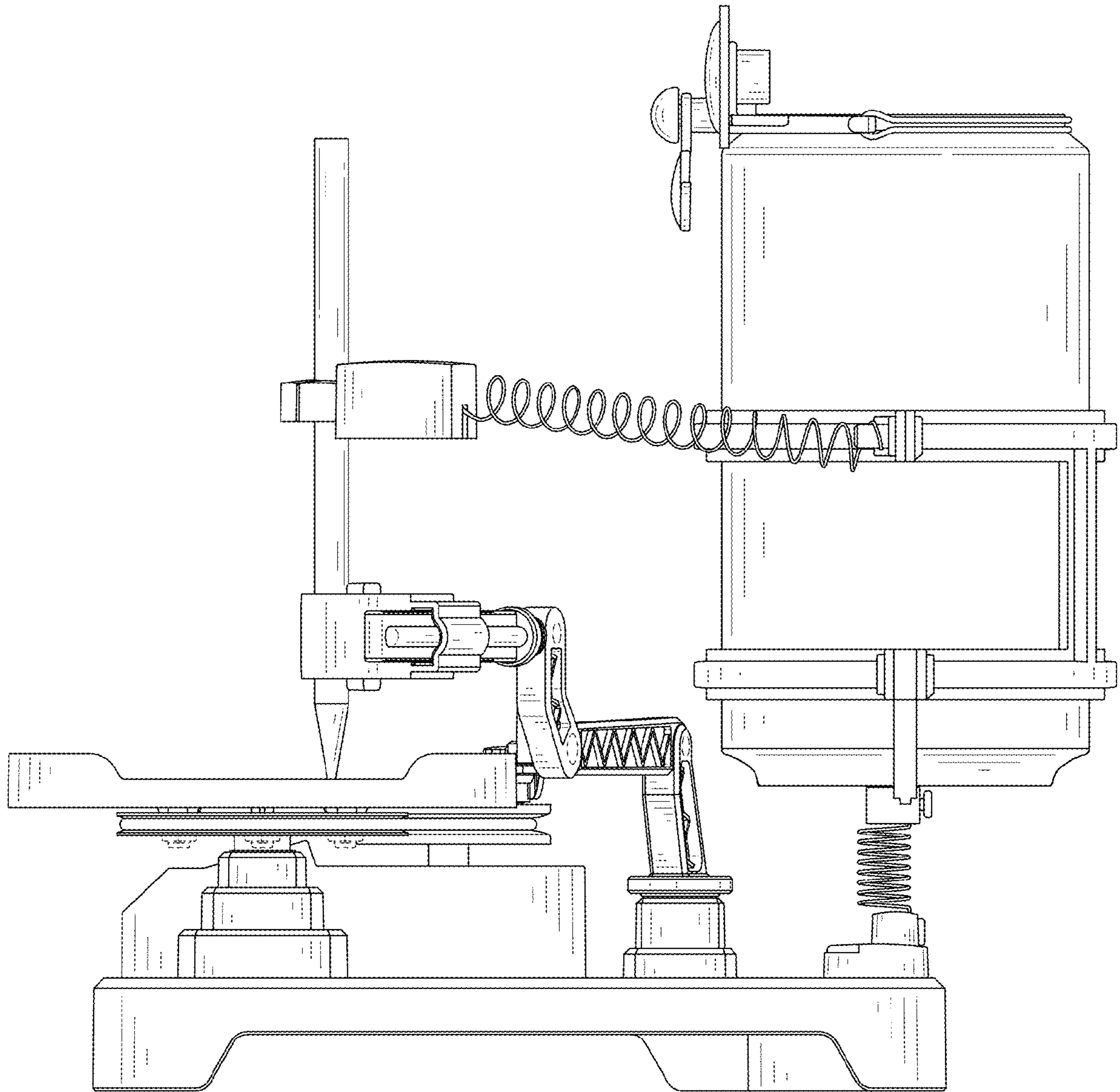


FIG. 6



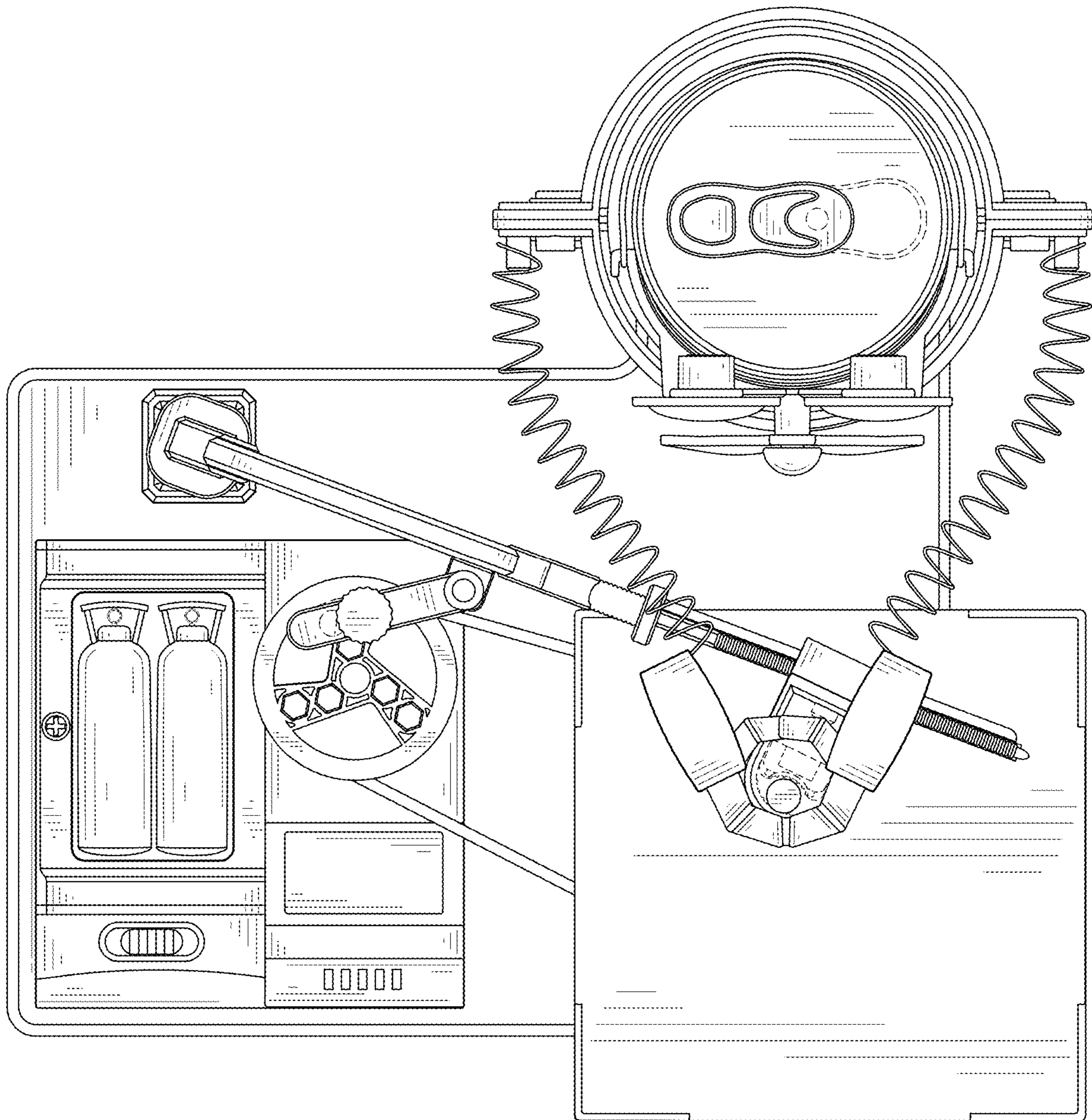


FIG. 7

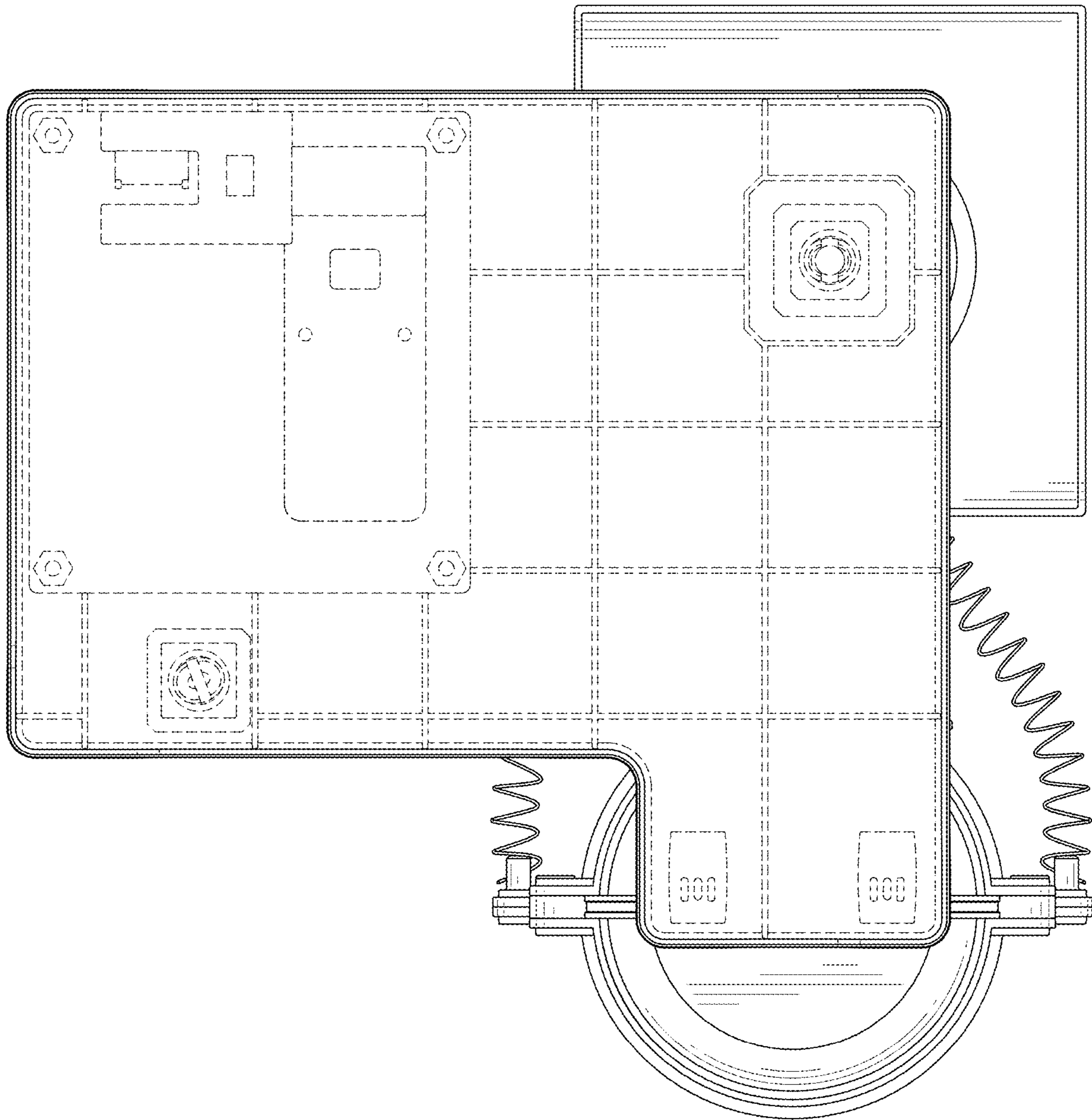


FIG. 8

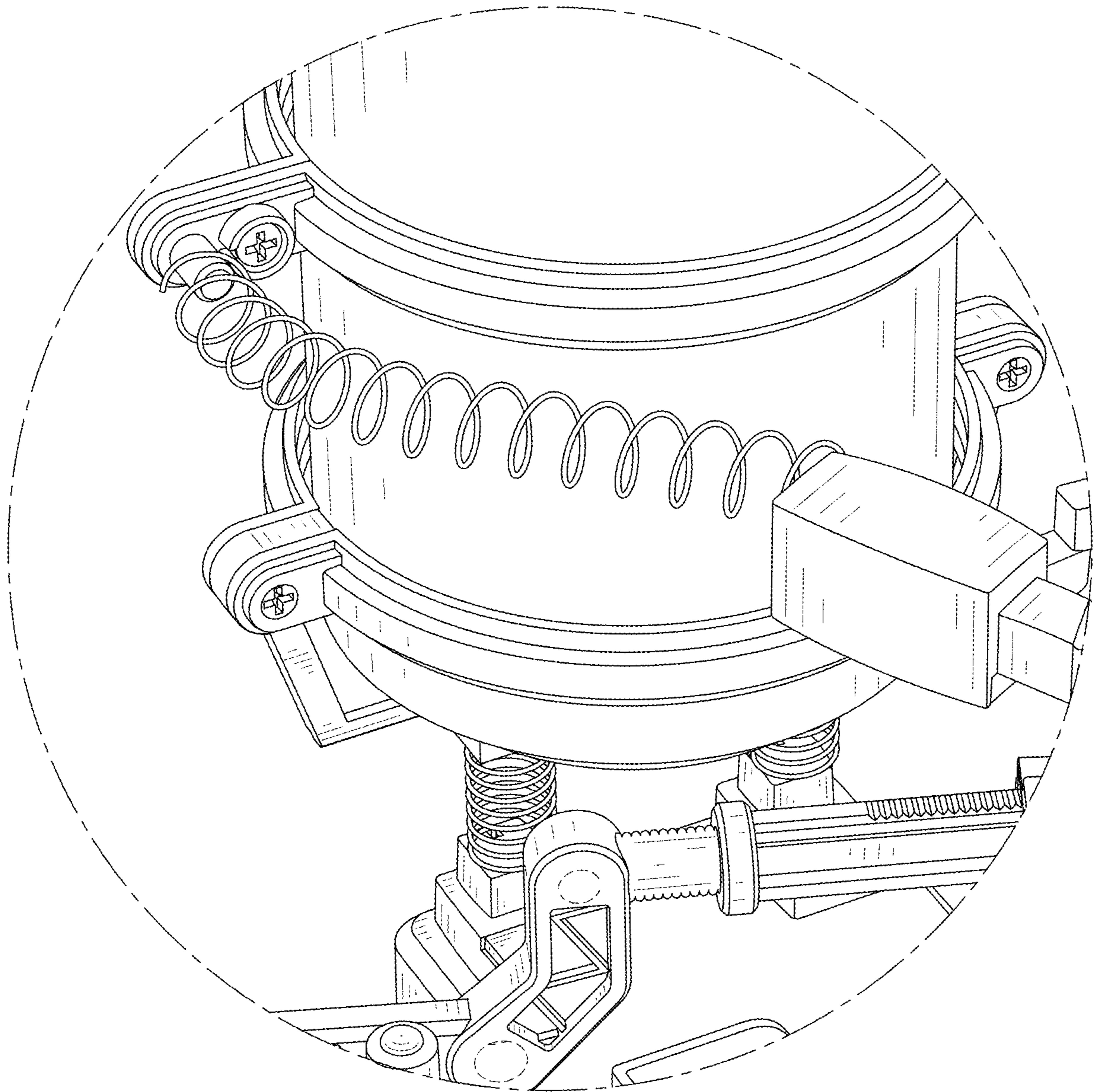


FIG. 9

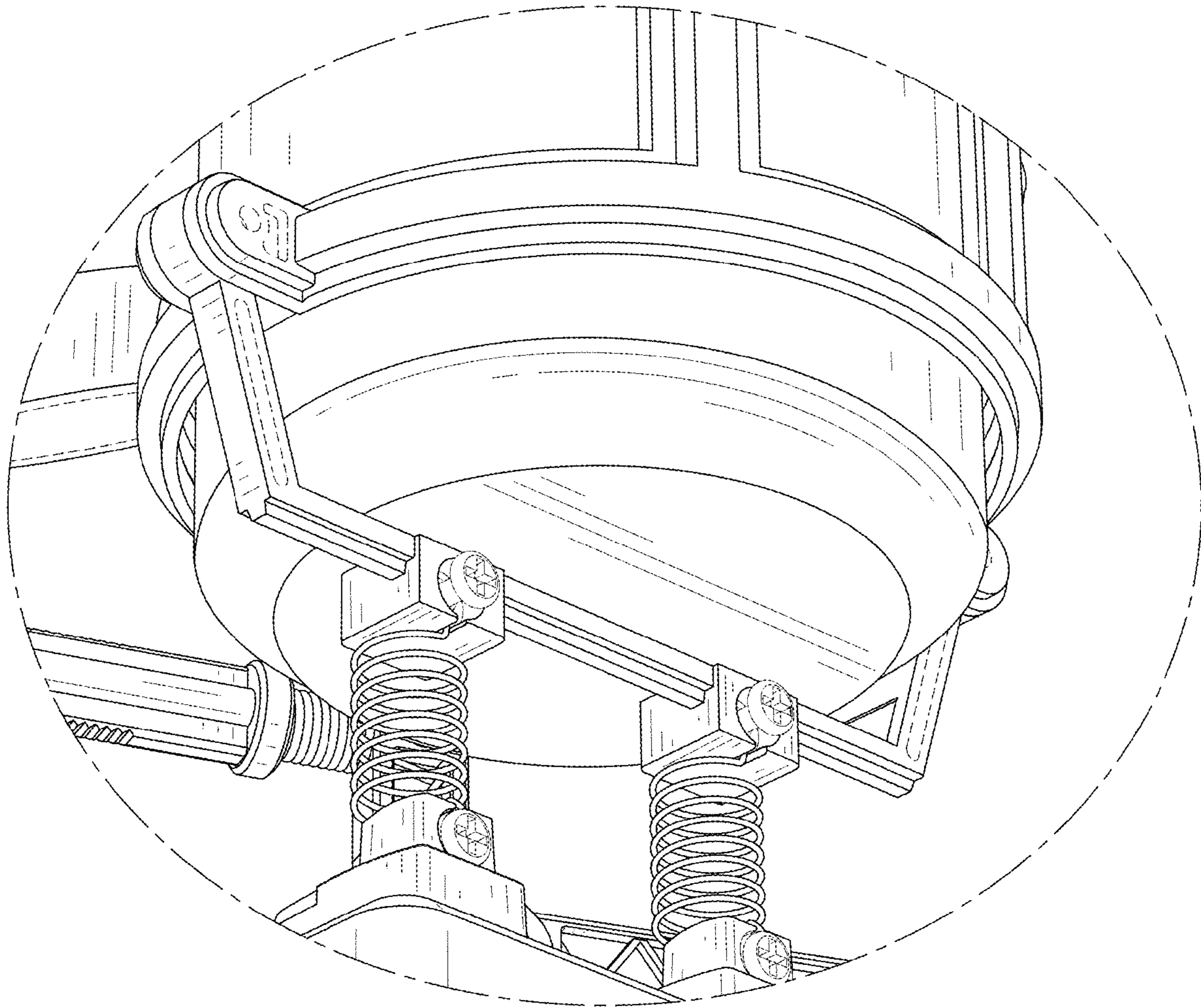


FIG. 10