

US00D892925S

(12) **United States Design Patent** (10) **Patent No.:** **US D892,925 S**  
**Schwank** (45) **Date of Patent:** **\*\* Aug. 11, 2020**

(54) **PRINTING MACHINE**  
(71) Applicant: **SwissQprint**, Kriessern (CH)  
(72) Inventor: **Anita Schwank**, Chur (CH)  
(73) Assignee: **swissQprint**, Kriessern (CH)  
(\*\*) Term: **15 Years**

(21) Appl. No.: **35/506,575**  
(22) Filed: **Nov. 7, 2018**

(80) **Hague Agreement Data**

Int. Filing Date: **Nov. 7, 2018**  
Int. Reg. No.: **DM/200548**  
Int. Reg. Date: **Nov. 7, 2018**  
Int. Reg. Pub. Date: **Apr. 12, 2019**

(51) **LOC (12) Cl.** ..... **18-02**

(52) **U.S. Cl.**  
USPC ..... **D18/53**  
CPC ..... **G06K 15/12** (2013.01)

(58) **Field of Classification Search**  
USPC ..... D18/50-59, 36-45, 34.4-34.6; D14/301,  
D14/307  
CPC .... G06K 15/12; G06K 15/14; H04N 1/00204;  
H04N 1/00249; H04N 1/00278; B41J  
3/00; B41J 3/28; B41J 3/445; B41J 3/46  
See application file for complete search history.

(56) **References Cited**

**U.S. PATENT DOCUMENTS**

D252,933 S \* 9/1979 Schott ..... D18/53  
D313,051 S \* 12/1990 Haker ..... D14/302  
D321,000 S \* 10/1991 Kitamura ..... D18/53  
D323,844 S \* 2/1992 Kitamura ..... D18/53  
D324,537 S \* 3/1992 Maehara ..... D18/53  
D330,909 S \* 11/1992 Nishida ..... D18/3.3  
D332,464 S \* 1/1993 Doi ..... D18/53  
D332,797 S \* 1/1993 Shinmoto ..... D18/53  
D341,155 S \* 11/1993 Fujii ..... D18/53

D350,561 S \* 9/1994 Hiraishi ..... D18/53  
D351,188 S \* 10/1994 Hiraishi ..... D18/53  
D353,396 S \* 12/1994 Hiraishi ..... D18/53  
D353,618 S \* 12/1994 Hiraishi ..... D18/53  
D353,833 S \* 12/1994 Karafuji ..... D18/53  
D357,499 S \* 4/1995 Karafuji ..... D18/53  
D357,934 S \* 5/1995 Karafuji ..... D18/53  
D363,735 S \* 10/1995 Karafuji ..... D18/53  
D378,831 S \* 4/1997 Karafuji ..... D18/53  
D405,108 S \* 2/1999 Karafuji ..... D18/53  
D412,525 S \* 8/1999 Tachibana ..... D18/53  
D416,283 S \* 11/1999 Yamashita ..... D18/53  
D418,527 S \* 1/2000 Billman ..... D15/199  
D438,240 S \* 2/2001 Kimura ..... D18/50  
D459,390 S \* 6/2002 Teodorescu ..... D18/53  
D460,981 S \* 7/2002 Tachibana ..... D18/53  
D522,568 S \* 6/2006 Schneider ..... D18/50  
D537,868 S \* 3/2007 Senda ..... D18/50  
D605,221 S \* 12/2009 Stenzel ..... D18/53  
D605,690 S \* 12/2009 Stenzel ..... D18/53  
D624,959 S \* 10/2010 Stenzel ..... D18/53

(Continued)

*Primary Examiner* — Richard E Chilcot

(74) *Attorney, Agent, or Firm* — Volpe and Koenig, P.C.

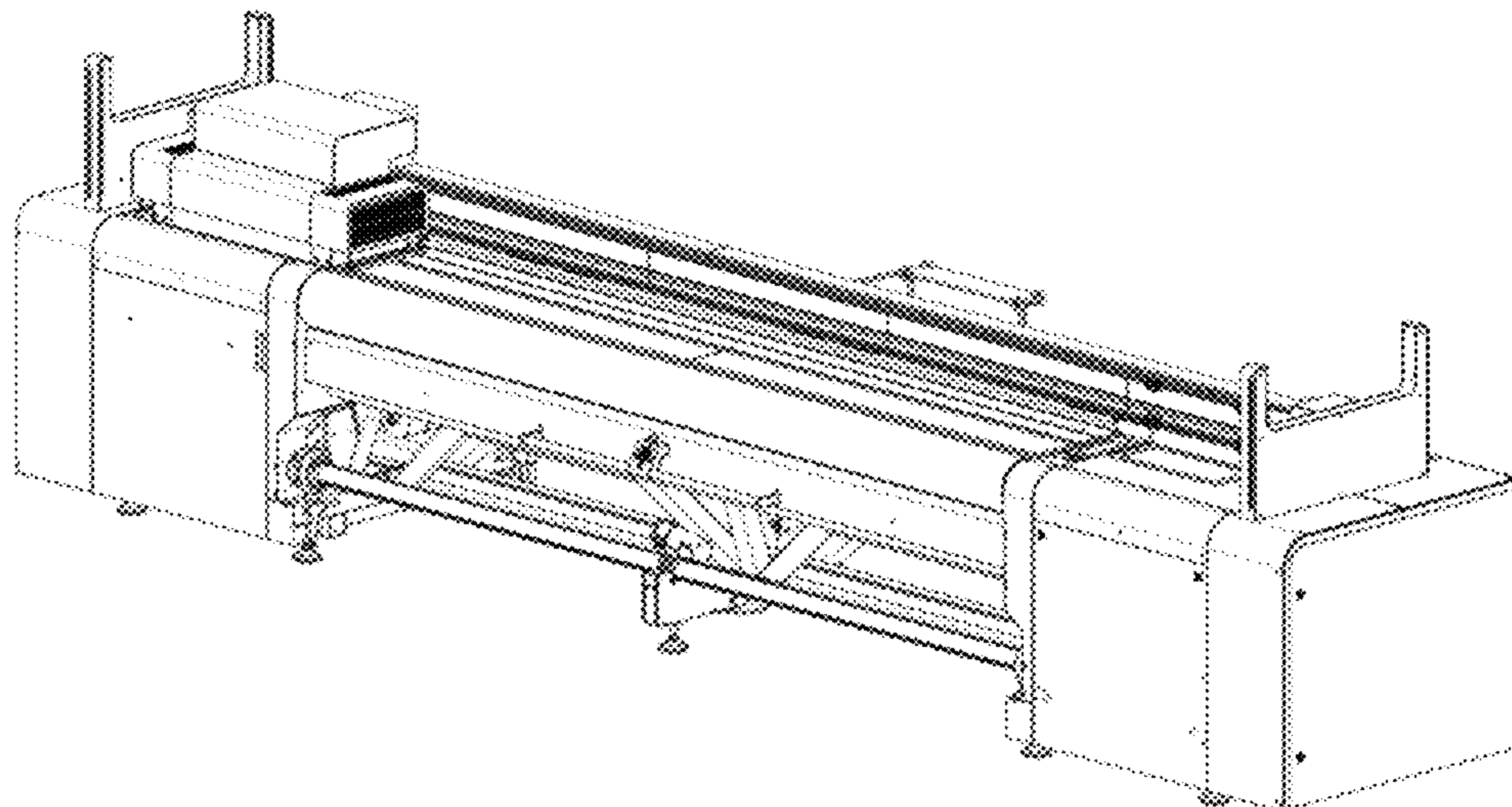
(57) **CLAIM**

The ornamental design for a printing machine, as shown and described.

**DESCRIPTION**

- 1. Printing machine
- 1.1 Perspective view
- 1.2 Right side elevational view
- 1.3 Left side elevational view
- 1.4 Top plan view
- 1.5 Rear elevational view
- 1.6 Front elevational view
- 1.7 Top, right perspective view
- 1.8 Top, left perspective view
- 1.9 Front, right perspective view
- 1.10 Front, left perspective view
- 1.11 Top, rear perspective view
- 1.12 Top, front perspective view

**1 Claim, 12 Drawing Sheets**



(56)

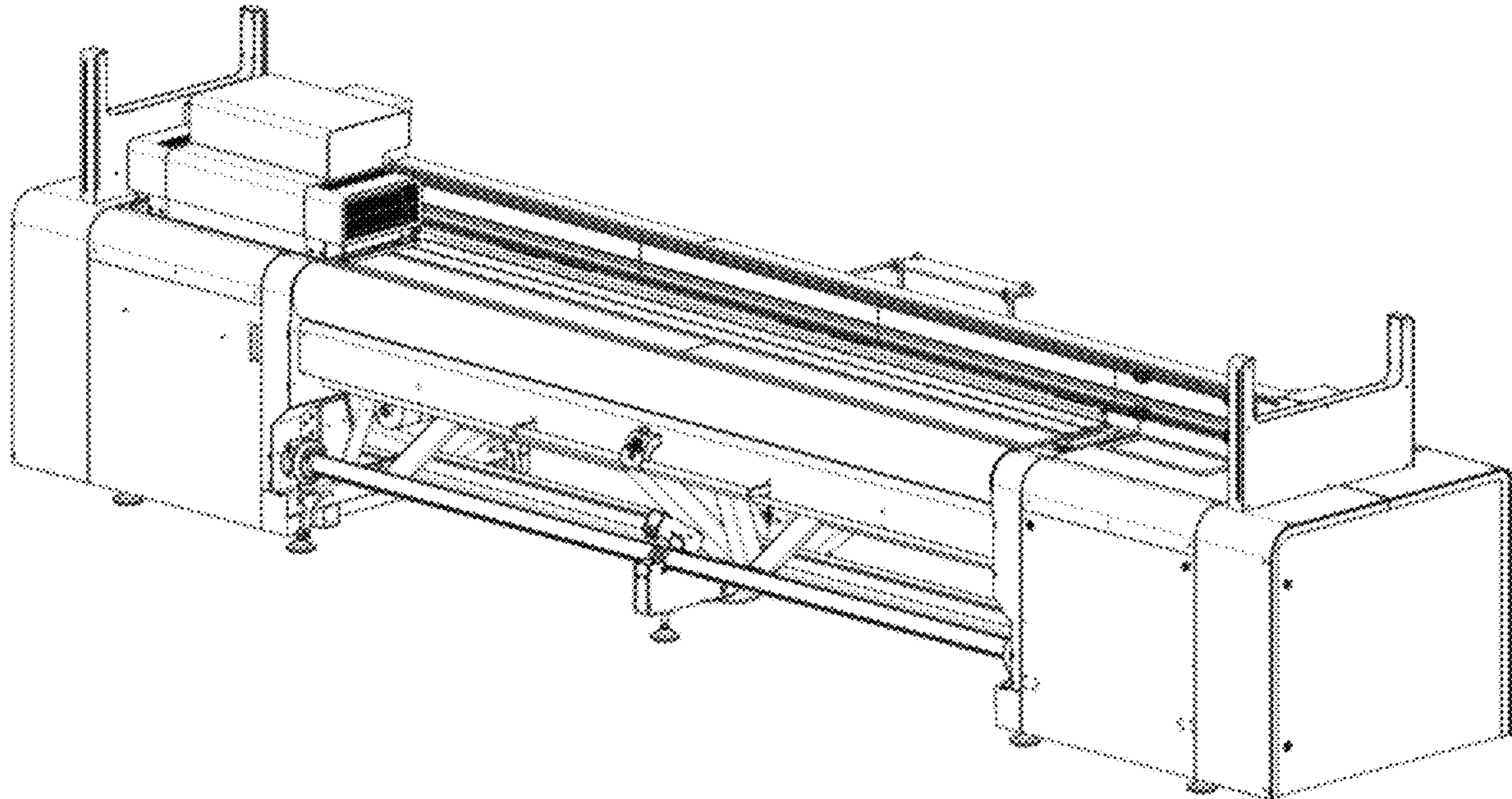
**References Cited**

U.S. PATENT DOCUMENTS

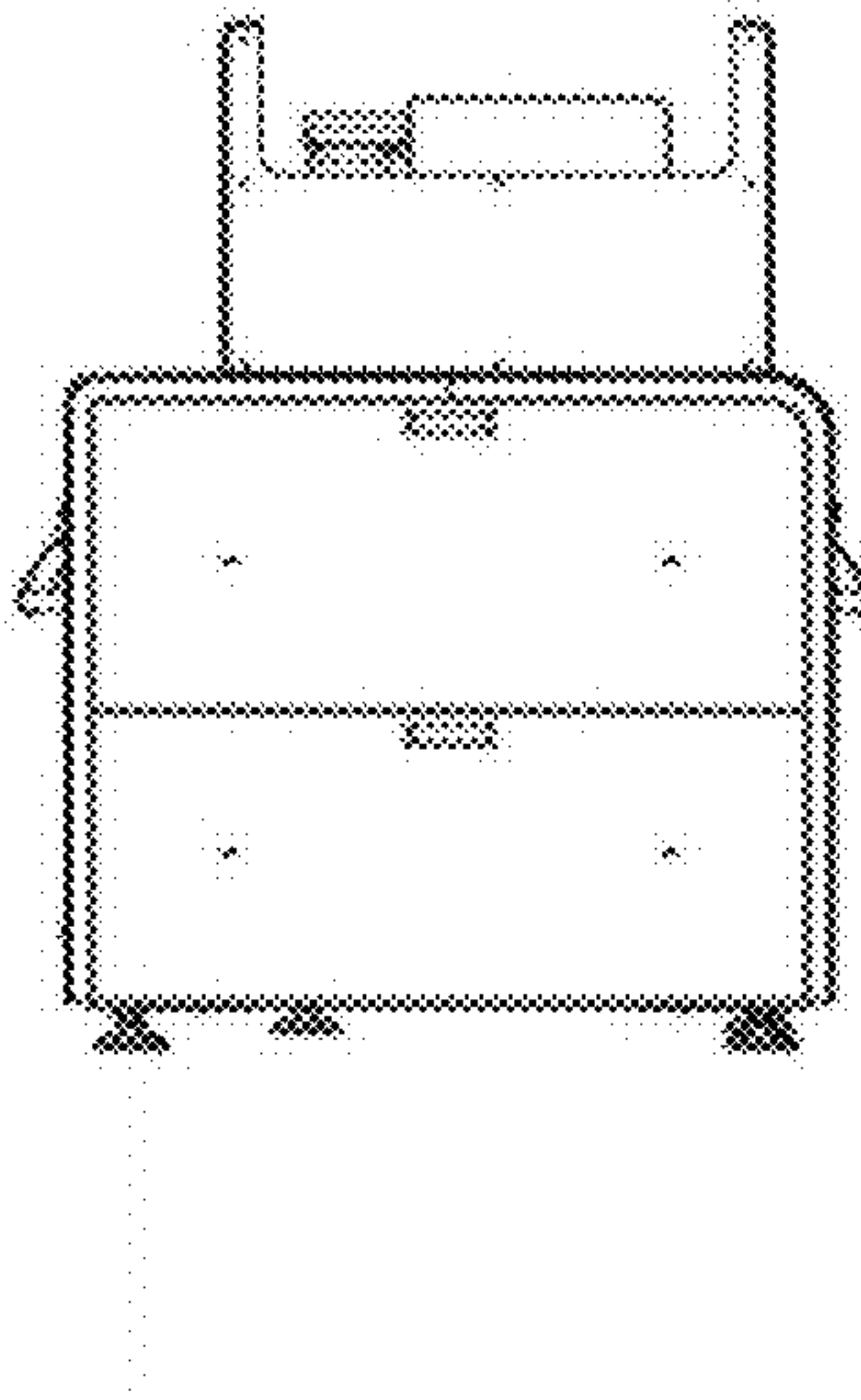
|            |   |         |                 |         |
|------------|---|---------|-----------------|---------|
| D629,448 S | * | 12/2010 | Bundschuh ..... | D18/56  |
| D645,898 S | * | 9/2011  | Stenzel .....   | D18/53  |
| D761,901 S | * | 7/2016  | Kim .....       | D14/371 |
| D799,592 S | * | 10/2017 | Longo .....     | D18/53  |
| D823,385 S | * | 7/2018  | Senshiki .....  | D18/53  |
| D854,080 S | * | 7/2019  | Senshiki .....  | D18/53  |

\* cited by examiner

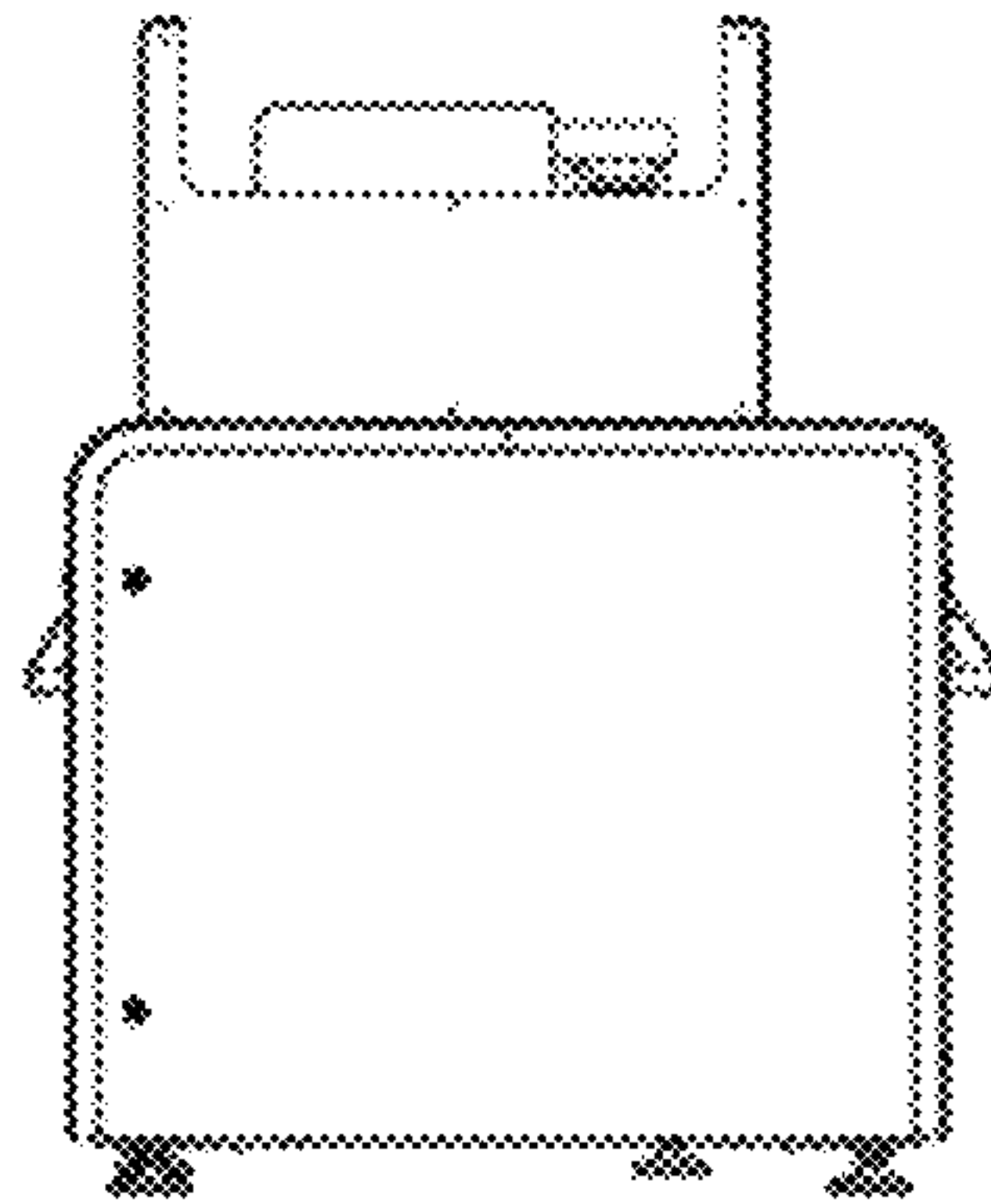
1.1



1.2

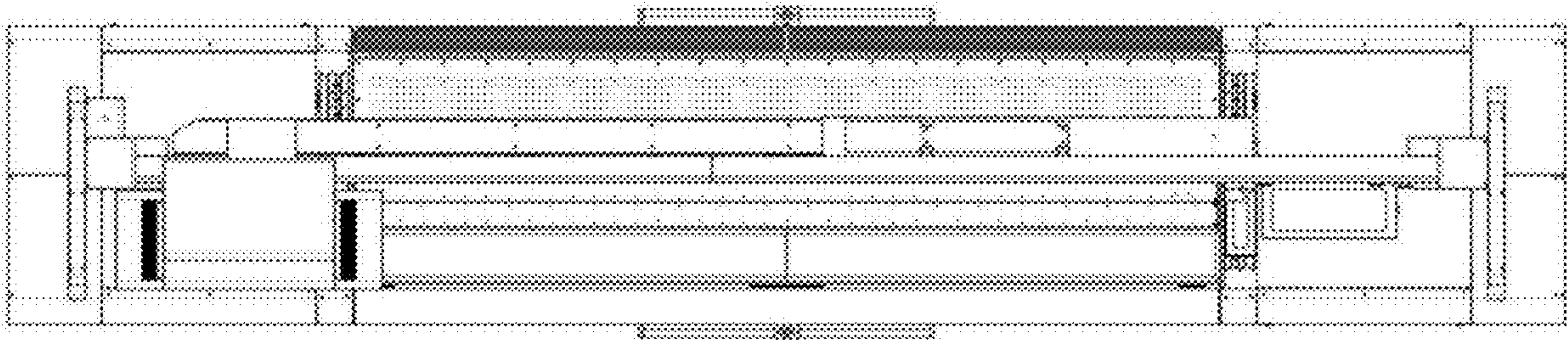


1.3

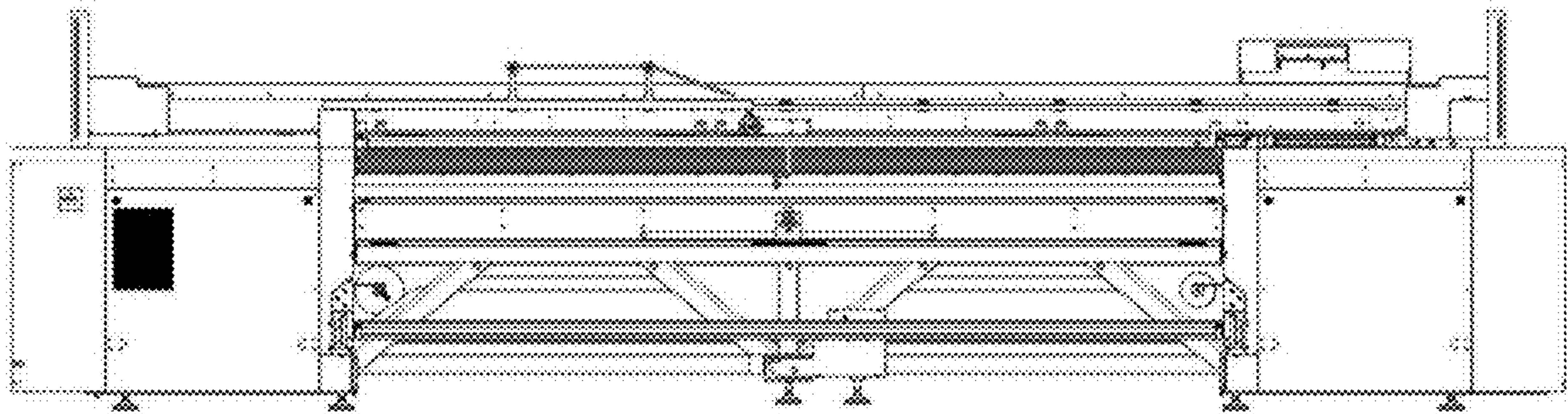




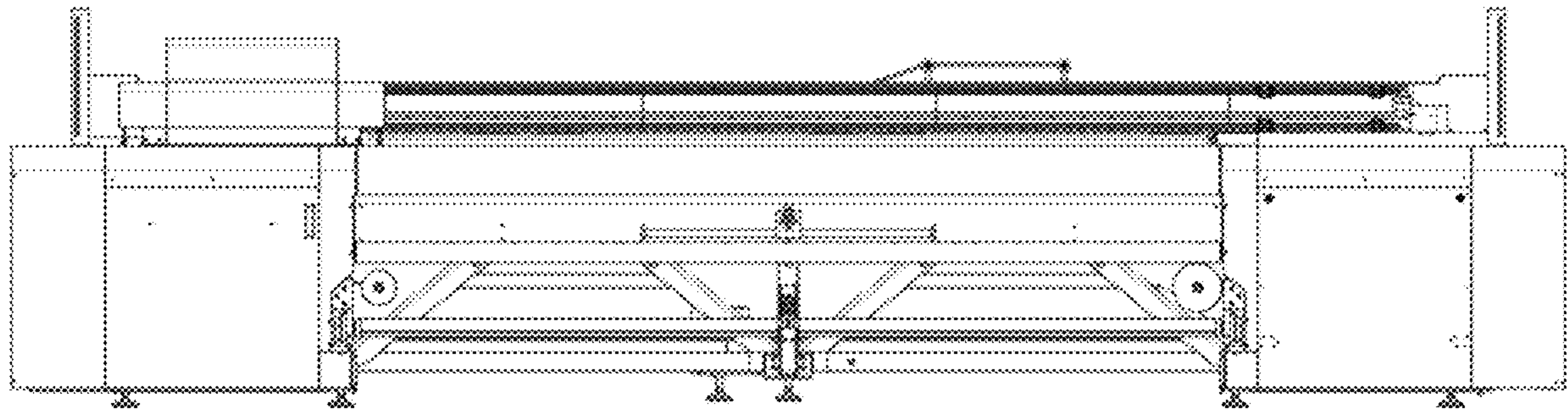
1.4



1.5

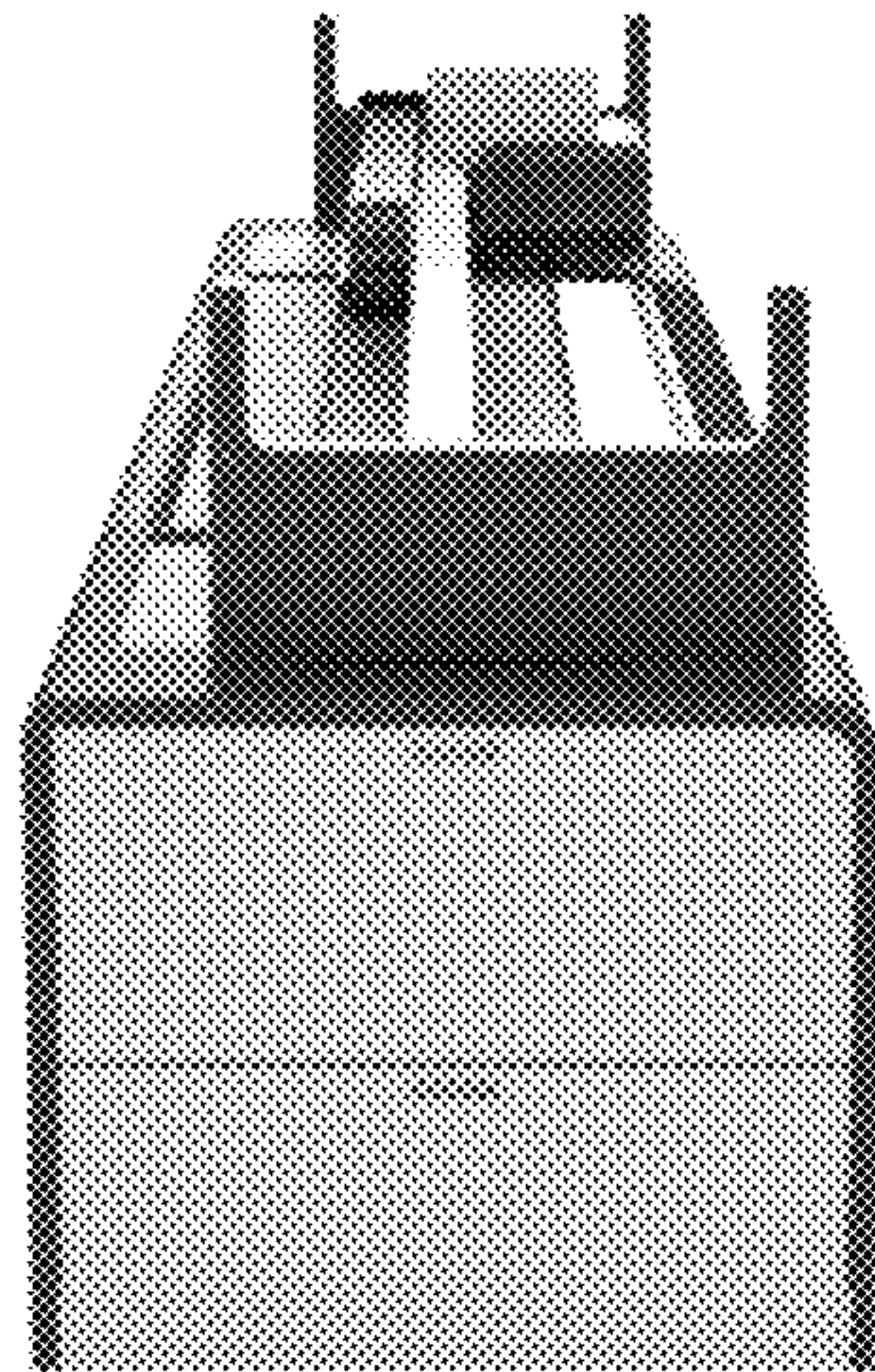


1.6

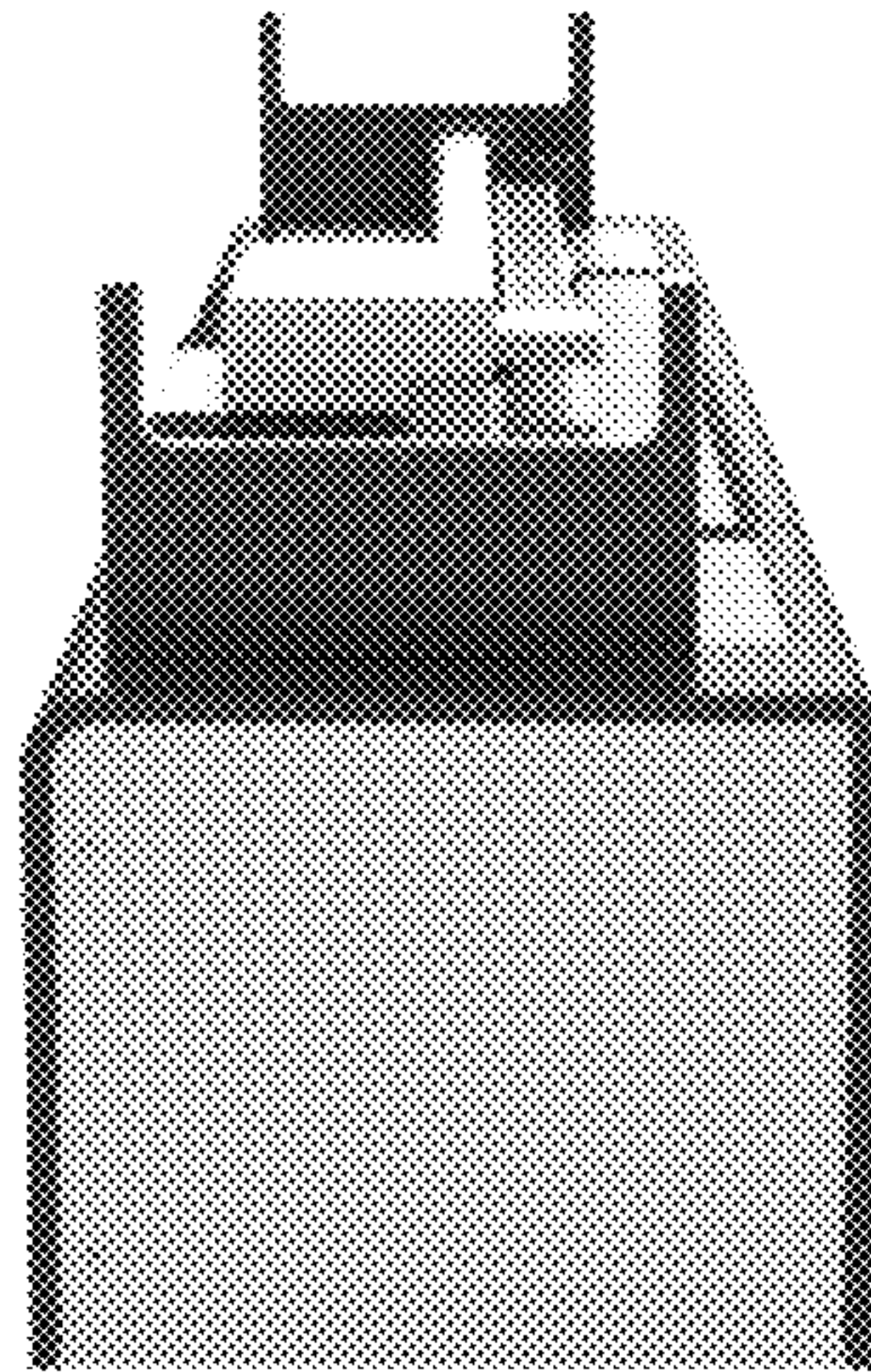




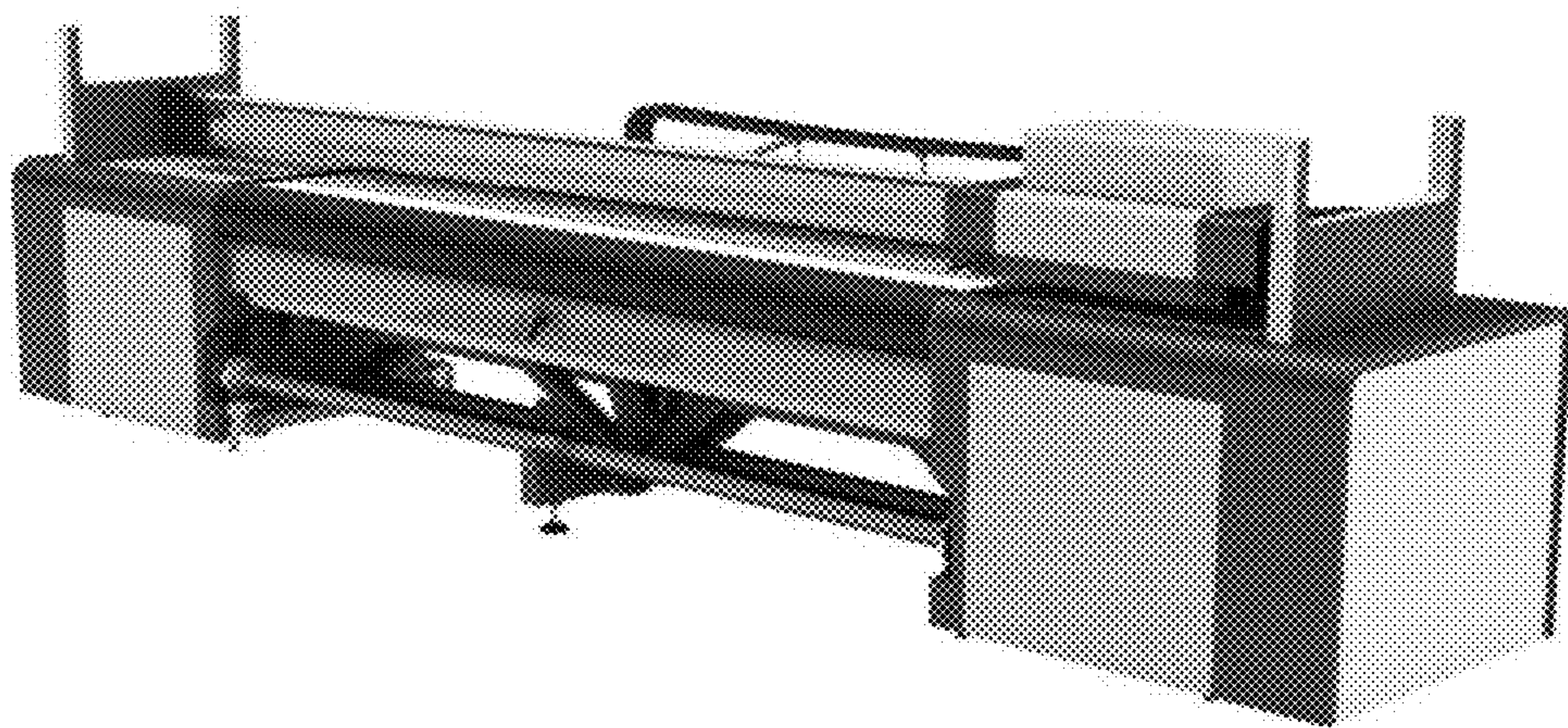
1.7



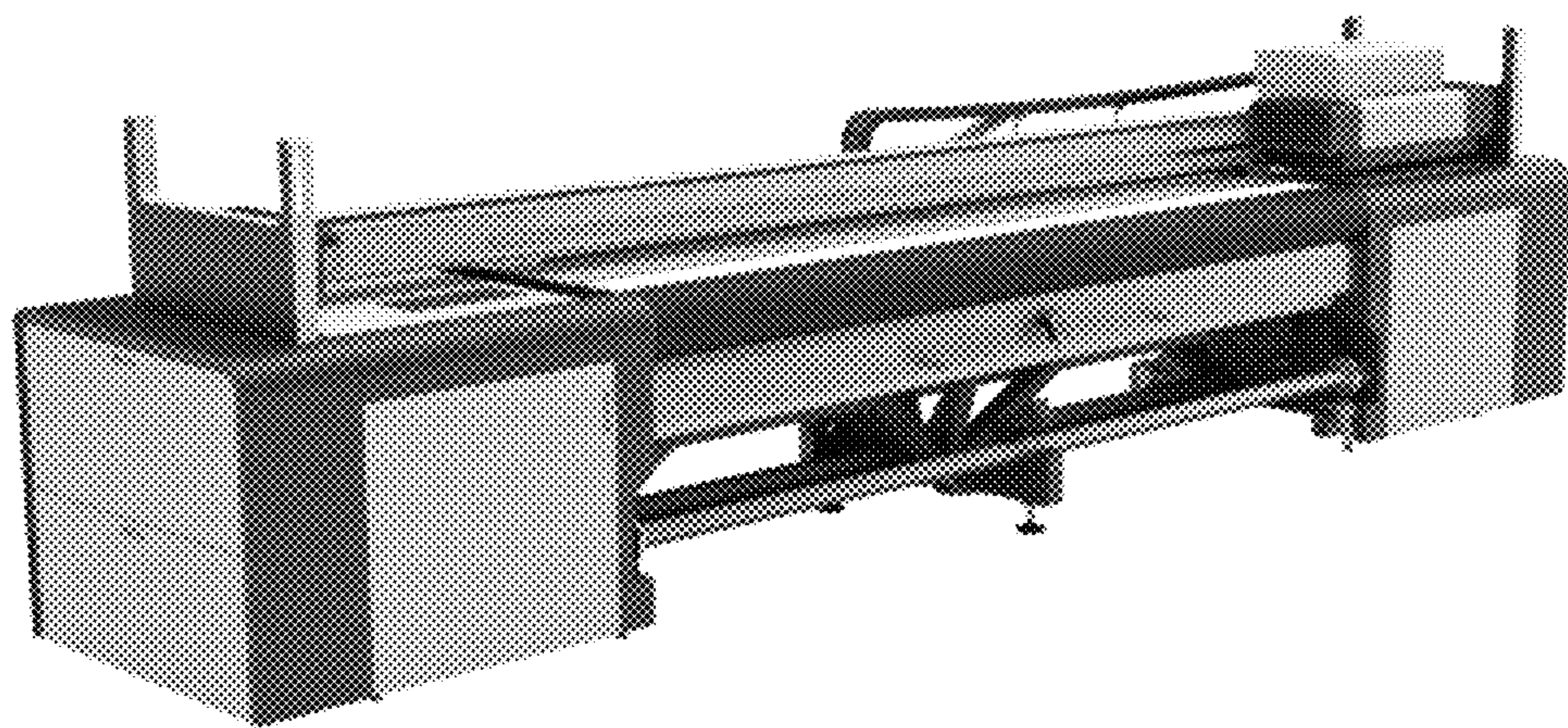
1.8



1.9

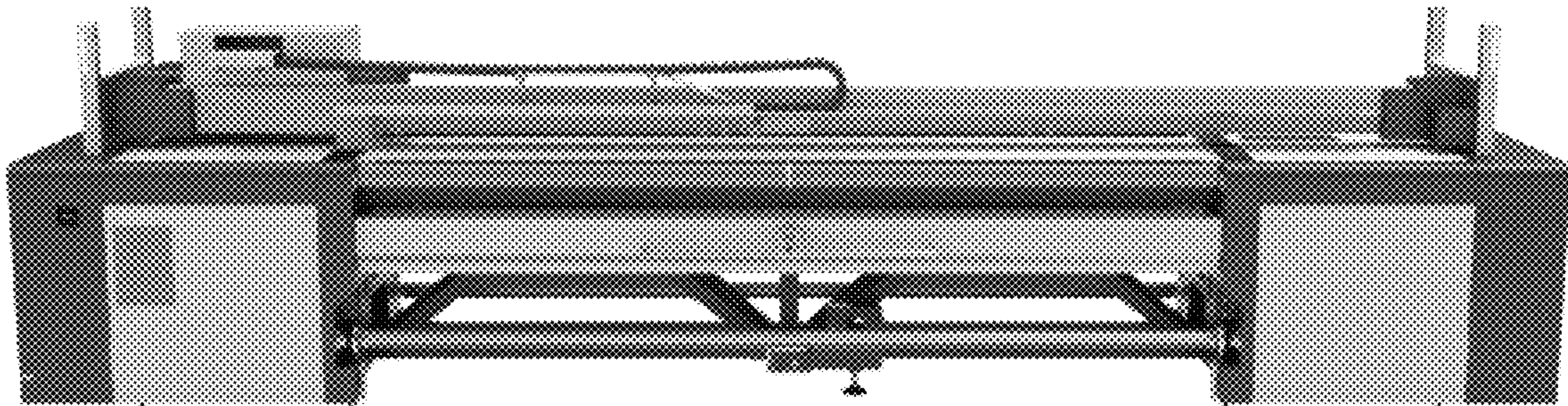


1.10





1.11





1.12

