

US00D892924S

(12) **United States Design Patent** (10) **Patent No.:** **US D892,924 S**
Tobita et al. (45) **Date of Patent:** **** Aug. 11, 2020**

(54) **PRINTER**

FOREIGN PATENT DOCUMENTS

(71) Applicant: **Mitsubishi Electric Corporation,**
Tokyo (JP)

WO D089239-001 * 8/2016

(72) Inventors: **Mariko Tobita,** Tokyo (JP); **Takanori Hikima,** Tokyo (JP)

OTHER PUBLICATIONS

(73) Assignee: **Mitsubishi Electric Corporation,**
Tokyo (JP)

B & H. Link: https://www.bhphotovideo.com/c/product/1279422-REG/mitsubishi_cp_d90dw_hs_digital_color.html?ap=y&smp=y&1sft=BI%3A514&gclid=EA1aIQobChMljenByJH-4wIVFVmGCh1FVwjzEAQYCiABEgllvD_BwE. Visited Aug. 12, 2019. Mitsubishi CP-D90DW High-Speed Dye Sublimation Digital Color Printer. (Year: 2019).*

(**) Term: **15 Years**

(21) Appl. No.: **29/667,894**

Primary Examiner — Lauren D McVey

(22) Filed: **Oct. 25, 2018**

(74) *Attorney, Agent, or Firm* — Stuebaker & Brackett PC

(30) **Foreign Application Priority Data**

May 15, 2018 (JP) 2018-010554

(51) **LOC (12) Cl.** **14-02**

(52) **U.S. Cl.**
USPC **D18/50**

(58) **Field of Classification Search**

USPC D18/59, 55, 50, 53, 54, 56, 36, 37, 38,
D18/39, 40, 41, 45, 49; D14/121, 301,
D14/307; D15/122, 135

CPC H04N 1/00204; H04N 1/00249; H04N
1/00278; G06K 15/12; G06K 15/14; B41J
3/00; B41J 3/28; B41J 3/445; B41J 3/46

See application file for complete search history.

(56) **References Cited**

U.S. PATENT DOCUMENTS

D172,906 S *	8/1954	Sabel et al.	D18/37
D299,435 S *	1/1989	Kuwa	D10/46
D323,346 S *	1/1992	Yoshitani	D18/36
D323,847 S *	2/1992	Yoshitani	D18/36
D465,236 S *	11/2002	Fukasawa	D18/50
D558,819 S *	1/2008	Kimura	D18/50
D559,900 S *	1/2008	Kimura	D18/50
7,731,437 B2 *	6/2010	Shirotori	B26D 1/085 400/613
7,878,724 B2 *	2/2011	Yamagata	B41J 11/70 400/664

(Continued)

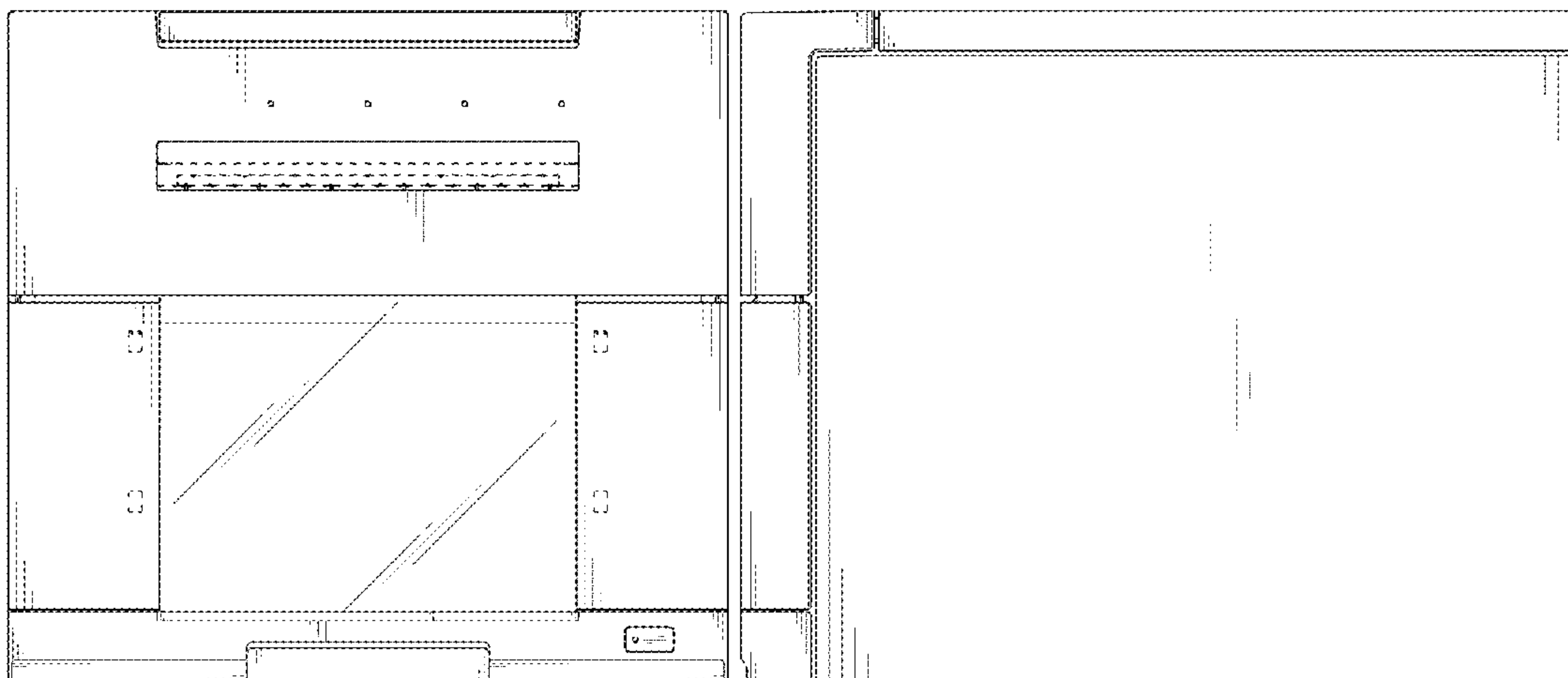
(57) **CLAIM**

The ornamental design for a printer, as shown and described.

DESCRIPTION

FIG. 1 is a front, top, and right side perspective view of a printer showing our new design in a closed position; FIG. 2 is a front elevation view thereof; FIG. 3 is a rear elevation view thereof; FIG. 4 is a left side elevation view thereof; FIG. 5 is a right side elevation view thereof; FIG. 6 is a top plan view thereof; FIG. 7 is a bottom plan view thereof; FIG. 8 is a perspective view of the printer in an open position; and, FIG. 9 is a front view of the printer in a closed position in a use state. The broken lines immediately adjacent the shaded areas depict the bounds of the claimed design, while all other broken lines are directed to environment. In addition, the unshaded surfaces directly adjoining the solid line edges form no part of the claimed design. The broken lines form no part of the claimed design.

1 Claim, 9 Drawing Sheets



(56)

References Cited

U.S. PATENT DOCUMENTS

D761,902 S *	7/2016	Matsumoto	D18/50
D761,903 S *	7/2016	Matsumoto	D18/50
D785,084 S *	4/2017	Azegami	D18/19
2011/0206439 A1 *	8/2011	Takahashi	B65H 19/126 400/611

* cited by examiner

Fig. 1

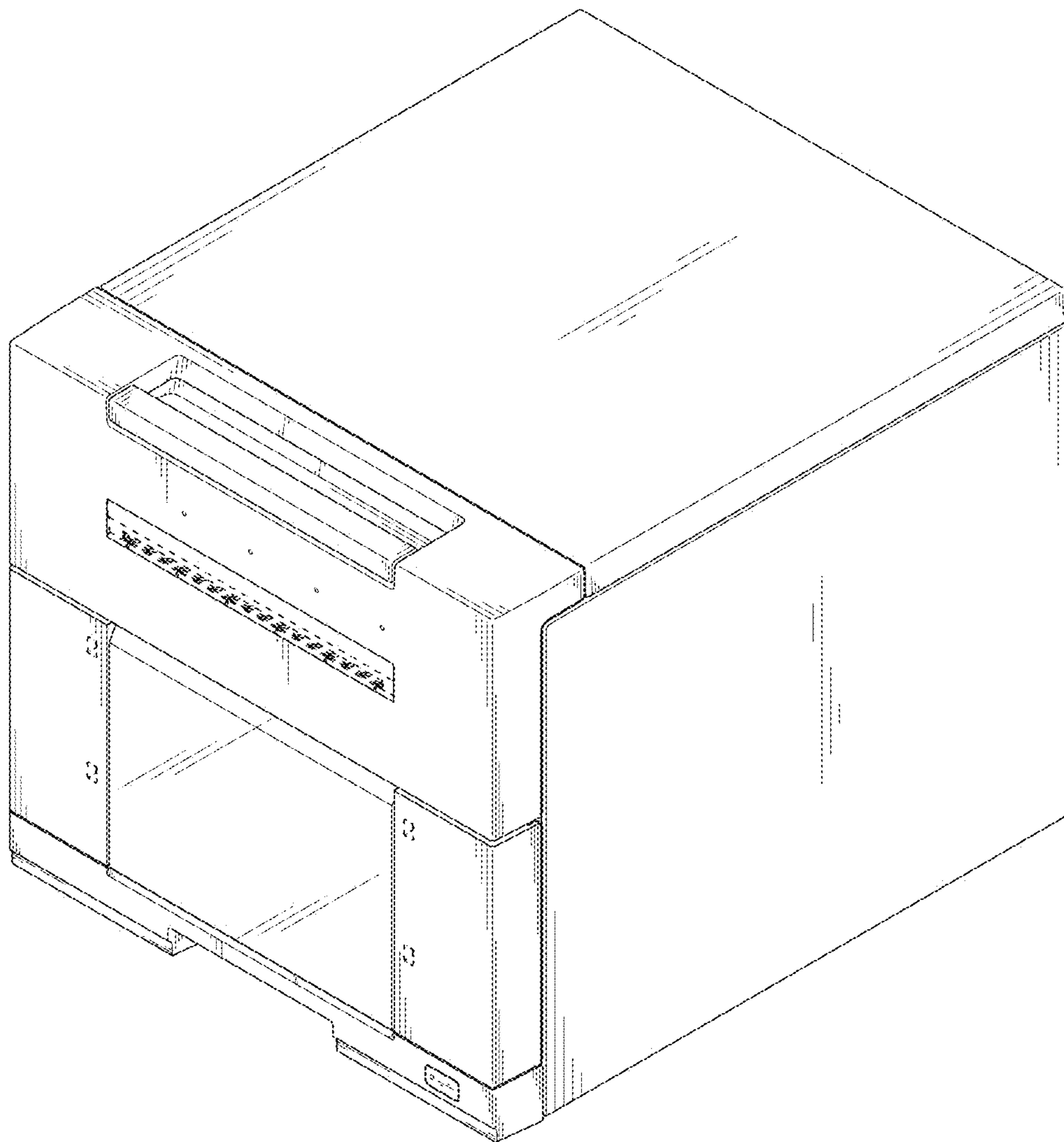


Fig.2

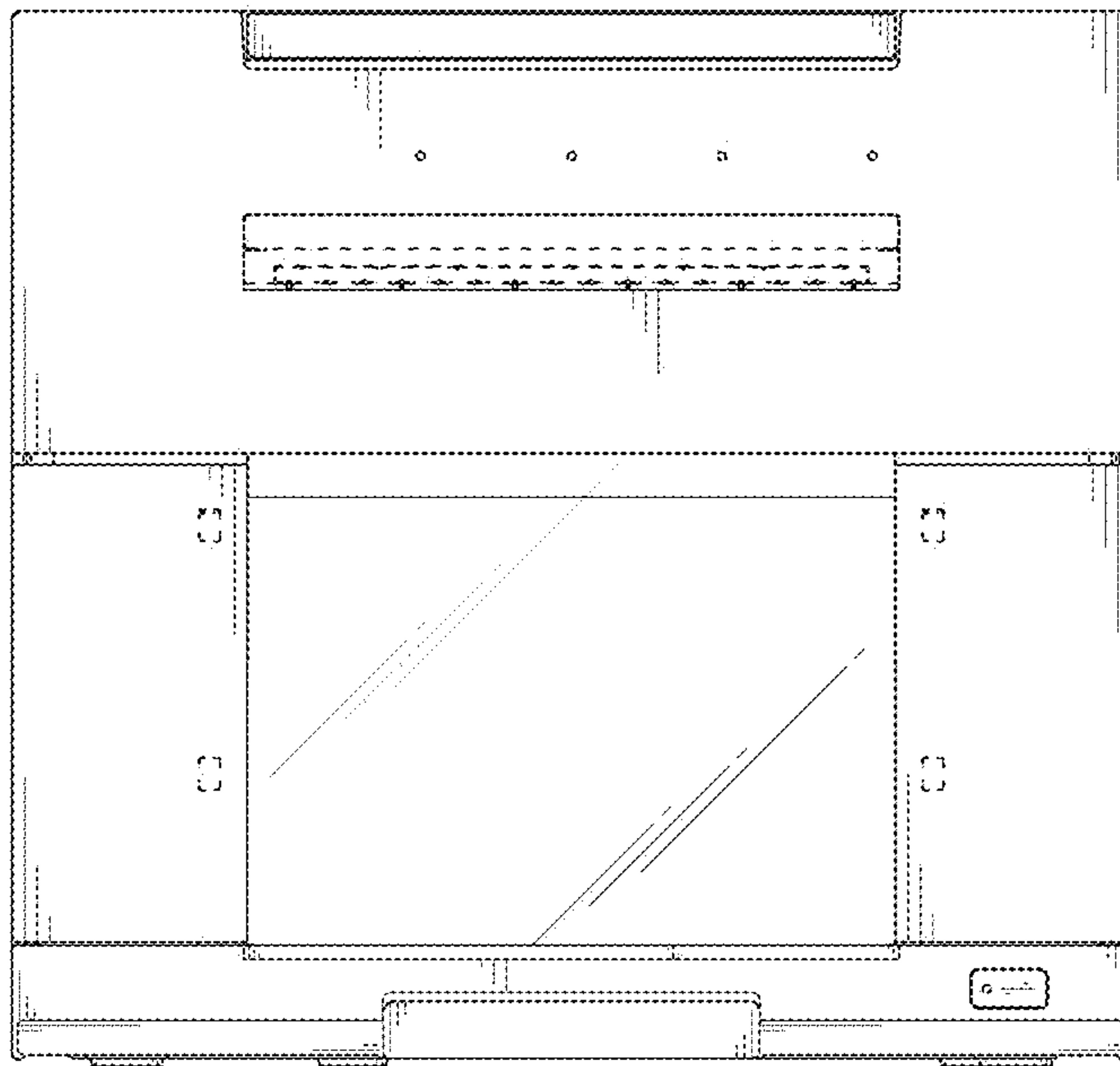


Fig.3

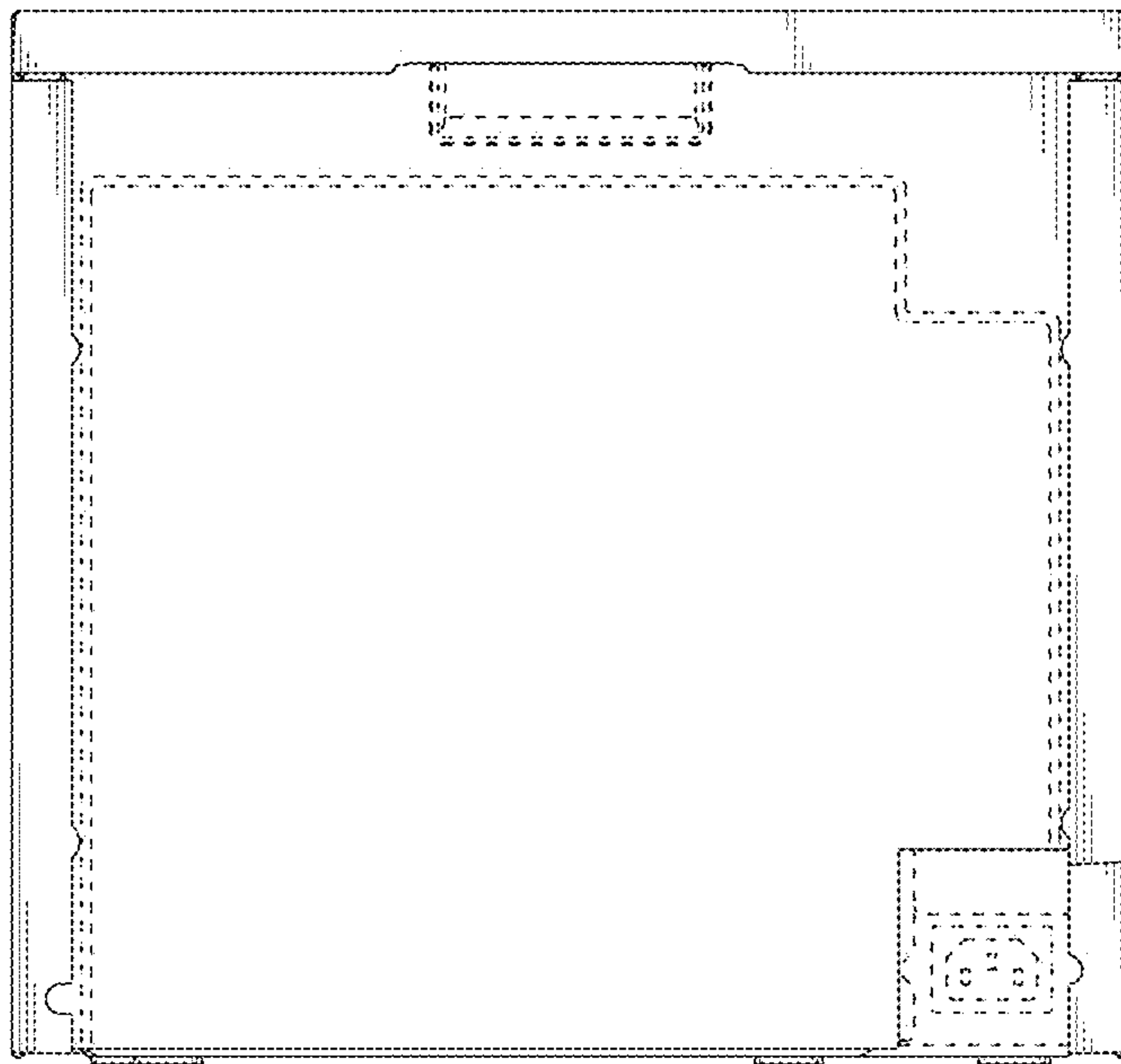


Fig.4

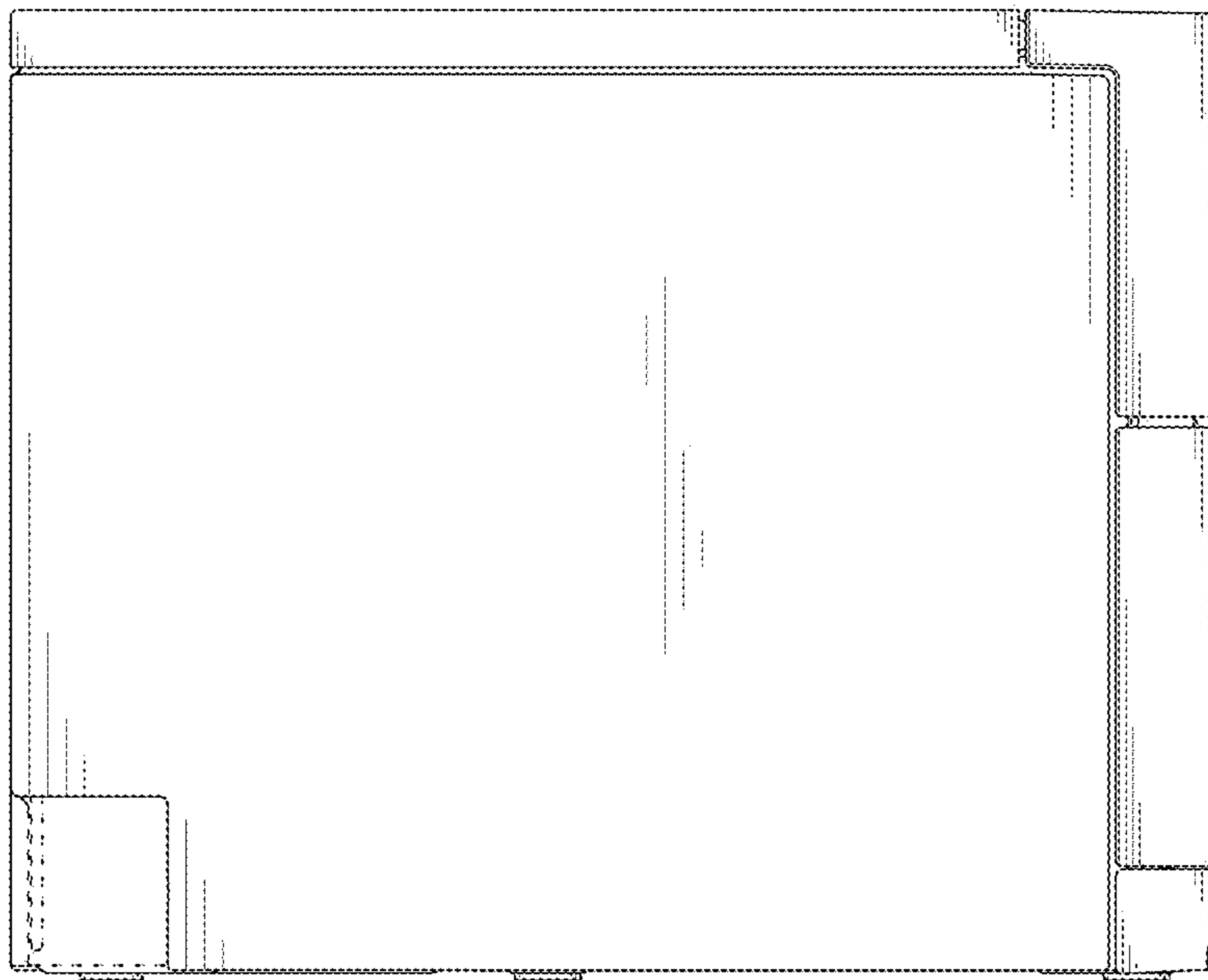


Fig.5

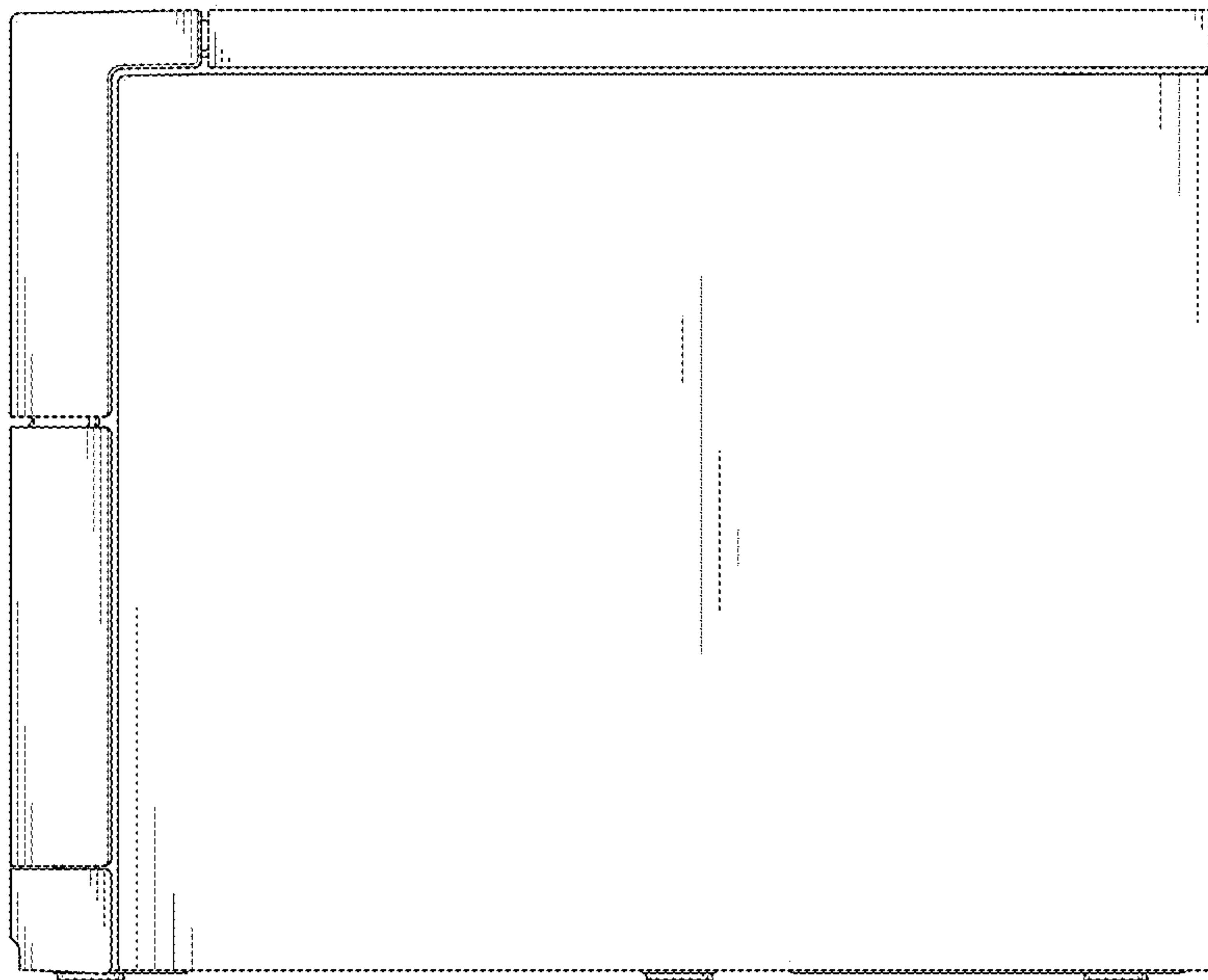


Fig.6

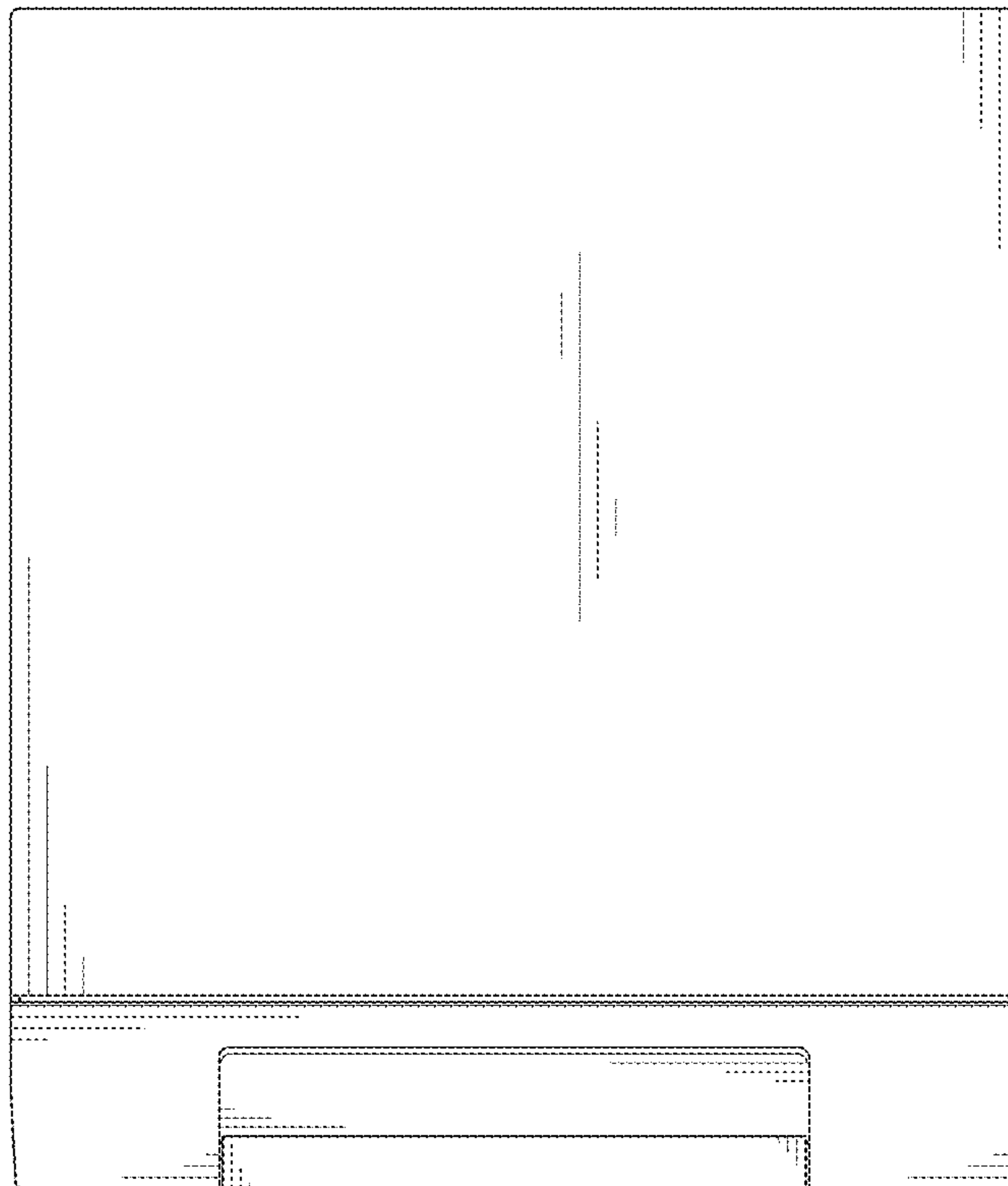


Fig. 7

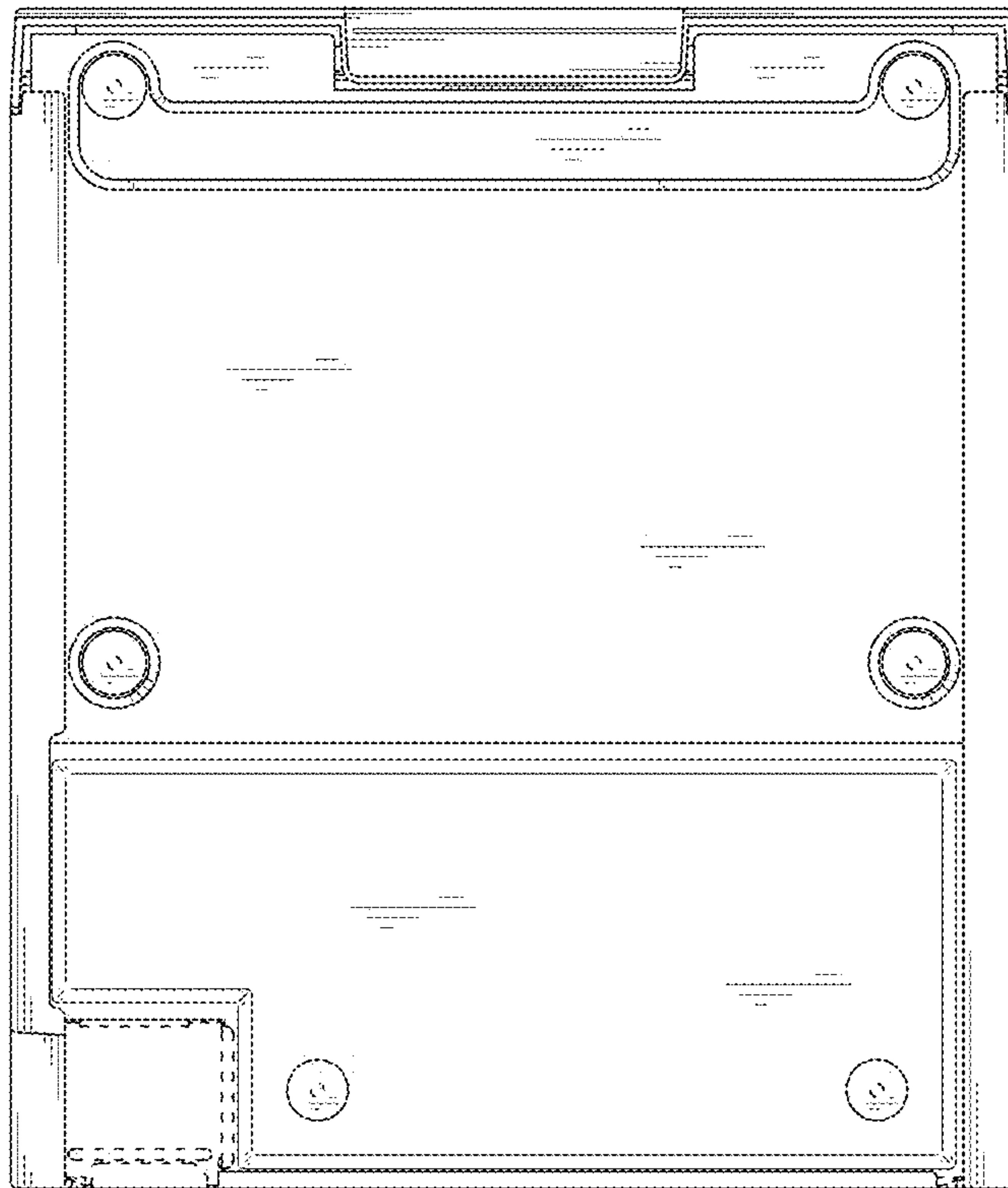


Fig.8

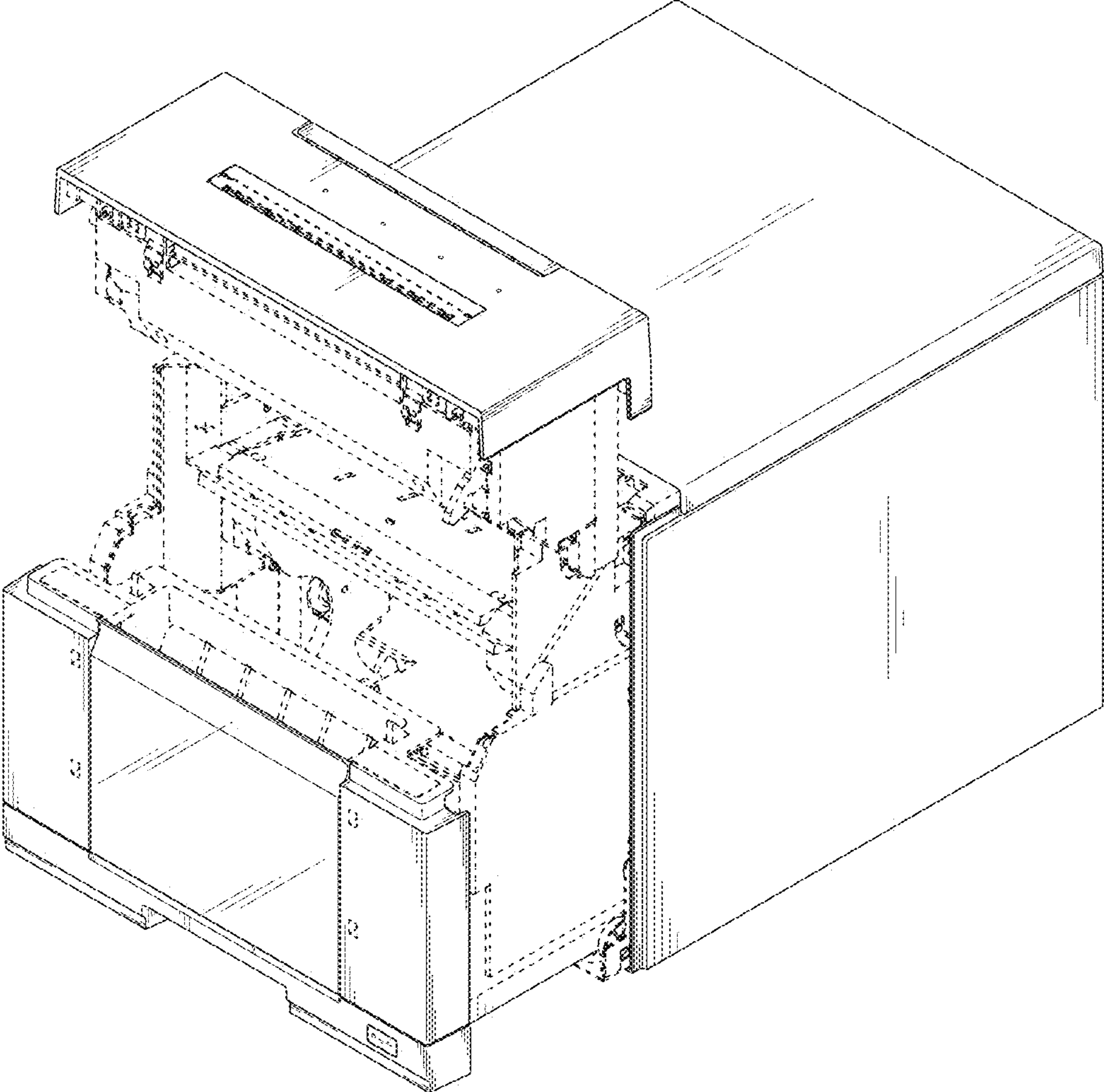


Fig. 9

