



US00D892923S

(12) **United States Design Patent**
Urabe et al.

(10) **Patent No.:** **US D892,923 S**

(45) **Date of Patent:** **** Aug. 11, 2020**

(54) **PRINTER**

(71) Applicant: **OKI DATA CORPORATION**, Tokyo (JP)

(72) Inventors: **Tomoya Urabe**, Tokyo (JP); **Naoki Kanzawa**, Tokyo (JP); **Takao Inoue**, Tokyo (JP); **Morihito Saigusa**, Tokyo (JP); **Katsuhiko Yamaguchi**, Tokyo (JP)

(73) Assignee: **OKI DATA CORPORATION**, Tokyo (JP)

(**) Term: **15 Years**

(21) Appl. No.: **29/664,052**

(22) Filed: **Sep. 21, 2018**

(30) **Foreign Application Priority Data**

Mar. 30, 2018 (JP) 2018-007161

(51) **LOC (12) Cl.** **14-02**

(52) **U.S. Cl.**
USPC **D18/50**

(58) **Field of Classification Search**
USPC D18/59, 55, 50, 53, 54, 56, 36, 37, 38, D18/39, 40, 41, 45, 49; D14/121, 301, D14/307
CPC H04N 1/00204; H04N 1/00249; H04N 1/00278; G06K 15/12; G06K 15/14; B41J 3/00; B41J 3/28; B41J 3/445; B41J 3/46
See application file for complete search history.

(56) **References Cited**

U.S. PATENT DOCUMENTS

D210,752 S * 4/1968 Austin D18/36
D250,144 S * 10/1978 Coppola D18/54
D326,110 S * 5/1992 Tashiro D18/55

D449,852 S * 10/2001 Sugimoto D18/14
D527,413 S * 8/2006 Delaney D18/50
D608,821 S * 1/2010 Tomono D18/50
D641,039 S * 7/2011 Kimura D18/55
D660,348 S * 5/2012 Kimura D18/50
D667,872 S * 9/2012 Suzuki D18/50
D701,561 S * 3/2014 Jihoon D18/50
D703,264 S * 4/2014 Shibuya D18/50
D706,341 S * 6/2014 Kano D18/14

(Continued)

OTHER PUBLICATIONS

Office Equipment Solutions Inc. Link: <https://oesquebec.com/en/oki-multifunction/oik-es8473-colour/>. Visited Aug. 1, 2019. Multifunction Colour Printer—OKI—ES8473. (Year: 2019).*

Primary Examiner — Lauren D McVey

(74) *Attorney, Agent, or Firm* — Ladas & Parry LLP

(57) **CLAIM**

The ornamental design for a printer, as shown and described.

DESCRIPTION

FIG. 1 is a top plan view of a printer showing my new design;

FIG. 2 is a right-side elevational view thereof;

FIG. 3 is a rear elevational view thereof;

FIG. 4 is a rear perspective view thereof;

FIG. 5 is a left-side elevational view thereof;

FIG. 6 is a front elevational view thereof;

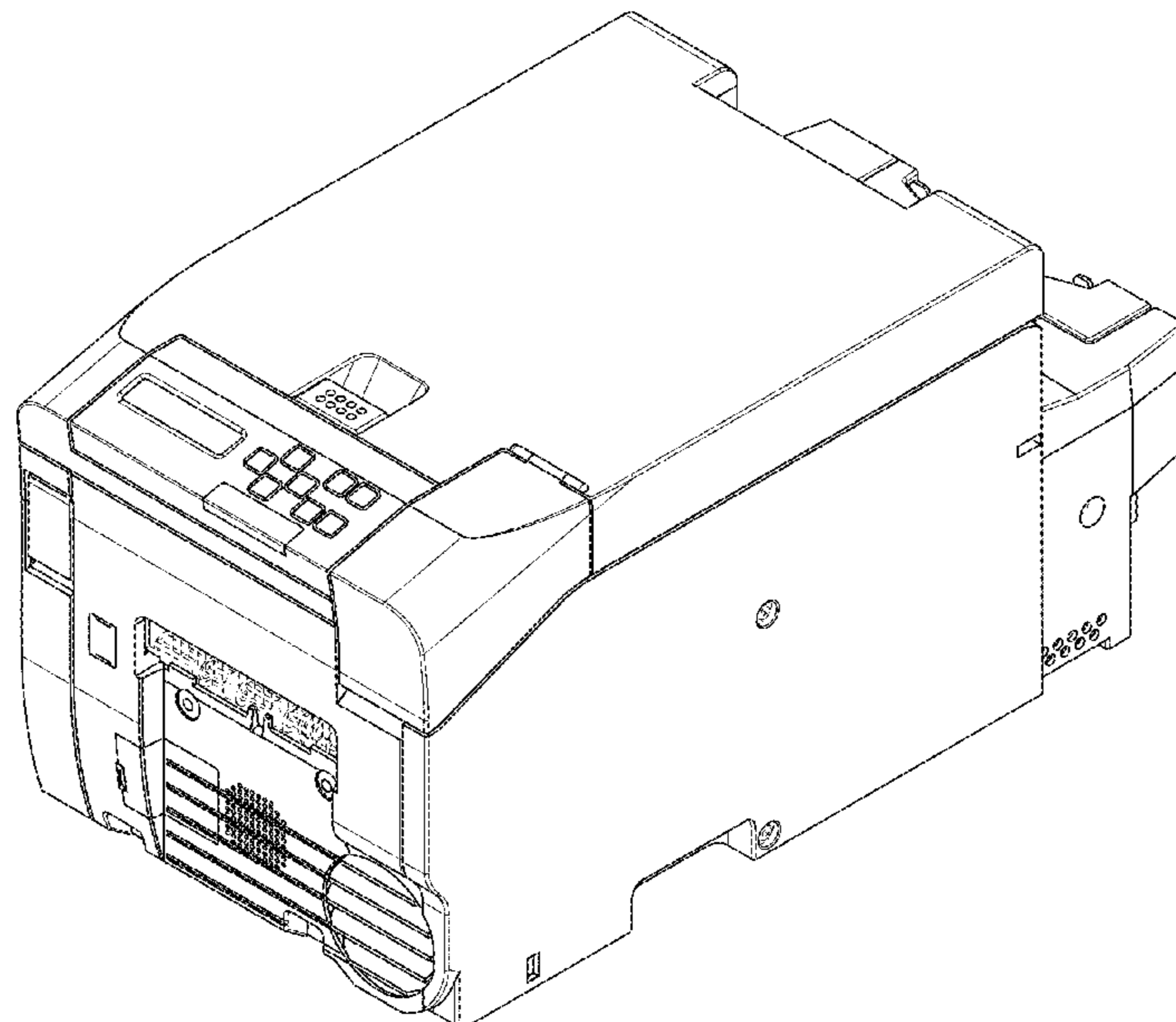
FIG. 7 is a front and right side perspective view thereof; and,

FIG. 8 is a bottom plan view thereof.

The broken lines immediately adjacent to the claim depict the bounds of the claimed design, while all other broken lines are directed to environment. The broken lines form no part of the claimed design.

The wire frame lines shown throughout the views indicate surface contour.

1 Claim, 8 Drawing Sheets



(56)

References Cited

U.S. PATENT DOCUMENTS

2003/0170064 A1 * 9/2003 Hetzer B41J 2/17503
400/693

* cited by examiner

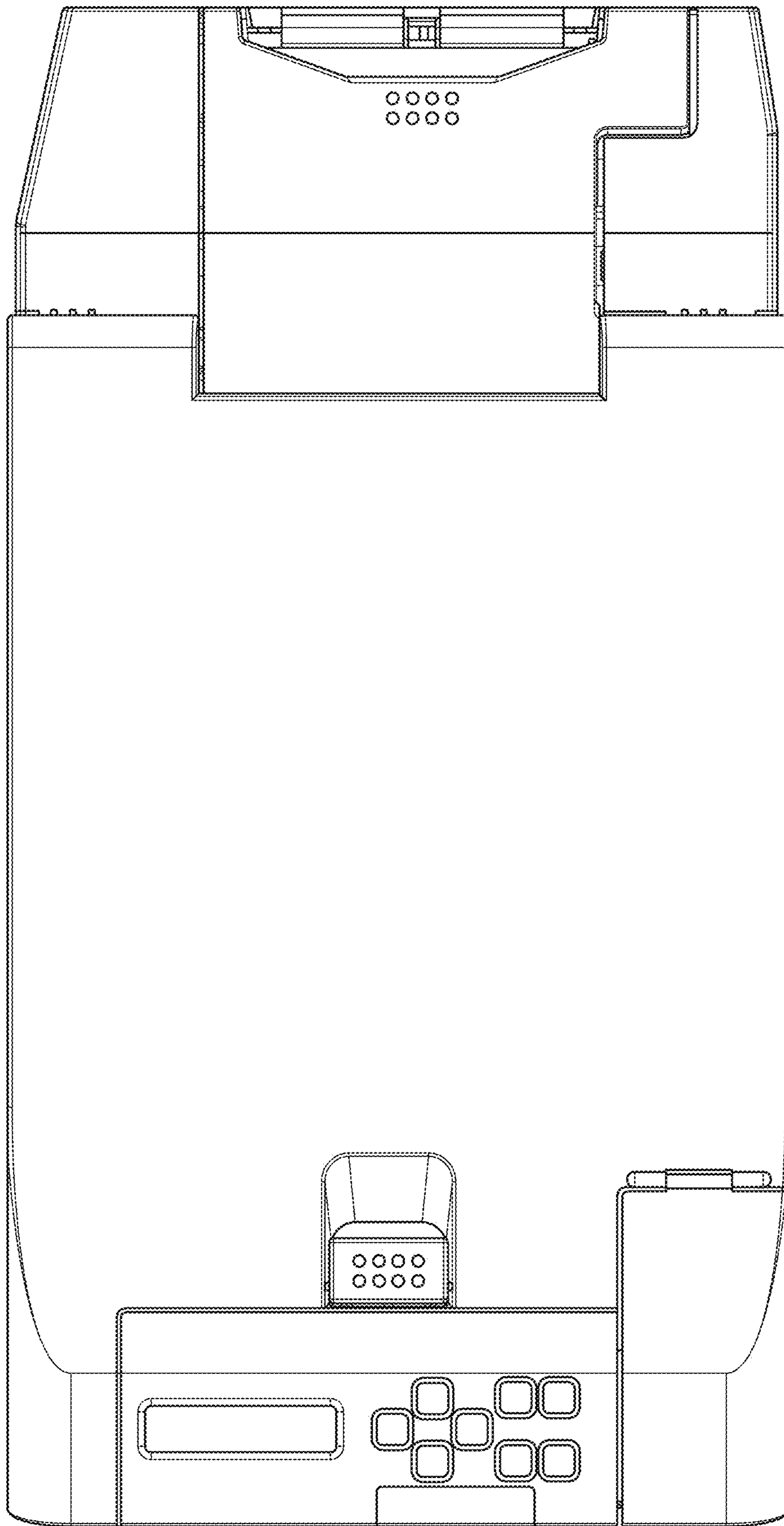


FIG. 1

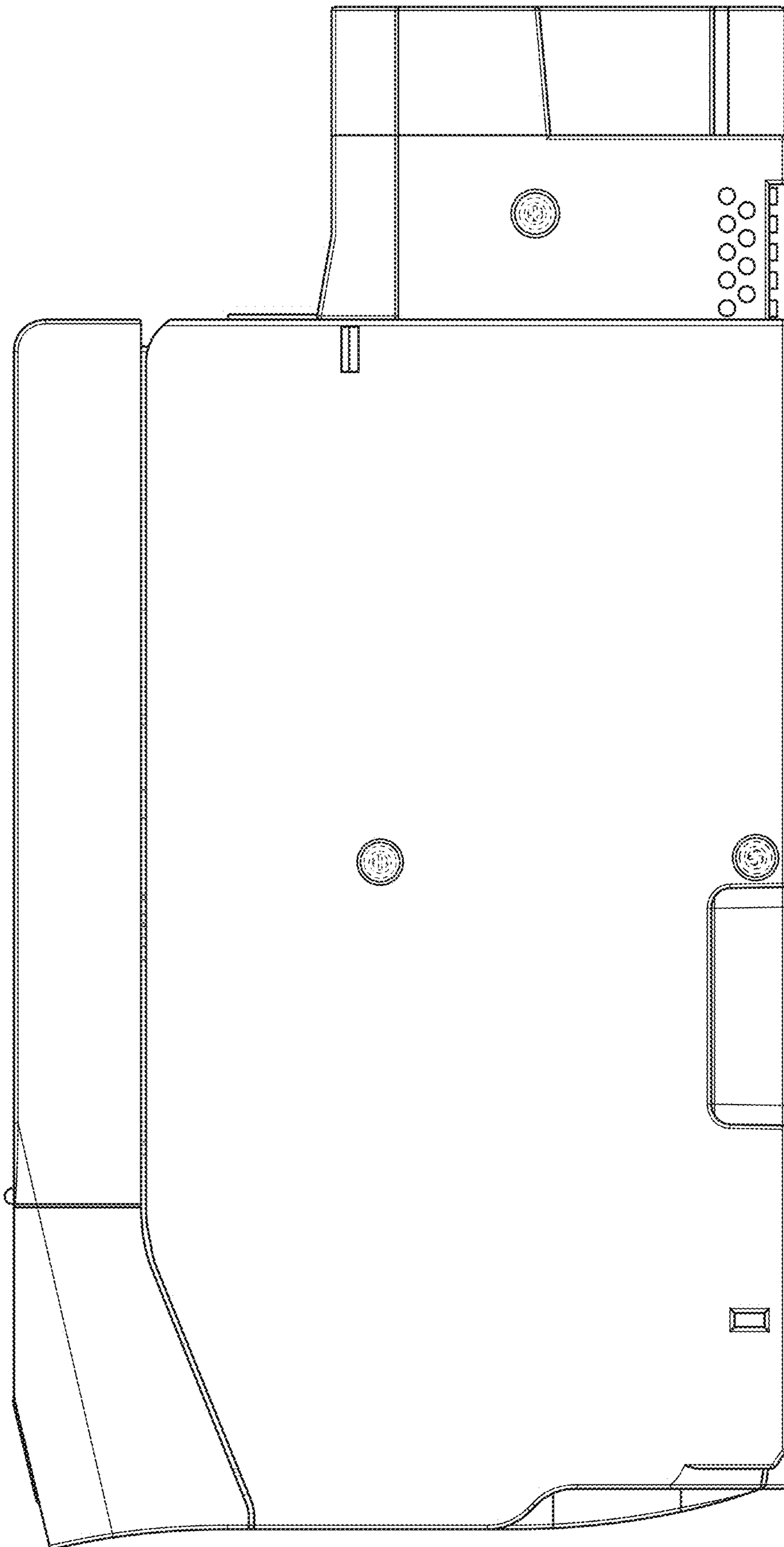


FIG. 2

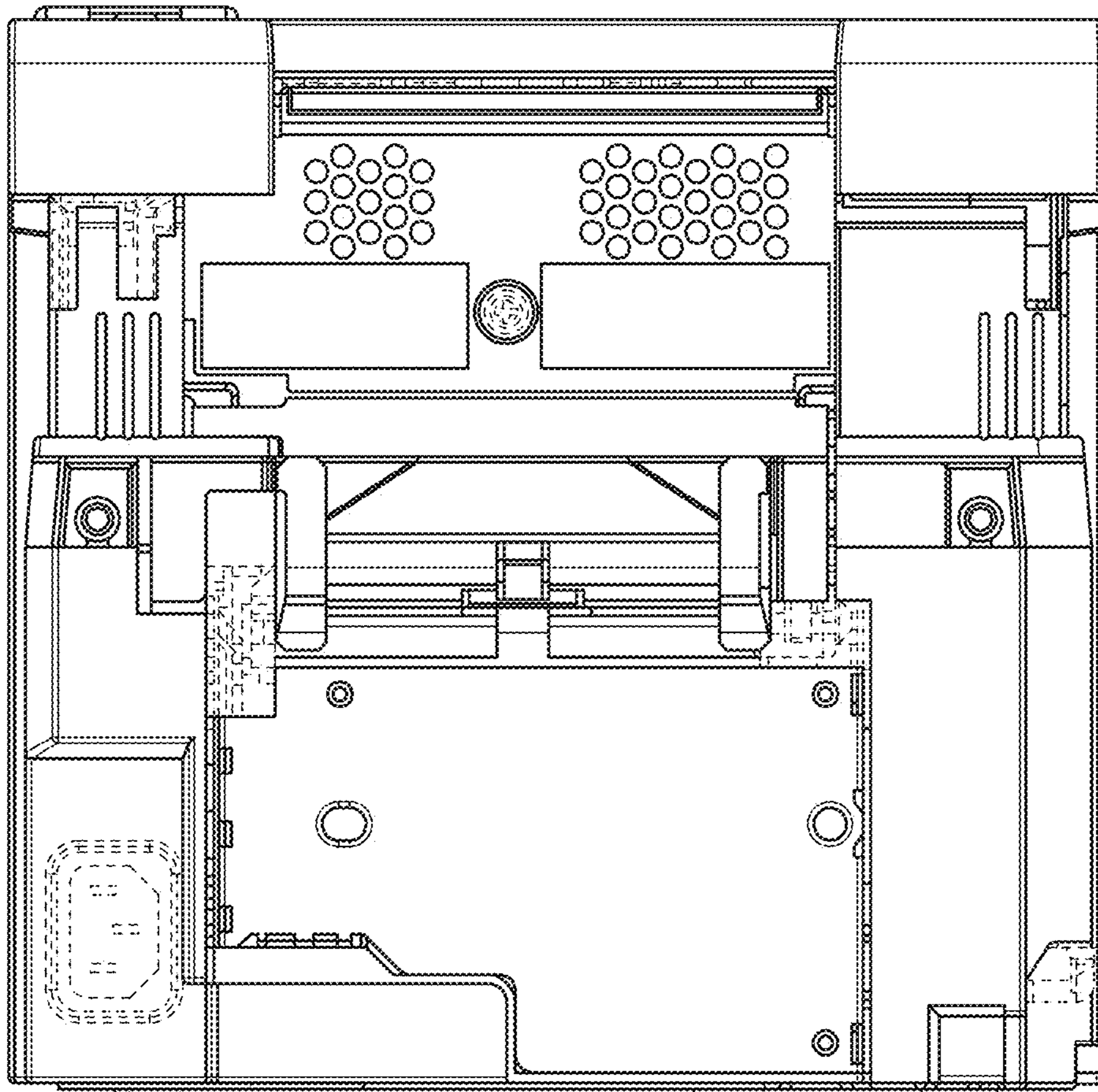


FIG. 3

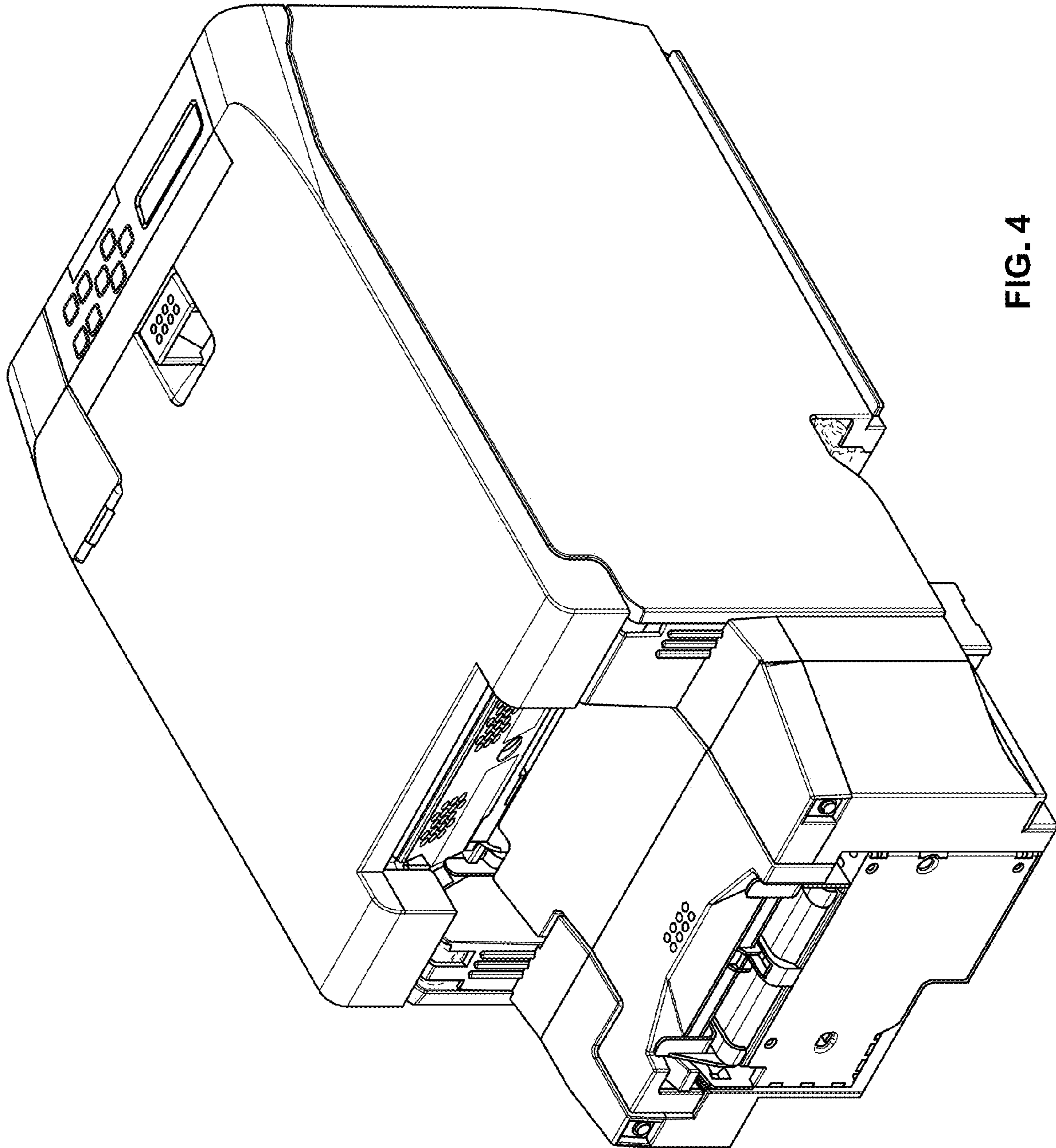


FIG. 4

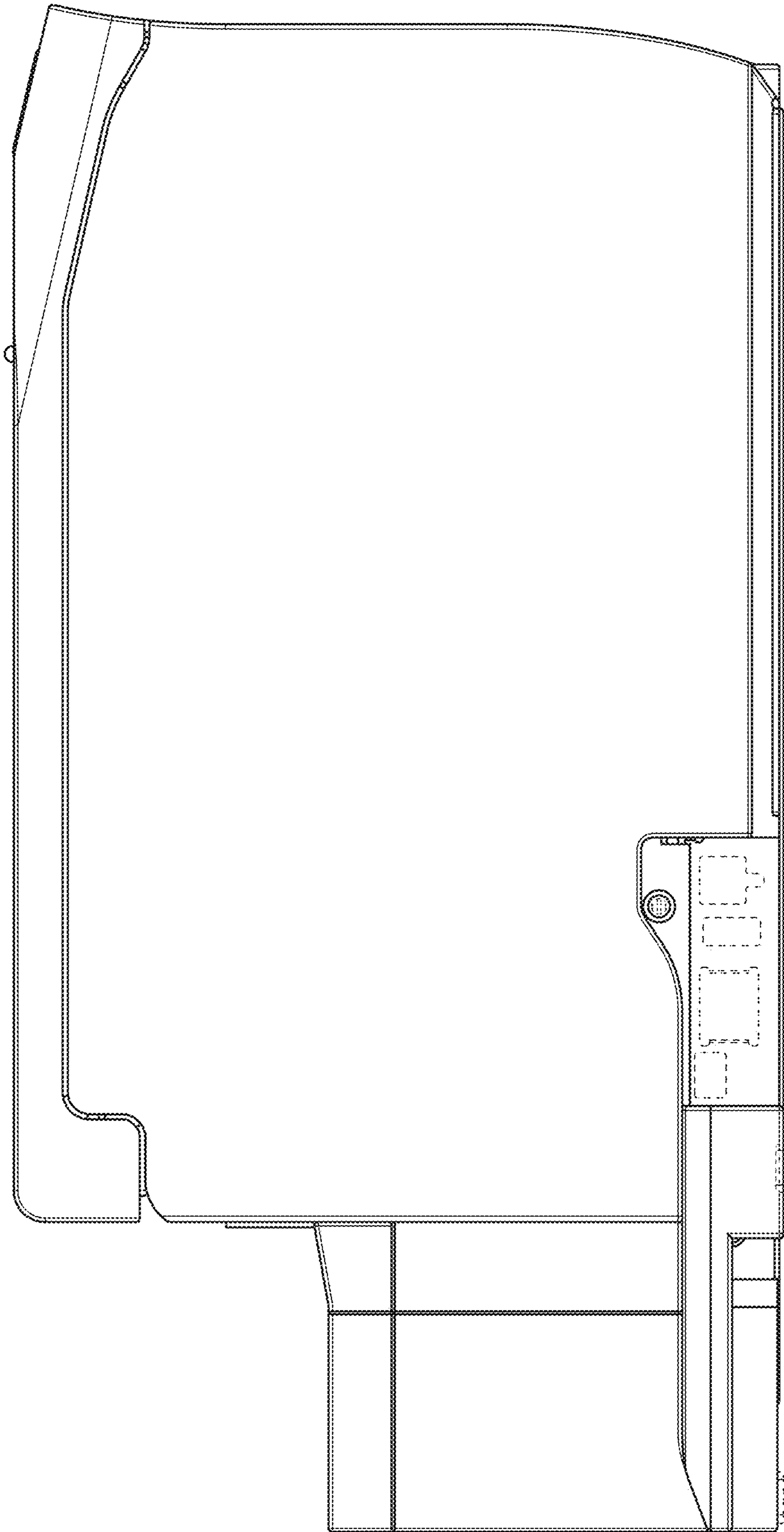


FIG. 5

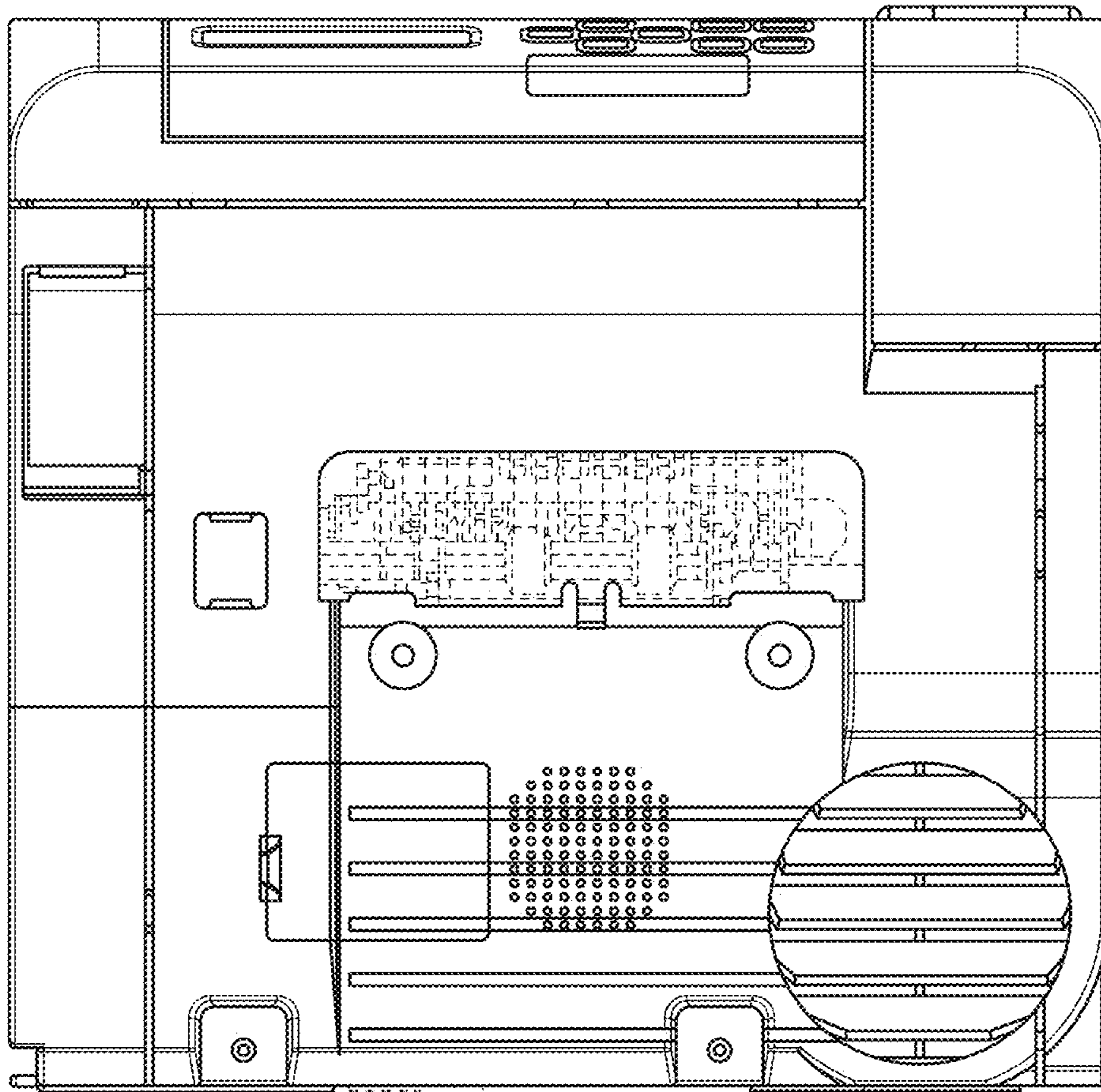


FIG. 6

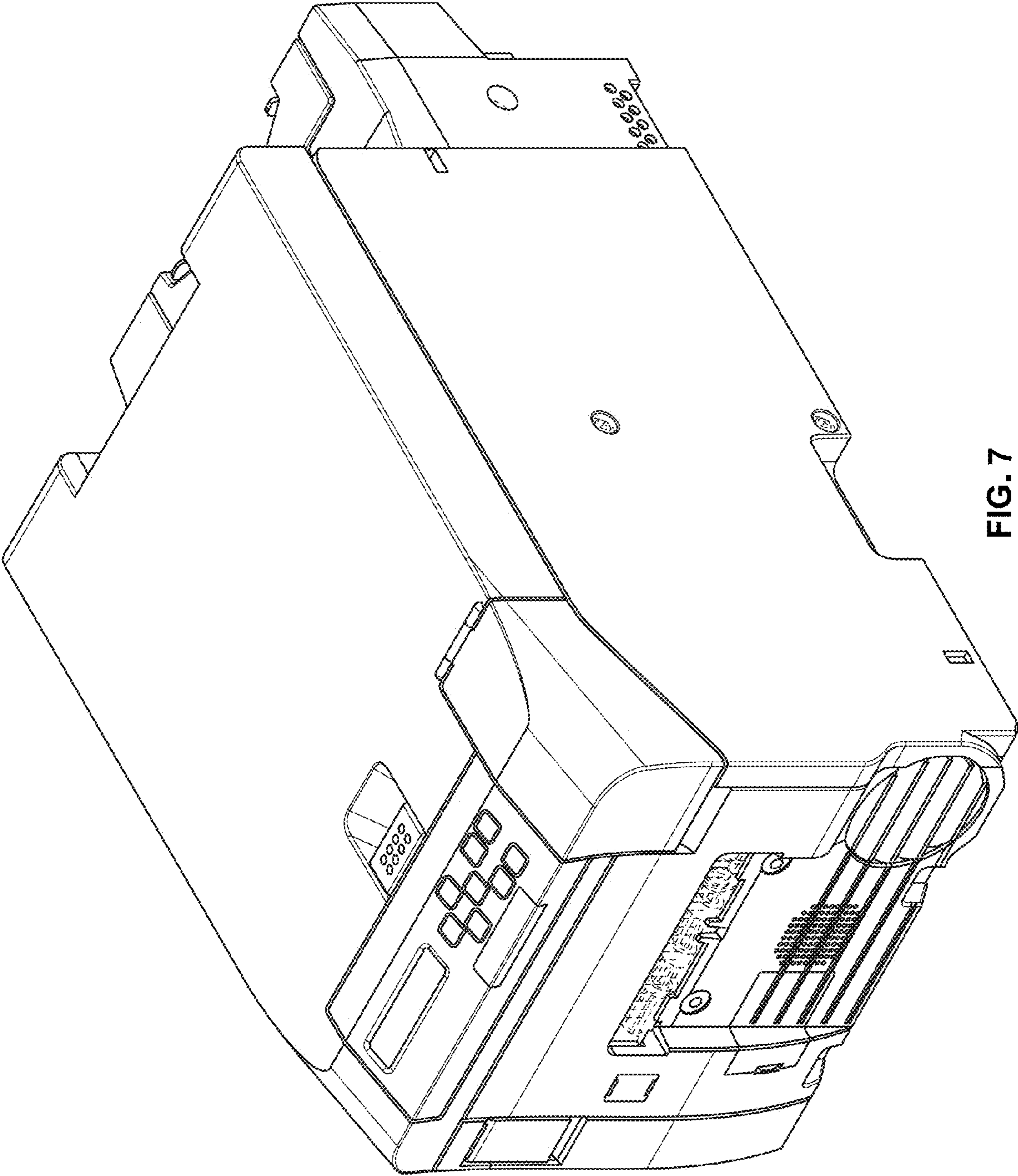


FIG. 7

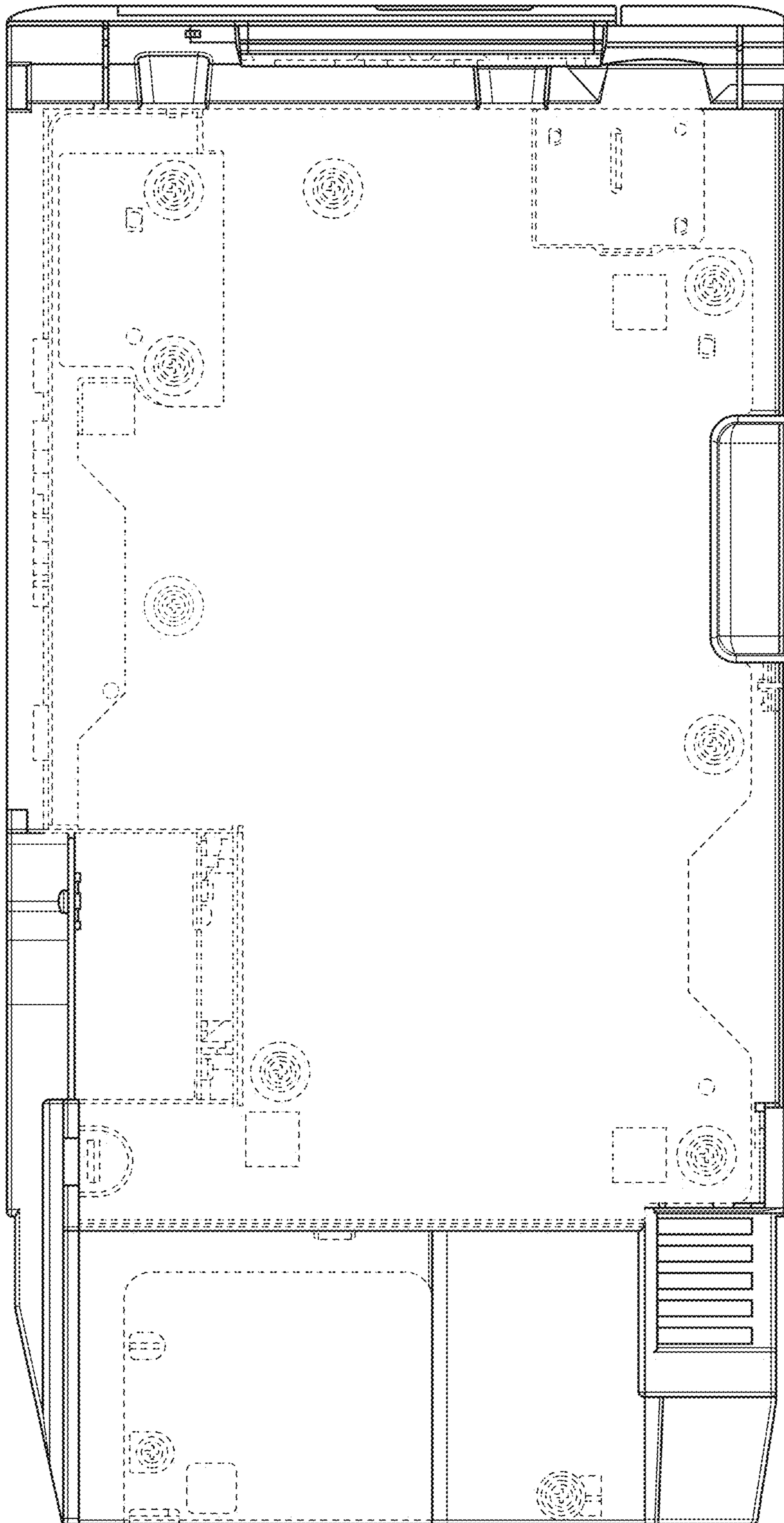


FIG. 8