



US00D892921S

(12) **United States Design Patent**
Ushikubo et al.

(10) **Patent No.:** **US D892,921 S**
(45) **Date of Patent:** **** Aug. 11, 2020**

(54) **TONER CARTRIDGE**

(71) Applicant: **OKI DATA CORPORATION**, Tokyo (JP)

(72) Inventors: **Junichi Ushikubo**, Tokyo (JP);
Tatsuhiko Shimomura, Tokyo (JP);
Masashi Fujii, Tokyo (JP); **Shun Hatanaka**, Tokyo (JP)

(73) Assignee: **OKI DATA CORPORATION**, Tokyo (JP)

(**) Term: **15 Years**

(21) Appl. No.: **29/663,683**

(22) Filed: **Sep. 18, 2018**

(30) **Foreign Application Priority Data**

Mar. 30, 2018 (JP) 2018-007162

(51) **LOC (12) Cl.** **16-03**

(52) **U.S. Cl.**
USPC **D18/43**

(58) **Field of Classification Search**
USPC D14/299, 301-303, 307, 332, 386,
D14/420-425, 432, 439, 441, 443, 447,
D14/462-471, 474, 480.5, 483-484;
D18/12, 14, 18-19, 36-41, 43-54, 55-59,
D18/54.1, 99

CPC .. G06K 15/12; G06K 15/14; B41J 3/00; B41J
3/28; B41J 11/00; B41J 11/58; B41J
15/12; B41J 15/042; G03G 15/00; G03G
15/0142; H04N 1/00129; H04N 1/00135;
H04N 1/00204; H04N 1/00278

See application file for complete search history.

(56) **References Cited**

U.S. PATENT DOCUMENTS

D353,615 S * 12/1994 Agata D18/40
D390,259 S * 2/1998 Inoue 347/86

D400,573 S * 11/1998 Inoue D18/56
D404,063 S * 1/1999 Komatsu D18/43
D490,102 S * 5/2004 Umeyama 347/86
D490,846 S * 6/2004 Suzuki D18/56
D491,221 S * 6/2004 Umeyama D18/56
D492,962 S * 7/2004 Suzuki D18/56
D500,073 S * 12/2004 Rousseau D18/40
D540,855 S * 4/2007 Umezawa 347/86
D541,337 S * 4/2007 Hattori 347/86
D621,871 S * 8/2010 Maeshima D18/43
D656,985 S * 4/2012 Kanbe D18/56
D659,188 S * 5/2012 Kanbe D18/56
D678,405 S * 3/2013 Okuda D18/56
D733,794 S * 7/2015 Oda D18/43

* cited by examiner

Primary Examiner — Cathron C Brooks

Assistant Examiner — Andrew T Nemeth

(74) *Attorney, Agent, or Firm* — Ladas & Parry LLP

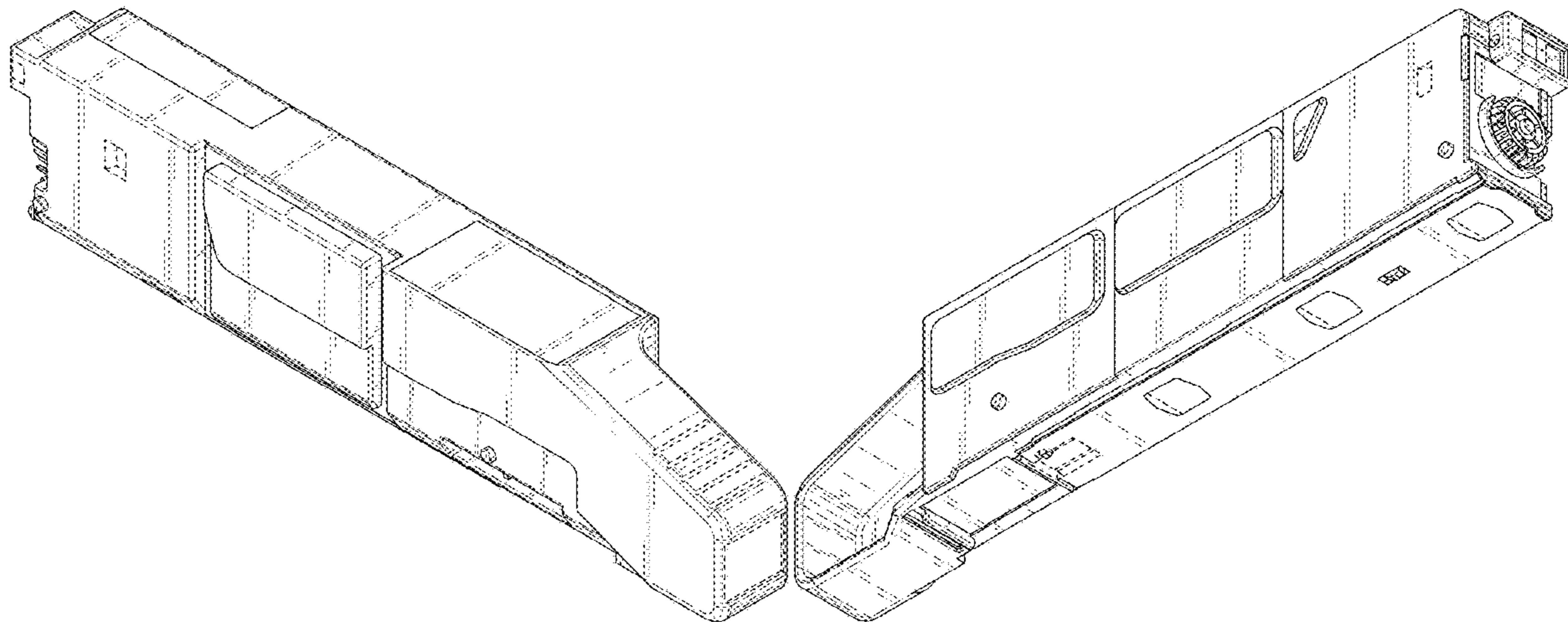
(57) **CLAIM**

We claim the ornamental design for a toner cartridge, as shown.

DESCRIPTION

FIG. 1 is a front elevational view of a toner cartridge showing our new design;
FIG. 2 is a rear elevational view thereof;
FIG. 3 is a right-side elevational view thereof;
FIG. 4 is a left-side elevational view thereof;
FIG. 5 is a top plan view thereof;
FIG. 6 is a bottom plan view thereof;
FIG. 7 is a front perspective view thereof; and,
FIG. 8 is a rear perspective view thereof.
The broken lines in the drawings illustrate portions of the toner cartridge that form no part of the claimed design.

1 Claim, 7 Drawing Sheets



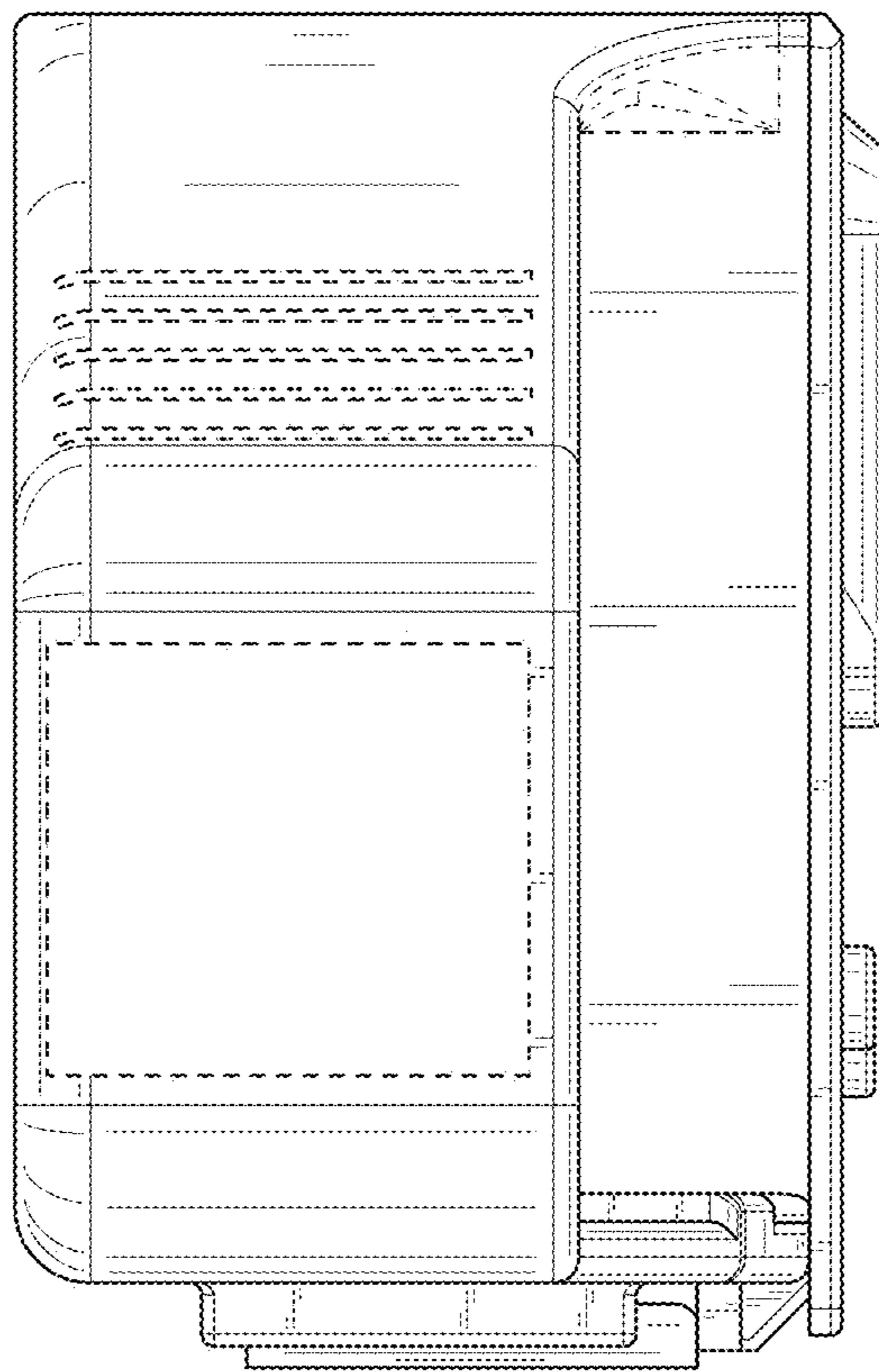


FIG. 1

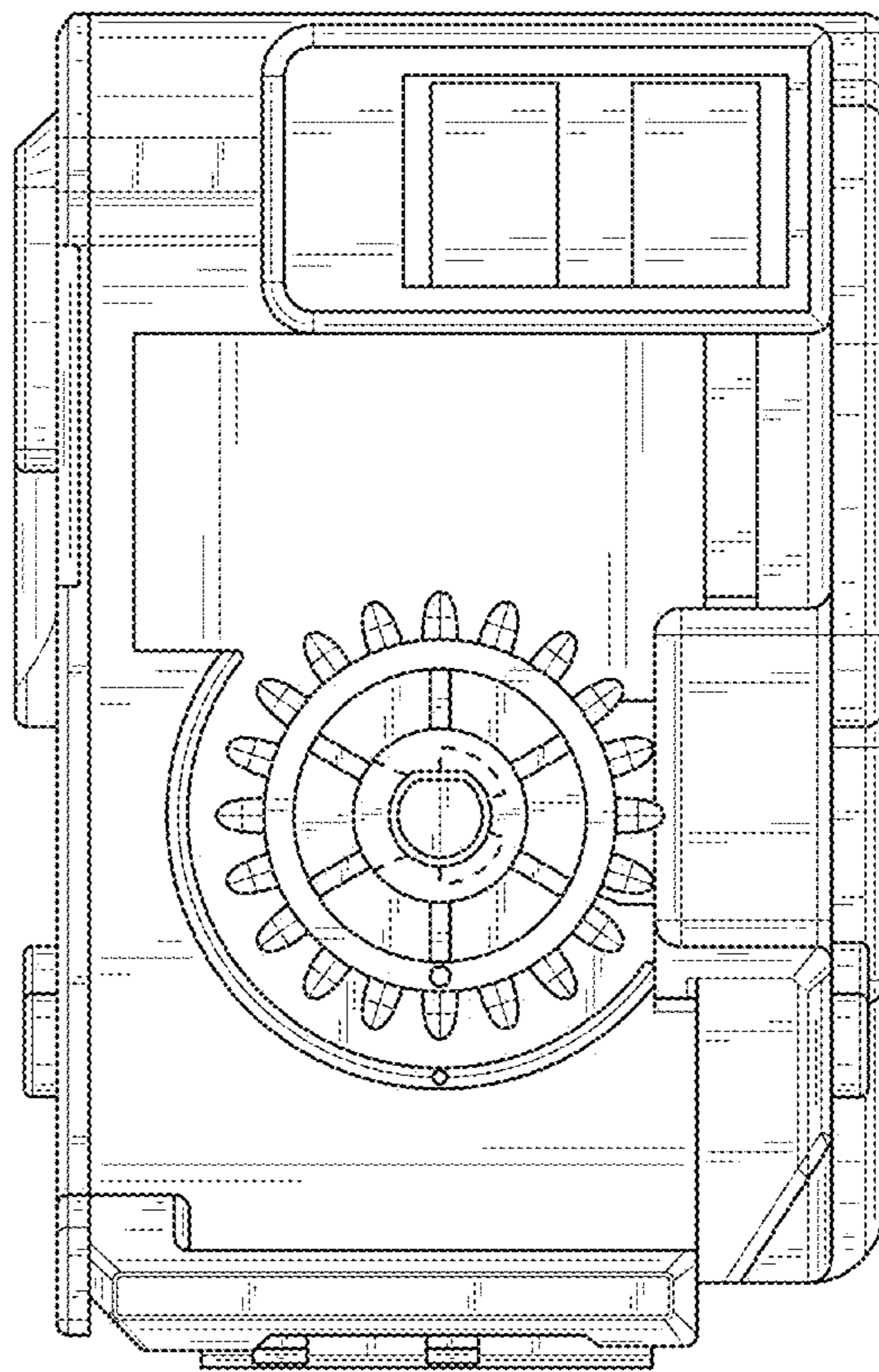


FIG. 2

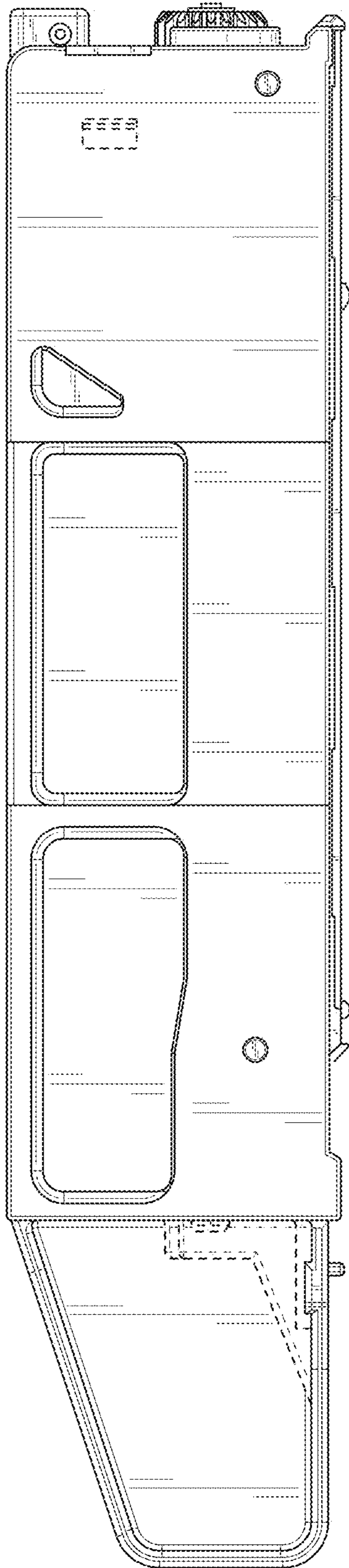


FIG. 3

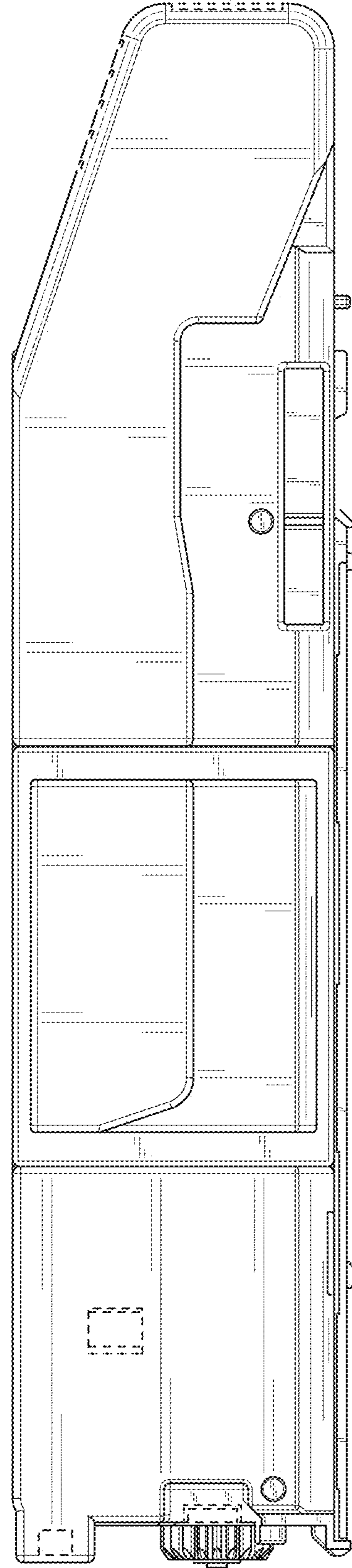


FIG. 4

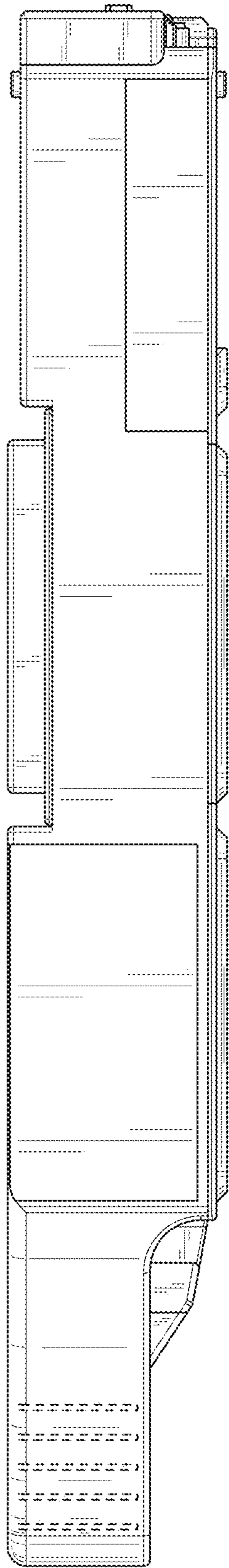


FIG. 5

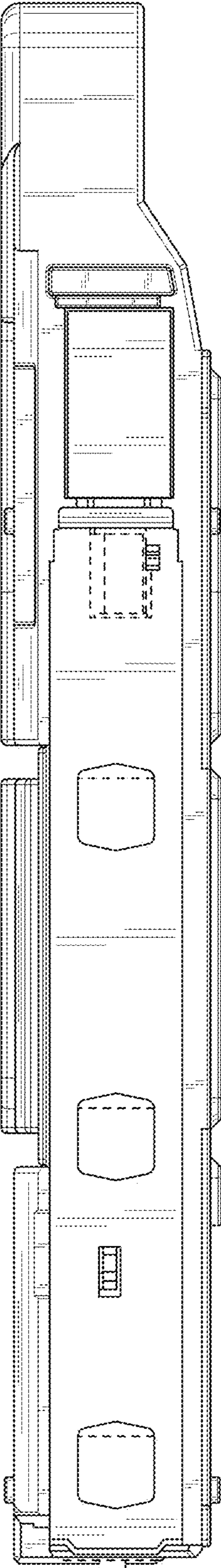


FIG. 6

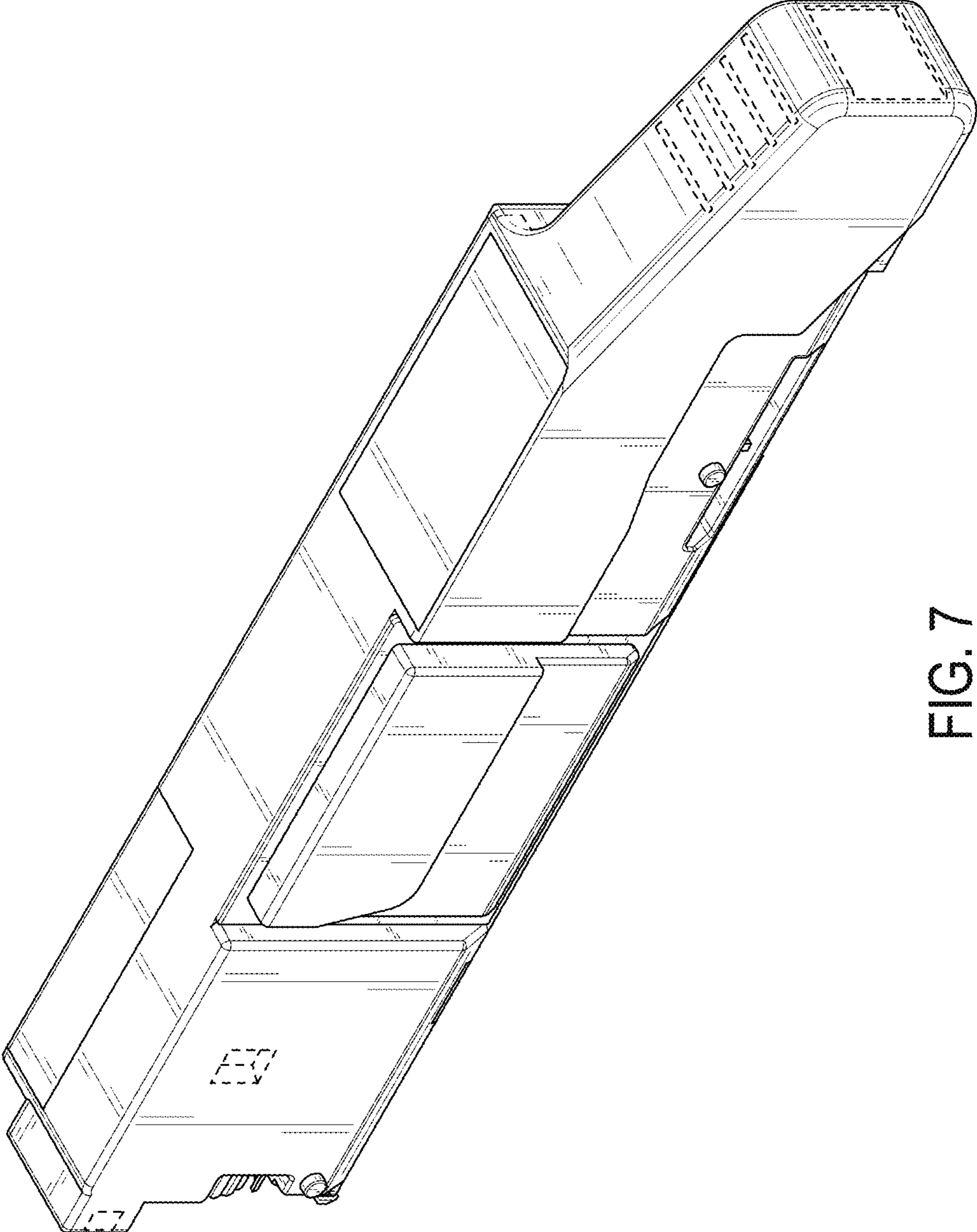


FIG. 7

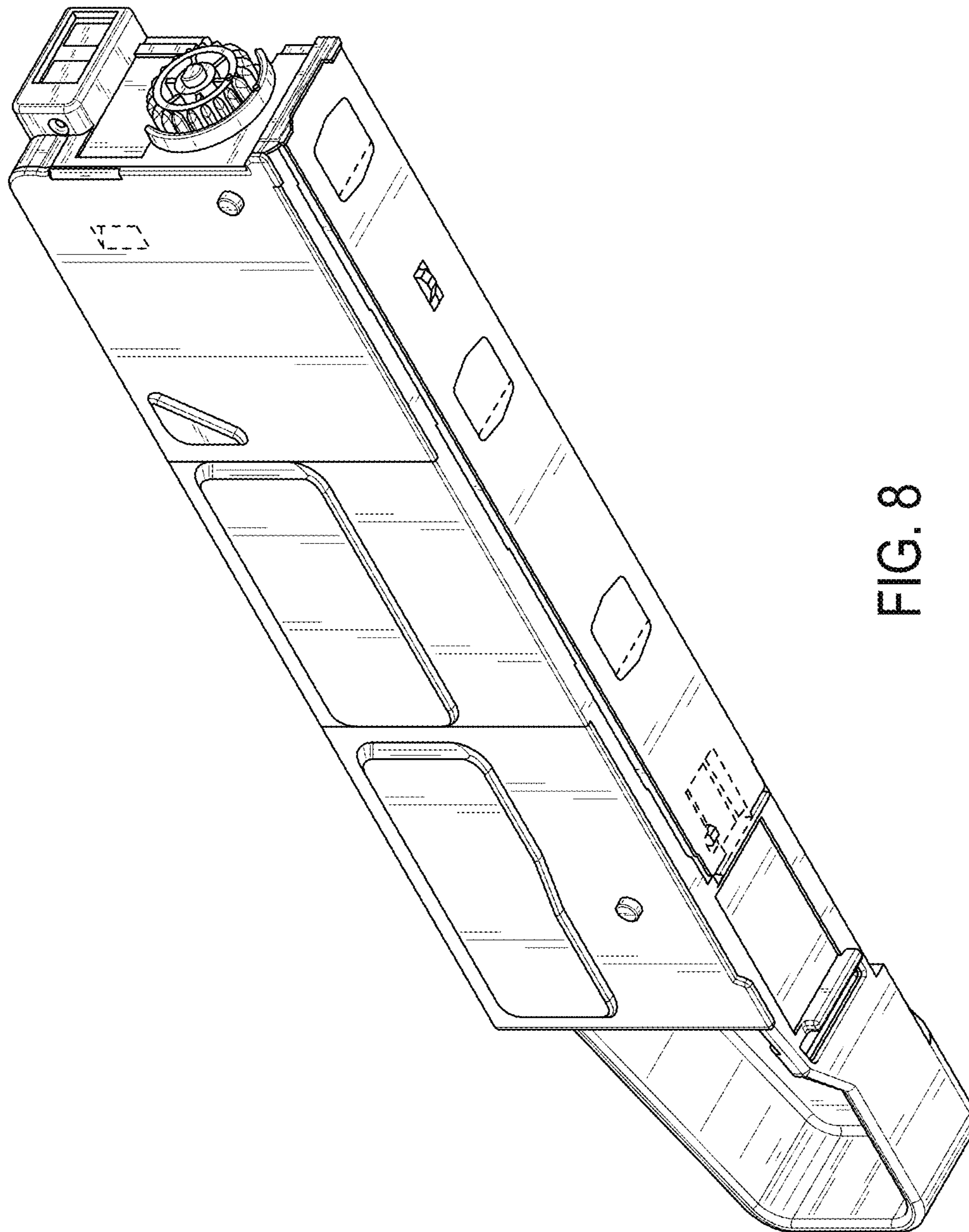


FIG. 8