

US00D892919S

(12) **United States Design Patent**  
**Nakatani**

(10) **Patent No.:** **US D892,919 S**

(45) **Date of Patent:** **\*\* Aug. 11, 2020**

(54) **PRINTER**

(71) Applicants: **CITIZEN WATCH CO., LTD.**,  
Nishitokyo-shi, Tokyo (JP); **CITIZEN**  
**SYSTEMS JAPAN CO., LTD.**,  
Nishitokyo-shi, Tokyo (JP)

(72) Inventor: **Takeshi Nakatani**, Kawasaki (JP)

(73) Assignees: **CITIZEN WATCH CO., LTD.**, Tokyo  
(JP); **CITIZEN SYSTEMS JAPAN**  
**CO., LTD.**, Tokyo (JP)

(\*\*) Term: **15 Years**

(21) Appl. No.: **29/638,367**

(22) Filed: **Feb. 27, 2018**

(30) **Foreign Application Priority Data**

Sep. 1, 2017 (JP) ..... 2017-019012

(51) **LOC (12) Cl.** ..... **18-99**

(52) **U.S. Cl.**  
USPC ..... **D18/19; D18/50**

(58) **Field of Classification Search**  
USPC ..... D18/14, 19, 50, 53, 54, 55, 56, 59, 36,  
D18/37, 38, 39, 40, 41, 45; D14/301,  
D14/307, 121; D19/65, 66, 67, 68, 69,  
D19/70, 71  
CPC ..... H04N 1/00204; H04N 1/00249; H04N  
1/00278; G06K 15/12; G06K 15/14; B41J  
3/00; B41J 3/28; B41J 3/445; B41J 3/46  
See application file for complete search history.

(56) **References Cited**

**U.S. PATENT DOCUMENTS**

D172,906 S \* 8/1954 Sabel et al. .... D18/37  
D528,587 S \* 9/2006 Nakaeda ..... D18/19  
D602,019 S \* 10/2009 Wang ..... D14/356

D622,760 S \* 8/2010 Kimura ..... D18/50  
D641,039 S \* 7/2011 Kimura ..... D18/55  
D641,394 S \* 7/2011 Inada ..... D18/50  
D682,927 S \* 5/2013 Azegami ..... D18/50  
D711,463 S \* 8/2014 Costabeber ..... D14/300

(Continued)

**FOREIGN PATENT DOCUMENTS**

CN 3431357 3/2005  
CN 304072942 3/2017

(Continued)

**OTHER PUBLICATIONS**

Citizen Systems. Link: <http://www.citizen-systems.com/en/products/printer/label/cl-e300/>. Visited Jul. 17, 2019. CL-E300 desktop label printer. (Year: 2019).\*

(Continued)

*Primary Examiner* — Lauren D McVey

(74) *Attorney, Agent, or Firm* — RatnerPrestia

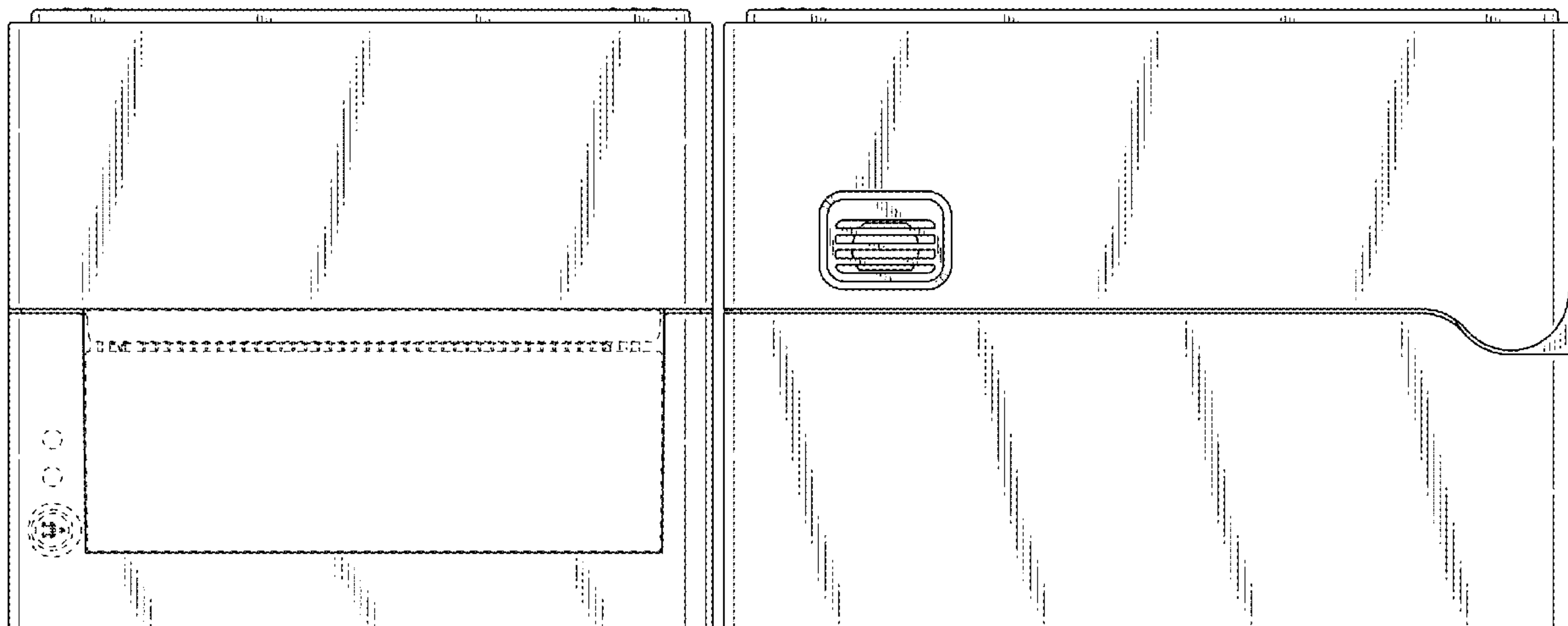
(57) **CLAIM**

The ornamental design for a printer, as shown and described.

**DESCRIPTION**

FIG. 1 is a perspective view of a printer showing my new design;  
FIG. 2 is a front view thereof;  
FIG. 3 is a left side elevational view thereof;  
FIG. 4 is a right side elevational view thereof;  
FIG. 5 is a rear elevational view thereof;  
FIG. 6 is a top plan view thereof; and,  
FIG. 7 is a bottom plan view thereof.  
The evenly spaced and dot-dash broken lines immediately adjacent to the shaded areas depict the bounds of the claimed design, while all other broken lines are directed to environment. The broken lines form no part of the claimed design.

**1 Claim, 5 Drawing Sheets**



(56)

**References Cited**

U.S. PATENT DOCUMENTS

D761,902 S \* 7/2016 Matsumoto ..... D18/50  
D785,084 S \* 4/2017 Azegami ..... D18/19  
D786,341 S \* 5/2017 Iwai ..... D18/19  
D815,198 S \* 4/2018 Faro ..... D18/50  
D842,711 S \* 3/2019 Katayama ..... D10/49

FOREIGN PATENT DOCUMENTS

EP 002236836-0001 5/2013  
JP D1548340 \* 4/2016

OTHER PUBLICATIONS

Line Thermal Printer Catalog, No. CT-S251, dated Jul. 8, 2015, 3 pages.

\* cited by examiner

FIG. 1

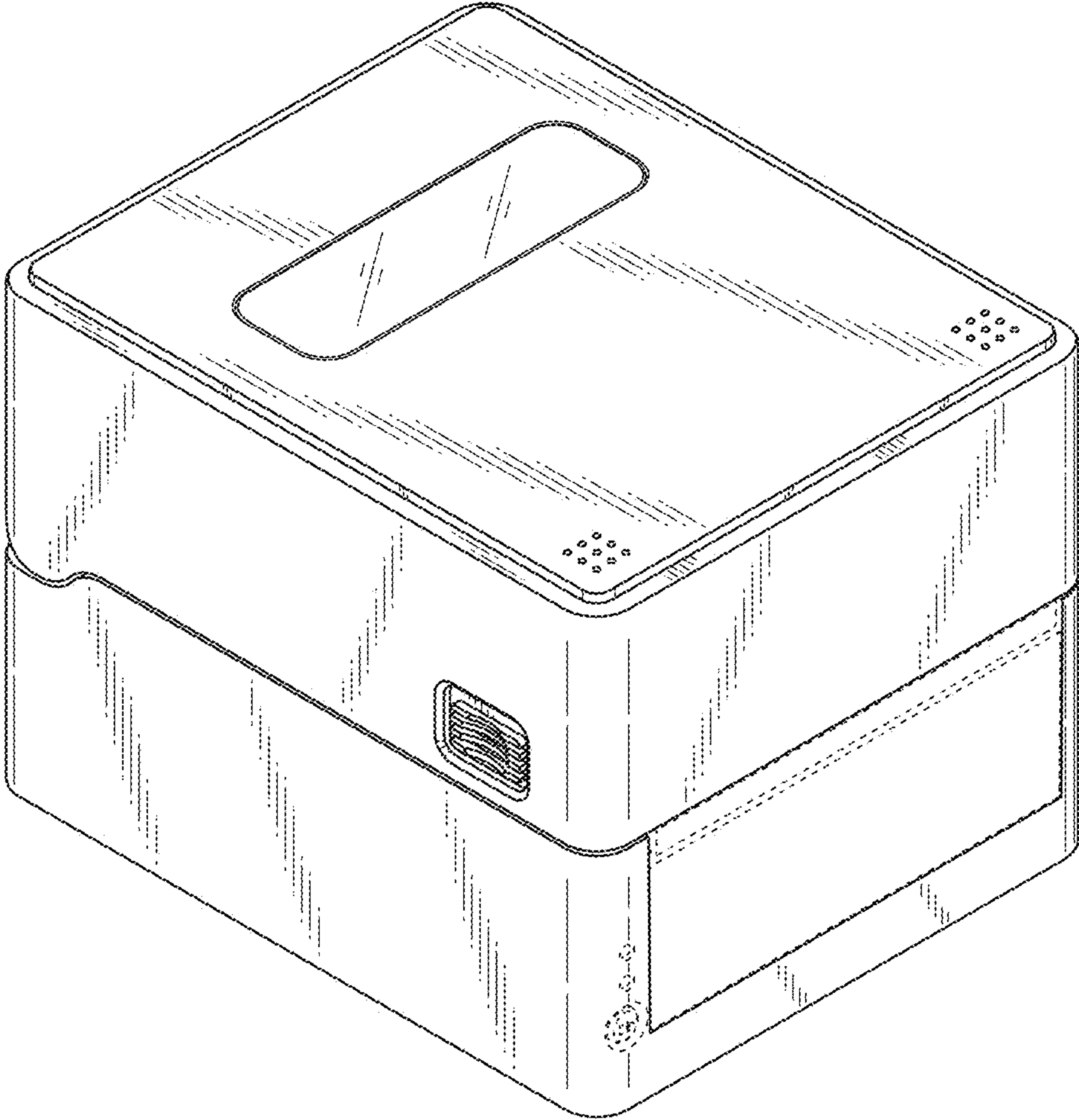


FIG. 2

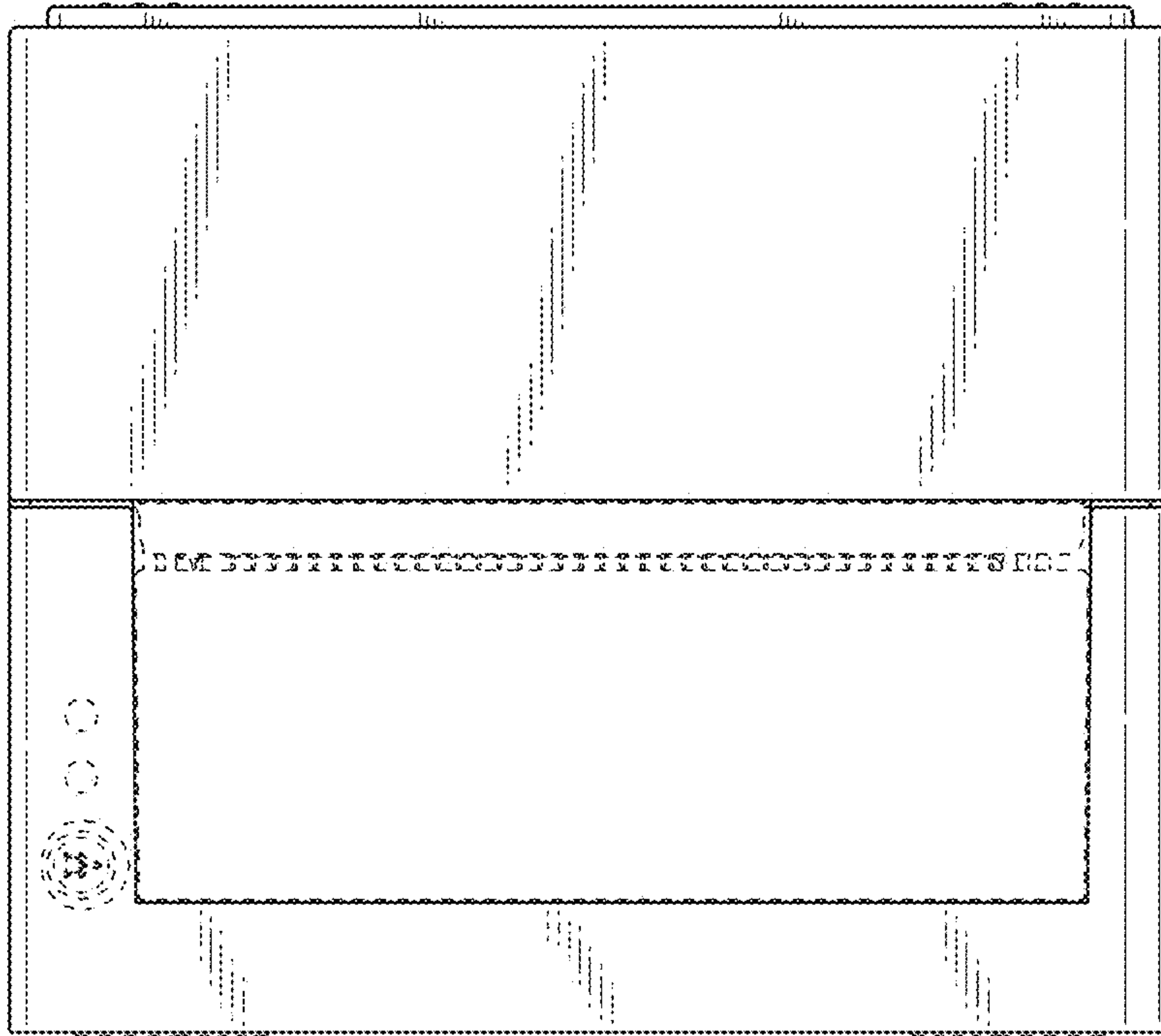


FIG. 3

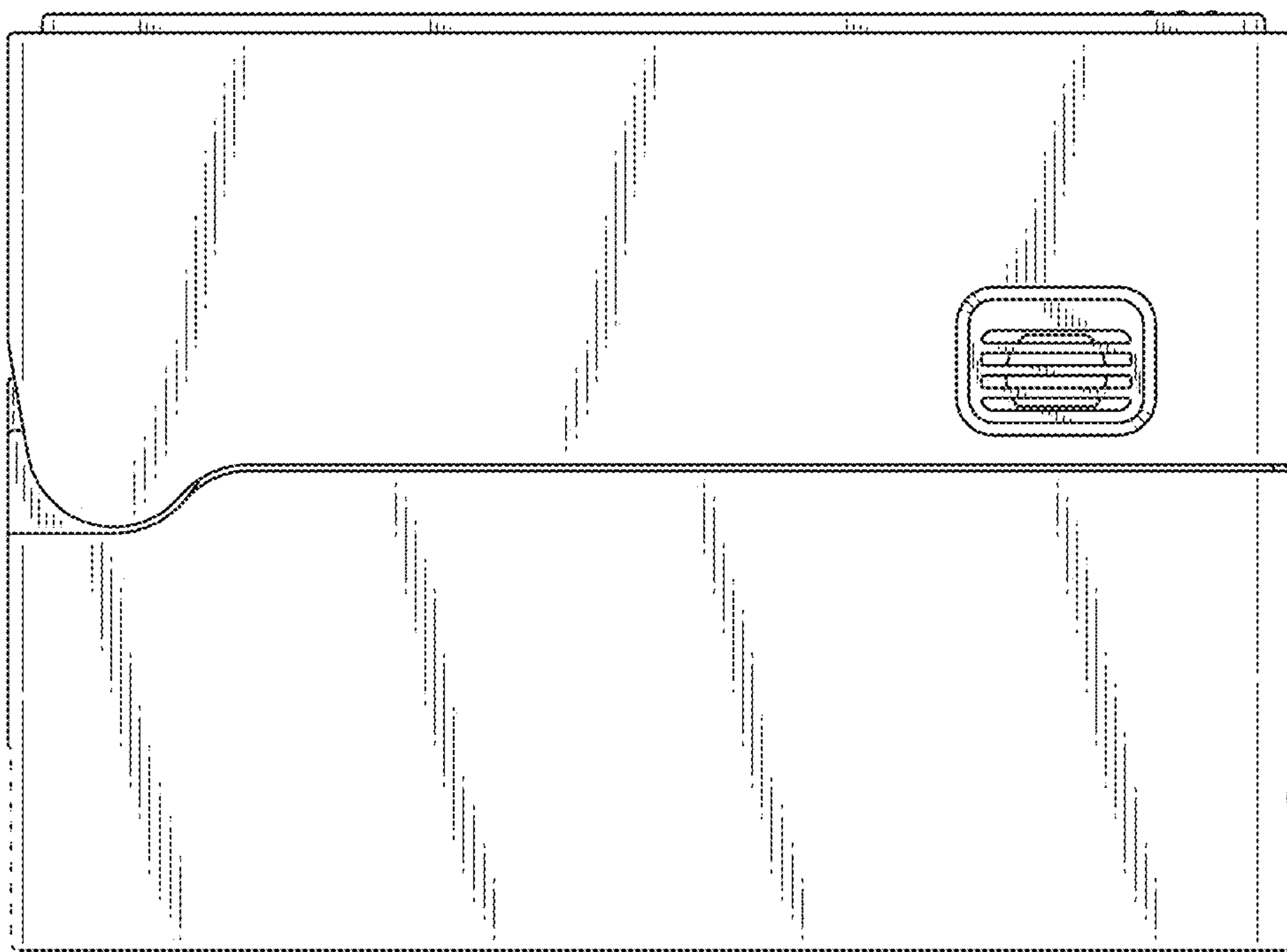




FIG. 4

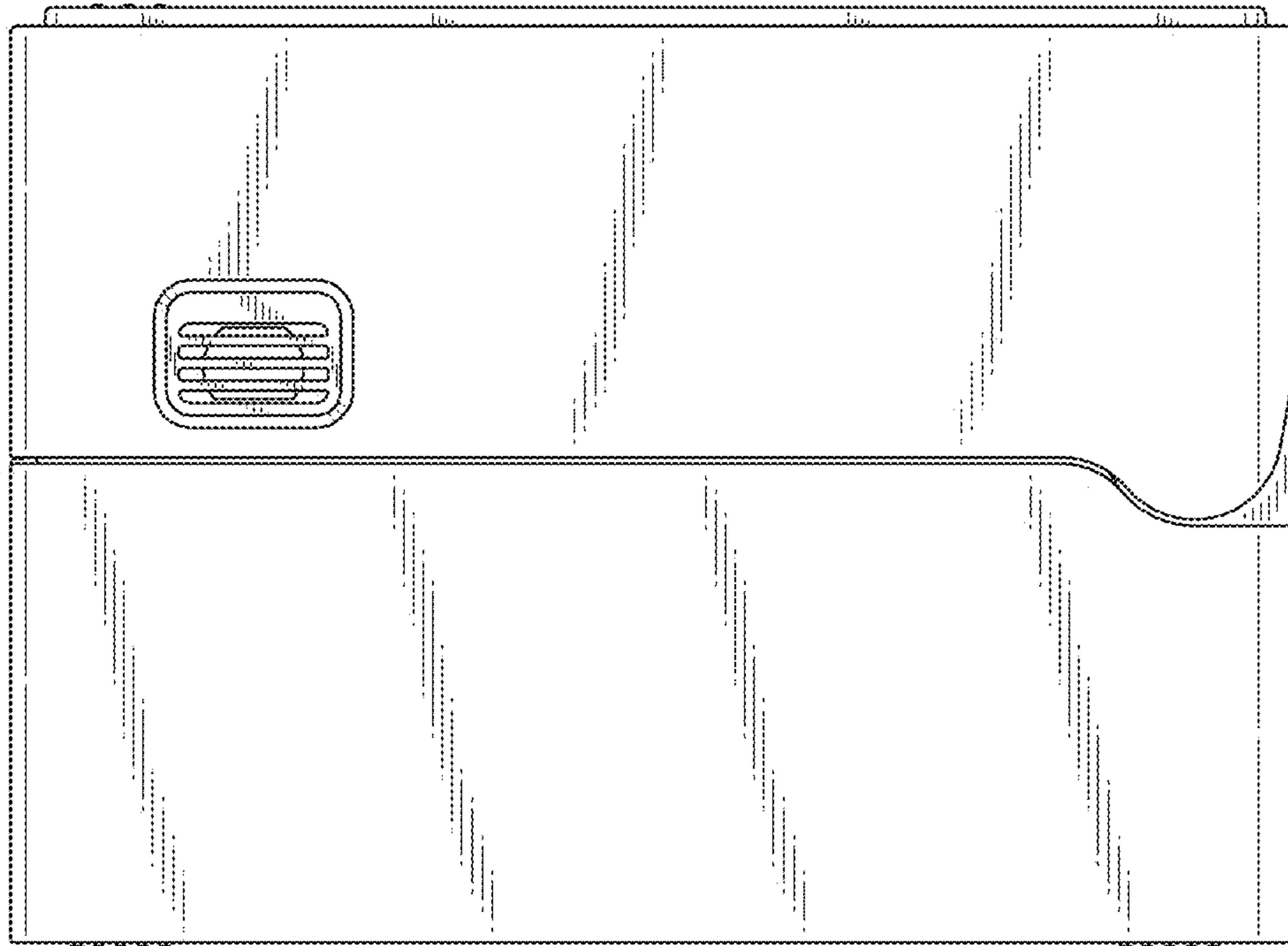


FIG. 5

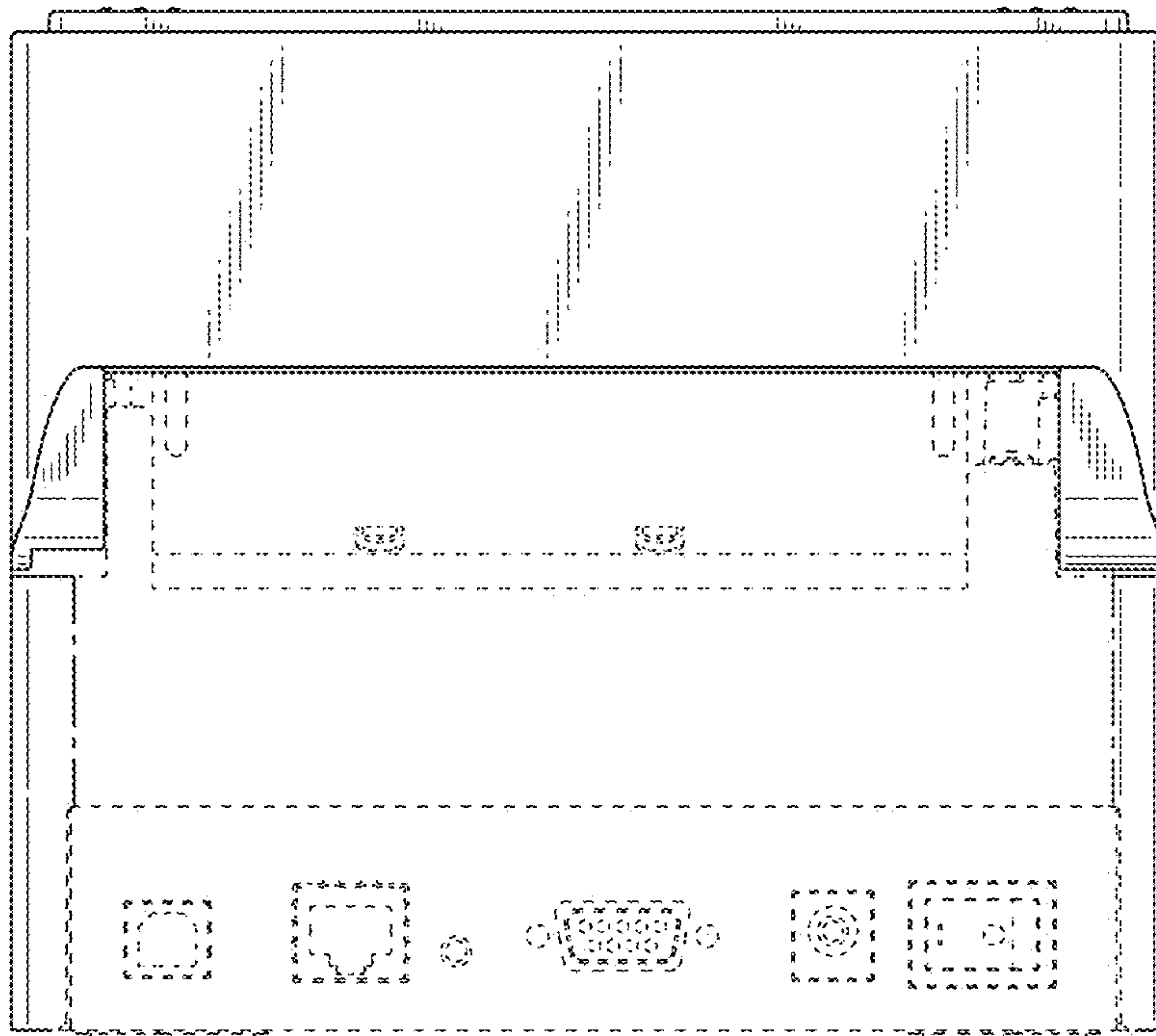


FIG. 6

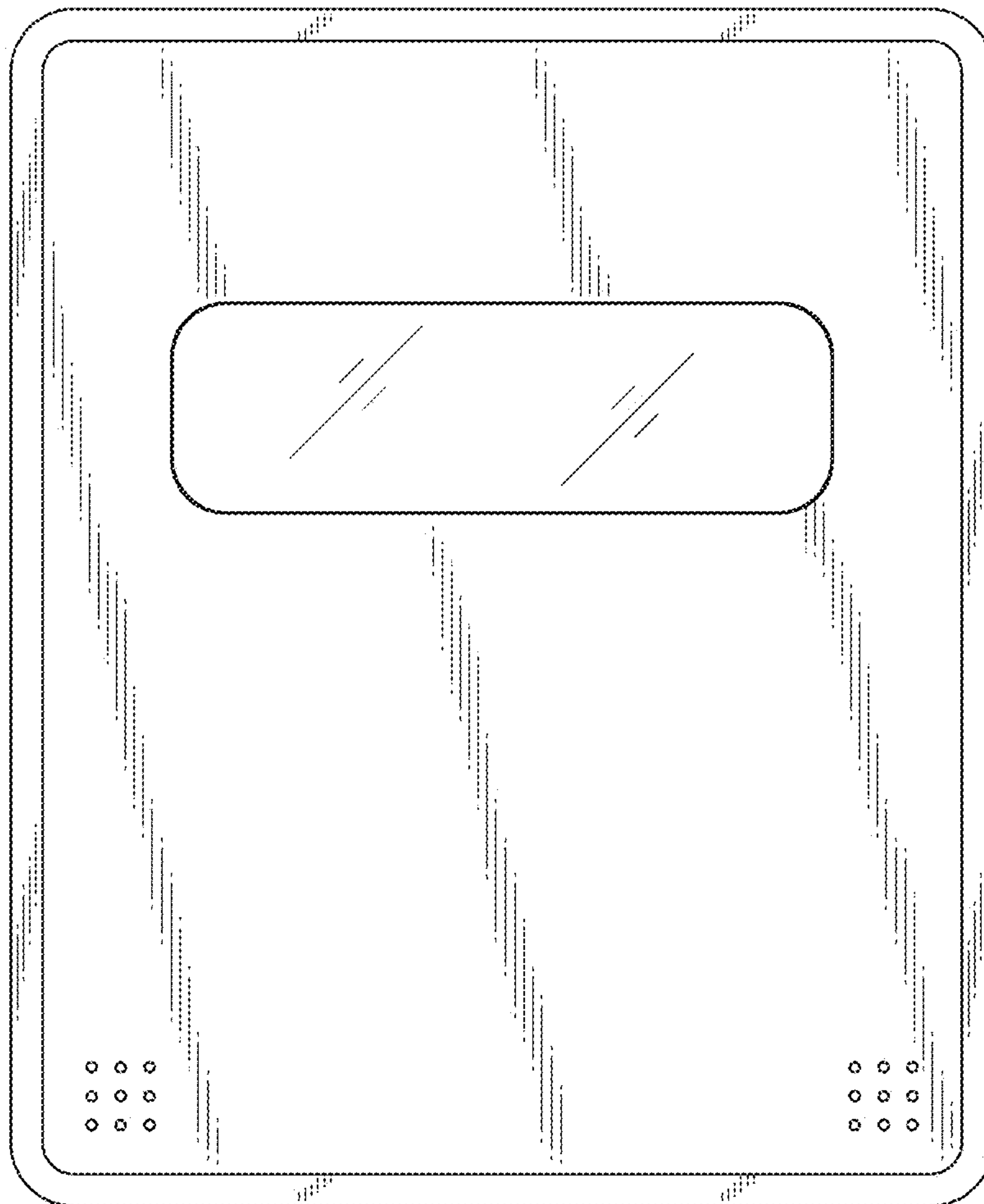


FIG. 7

