



US00D892918S

(12) **United States Design Patent**
Sugiyama et al.

(10) **Patent No.:** **US D892,918 S**
(45) **Date of Patent:** **** Aug. 11, 2020**

(54) **ROLLER STAMP**

FOREIGN PATENT DOCUMENTS

(71) Applicant: **PLUS CORPORATION**, Minato-ku,
Tokyo (JP)

CN 300414571.0000 * 5/2006
CN 300947768 * 6/2009

(Continued)

(72) Inventors: **Jin Sugiyama**, Tokyo (JP); **Masashi Tanabe**, Tokyo (JP); **Hayato Horie**, Tokyo (JP)

OTHER PUBLICATIONS

Amazon. Link: https://www.amazon.com/stores/node/9824605011?_encoding=UTF8&field-lbr_brands_browse-bin=Plus&ref_=bl_dp_s_web_9824605011. Apr. 12, 2019. Guard Your ID Advanced 2.0 Roller Identity Theft Protection for Confidential Security Stamp. (Year: 2019).*

(Continued)

(73) Assignee: **Plus Corporation**, Tokyo (JP)

(**) Term: **15 Years**

Primary Examiner — Lauren D McVey

(21) Appl. No.: **29/643,833**

(74) *Attorney, Agent, or Firm* — The Marbury Law Group, PLLC

(22) Filed: **Apr. 12, 2018**

(30) **Foreign Application Priority Data**

Nov. 7, 2017 (JP) 2017-024785

(51) **LOC (12) Cl.** **19-02**

(52) **U.S. Cl.**
USPC **D18/15**

(58) **Field of Classification Search**

USPC D18/15, 16, 17, 18, 19, 50; D19/65–68, D19/70, 71; D7/672, 675

CPC . B41J 2/1752; B41J 3/36; B41J 29/023; B41J 2/17526; B41J 3/28; B41K 1/00; B41K 1/38; B41K 1/006; B41K 1/02; B41K 1/08; B41K 1/40; B41K 1/42; B41K 1/52; B41K 1/54; B41K 1/56; B41K 1/36; B23K

(Continued)

(56) **References Cited**

U.S. PATENT DOCUMENTS

D178,686 S * 9/1956 Mitchell D18/15
D339,819 S * 9/1993 Chen D18/15

(Continued)

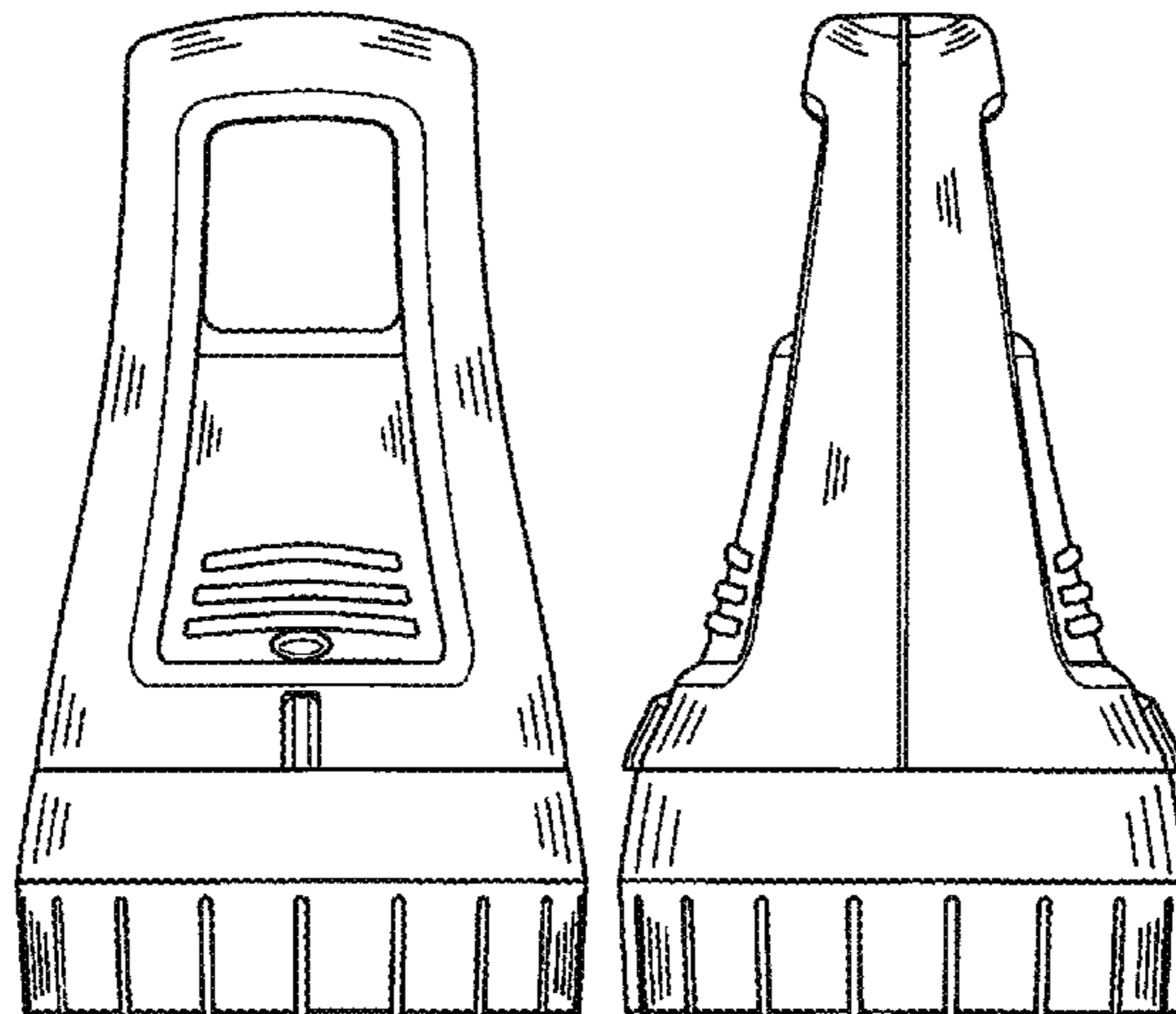
(57) **CLAIM**

The ornamental design for a roller stamp, as shown and described.

DESCRIPTION

FIG. 1 is a front side elevation view of a roller stamp, showing our new design with the cap, and the rear side elevation view being a mirror image thereof; FIG. 2 is a left side elevation view thereof, the right side elevation view being a mirror image thereof; FIG. 3 is a top plan view thereof; FIG. 4 is a bottom plan view thereof; FIG. 5 is a front-left side perspective view thereof; FIG. 6 is a front side elevation view of the roller stamp of FIG. 1 shown without the cap, and the rear side elevation view being a mirror image thereof; FIG. 7 is a left side elevation view thereof, the right side elevation view being a mirror image thereof; FIG. 8 is a top plan view thereof; FIG. 9 is a bottom plan view thereof; and, FIG. 10 is a front-left side perspective view thereof. The broken lines immediately adjacent the claim depict the

(Continued)



US D892,918 S

Page 2

bounds of the claimed design while all other broken lines are directed to environment. The broken lines form no part of the claimed design.

1 Claim, 10 Drawing Sheets

D663,775	S	*	7/2012	Hsu	D19/69
D668,713	S	*	10/2012	Kitamura	D18/15
D679,317	S	*	4/2013	Ono	D18/15
D730,445	S	*	5/2015	Suzuki	D19/69
D850,526	S	*	6/2019	Sugiyama	D18/15
2013/0298789	A1	*	11/2013	Soma	B41F 17/006 101/375

(58) Field of Classification Search

CPC .. 26/00; B23K 26/10; B41C 3/04; B41D 7/00
See application file for complete search history.

FOREIGN PATENT DOCUMENTS

CN	302010972	*	7/2012
CN	304062134	*	3/2017

(56)

References Cited

U.S. PATENT DOCUMENTS

D399,245	S	*	10/1998	Harden	D18/15
D448,041	S	*	9/2001	Pichler	D18/15
D584,767	S	*	1/2009	Nagata	D18/56
D585,932	S	*	2/2009	Kida	D18/15
D630,250	S	*	1/2011	Yoon	D19/66

OTHER PUBLICATIONS

Amazon. Link: https://www.amazon.com/dp/B074WF347Z/ref=cm_sw_em_r_mt_dp_U_xVsHDbKS43398. May 21, 2018. Guard Your ID Mini Roller Identity Theft Prevention Security Stamp 4 Piece Kit (38138). (Year: 2019).*

* cited by examiner

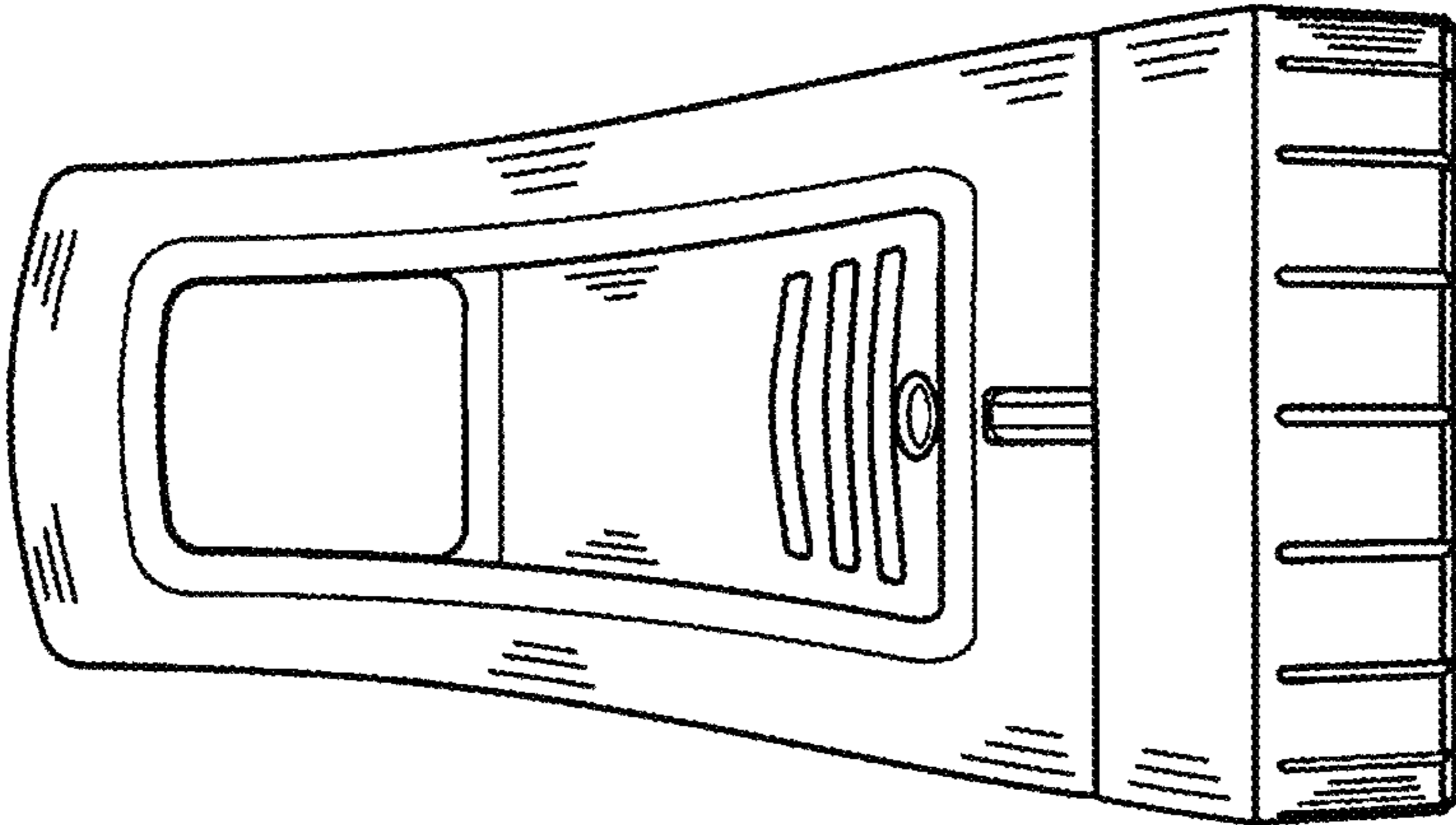


FIG. 1

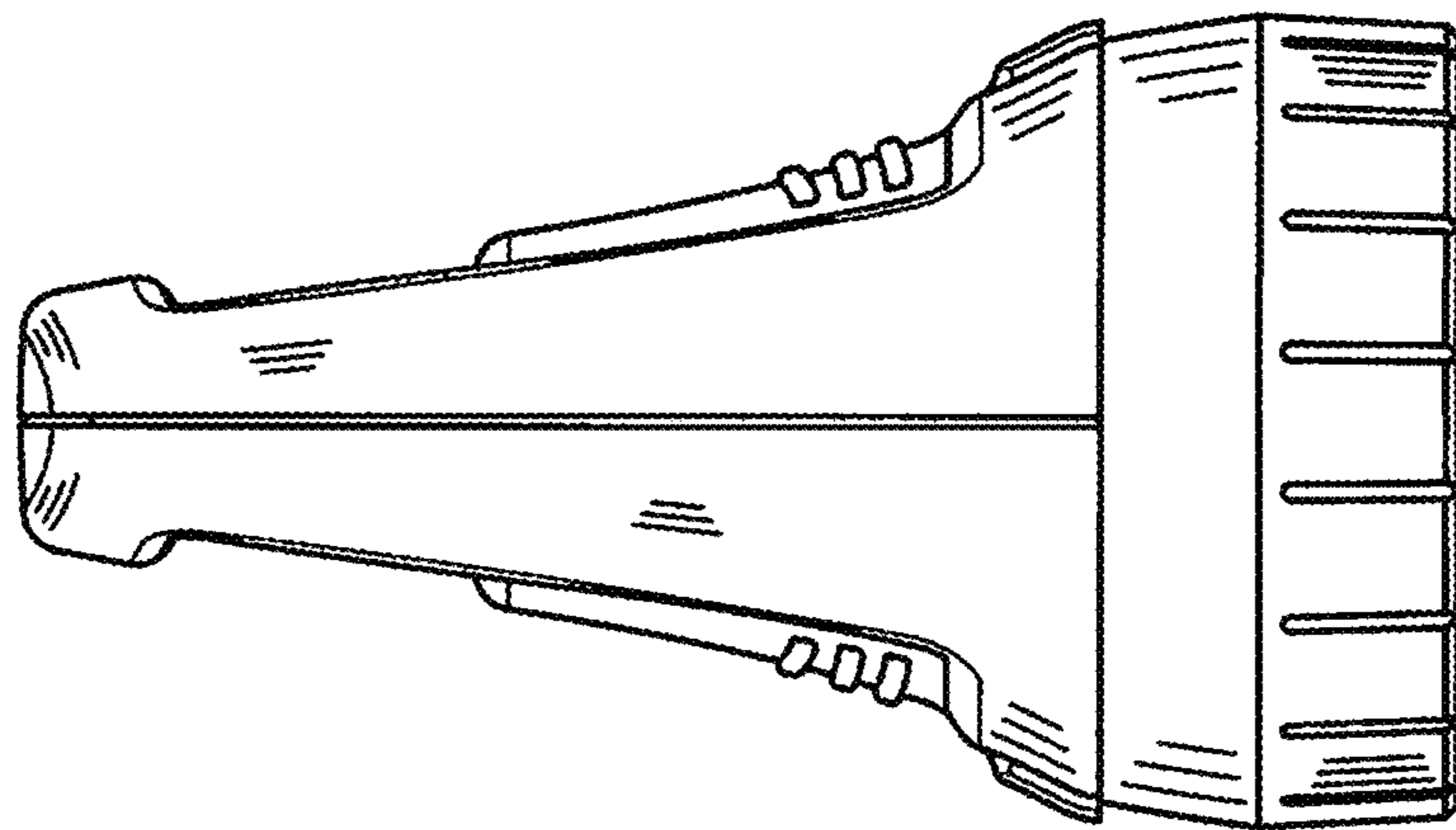


FIG. 2

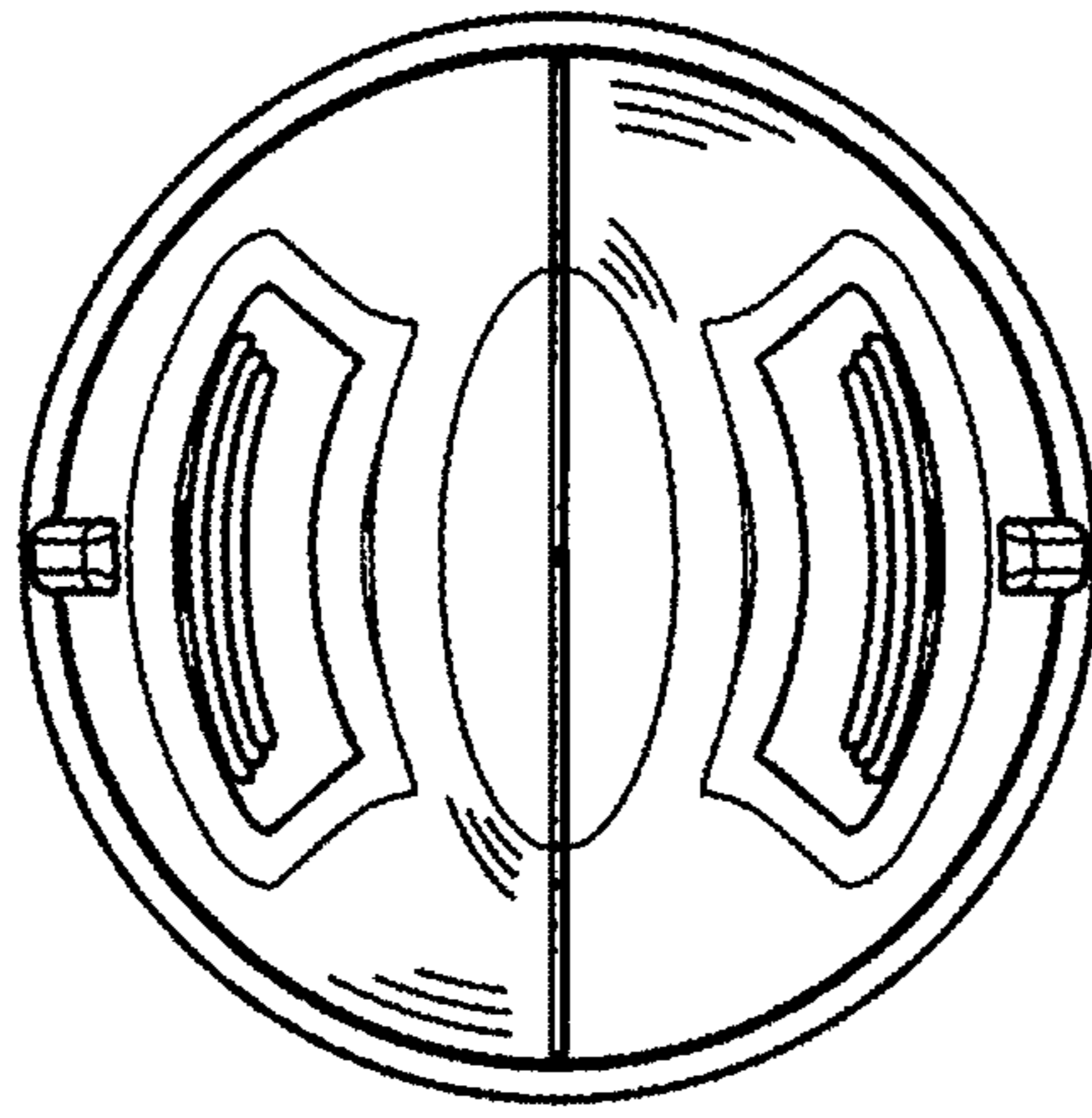


FIG. 3

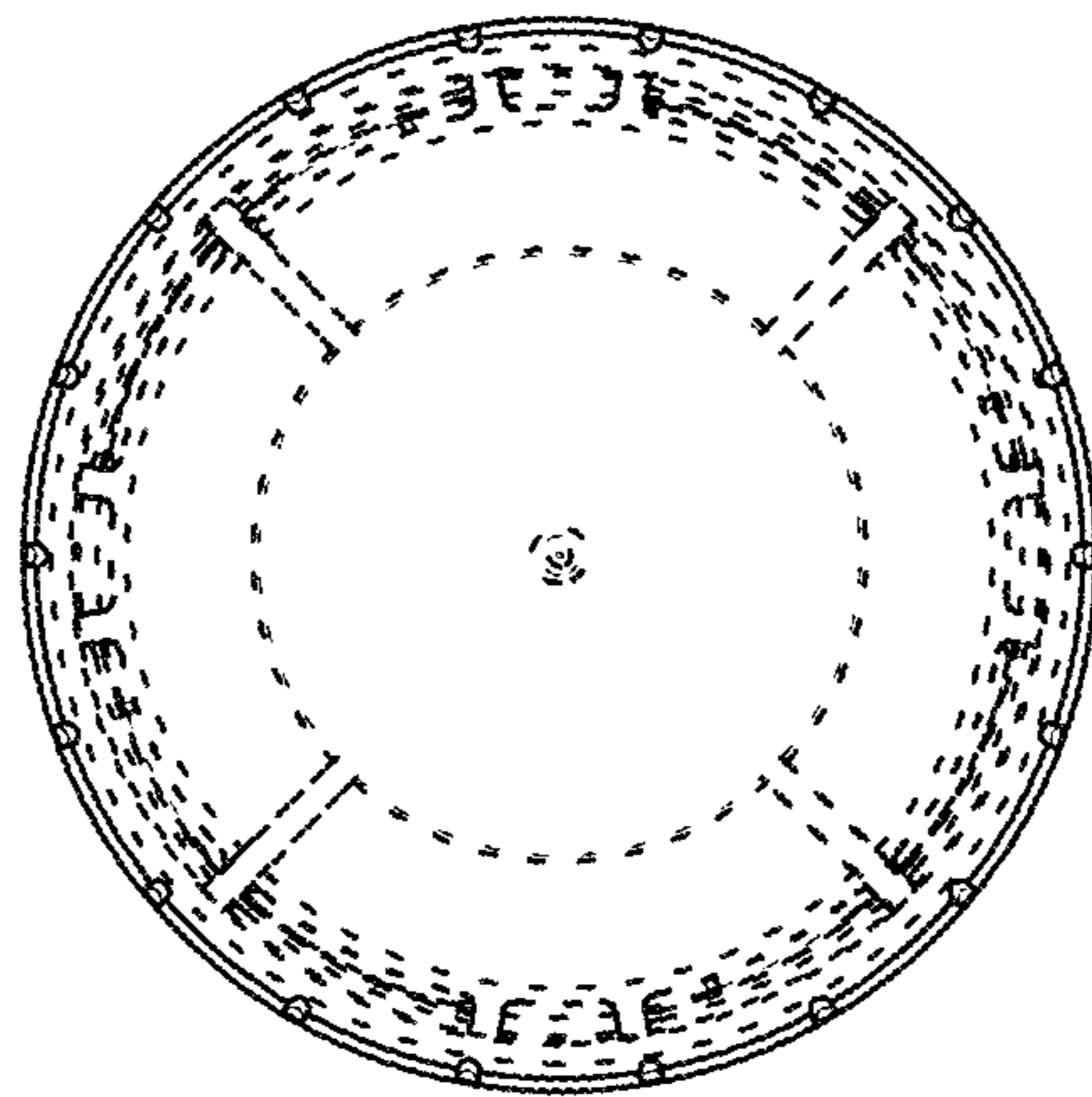


FIG. 4

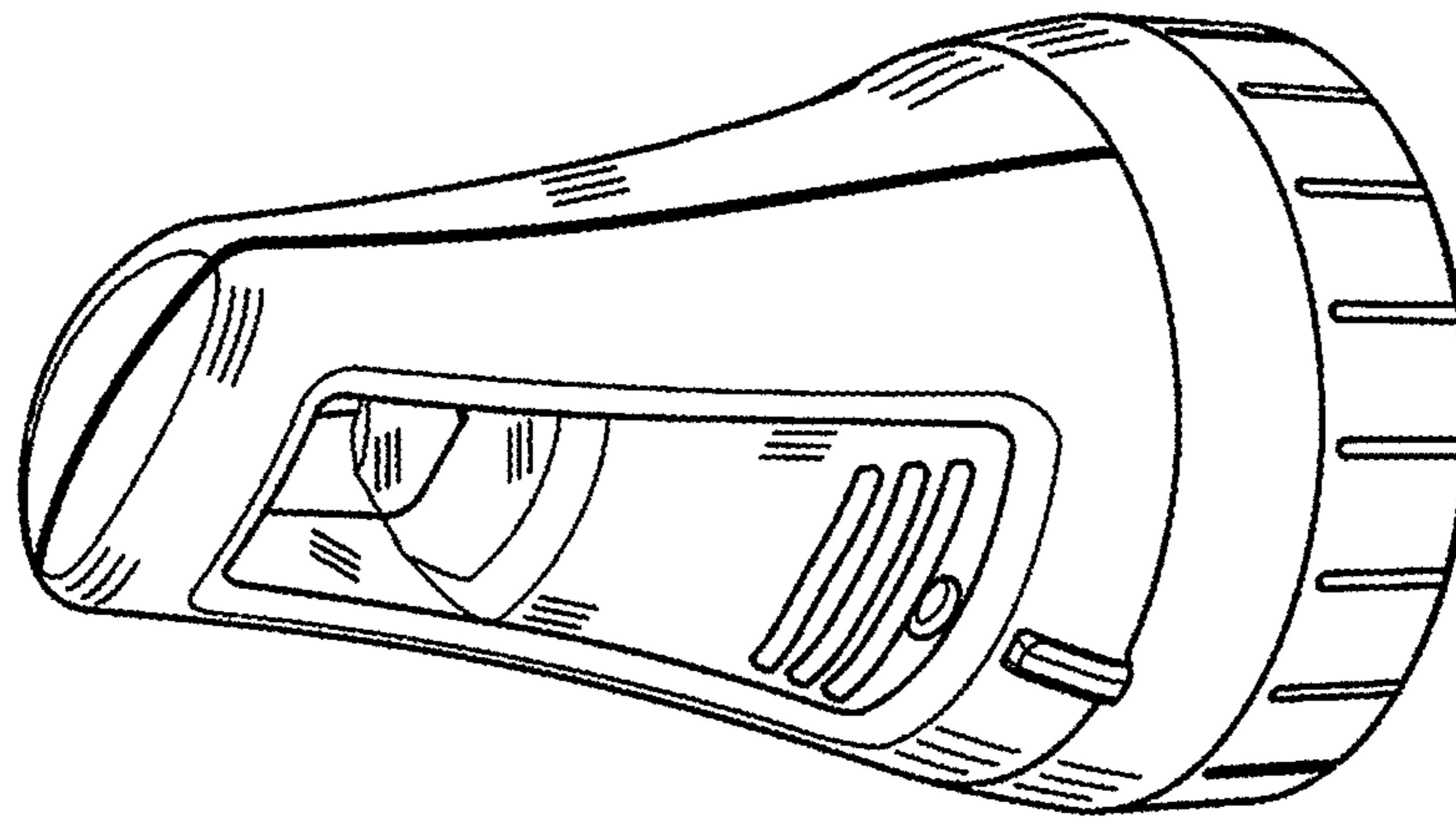


FIG. 5

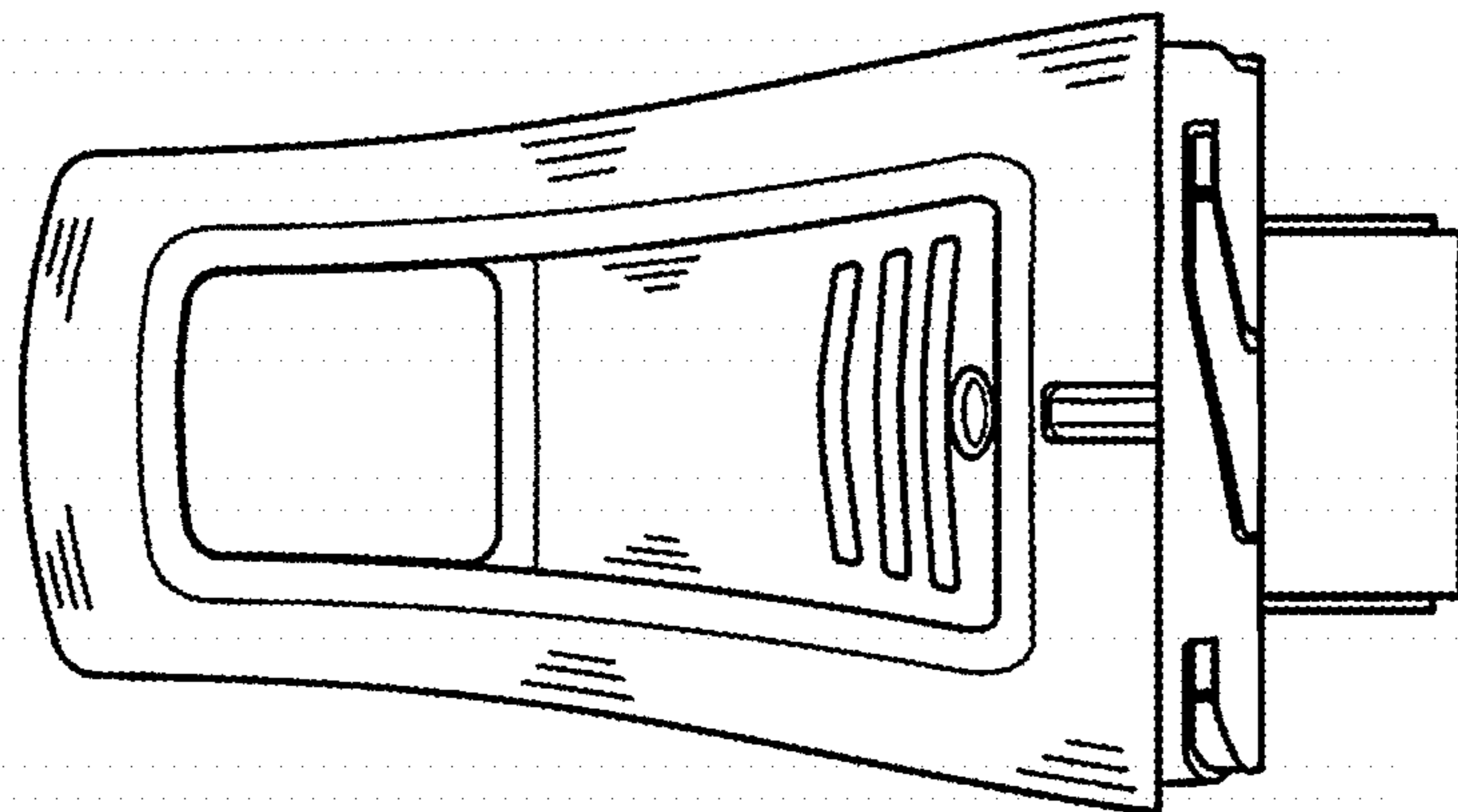


FIG. 6

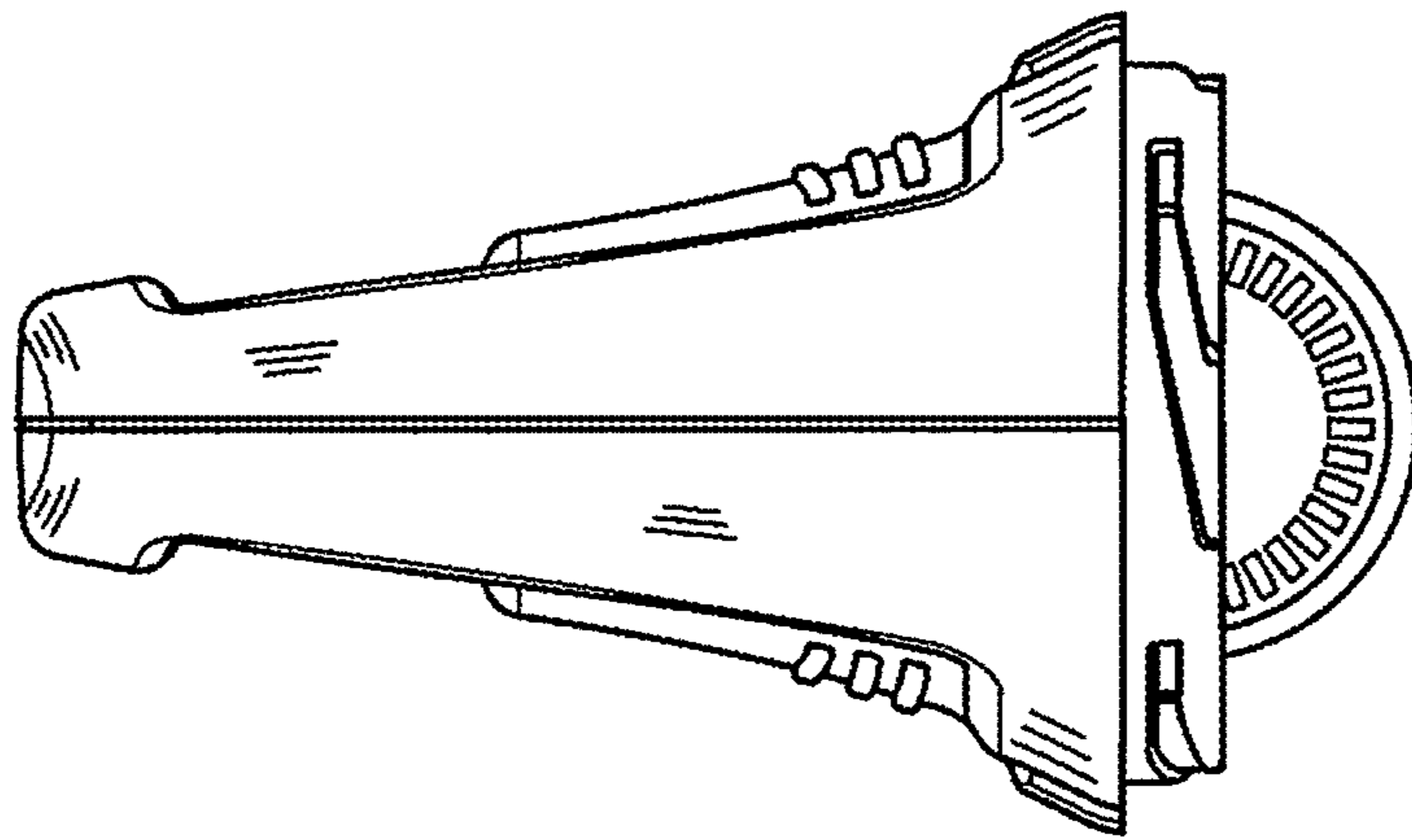


FIG. 7

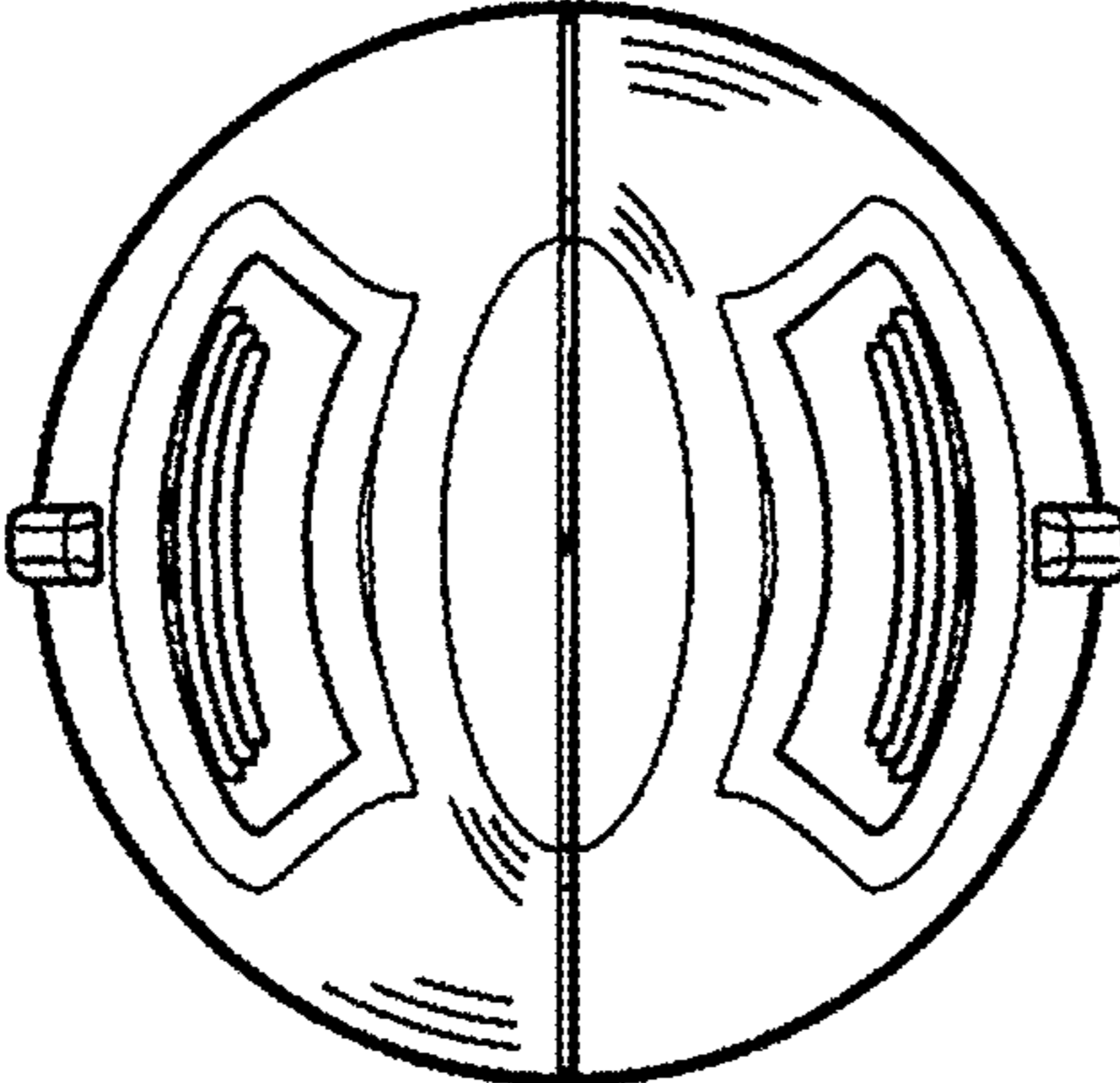


FIG. 8

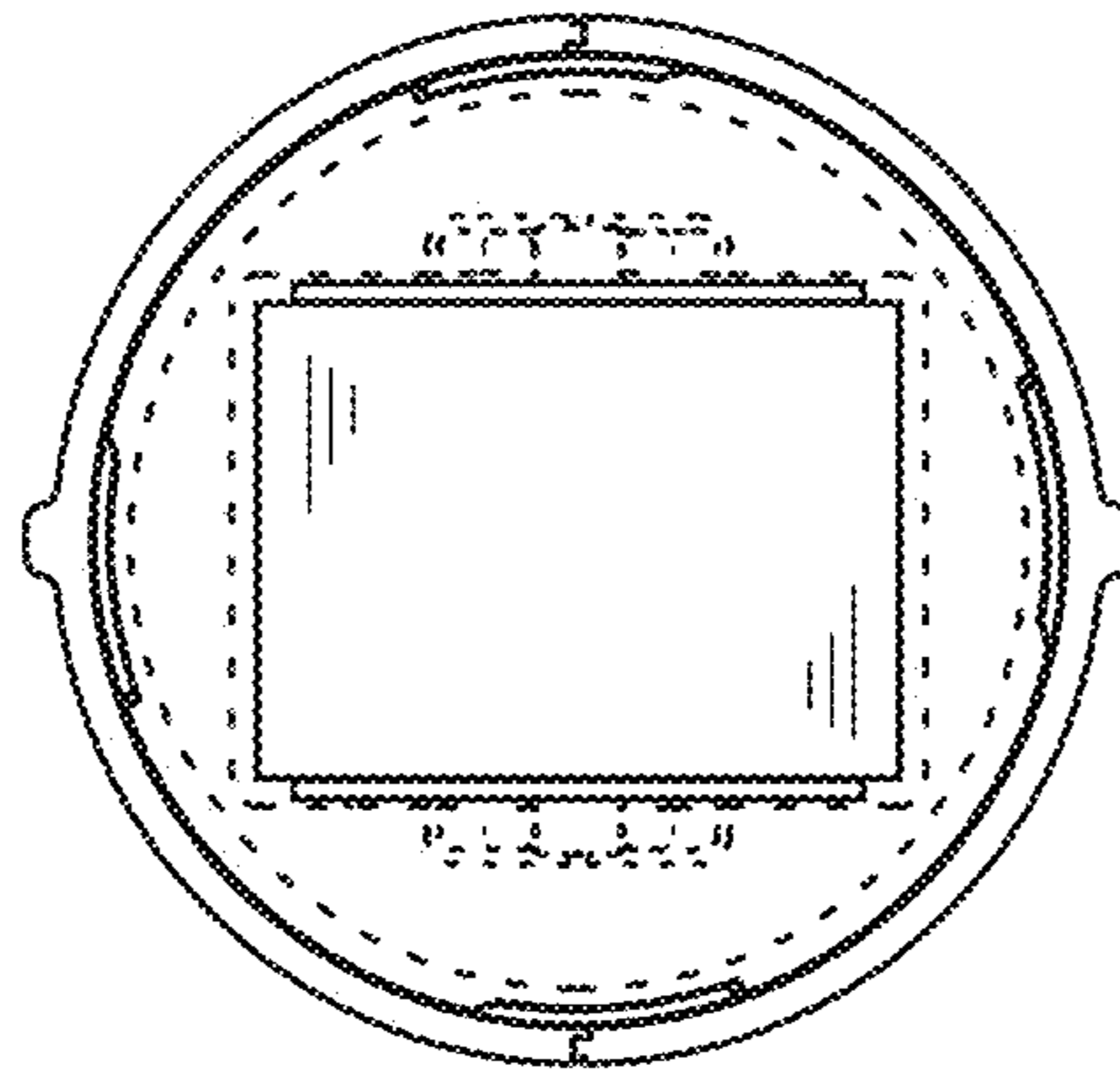


FIG. 9

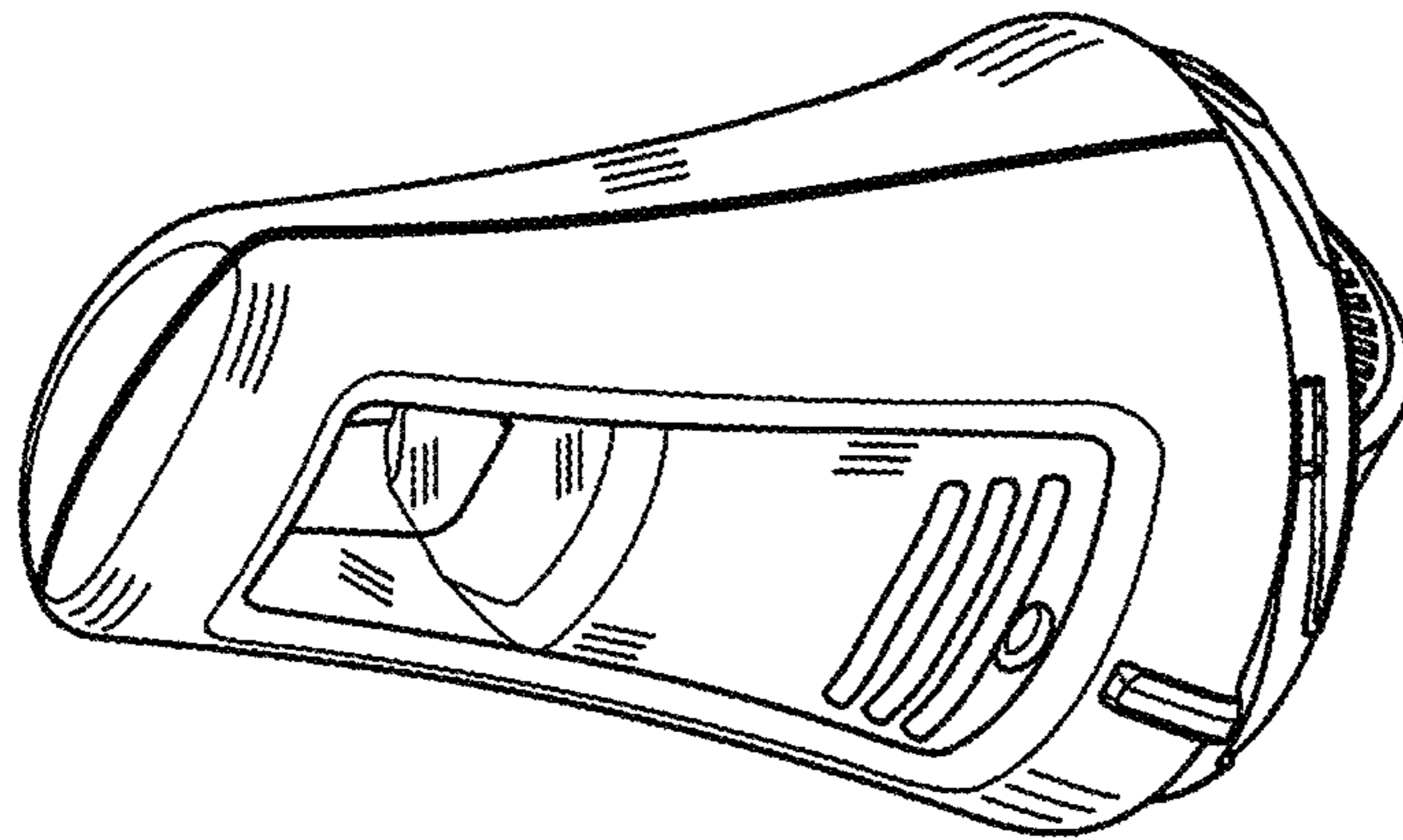


FIG. 10