



US00D892917S

(12) **United States Design Patent**
Shih

(10) **Patent No.:** **US D892,917 S**

(45) **Date of Patent:** **** Aug. 11, 2020**

(54) **STAMP**

(71) Applicant: **SUN SAME ENTERPRISES CO., LTD.**, Tainan (TW)

(72) Inventor: **Wen Jer Shih**, Tainan (TW)

(73) Assignee: **SUN SAME ENTERPRISES CO., LTD.**, Tainan (TW)

(**) Term: **15 Years**

(21) Appl. No.: **29/635,722**

(22) Filed: **Feb. 1, 2018**

(51) **LOC (12) Cl.** **19-02**

(52) **U.S. Cl.**
USPC **D18/15**

(58) **Field of Classification Search**
USPC D18/14, 15, 16, 17, 18, 19, 50;
D19/65-68, 70, 71; D7/672, 675
CPC . B41J 2/1752; B41J 3/36; B41J 29/023; B41J
2/17526; B41J 3/28; B41K 1/00; B41K
1/38; B41K 1/006; B41K 1/02; B41K
1/08; B41K 1/40; B41K 1/42; B41K
1/52; B41K 1/54; B41K 1/56; B41K
1/36; B23K 26/00; B23K 26/10; B41C
3/04; B41D 7/00

See application file for complete search history.

(56) **References Cited**

U.S. PATENT DOCUMENTS

D425,546 S * 5/2000 Lee D18/15
D493,191 S * 7/2004 Sculler D18/15
D518,087 S * 3/2006 Shih D18/15
7,066,089 B1 * 6/2006 Shih B41K 1/40
101/327
D538,840 S * 3/2007 Shih D18/15

D545,352 S * 6/2007 Treml D18/15
D545,353 S * 6/2007 Treml D18/15
7,334,521 B2 * 2/2008 Moody B41K 1/04
101/103
D568,381 S * 5/2008 Shih D18/15
D585,087 S * 1/2009 Shih D18/15
D607,489 S * 1/2010 Kida D18/15
8,931,407 B2 * 1/2015 Shih B41K 1/38
101/104
D747,405 S * 1/2016 Shih D18/15

FOREIGN PATENT DOCUMENTS

EP 2505372 A1 * 10/2012 B41K 1/40

* cited by examiner

Primary Examiner — Lauren D McVey

(74) *Attorney, Agent, or Firm* — Pai Patent & Trademark Law Firm; Chao-Chang David Pai

(57) **CLAIM**

The ornamental design for a stamp, as shown and described.

DESCRIPTION

FIG. 1 is a perspective view of a stamp, showing my new design;

FIG. 2 is a front view thereof;

FIG. 3 is a rear view thereof;

FIG. 4 is a left side view thereof;

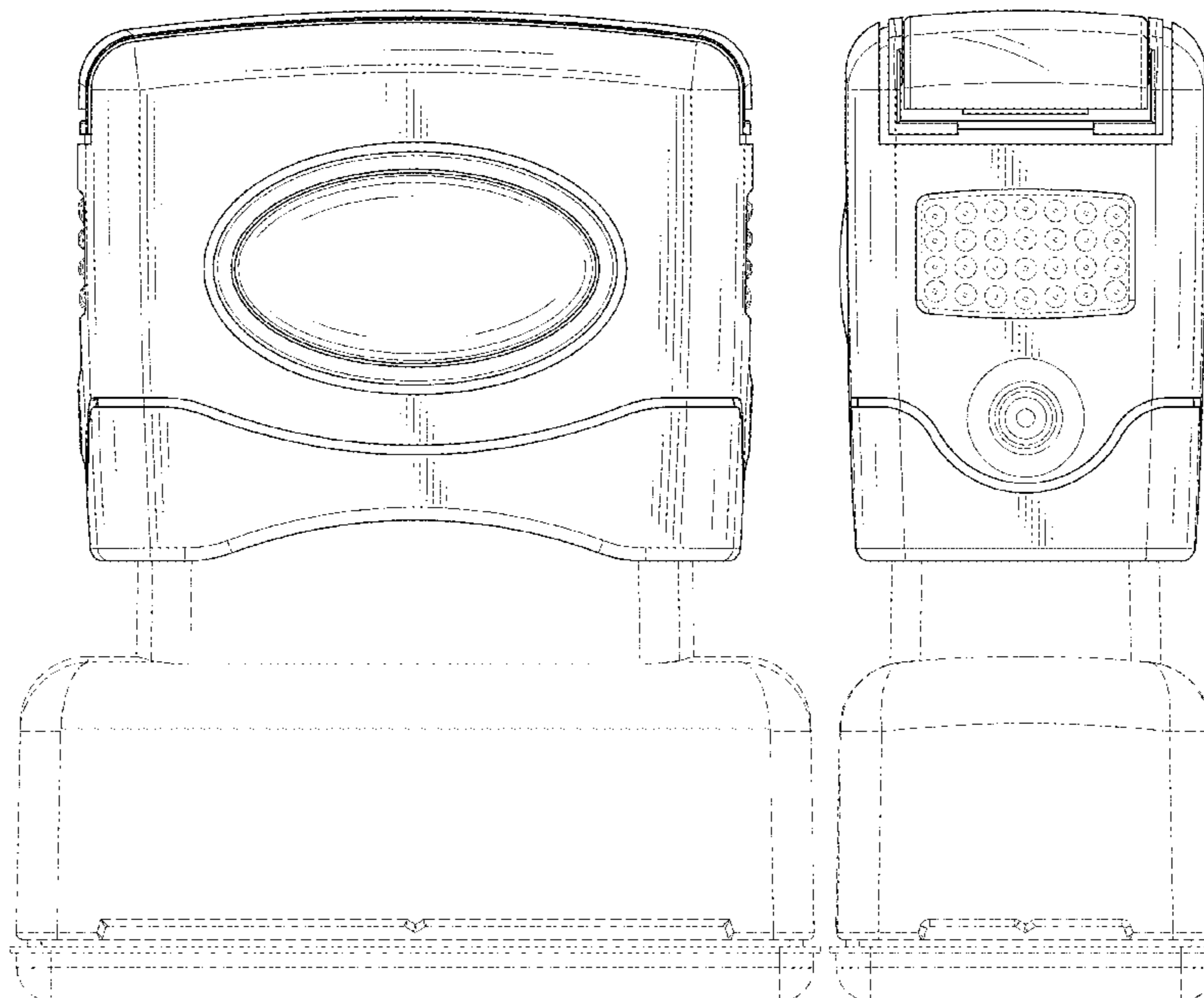
FIG. 5 is a right side view thereof;

FIG. 6 is a top view thereof; and,

FIG. 7 is a bottom view thereof.

The circular broken lines immediately adjacent to the claim depict the bounds of the claimed design, while all other broken lines are directed to environment. In addition, the unshaded surface that directly adjoins the claimed solid line edges forms no part of the claimed design.

1 Claim, 6 Drawing Sheets



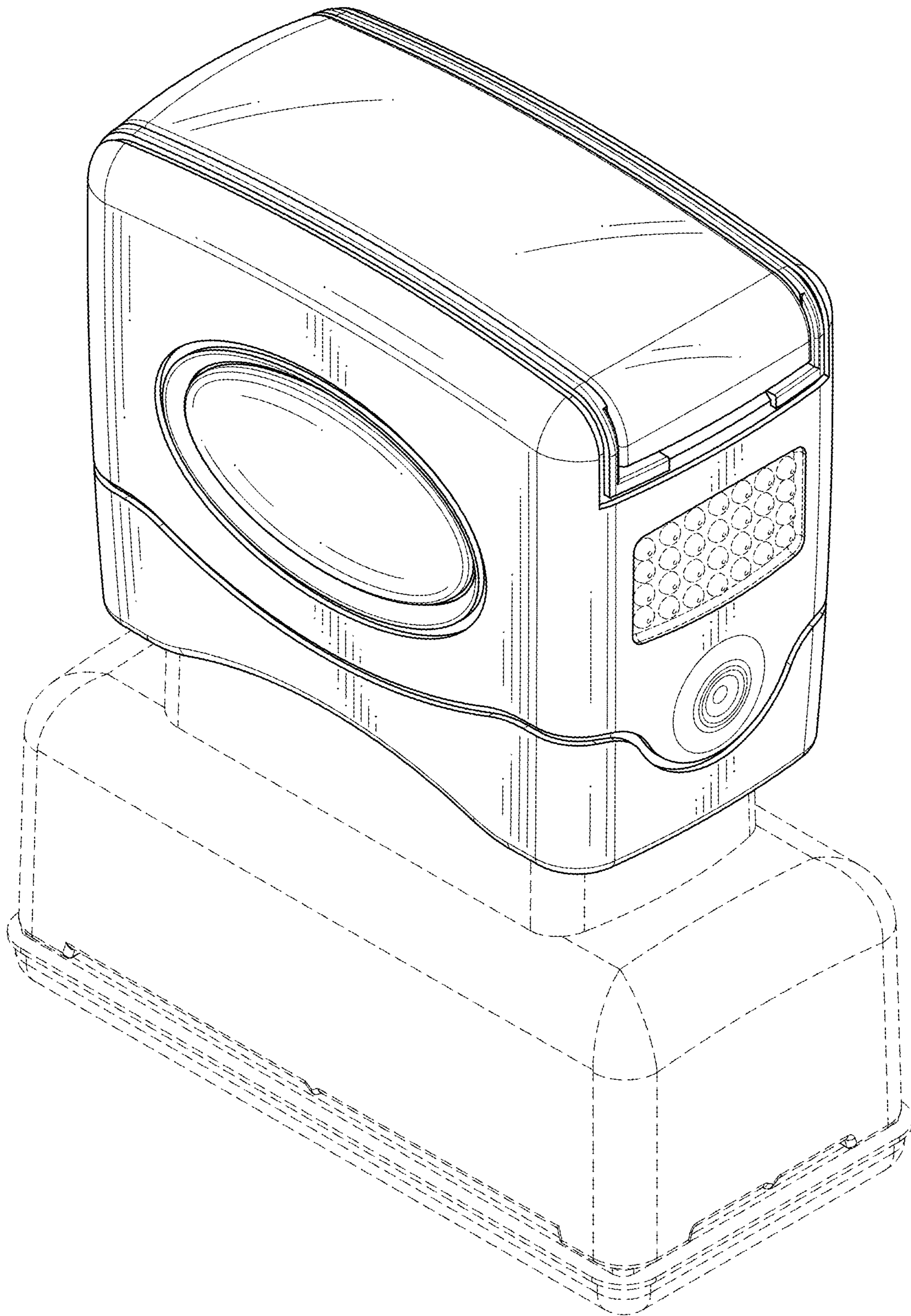


FIG. 1

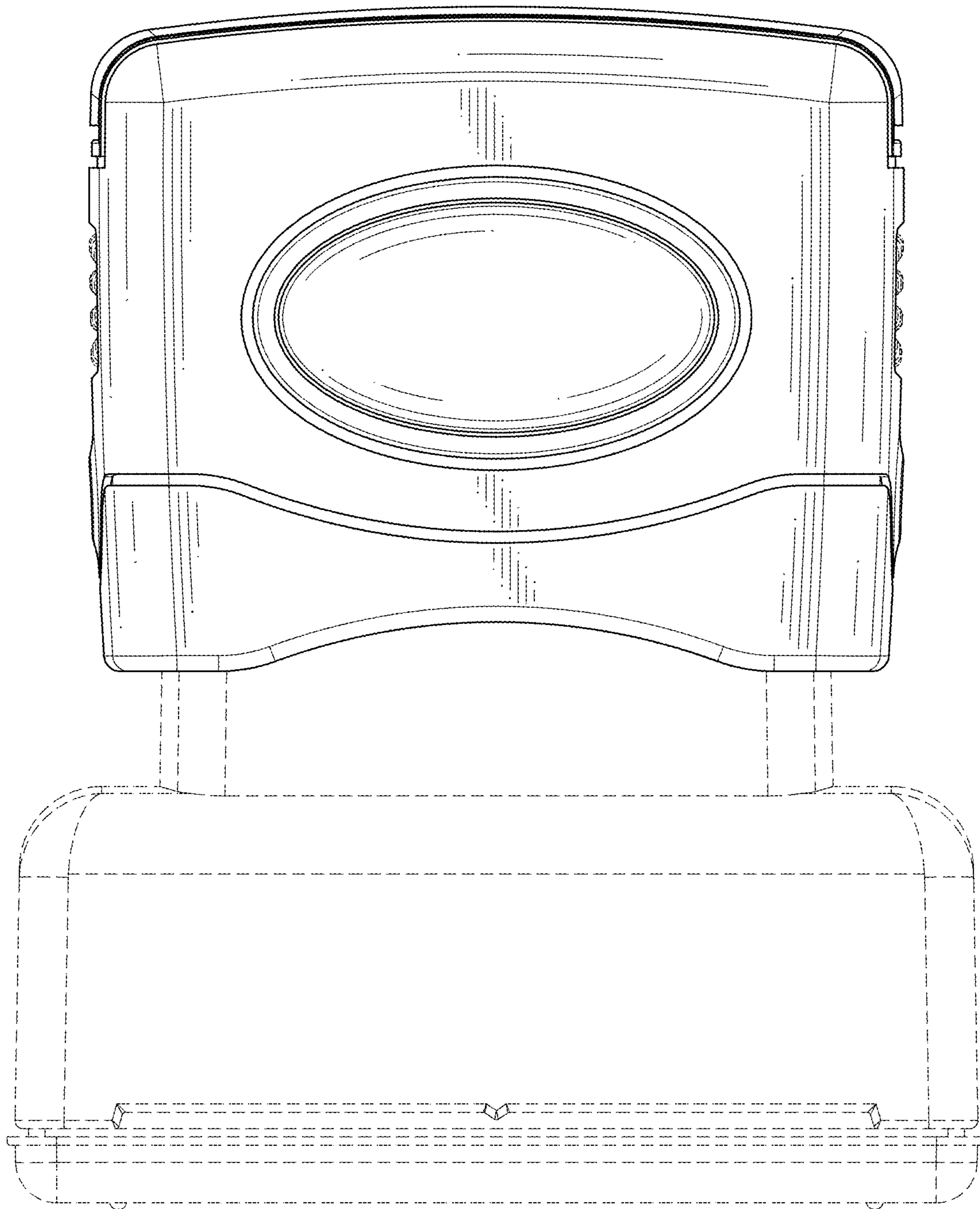


FIG. 2

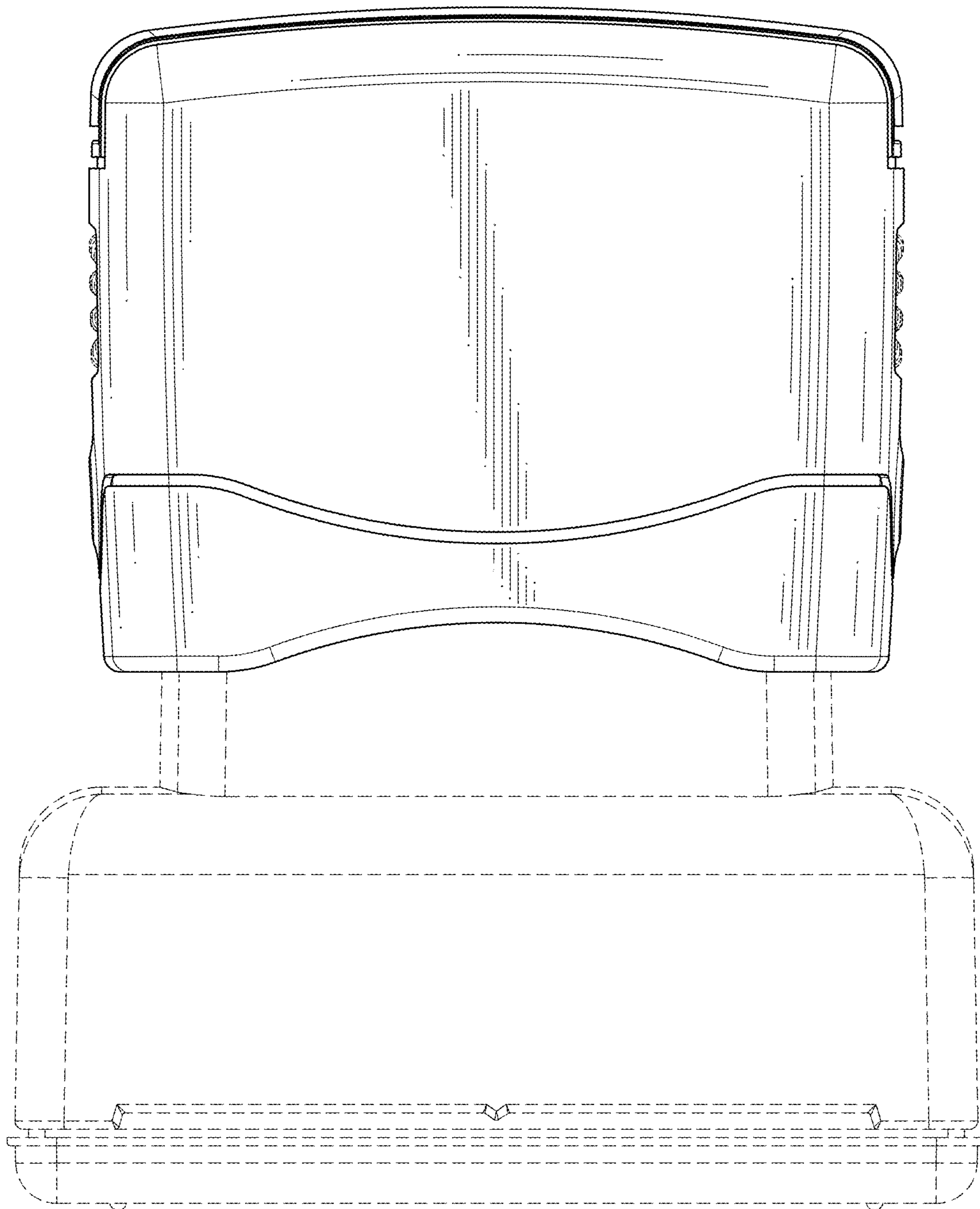


FIG. 3

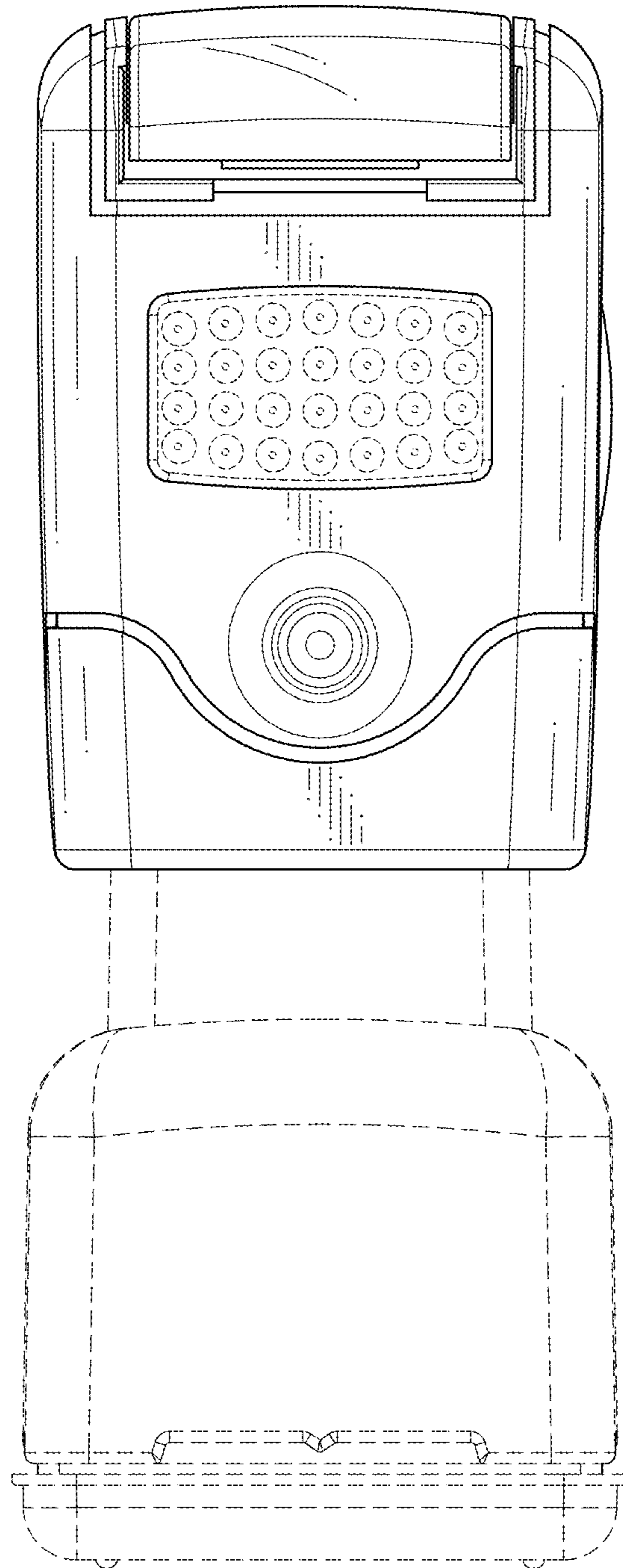


FIG. 4

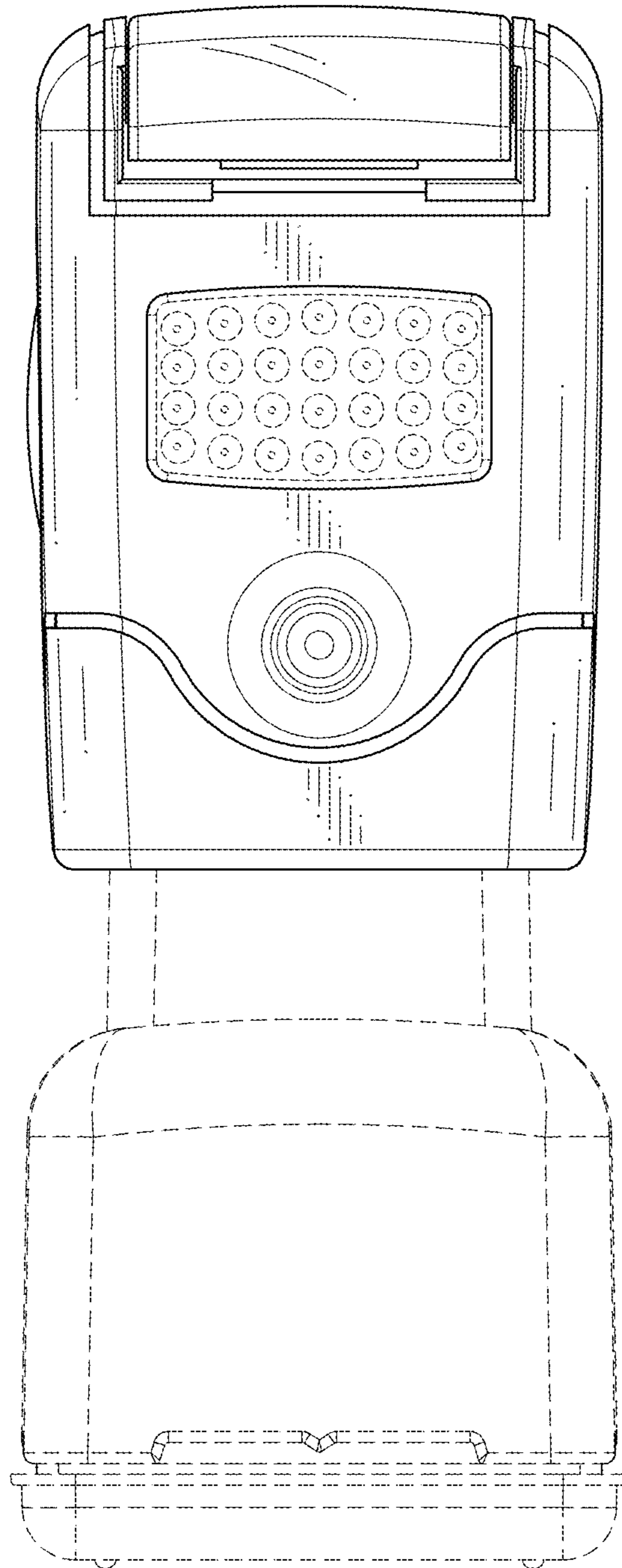


FIG. 5

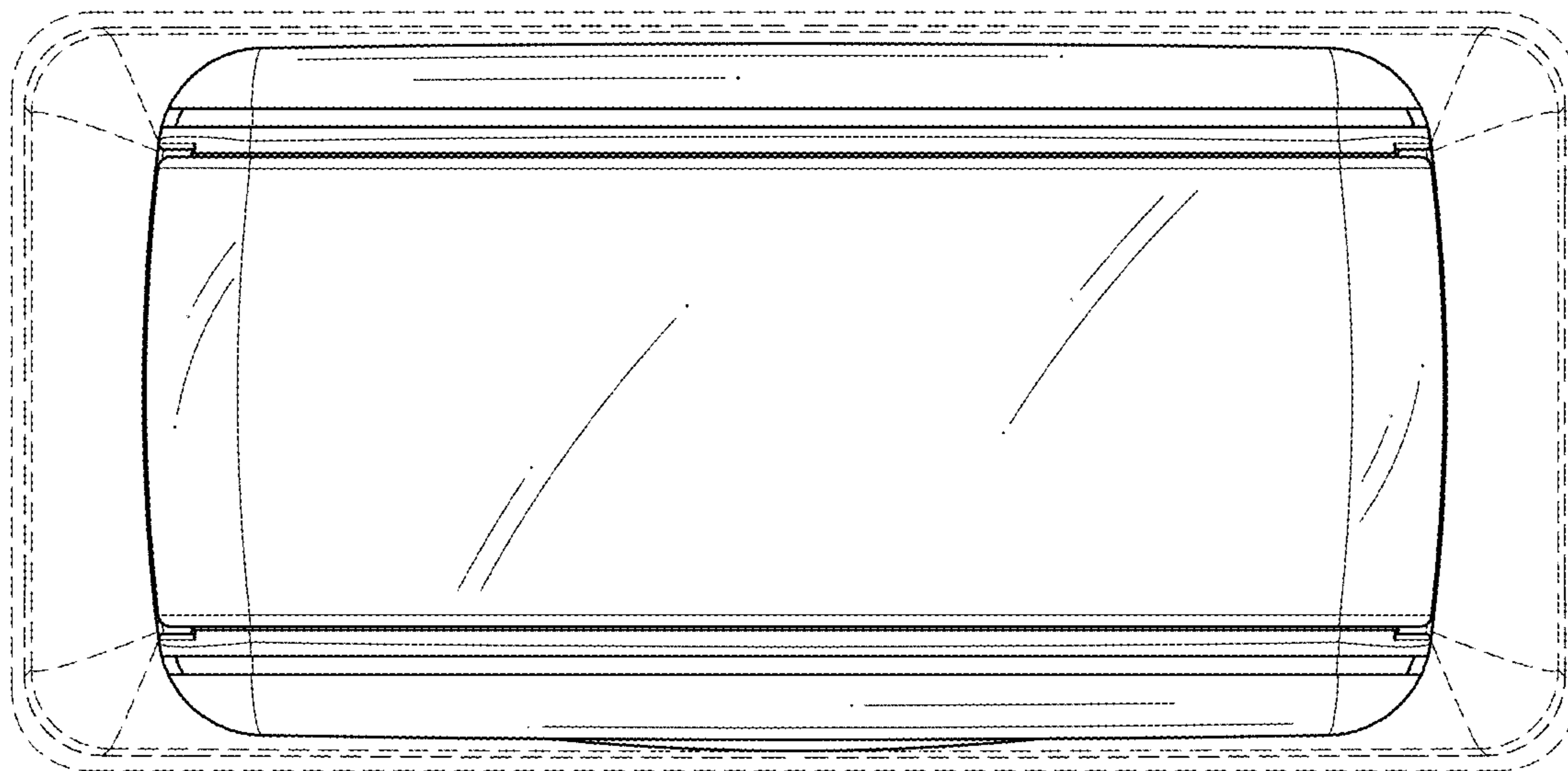


FIG. 6

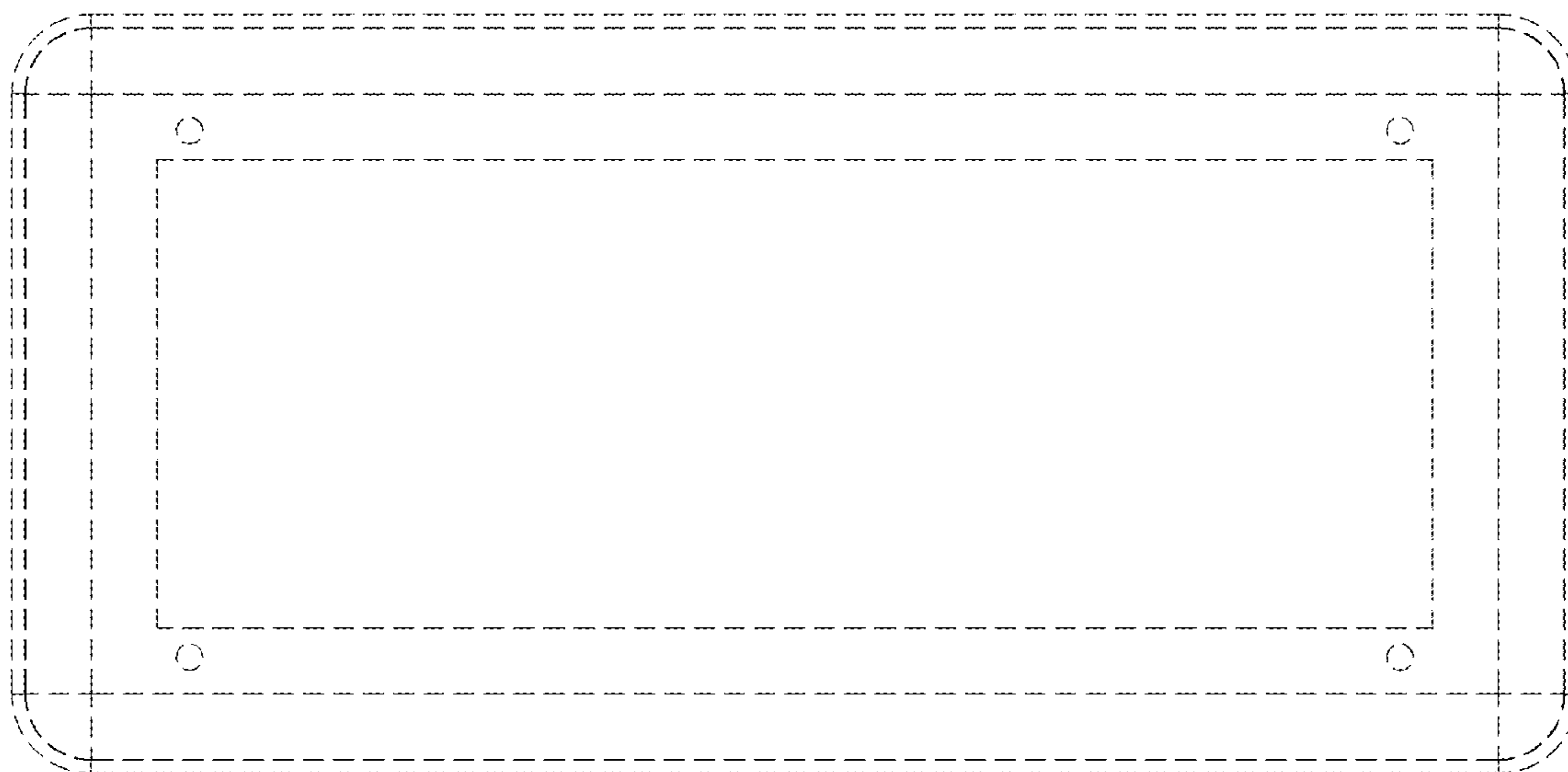


FIG. 7