



US00D892914S

(12) **United States Design Patent** (10) **Patent No.:** **US D892,914 S**
Kim et al. (45) **Date of Patent:** **** Aug. 11, 2020**

- (54) **GOGGLE**
- (71) Applicant: **Oakley, Inc.**, Foothill Ranch, CA (US)
- (72) Inventors: **Joon H. Kim**, Hacienda Heights, CA (US); **Nicolas Adolfo Garfias**, Long Beach, CA (US); **Daniel Soo Chae**, Mission Viejo, CA (US)
- (73) Assignee: **Oakley, Inc.**, Foothill Ranch, CA (US)
- (**) Term: **15 Years**
- (21) Appl. No.: **29/670,047**
- (22) Filed: **Nov. 13, 2018**
- (51) **LOC (12) Cl.** **16-06**
- (52) **U.S. Cl.**
USPC **D16/313**
- (58) **Field of Classification Search**
USPC D16/300, 313, 325, 328
CPC G02C 5/008; G02C 5/146
See application file for complete search history.

D687,881 S * 8/2013 Ginther D16/312
D695,335 S * 12/2013 Goodman D16/312
D785,699 S * 5/2017 Chen D16/312

(Continued)

FOREIGN PATENT DOCUMENTS

EP 0625344 A2 4/1994

OTHER PUBLICATIONS

Goggle Single Layer Ultralight TPU Lens, posted at amazon.com, posting date not given, [online], [site visited Mar. 29, 2020]. Available from Internet, URL: <https://www.amazon.com/Ultralight-Sand-Proof-Goggles-Glasses-Sunglasses/dp/B07X7W945Z> (Year: 2020).*

(Continued)

Primary Examiner — George D. Kirschbaum
Assistant Examiner — Maria J Edwards
(74) *Attorney, Agent, or Firm* — Sterne, Kessler, Goldstein & Fox P.L.L.C.

(57) **CLAIM**

The ornamental design for a goggle, as shown and described.

DESCRIPTION

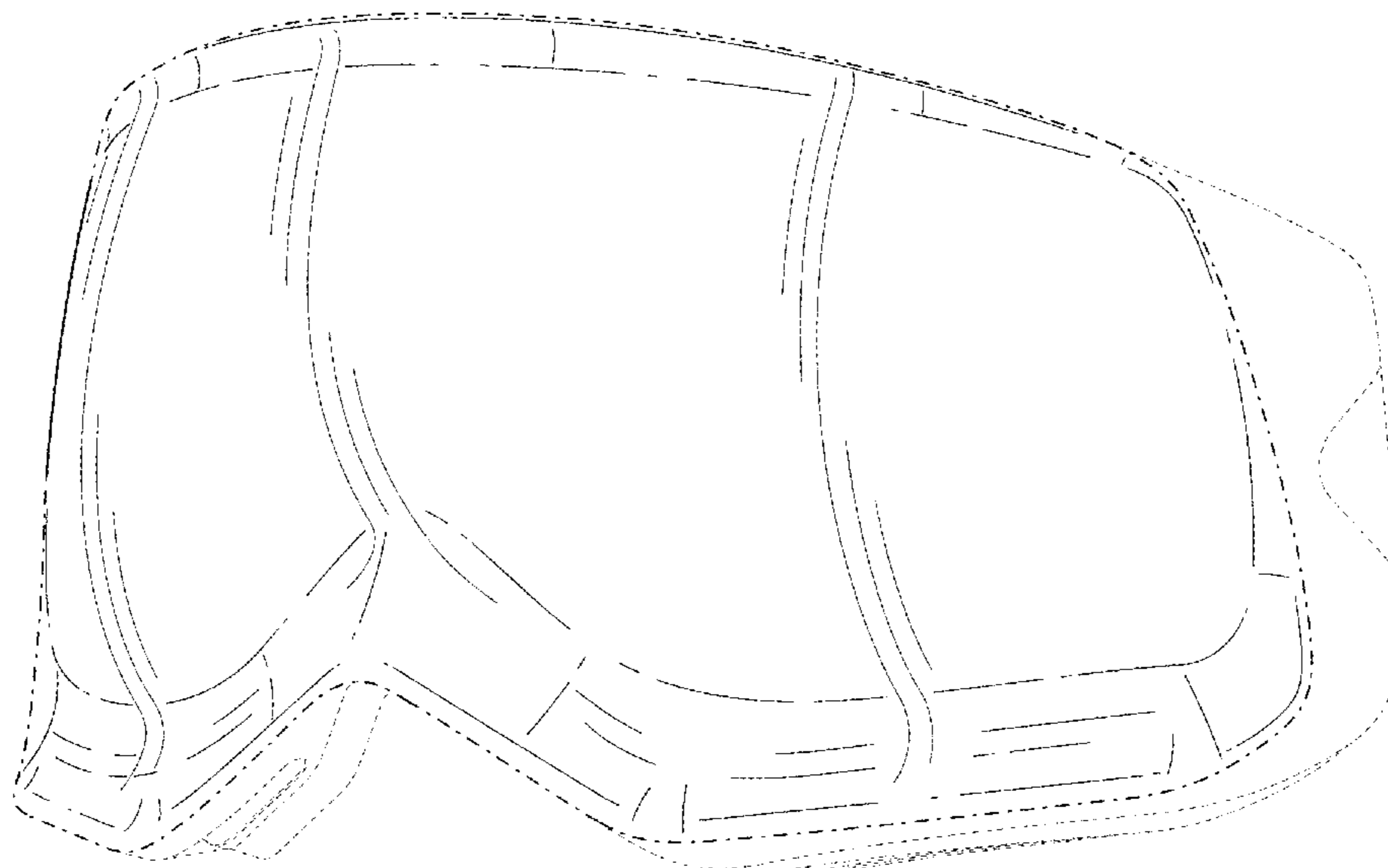
FIG. 1 is a front perspective view of a goggle showing the claimed design;
FIG. 2 is a top front perspective view thereof;
FIG. 3 is a front view thereof;
FIG. 4 is a rear view thereof;
FIG. 5 is a right side view thereof, the left side view being a mirror image thereof;
FIG. 6 is a top view thereof; and,
FIG. 7 is a bottom view thereof.
The dashed broken lines in the figures show portions of the goggle that form no part of the claimed design.
The dot-dash broken lines in the figures show boundaries of the claim and form no part of the claimed design.

1 Claim, 4 Drawing Sheets

(56) **References Cited**

U.S. PATENT DOCUMENTS

| | | | |
|--------------|---------|---------------------|---------|
| 3,705,760 A | 12/1972 | Langendorfer et al. | |
| 4,612,378 A | 11/1986 | Hatchman | |
| 5,012,527 A | 5/1991 | Michel | |
| 5,379,463 A | 1/1995 | Schleger et al. | |
| 5,666,664 A | 9/1997 | Hamilton | |
| D405,102 S * | 2/1999 | Moritz | D16/312 |
| 6,009,564 A | 1/2000 | Tackles et al. | |
| D428,039 S * | 7/2000 | Thixton | D16/312 |
| D519,147 S * | 4/2006 | Moritz | D16/312 |
| D577,054 S * | 9/2008 | Moritz | D16/312 |
| D578,562 S * | 10/2008 | Moritz | D16/312 |
| D616,483 S * | 5/2010 | Moritz | D16/312 |
| D616,914 S * | 6/2010 | Moritz | D16/312 |
| D649,577 S * | 11/2011 | Goodman | D16/312 |
| D678,932 S * | 3/2013 | Moritz | D16/312 |
| D682,479 S | 5/2013 | Buathier | |



(56)

References Cited

U.S. PATENT DOCUMENTS

D800,825 S * 10/2017 Frosi D16/313
D828,866 S * 9/2018 Yoo D16/313
D858,622 S * 9/2019 Xin D16/312
D862,570 S * 10/2019 Frosi D16/313
2008/0189838 A1* 8/2008 Mage A61F 9/02
2/436

OTHER PUBLICATIONS

Mugler, Thierry. Insects 1997, Resurrection Vintage. Available at least as early as 1997. Accessed at <https://www.resurrectionvintage.com/resblog/thierry-mugler--insects-1997/> on Aug. 30, 2018.

* cited by examiner

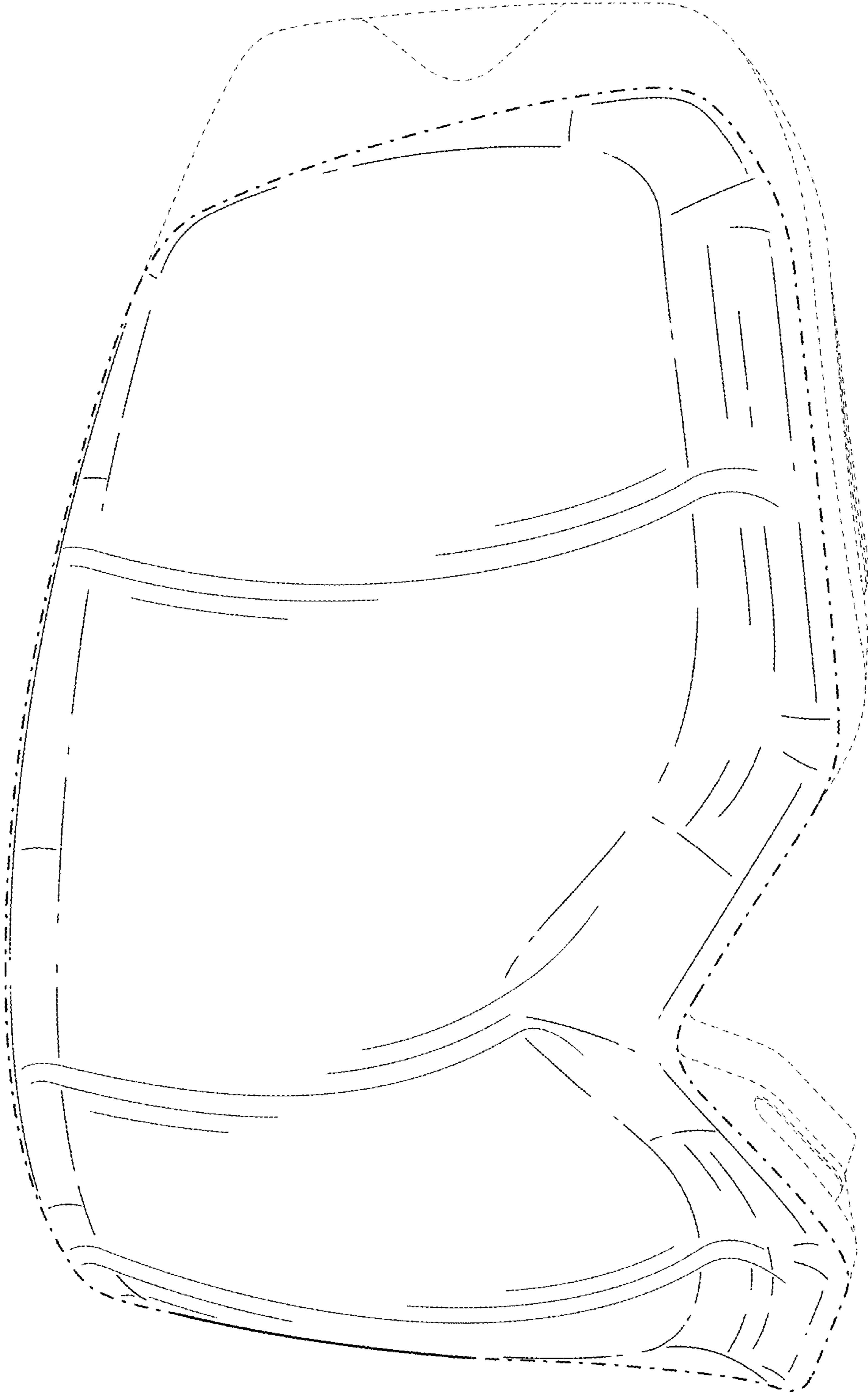


FIG. 1

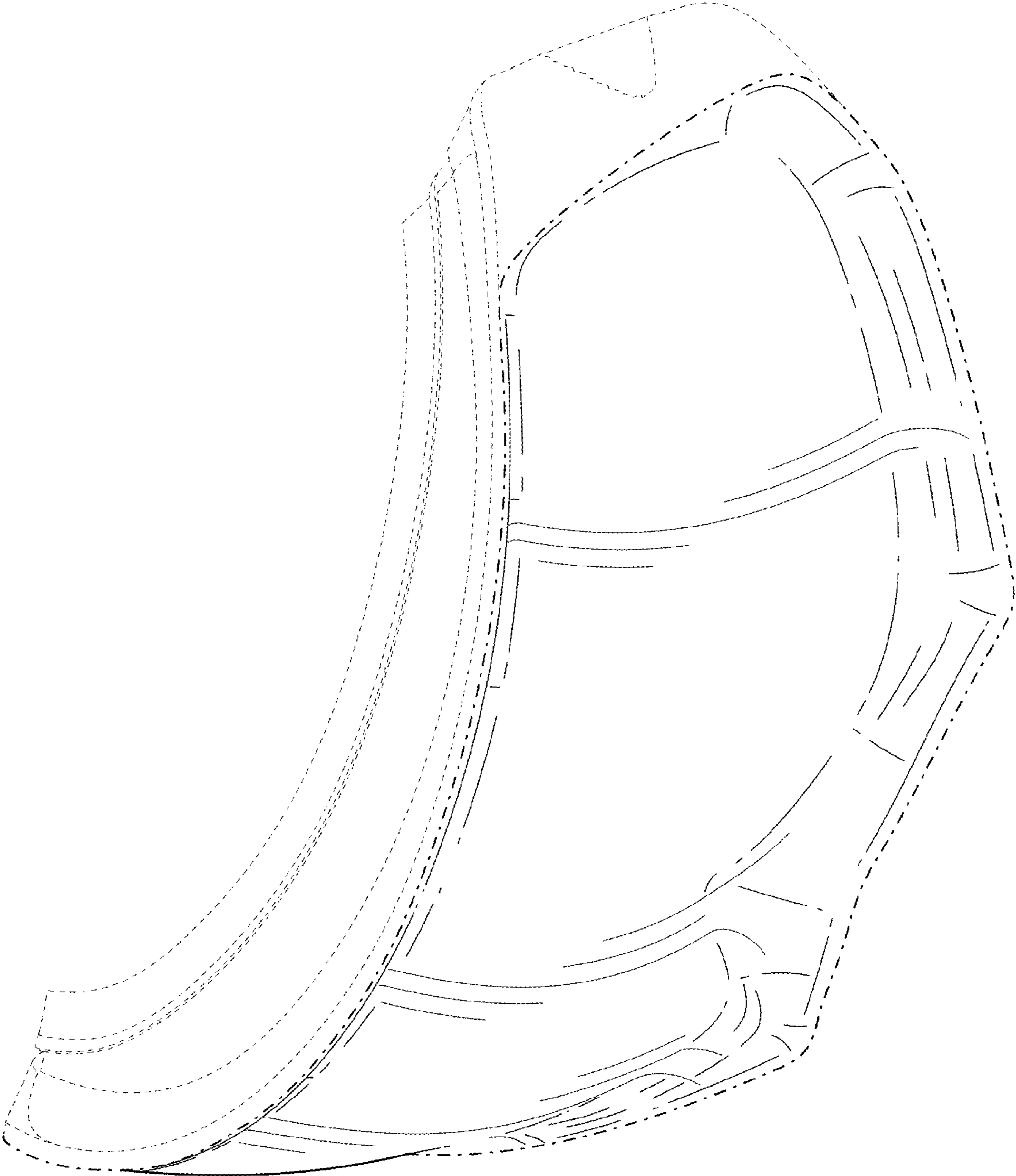


FIG. 2

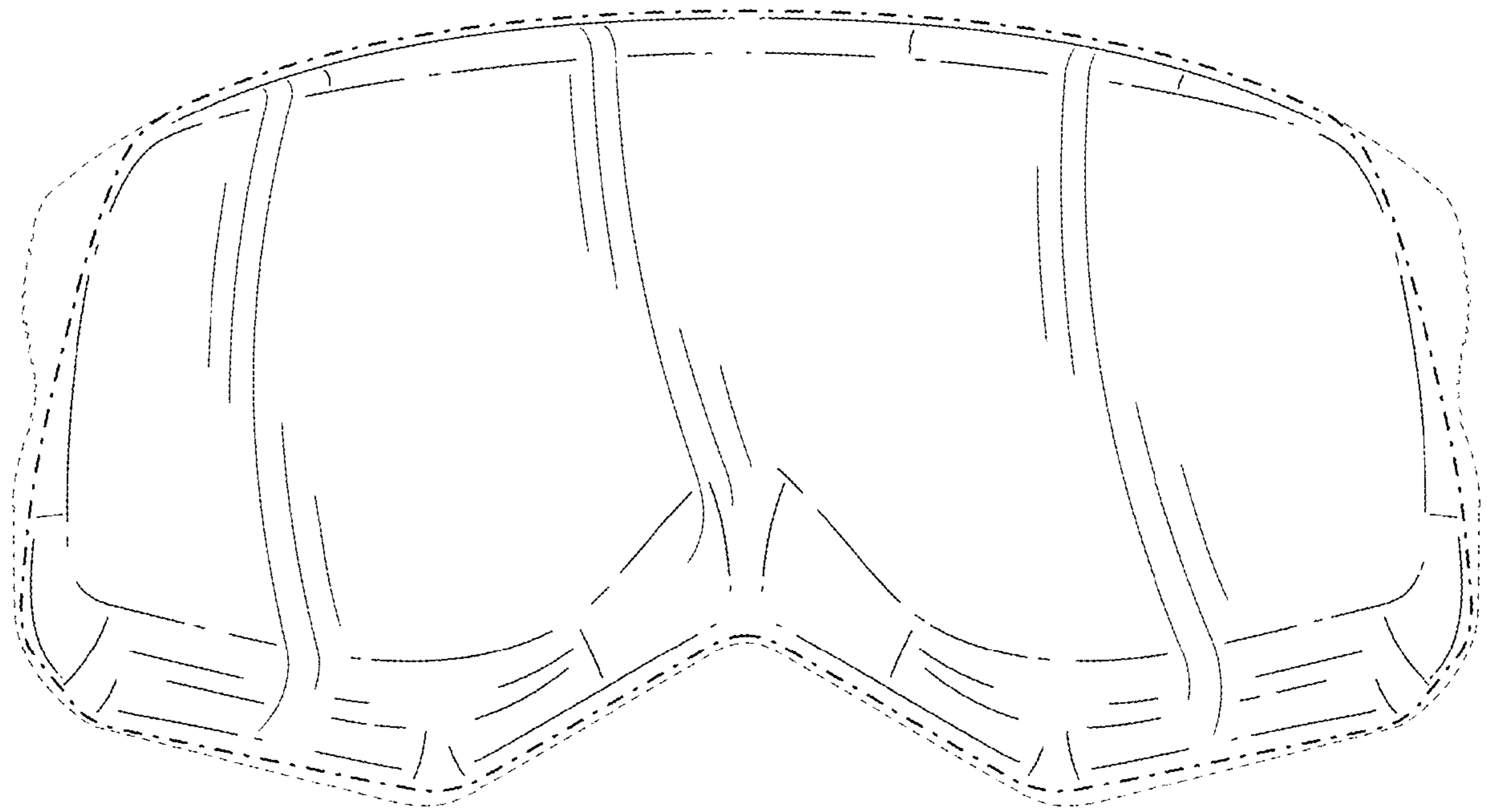


FIG. 3

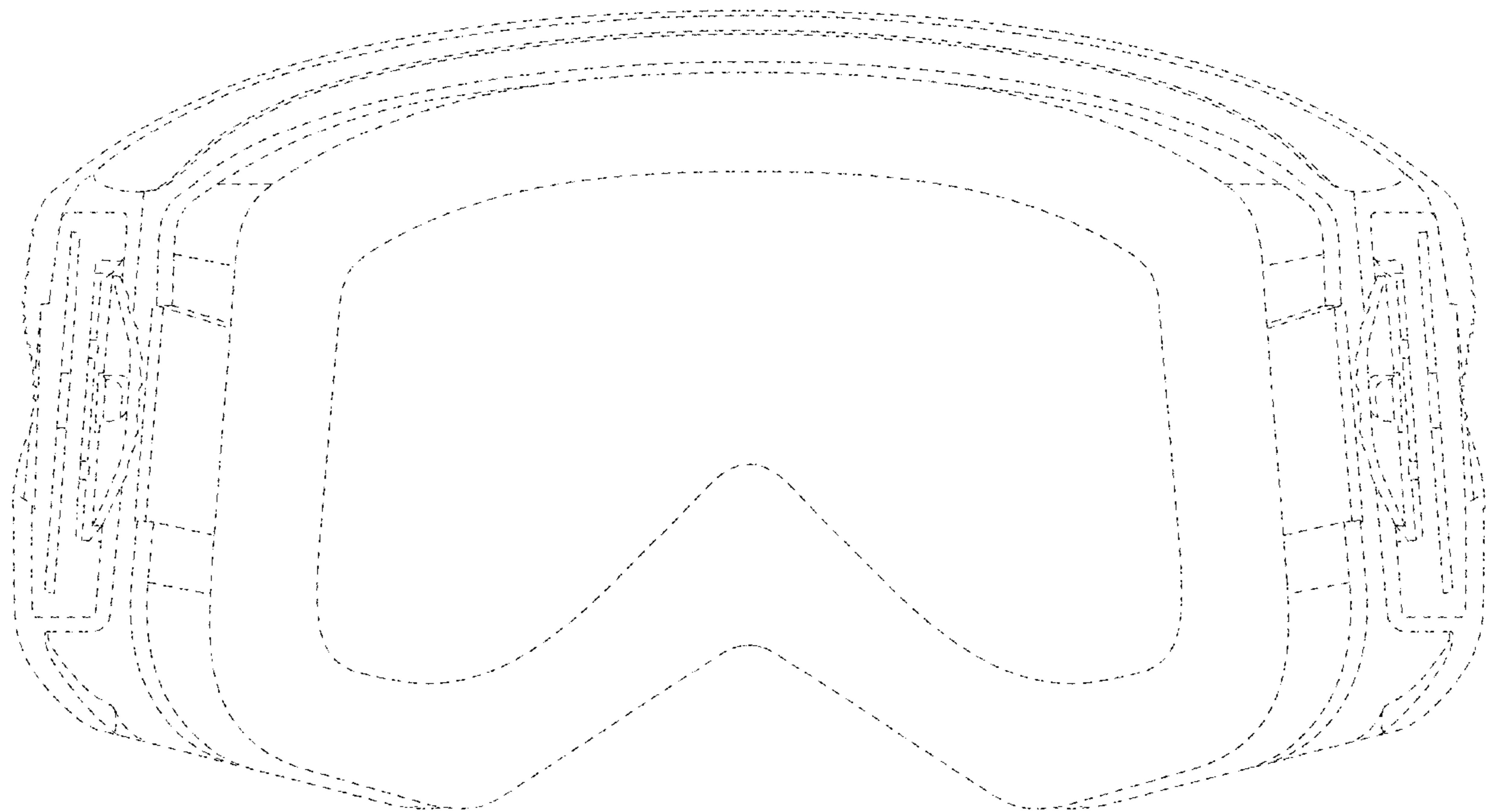


FIG. 4

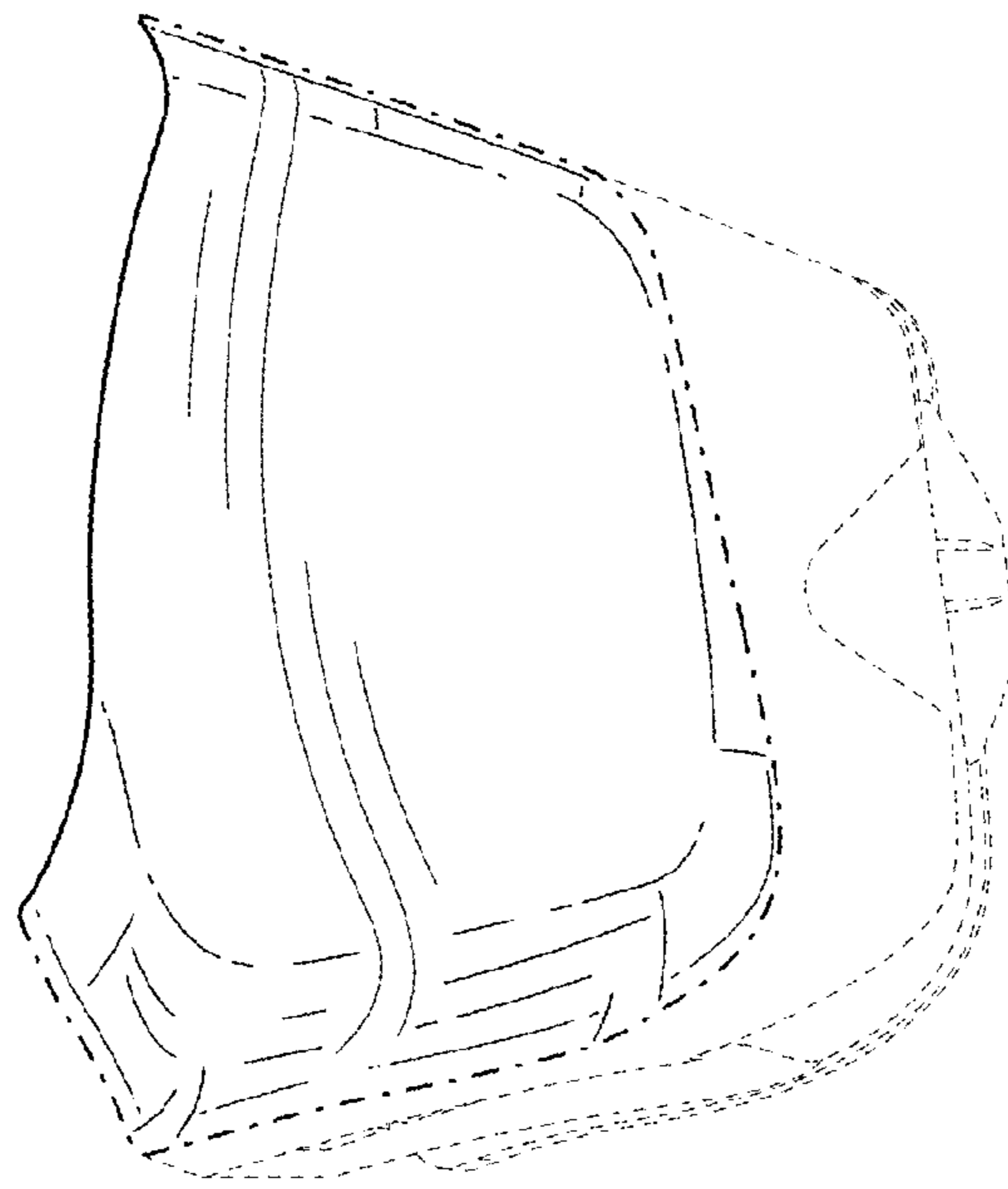


FIG. 5

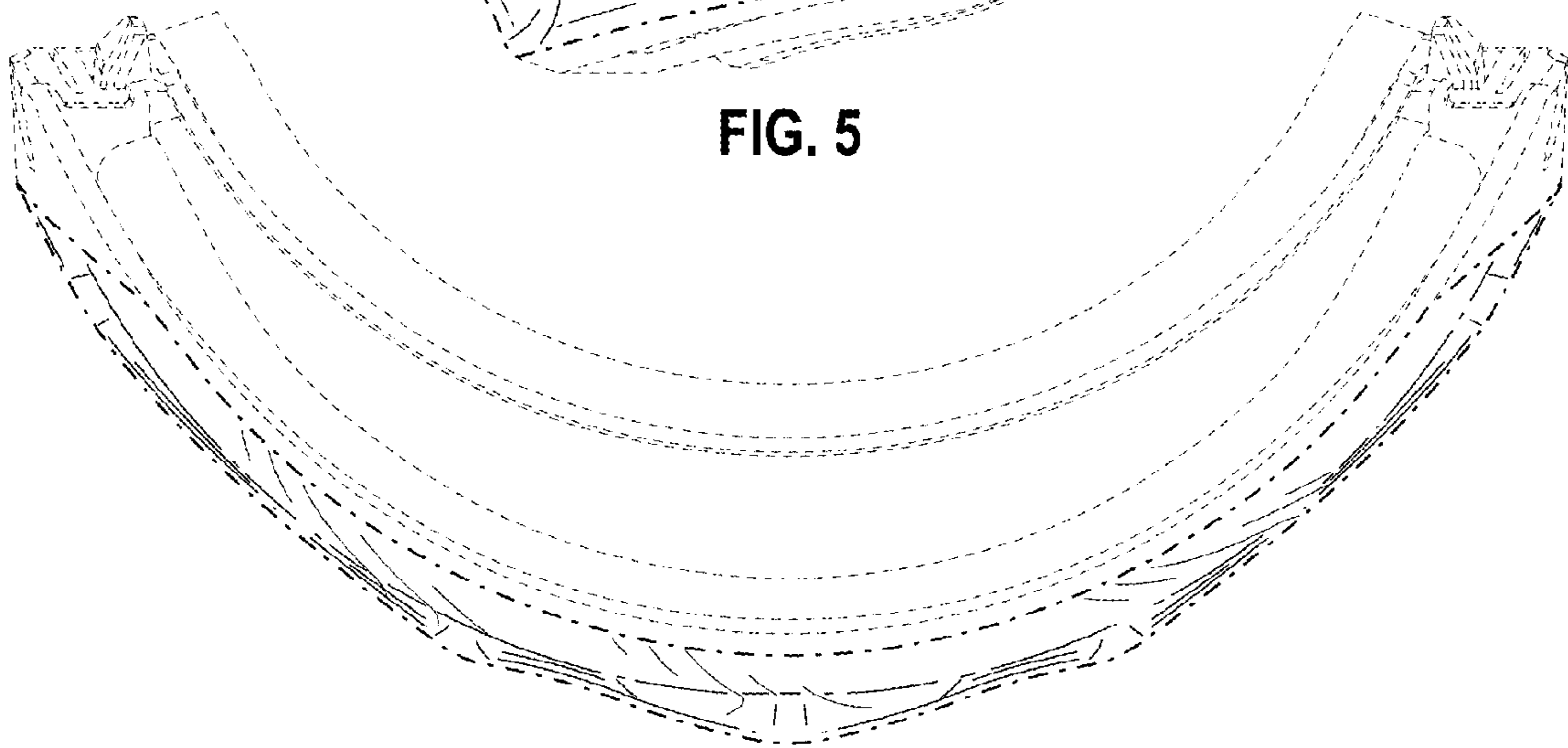


FIG. 6

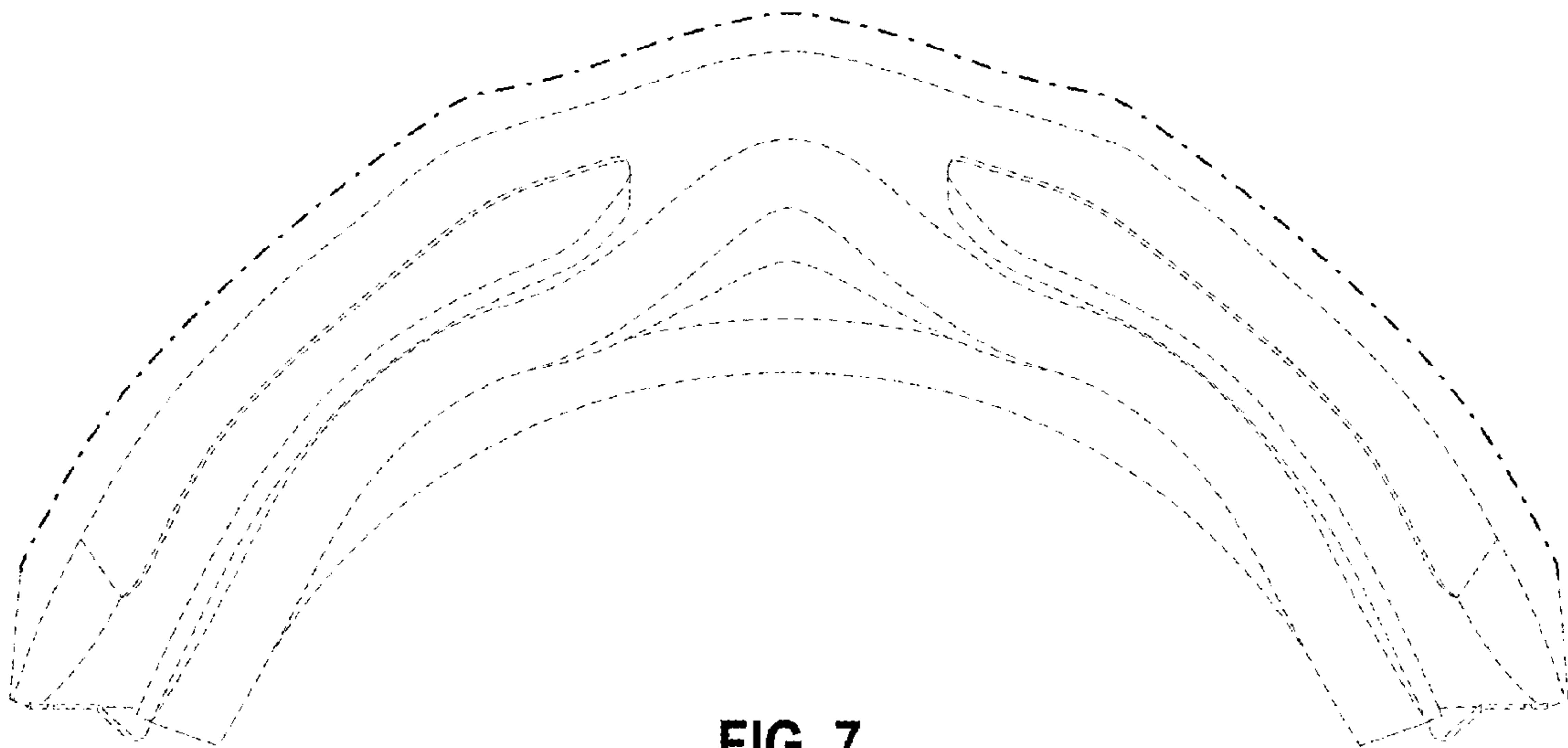


FIG. 7