



US00D892912S

(12) **United States Design Patent** (10) **Patent No.:** **US D892,912 S**
Lee (45) **Date of Patent:** **** Aug. 11, 2020**

(54) **EYEGLASSES**
(71) Applicant: **TRIMAX Safety Corporation**, Tainan (TW)
(72) Inventor: **John Lee**, Tainan (TW)
(73) Assignee: **TRIMAX Safety Corporation**, Tainan (TW)
(**) Term: **15 Years**

D721,124 S * 1/2015 Sheldon D16/309
D728,667 S * 5/2015 Chen D16/315
D729,865 S * 5/2015 Chen D16/311
D735,262 S * 7/2015 Hsu D16/309
D748,185 S * 1/2016 DiChiara D16/309
D748,186 S * 1/2016 DiChiara D16/309
D748,719 S * 2/2016 Hsu D16/326
D755,882 S * 5/2016 Keplinger D16/309
D775,267 S * 12/2016 Chen D16/326
D777,242 S * 1/2017 Seo D16/300
D834,086 S * 11/2018 Chandrasekhar D16/309
D869,102 S * 12/2019 Yi D30/144

* cited by examiner

(21) Appl. No.: **29/677,086**
(22) Filed: **Jan. 17, 2019**
(51) **LOC (12) Cl.** **16-06**
(52) **U.S. Cl.**
USPC **D16/309**; D16/311; D16/321; D16/327
(58) **Field of Classification Search**
USPC D16/100, 101, 300–329, 330, 332–342;
D29/106, 107, 110
CPC ... G02C 5/00; G02C 5/02; G02C 5/10; G02C
5/14; G02C 5/16
See application file for complete search history.

Primary Examiner — Cathron C Brooks
Assistant Examiner — Sharon S Oum

(74) *Attorney, Agent, or Firm* — Alan D. Kamrath; Mayer & Williams PC

(57) **CLAIM**

The ornamental design for the eyeglasses, as shown and described.

DESCRIPTION

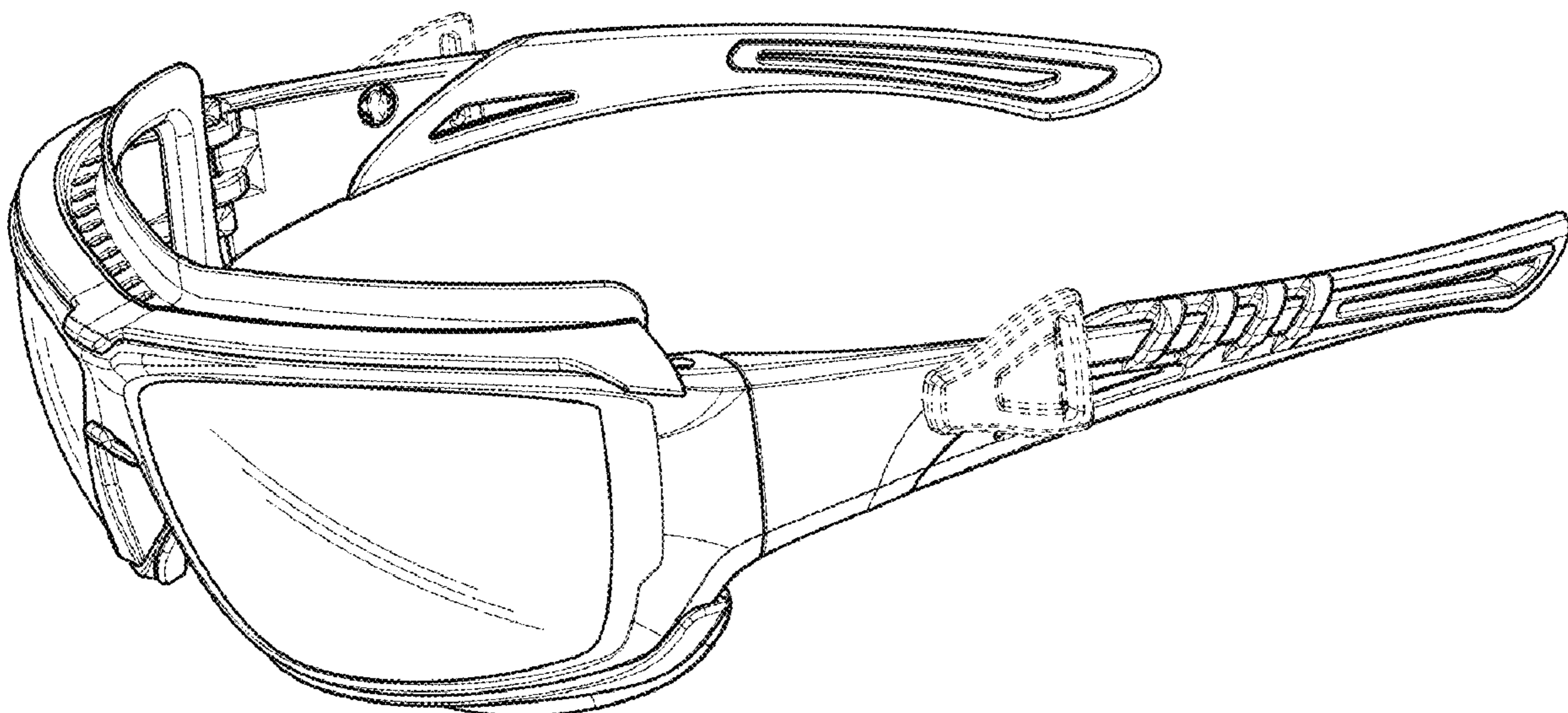
FIG. 1 is a perspective view of the eyeglasses showing my new design;
FIG. 2 is an another perspective view thereof.
FIG. 3 is a front elevation view thereof;
FIG. 4 is a rear elevation view thereof;
FIG. 5 is a left side elevation view thereof;
FIG. 6 is a right side elevation view thereof;
FIG. 7 is a top plan view thereof; and,
FIG. 8 is a bottom plan view thereof.
The broken lines illustrate portions of the eyeglasses and form no part of the claimed design.

(56) **References Cited**

U.S. PATENT DOCUMENTS

D535,678 S * 1/2007 Lane D16/311
D535,680 S * 1/2007 Chuang D16/311
D555,707 S * 11/2007 Hou D16/311
D626,582 S * 11/2010 Cheng D16/326
D683,387 S * 5/2013 Sheldon D16/309
D688,295 S * 8/2013 Sheldon D16/309
D689,116 S * 9/2013 Chen D16/309
D692,942 S * 11/2013 Sheldon D16/309
D704,248 S * 5/2014 DiChiara D16/309
D709,549 S * 7/2014 Sheldon D16/309

1 Claim, 8 Drawing Sheets



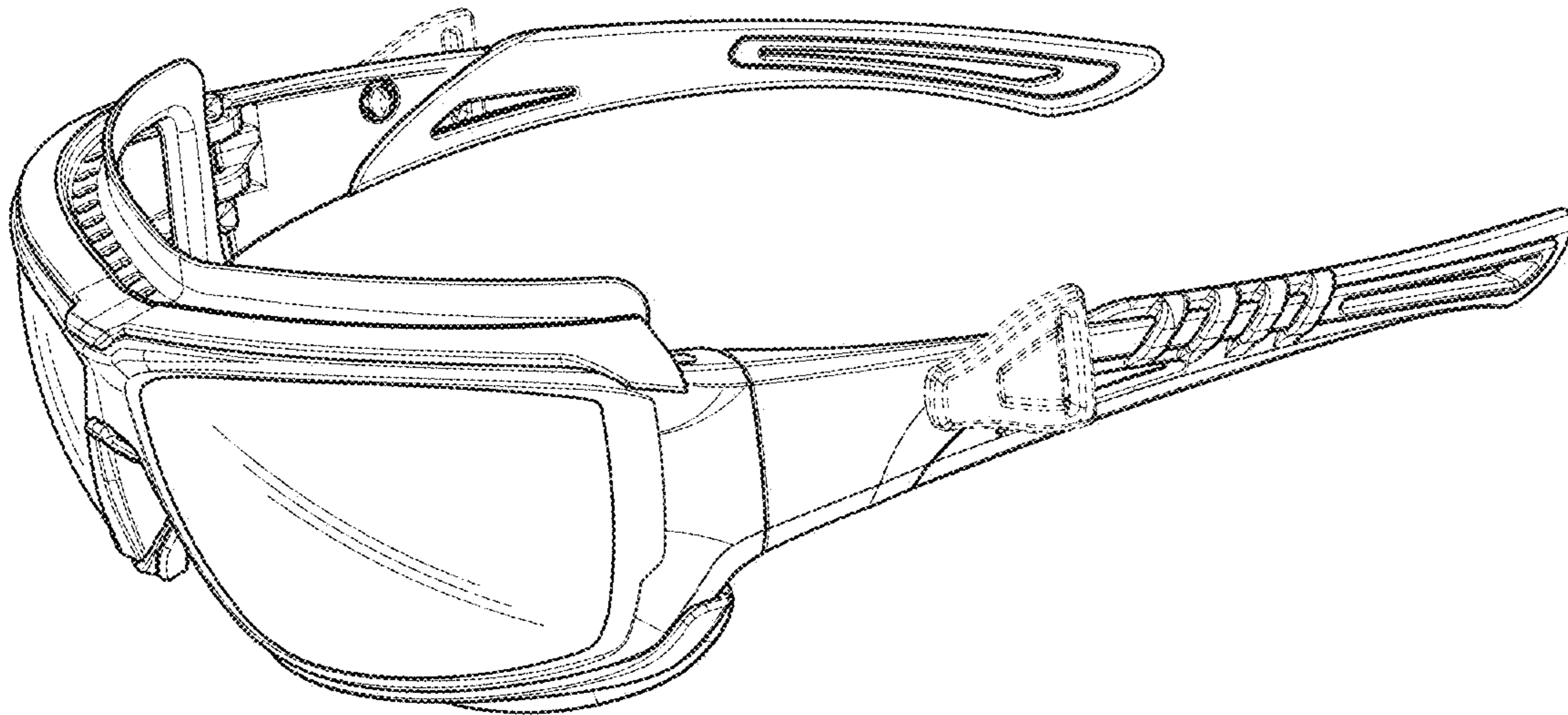


FIG. 1

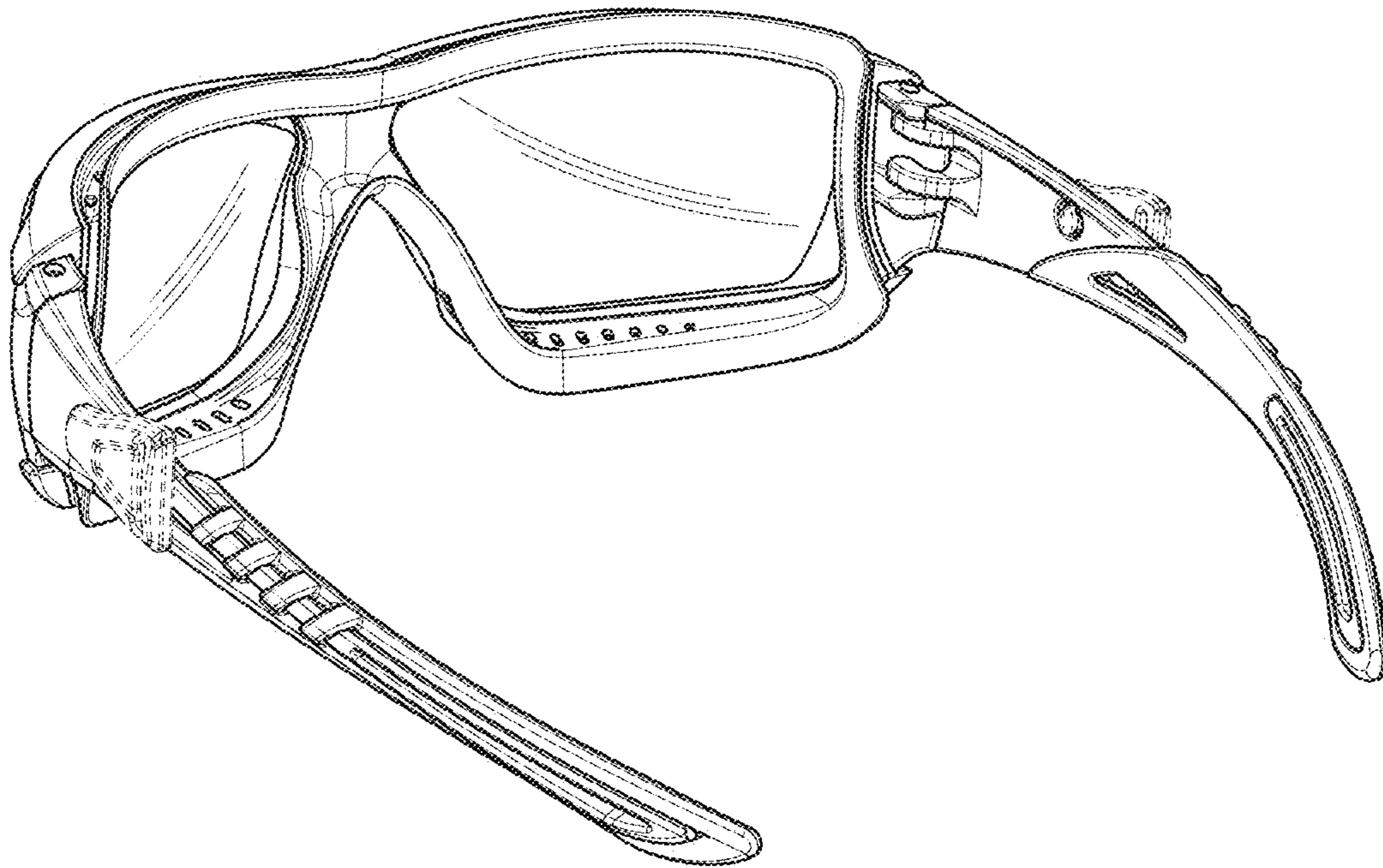


FIG. 2

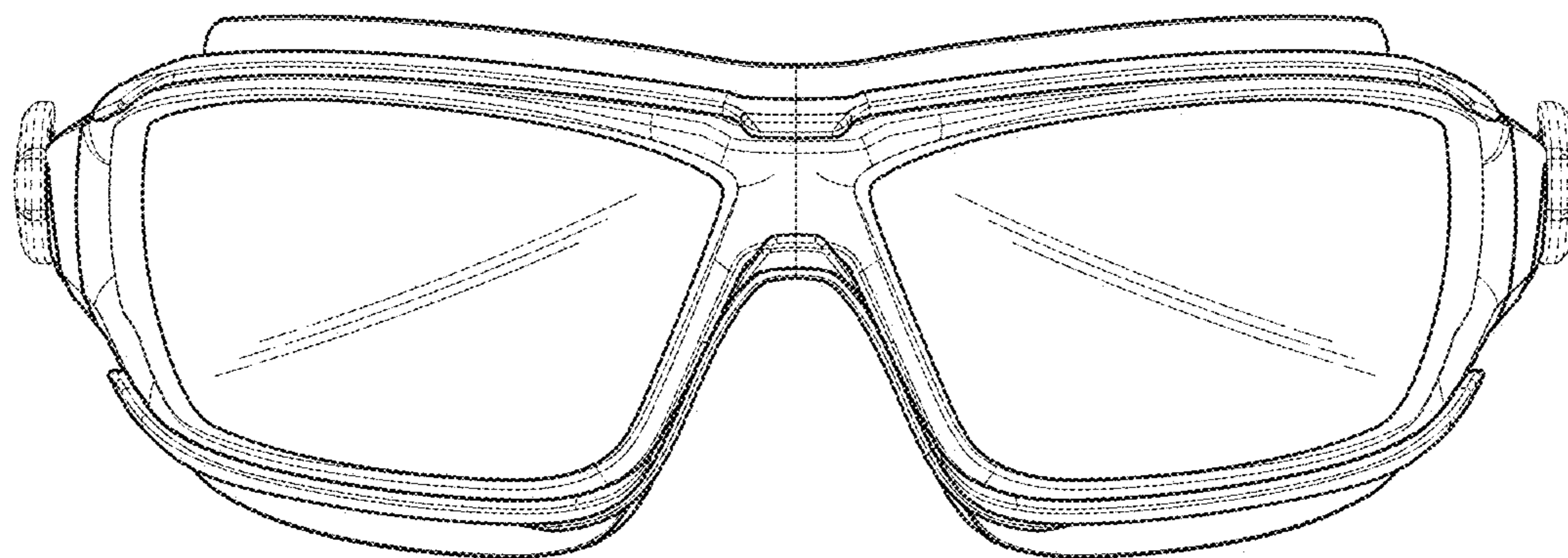


FIG. 3

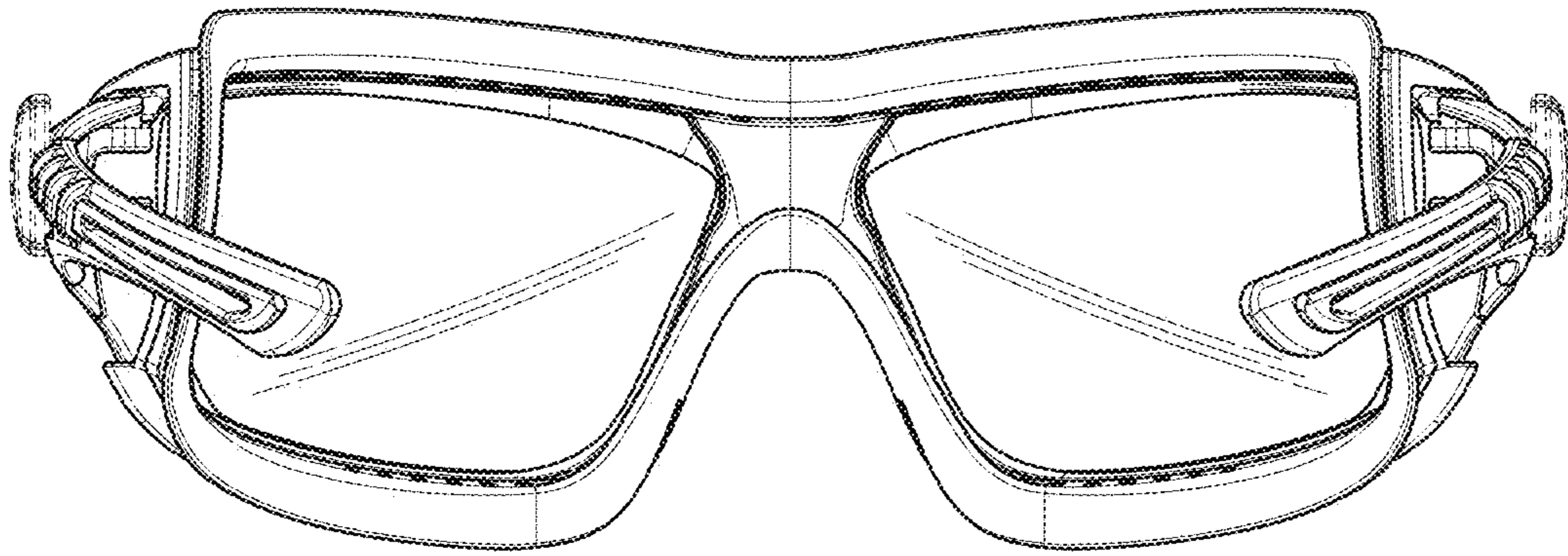
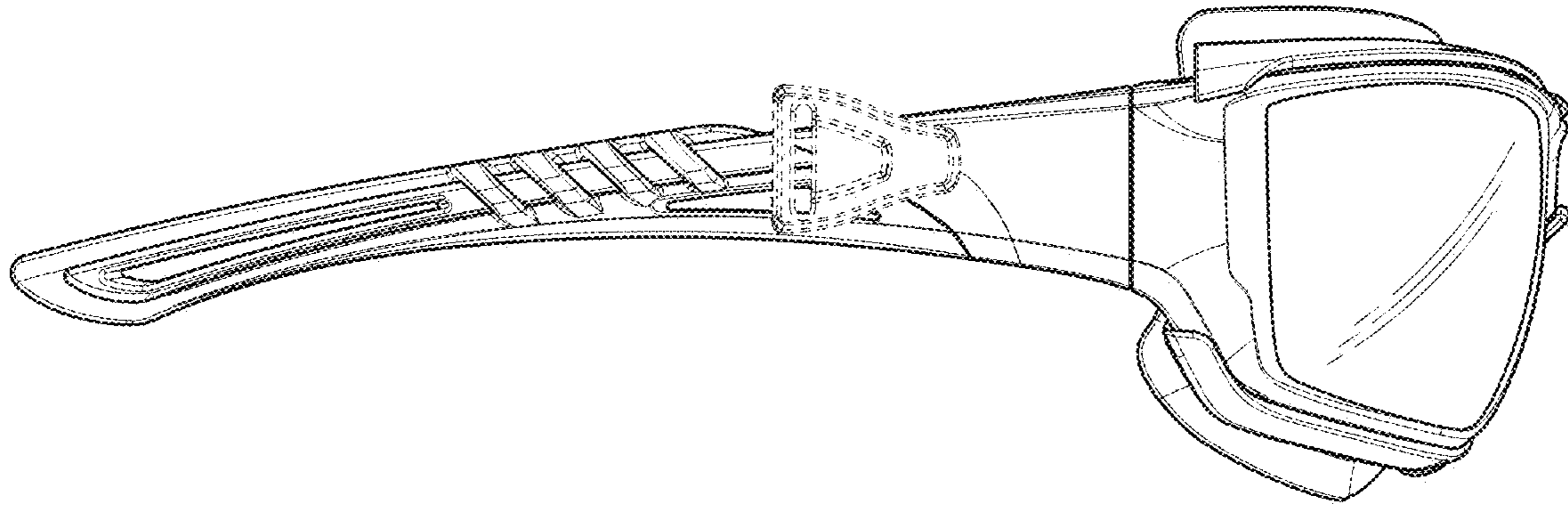


FIG. 4



F I G . 5

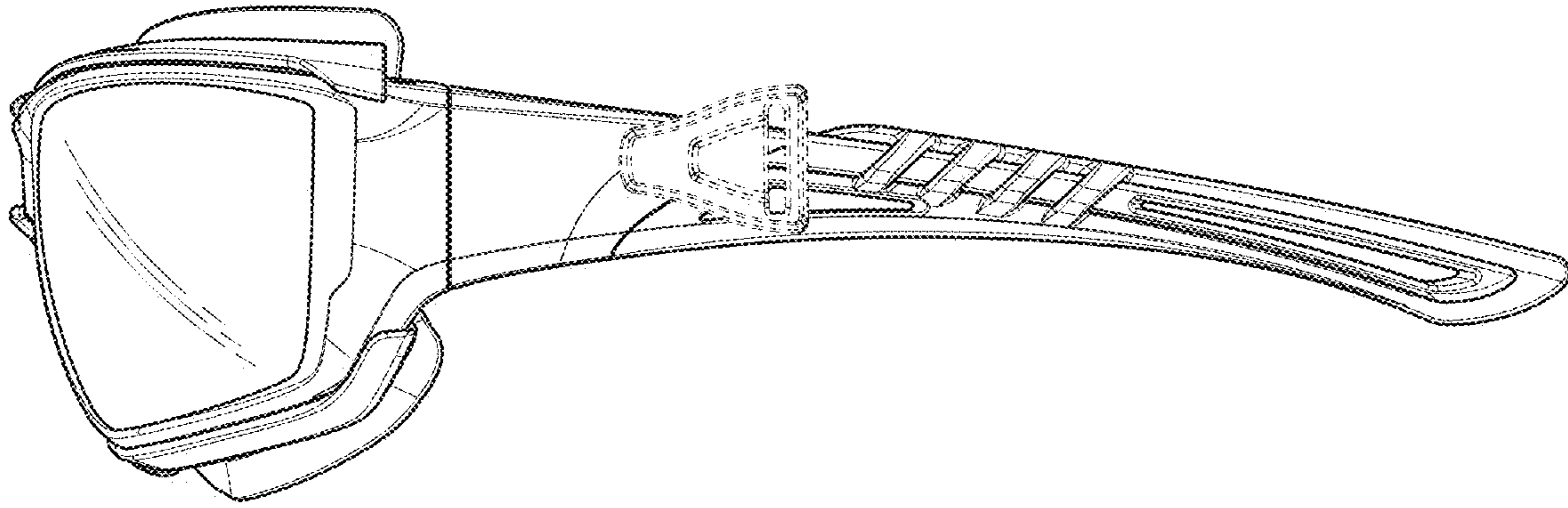


FIG. 6



FIG. 7

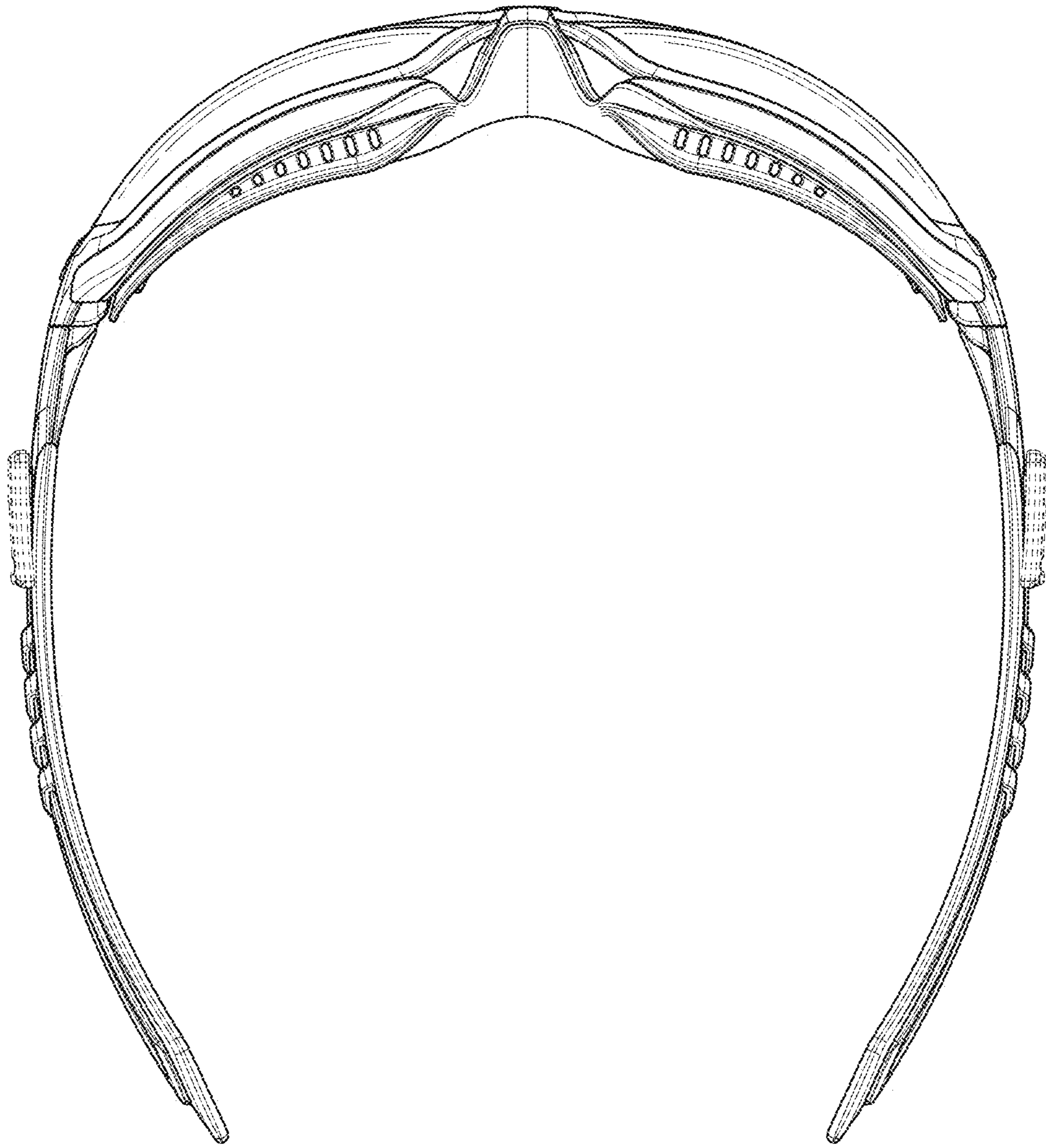


FIG. 8