



US00D892911S

(12) **United States Design Patent** (10) **Patent No.:** **US D892,911 S**  
**Kim et al.** (45) **Date of Patent:** **\*\* Aug. 11, 2020**

(54) **GIMBAL**

(71) Applicant: **SZ DJI TECHNOLOGY CO., LTD.**,  
Shenzhen (CN)

(72) Inventors: **Min Kim**, Shenzhen (CN); **Zhi-Hui Zhu**,  
Shenzhen (CN); **Xiao-Yu Tian**,  
Shenzhen (CN)

(73) Assignee: **SZ DJI TECHNOLOGY CO., LTD.**,  
Shenzhen (CN)

(\*\*) Term: **15 Years**

(21) Appl. No.: **29/704,739**

(22) Filed: **Sep. 6, 2019**

**Related U.S. Application Data**

(63) Continuation of application No. 29/688,578, filed on  
Apr. 23, 2019, now Pat. No. Des. 866,647, which is  
a continuation of application No. 29/632,363, filed on  
Jan. 8, 2018, now Pat. No. Des. 857,786.

(51) **LOC (12) Cl.** ..... **16-05**

(52) **U.S. Cl.**  
USPC ..... **D16/243**

(58) **Field of Classification Search**  
USPC ..... D16/208–209, 219, 237–250; D8/354,  
D8/355, 363, 373, 382–383, 394–396;  
D14/224, 229, 238, 251, 253, 447, 451,  
D14/457

CPC ..... F16M 11/06–11/10; F16M 11/14; G02B  
7/00–002; G03B 17/56; G03B  
17/561–568; H04N 5/2253–2254

See application file for complete search history.

(56) **References Cited**

**U.S. PATENT DOCUMENTS**

8,267,361 B1 \* 9/2012 Dordick ..... F16M 11/14  
248/178.1  
D780,825 S \* 3/2017 Kim ..... D10/103

D784,997 S \* 4/2017 Cheng ..... D14/447  
D794,606 S \* 8/2017 Zheng ..... D14/217  
D796,482 S \* 9/2017 Zheng ..... D14/217  
D799,448 S \* 10/2017 Zheng ..... D14/217  
9,800,786 B1 \* 10/2017 Wei ..... G03B 17/563  
D810,171 S \* 2/2018 Kim ..... D16/206  
D814,545 S \* 4/2018 Kim ..... D16/206

(Continued)

**FOREIGN PATENT DOCUMENTS**

CN 303509504 S 12/2015  
CN 303565161 S 1/2016

(Continued)

**OTHER PUBLICATIONS**

DJI Ronin-S Dare to Move DJI. [online] Published on Jan. 7, 2018.  
Retrieved Jun. 24, 2019 from URL: <https://www.dji.com/ronin-s>.\*

*Primary Examiner* — Vy N Koenig

(74) *Attorney, Agent, or Firm* — ScienBiziP, P.C.

(57) **CLAIM**

The ornamental design for a gimbal, as shown and  
described.

**DESCRIPTION**

FIG. 1 is a front perspective view of a gimbal showing our  
design.

FIG. 2 is a rear perspective view thereof.

FIG. 3 is a front elevation view thereof.

FIG. 4 is a rear elevation view thereof.

FIG. 5 is a left side elevation view thereof.

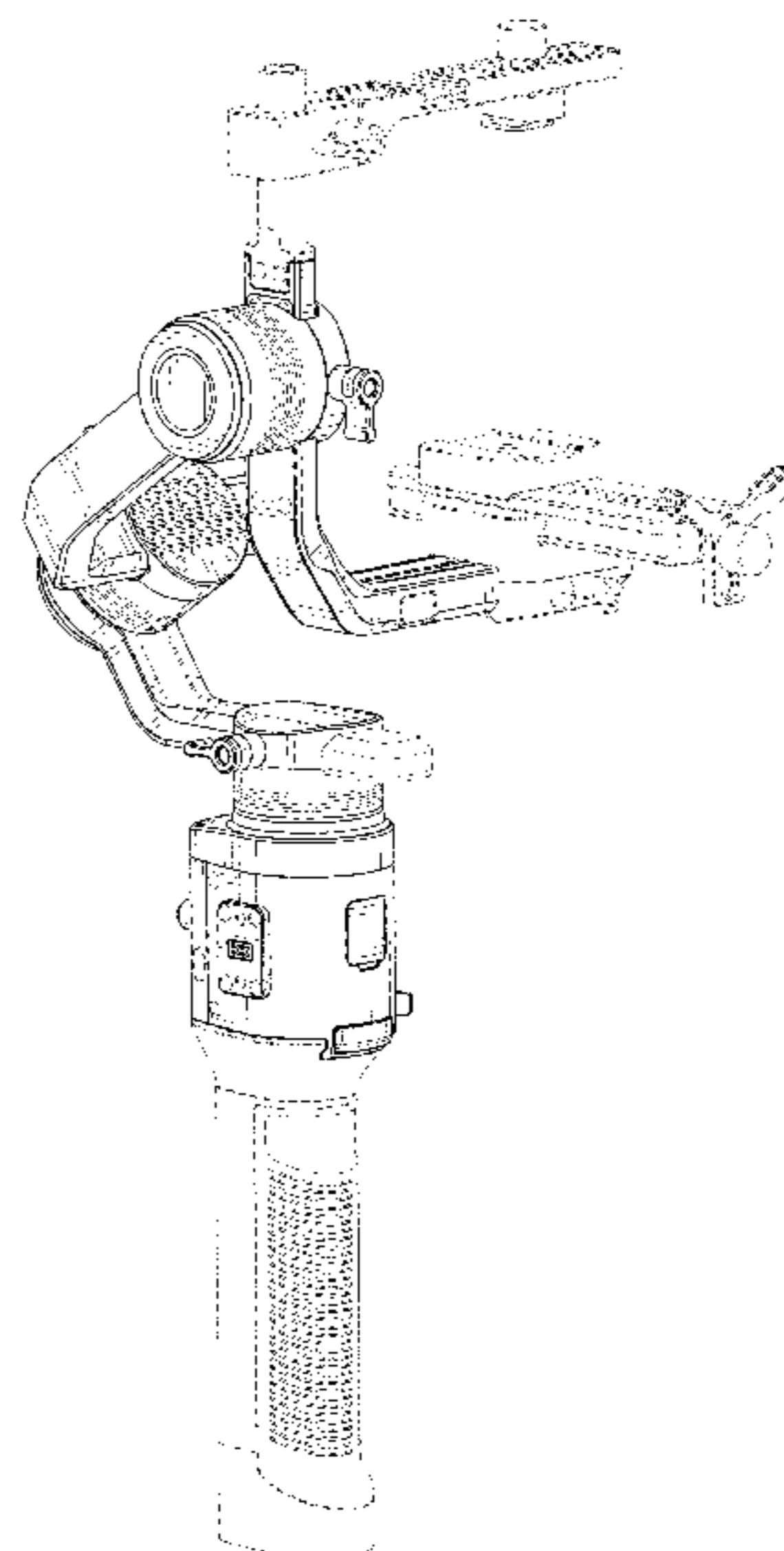
FIG. 6 is a right side elevation view thereof.

FIG. 7 is a top plan view thereof; and,

FIG. 8 is a bottom plan view thereof.

The broken lines in the drawings depict environmental  
structure and boundaries only and form no part of the  
claimed designs to be patented.

**1 Claim, 8 Drawing Sheets**



(56)

**References Cited**

**FOREIGN PATENT DOCUMENTS**

U.S. PATENT DOCUMENTS

D815,180	S *	4/2018	Kim	.....	D16/206
D824,882	S *	8/2018	Zheng	.....	D14/217
D826,310	S *	8/2018	Wang	.....	D16/243
D857,786	S *	8/2019	Kim	.....	D16/243
D860,170	S *	9/2019	Ding	.....	D14/217
D863,411	S *	10/2019	Liao	.....	D16/243
10,432,863	B2 *	10/2019	Appel	.....	F16M 11/10
D866,647	S *	11/2019	Kim	.....	D16/243
10,465,840	B2 *	11/2019	Gubler	.....	B64C 39/024
2016/0381271	A1 *	12/2016	Cheng	.....	F16M 11/041
					348/208.2
2017/0037995	A1 *	2/2017	Pan	.....	G03B 17/561
2017/0064176	A1 *	3/2017	Kim	.....	F16M 11/18
2017/0146892	A1 *	5/2017	Wei	.....	F16M 11/045
2017/0191613	A1 *	7/2017	Liu	.....	F16M 11/12
2017/0241589	A1 *	8/2017	Wang	.....	F16M 11/18
2017/0307136	A1 *	10/2017	Wei	.....	G03B 17/561
2018/0031951	A1 *	2/2018	Wang	.....	G03B 17/561

CN	303572923	S	1/2016
CN	303933788	S	11/2016
CN	303933792	S	11/2016
CN	303950098	S	11/2016
CN	303959959	S	12/2016
CN	303969930	S	12/2016
CN	304006157	S	1/2017
CN	304019018	S	1/2017
CN	304057342	S	2/2017
CN	304118256	S	4/2017
CN	304322279	S	10/2017
CN	304400849	S	12/2017
CN	304432372	S	12/2017
JP	D1557793		9/2016
JP	D1559060		9/2016

\* cited by examiner

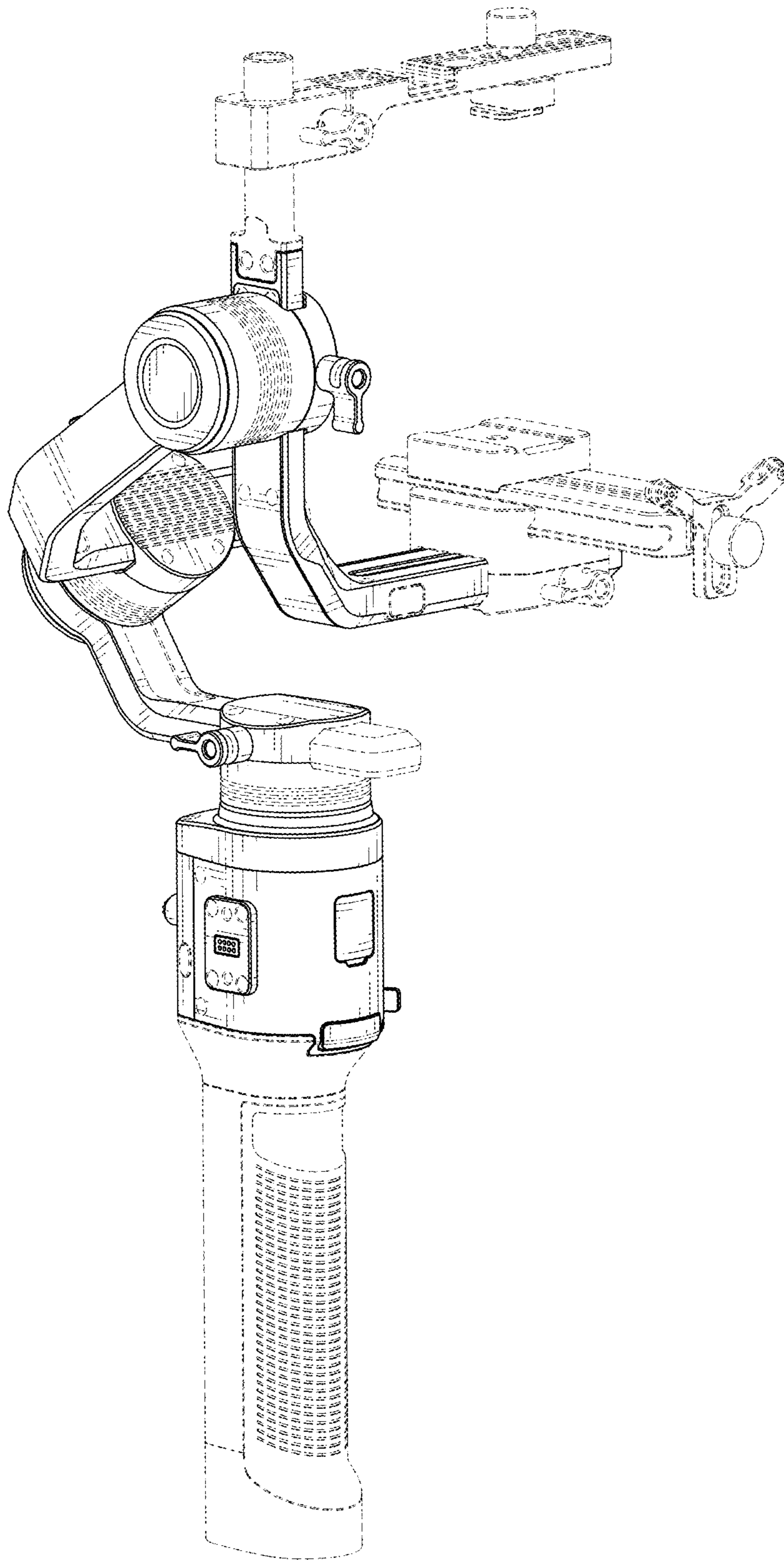


FIG. 1

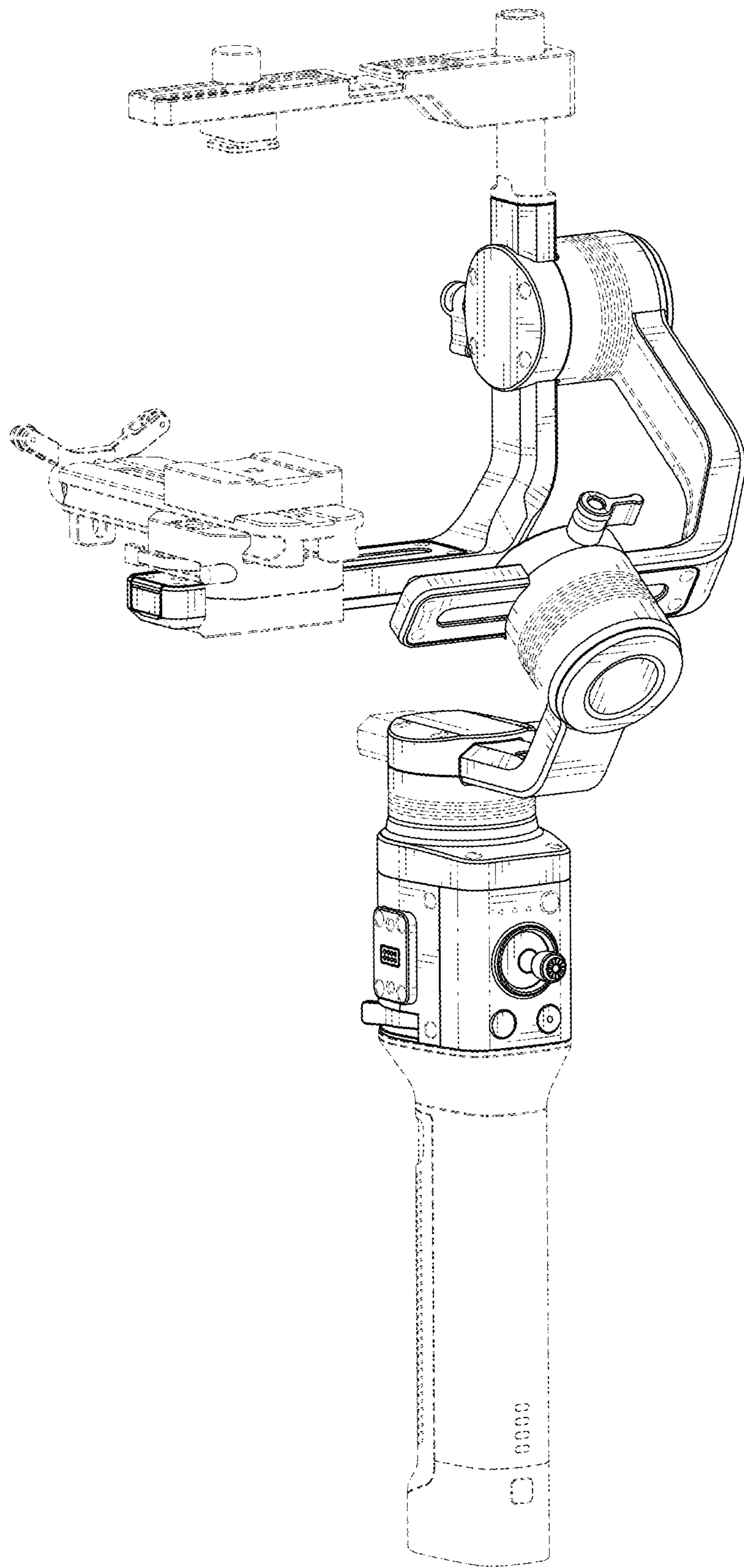


FIG. 2



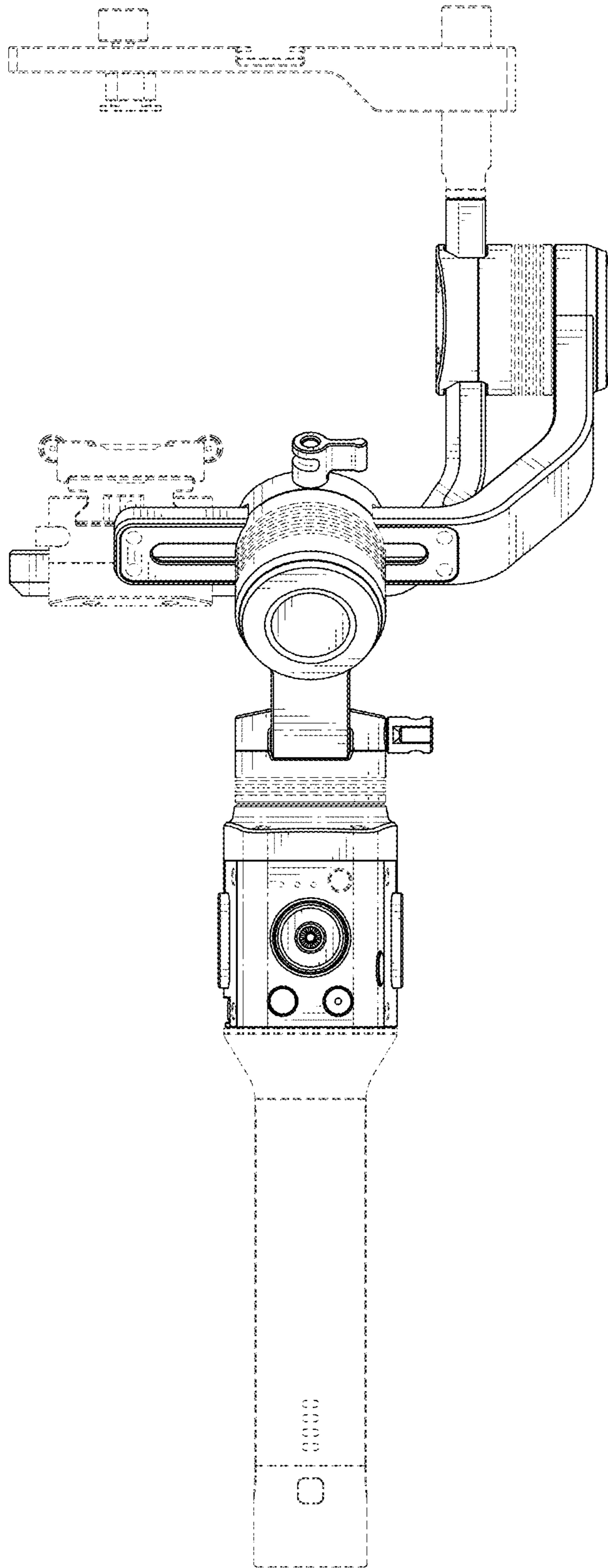


FIG. 3

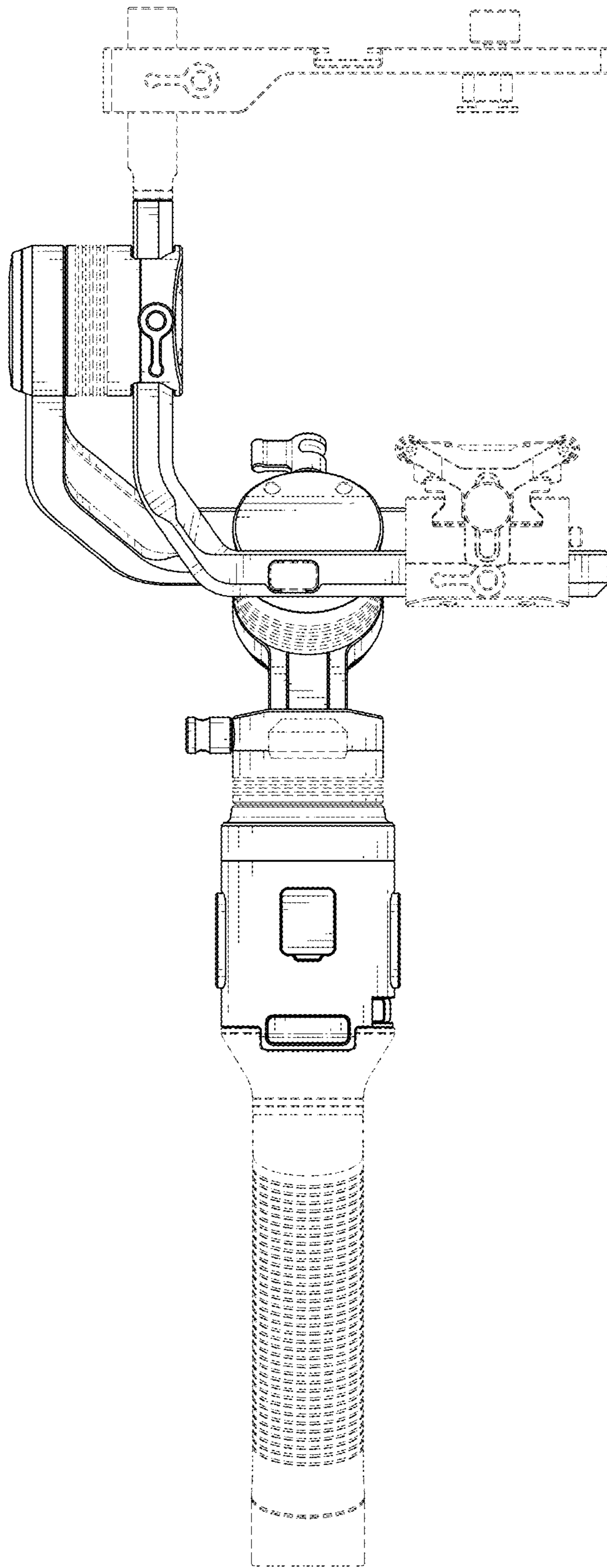


FIG. 4

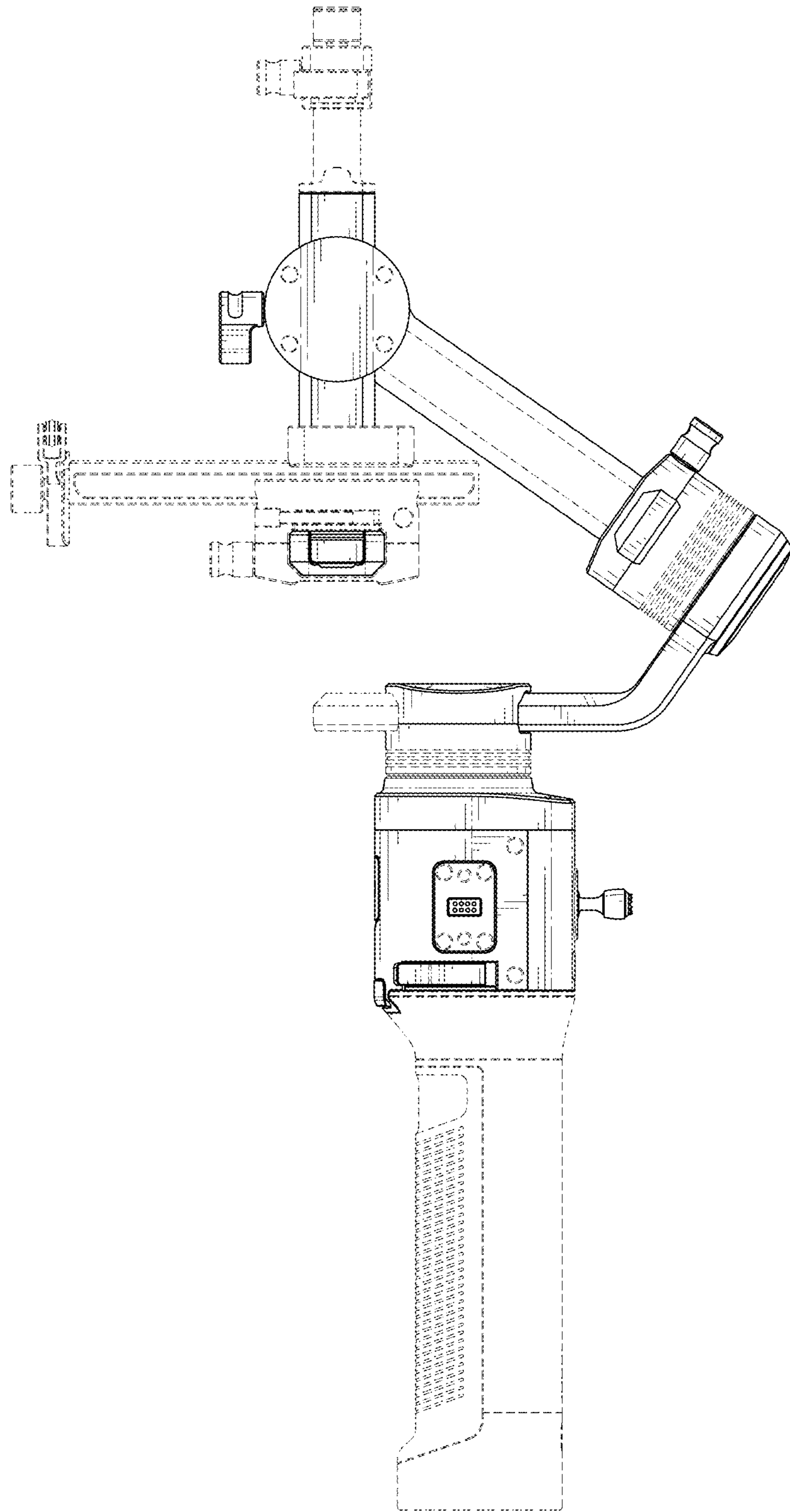


FIG. 5

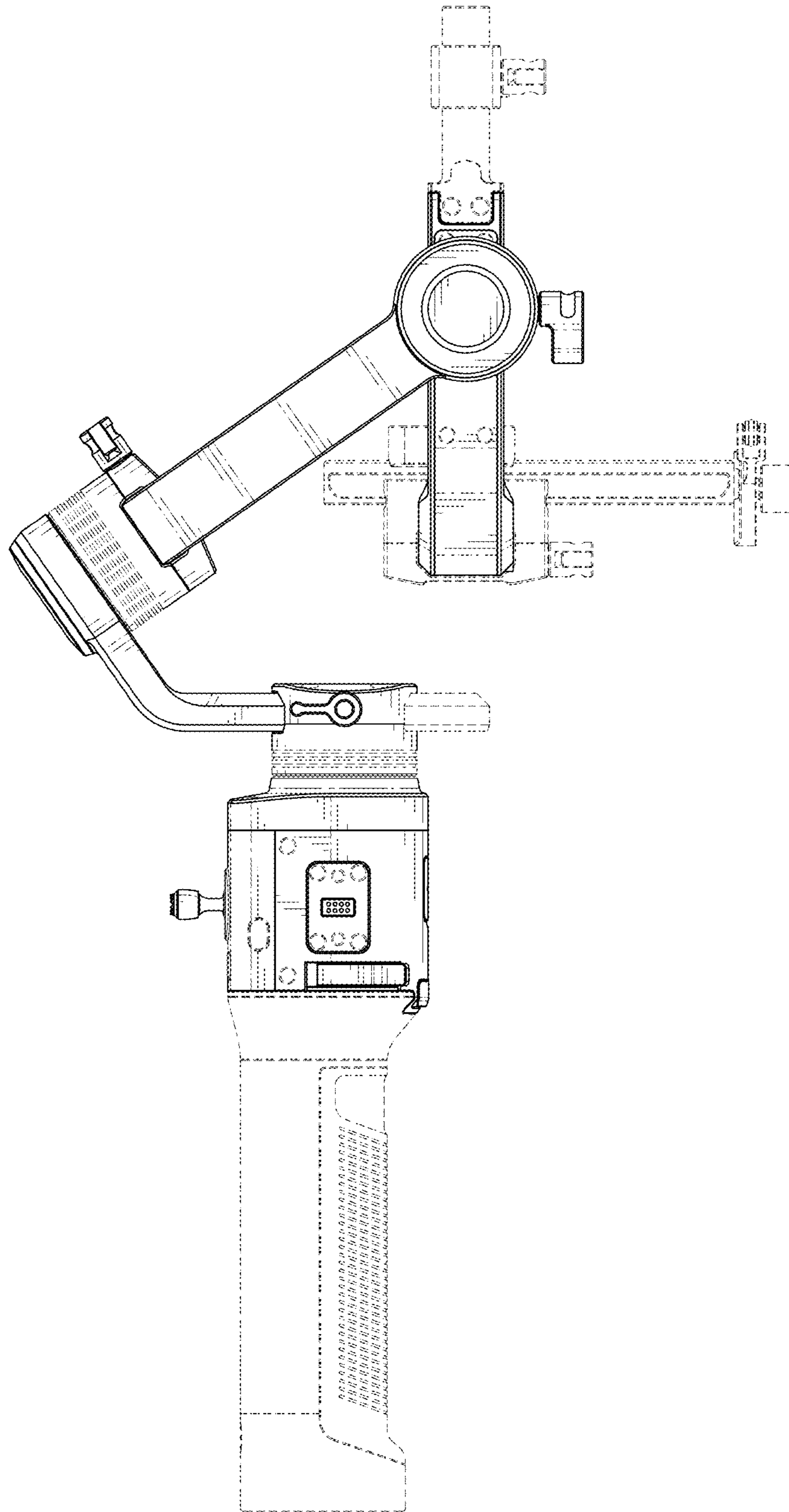


FIG. 6



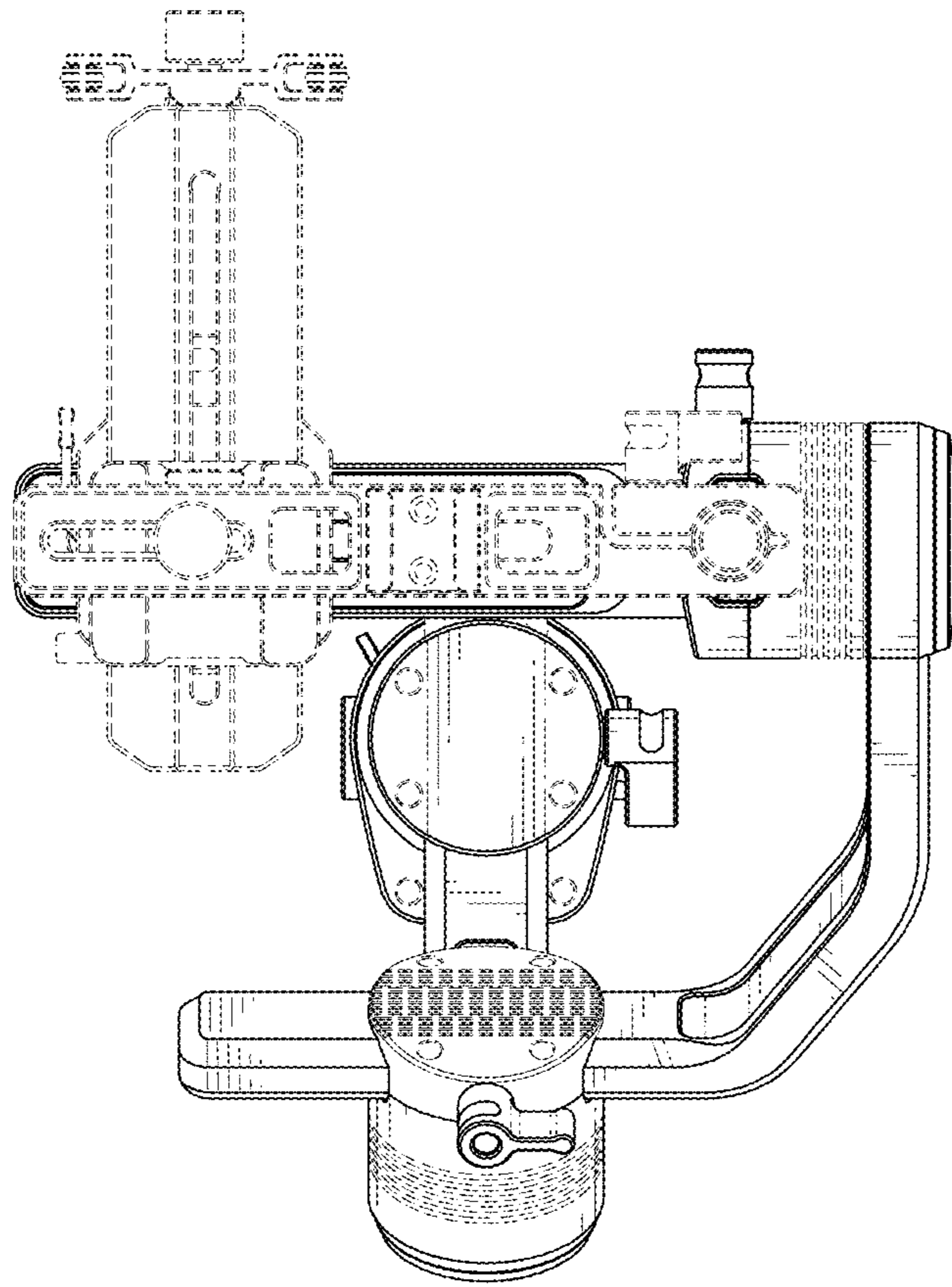


FIG. 7

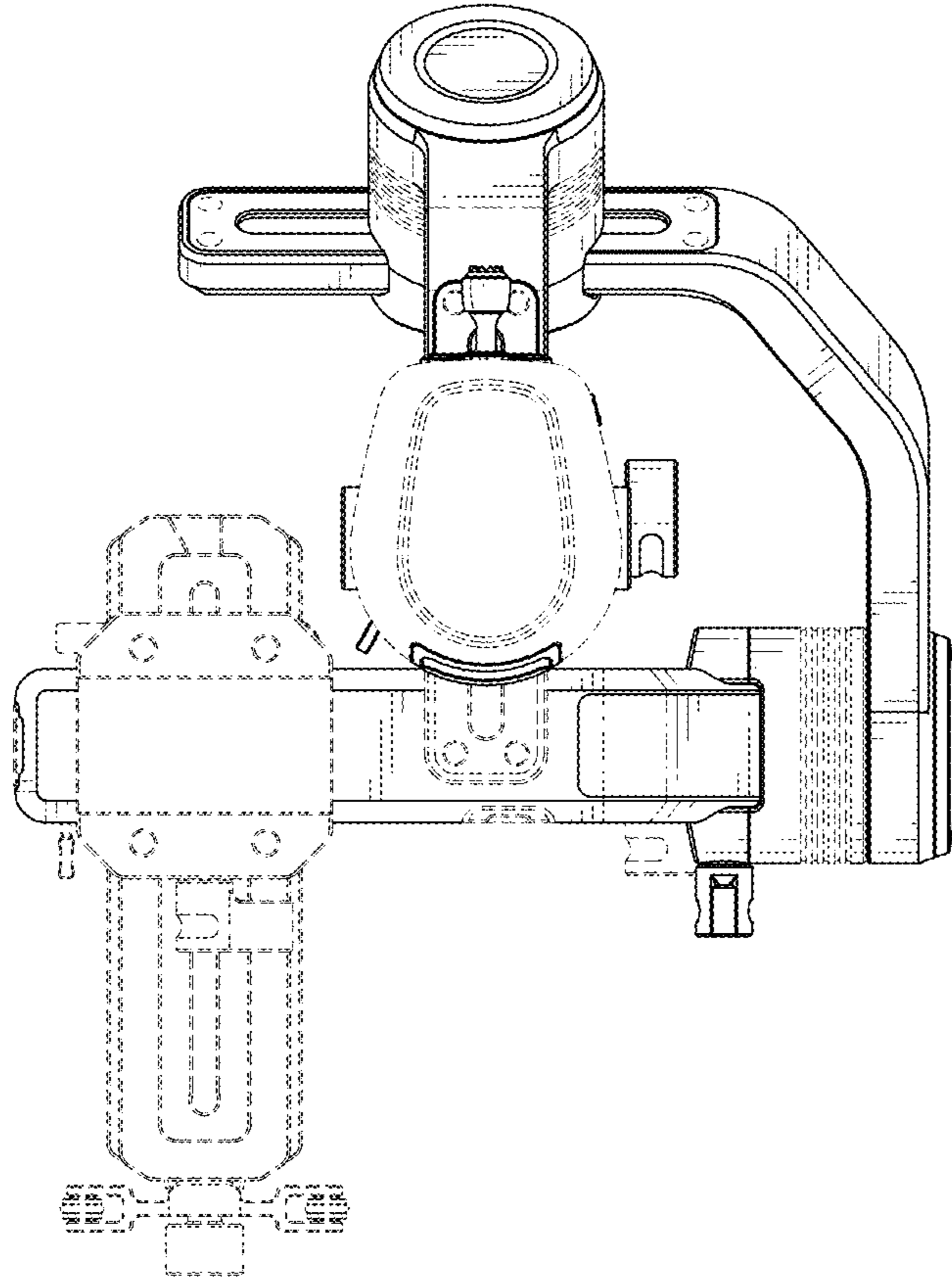


FIG. 8