



US00D892910S

(12) **United States Design Patent**  
**Zhang**

(10) **Patent No.:** **US D892,910 S**

(45) **Date of Patent:** **\*\* Aug. 11, 2020**

(54) **CAMERA MOUNT**

(71) Applicant: **Zhongshan Forever Photographic Equipment Co. Ltd**, Zhongshan, Guangdong (CN)

(72) Inventor: **Shenghua Zhang**, Zhongshan (CN)

(73) Assignee: **ZHONGSHAN FOREVER PHOTOGRAPHIC EQUIPMENT CO. LTD** (CN)

(\*\*) Term: **15 Years**

(21) Appl. No.: **29/684,473**

(22) Filed: **Mar. 21, 2019**

(30) **Foreign Application Priority Data**

Jan. 10, 2019 (CN) ..... 2019 3 0013583

(51) **LOC (12) Cl.** ..... **16-05**

(52) **U.S. Cl.**  
USPC ..... **D16/242**

(58) **Field of Classification Search**  
USPC ..... D16/219, 237-250; D8/354, 355, 363, D8/373, 382-383, 394-396; D14/224, D14/229, 238, 251, 253, 356, 447, 451, D14/457

CPC ..... A45F 5/00; A45F 5/10; A45F 2200/0508-0533; F16M 11/06-10; F16M 11/14; G02B 7/00-002; G03B 17/56; G03B 17/561-566; H04N 5/2253-2254  
See application file for complete search history.

(56) **References Cited**

**U.S. PATENT DOCUMENTS**

D782,294 S \* 3/2017 Dordick ..... D8/396  
D795,328 S \* 8/2017 Martin ..... D16/242  
D803,674 S \* 11/2017 Carnevali ..... D8/382

D835,505 S \* 12/2018 De Los Santos ..... D8/396  
D841,075 S \* 2/2019 Martin ..... D16/242  
10,288,987 B2 \* 5/2019 Olmos-Calderon ... F16M 11/10  
D869,545 S \* 12/2019 Lee ..... D16/242  
2015/0286115 A1 \* 10/2015 Koch ..... F16M 13/00  
248/615

**OTHER PUBLICATIONS**

Top 10 Best GoPro Bike Mounts in 2020. [online] Published on Dec. 21, 2019. Retrieved Mar. 10, 2020 from URL: <https://buyinghack.com/gopro-bike-mounts/>.\*

Bike Handlebar Mount Clamp Adapter for Xiaomi Yi Sports Camera. [online] Published Apr. 2, 2015. Retrieved Mar. 10, 2020 from URL: <https://www.honorbuy.com/265-bike-handlebar-mount-clamp-adapter-for-xiaomi-yi-sports-camera.html>.\*

\* cited by examiner

*Primary Examiner* — Vy N Koenig

(74) *Attorney, Agent, or Firm* — Ostrolenk Faber LLP

(57) **CLAIM**

The ornamental design for a camera mount, as shown and described.

**DESCRIPTION**

FIG. 1 is a front view of a camera mount showing my new design;

FIG. 2 is a rear view thereof;

FIG. 3 is a left view thereof;

FIG. 4 is a right view thereof;

FIG. 5 is a top view thereof;

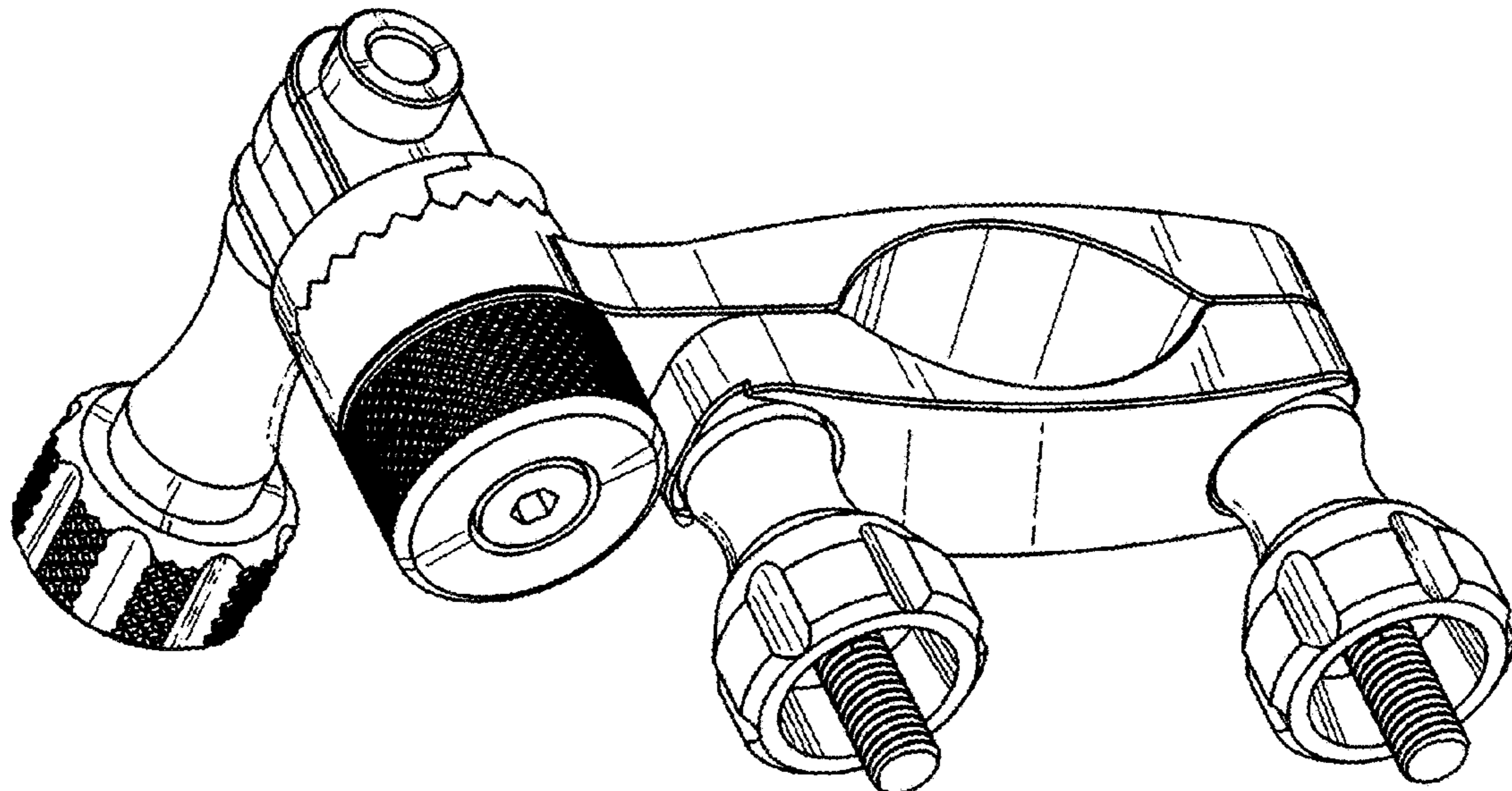
FIG. 6 is a bottom view thereof;

FIG. 7 is a front perspective view thereof; and,

FIG. 8 is a rear perspective view thereof.

The shade lines shown in the drawings indicate the character and contour of surfaces represented and should not be confused with surface ornamentation.

**1 Claim, 8 Drawing Sheets**



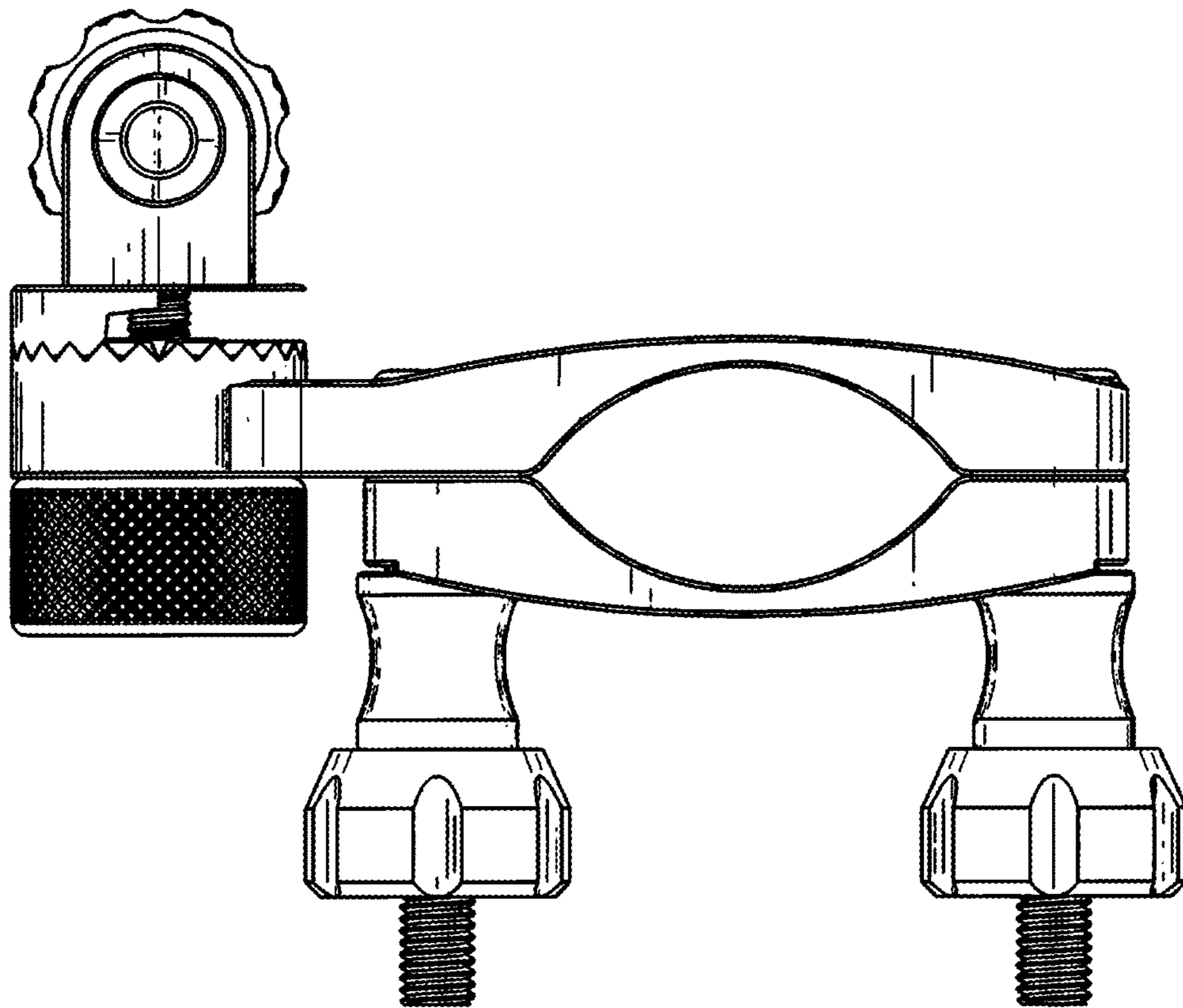


FIG. 1

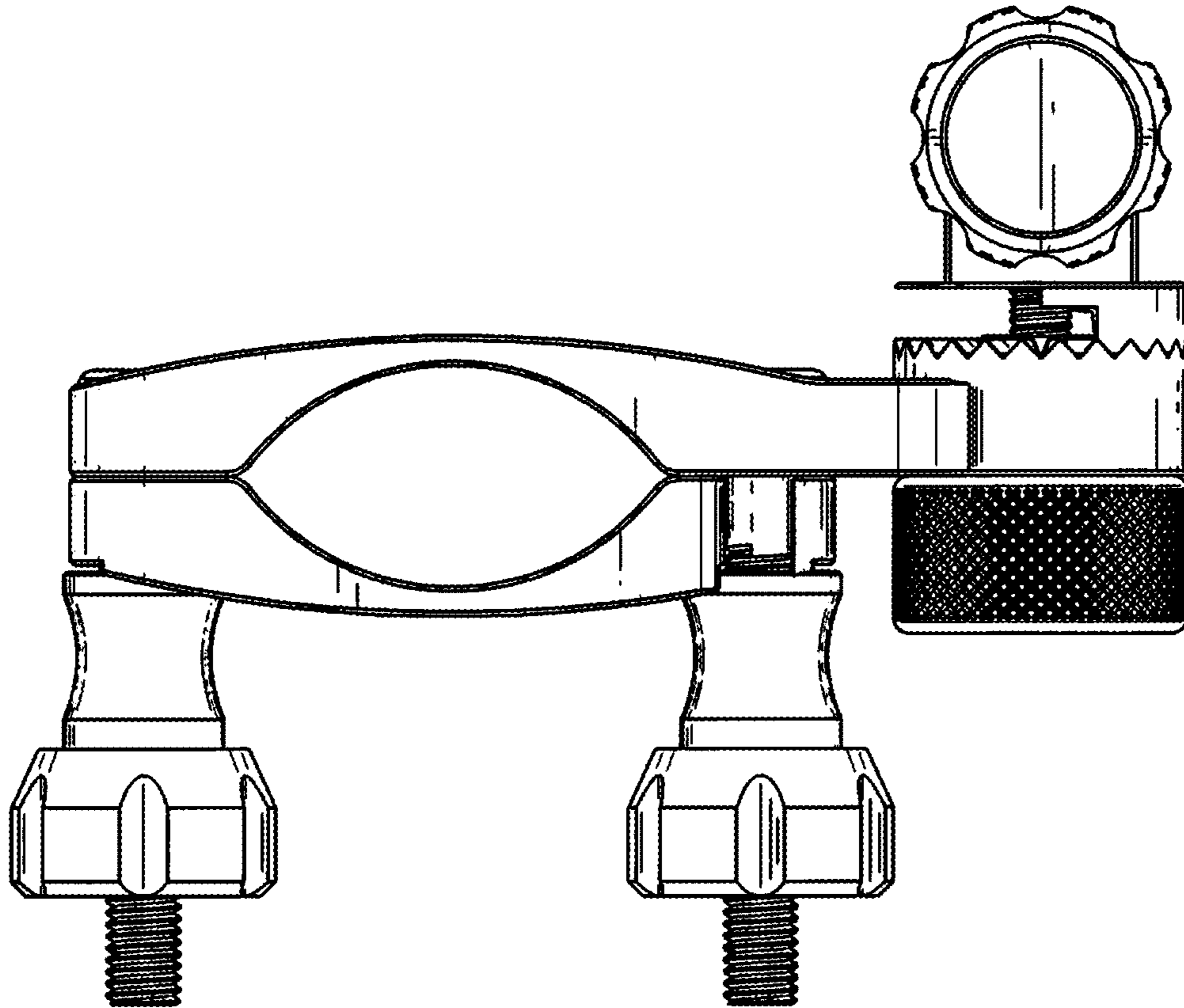


FIG. 2

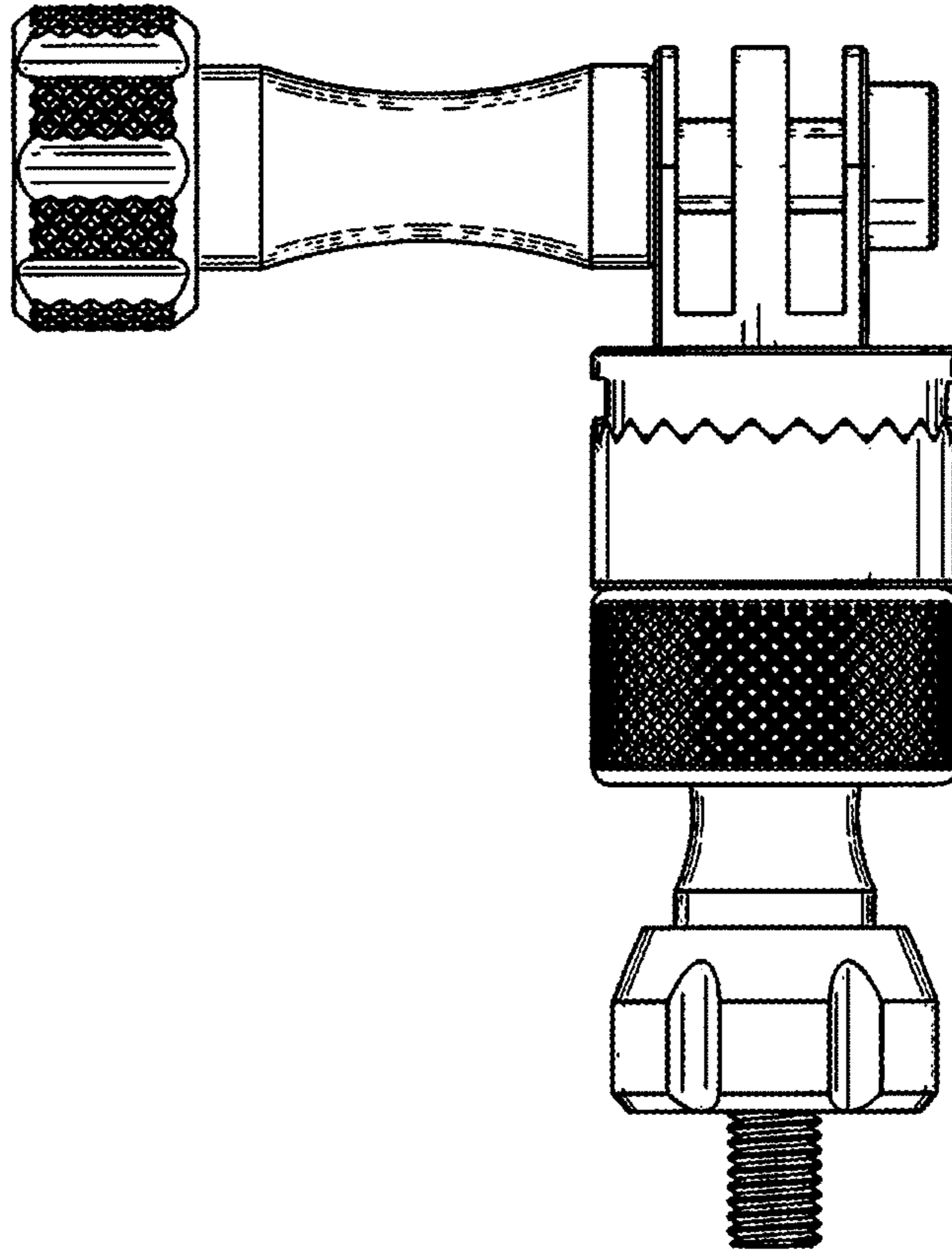


FIG. 3

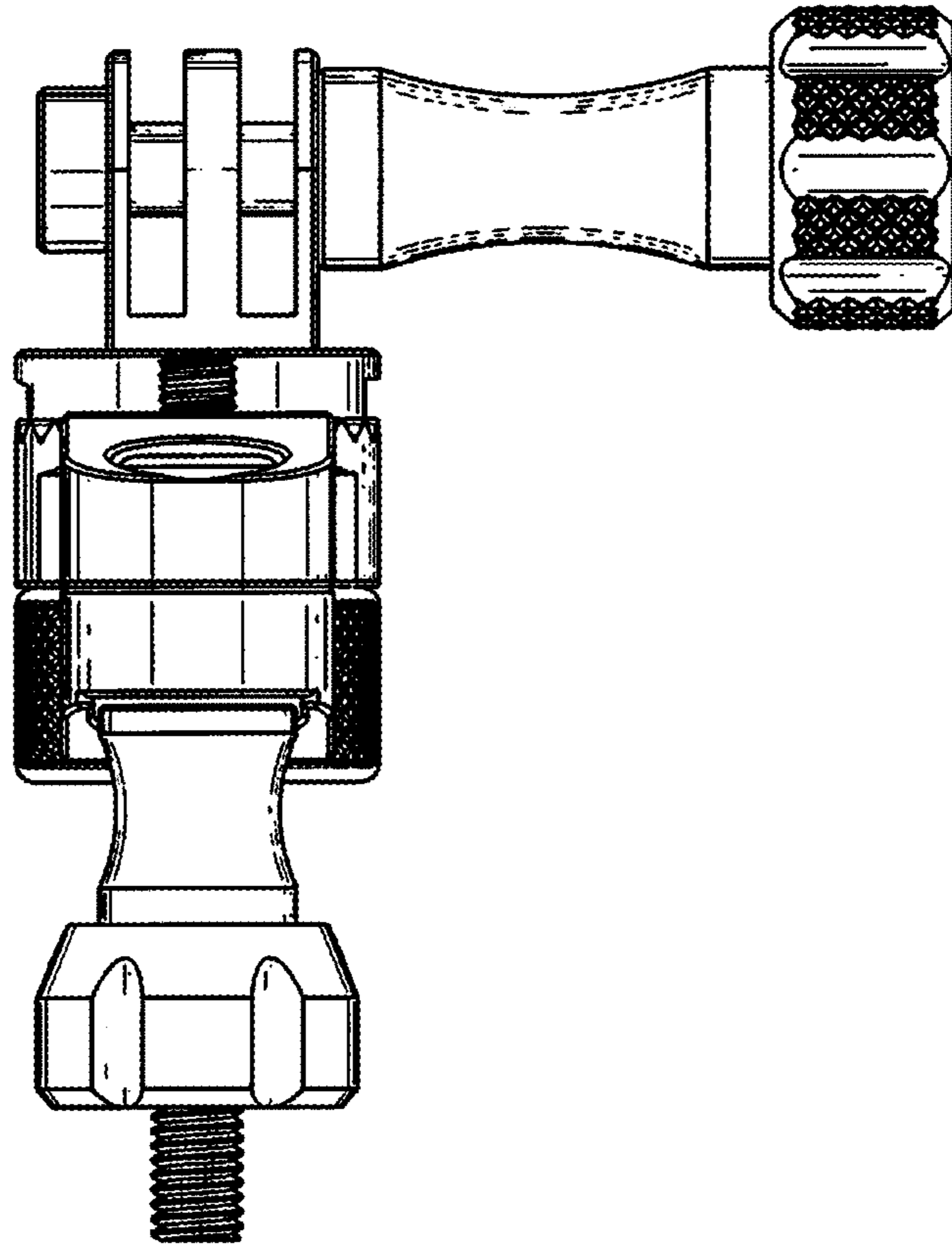


FIG. 4



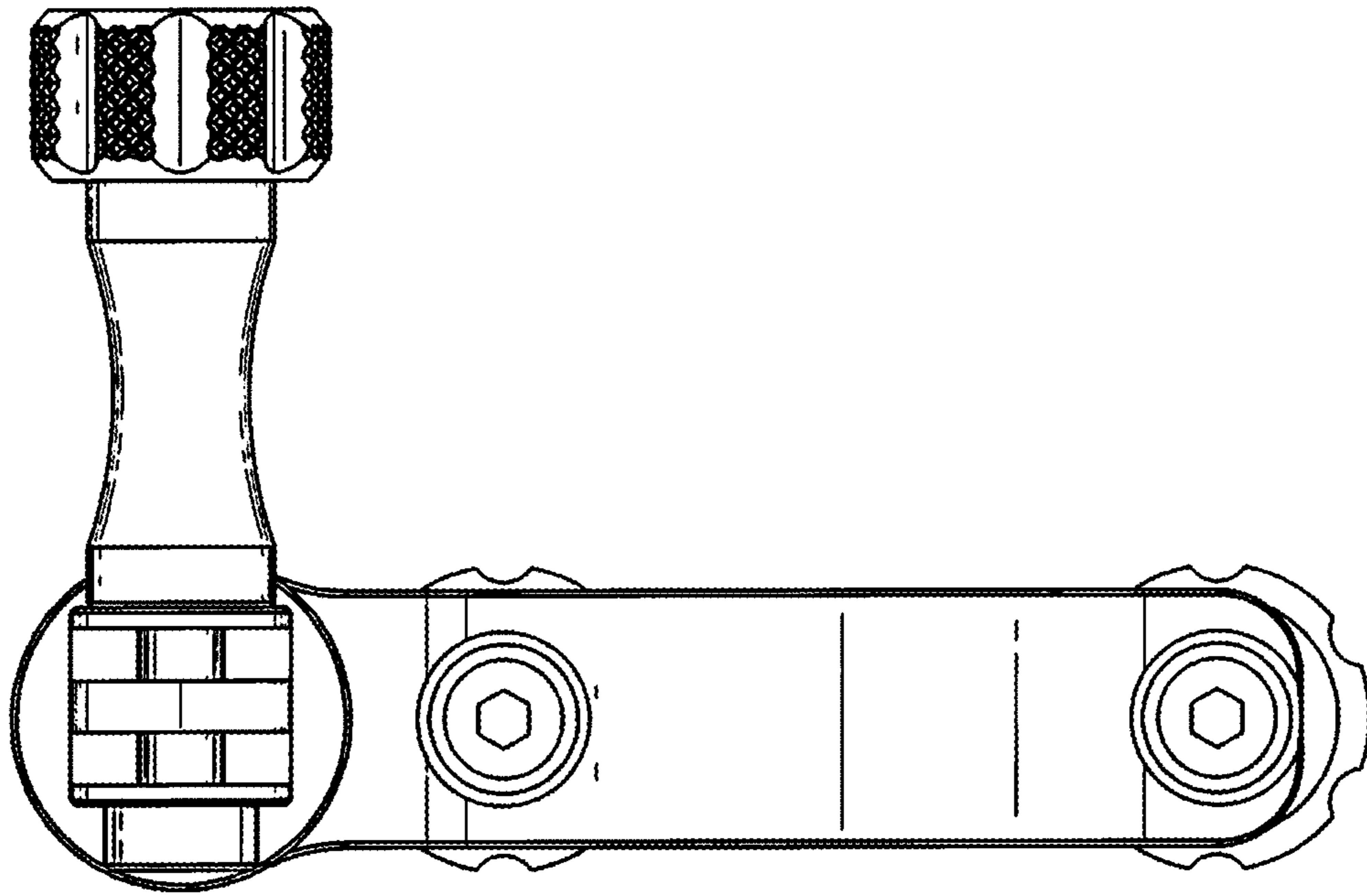


FIG. 5

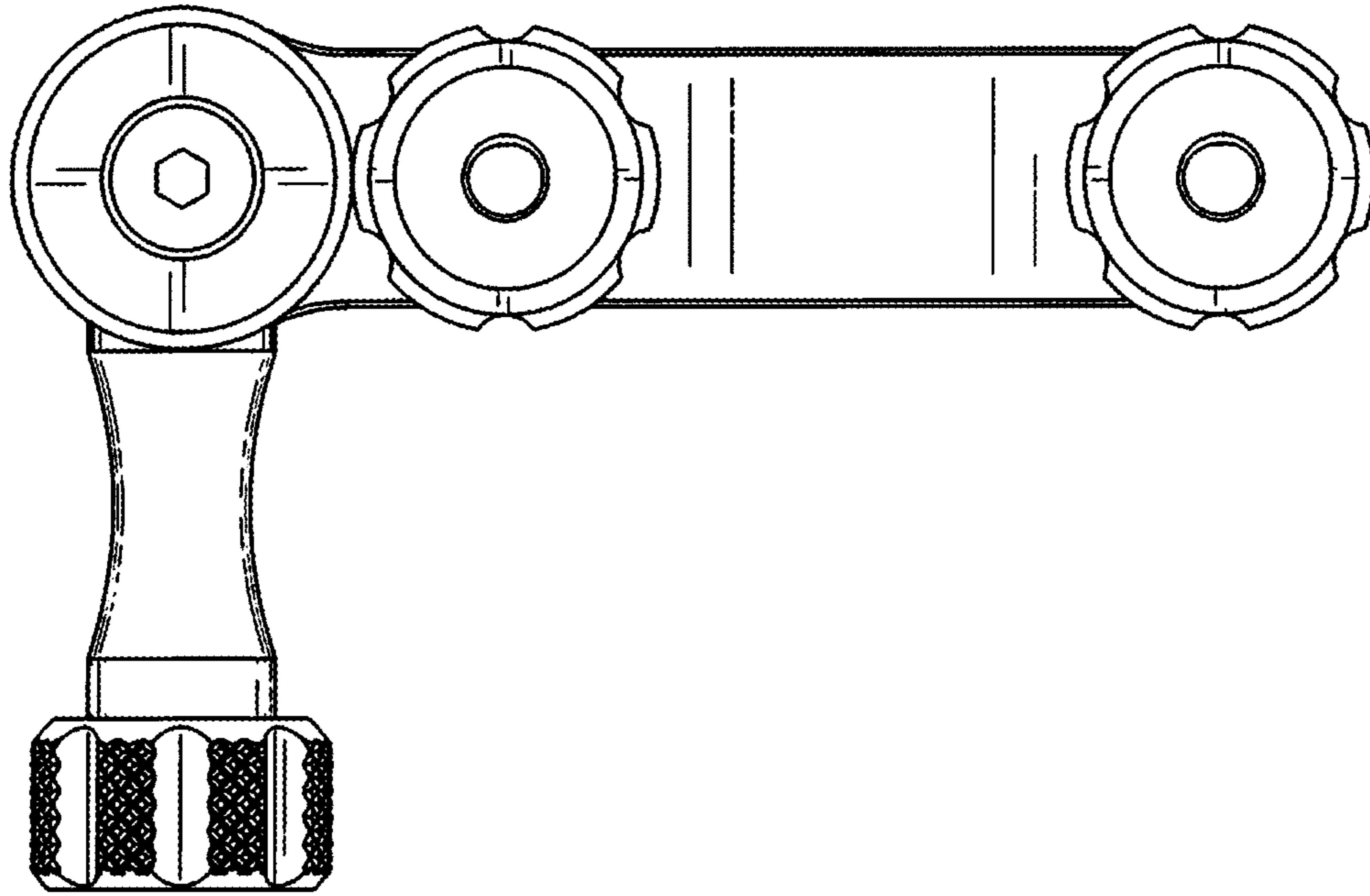


FIG. 6

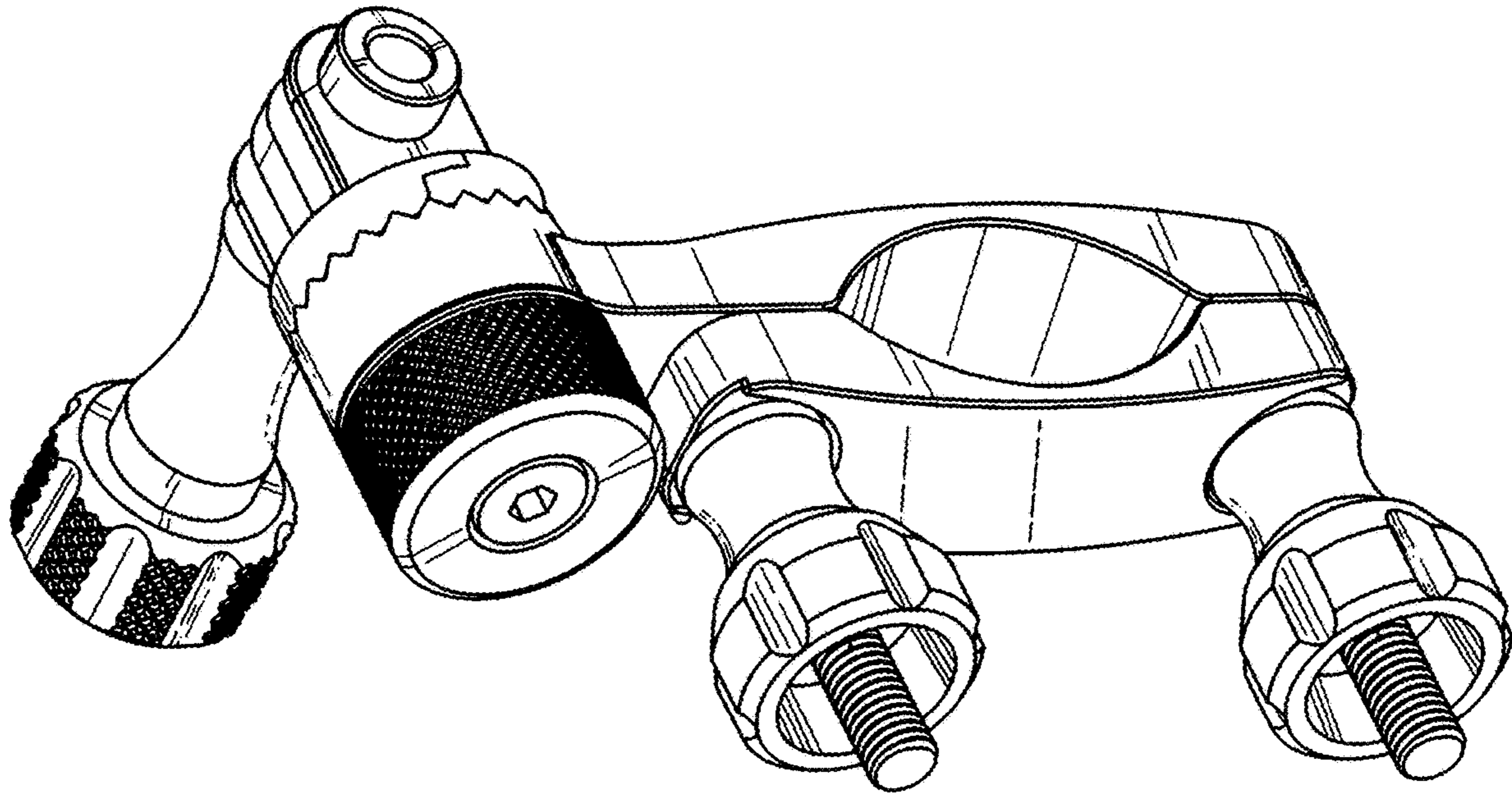


FIG. 7



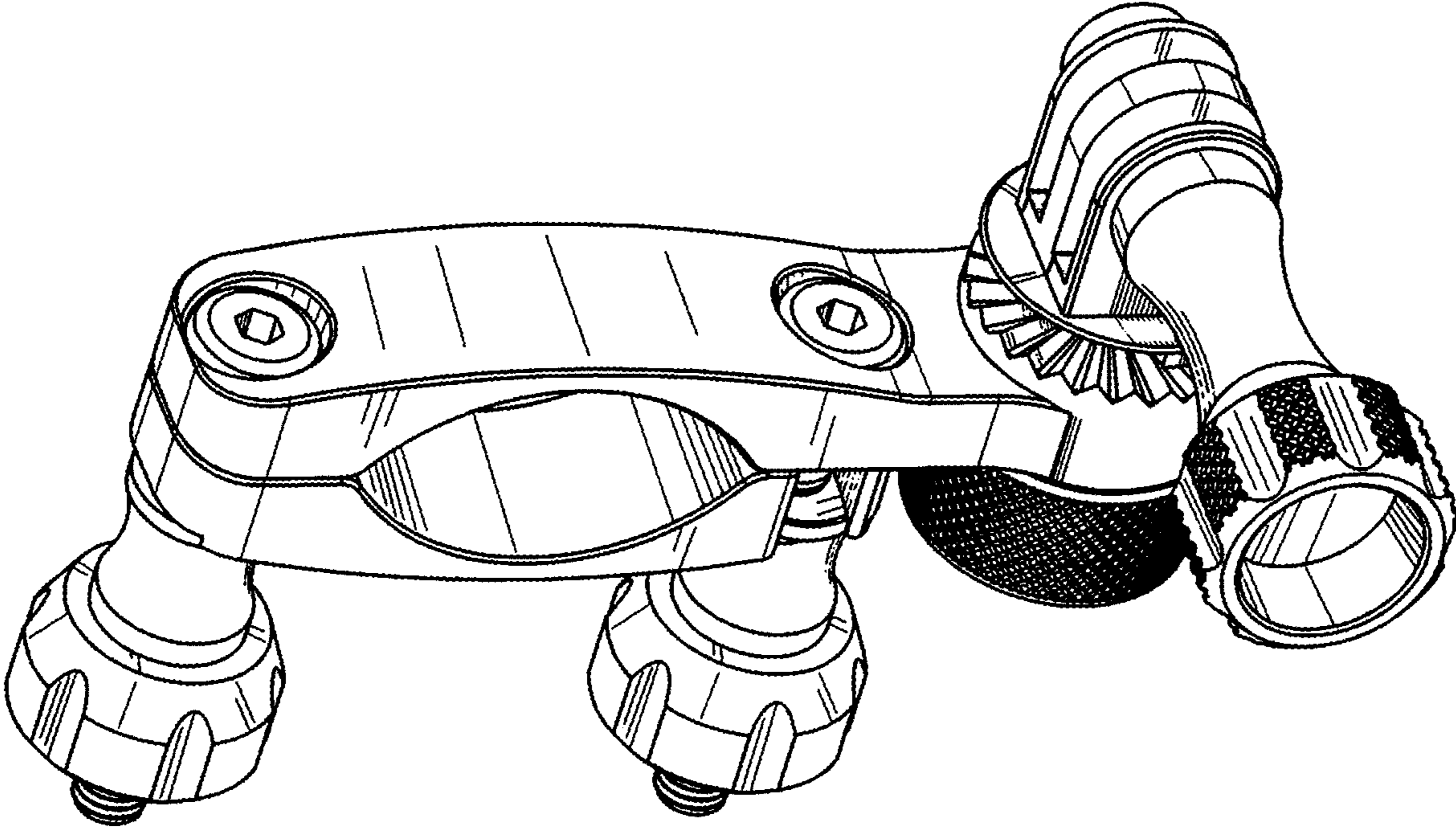


FIG. 8