



US00D892909S

(12) **United States Design Patent**
McBride et al.

(10) **Patent No.:** **US D892,909 S**

(45) **Date of Patent:** **** Aug. 11, 2020**

(54) **MOUNT**

(71) Applicant: **SENSORMATIC ELECTRONICS, LLC**, Boca Raton, FL (US)

(72) Inventors: **Frederick M. McBride**, Belfast (GB);
Derek J. Boyes, Aghalee (GB)

(73) Assignee: **SENSORMATIC ELECTRONICS, LLC**, Boca Raton, FL (US)

(**) Term: **15 Years**

(21) Appl. No.: **29/681,224**

(22) Filed: **Feb. 22, 2019**

(51) **LOC (12) Cl.** **16-05**

(52) **U.S. Cl.**
USPC **D16/242**

(58) **Field of Classification Search**
USPC D16/219, 237-250; D8/354, 355, 363,
D8/373, 382-383, 394-396; D14/224,
D14/229, 238, 251, 253, 356, 447, 451,
D14/457
CPC A45F 5/00; A45F 5/10; A45F
2200/0508-0533; F16M 11/06-10; F16M
11/14; G02B 7/00-002; G03B 17/56;
G03B 17/561-566; H04N 5/225-2254
See application file for complete search history.

(56) **References Cited**

U.S. PATENT DOCUMENTS

D534,061 S * 12/2006 Sakai D8/373
D682,908 S * 5/2013 Nakajima D16/200

D694,228 S * 11/2013 Richter D14/253
D809,052 S * 1/2018 Martin D16/242
D825,643 S * 8/2018 Wengreen D16/242
D867,435 S * 11/2019 Wengreen D16/242
D868,137 S * 11/2019 Boerup D16/237
D871,490 S * 12/2019 Wengreen D16/242

* cited by examiner

Primary Examiner — Vy N Koenig

(74) *Attorney, Agent, or Firm* — Arent Fox, LLP

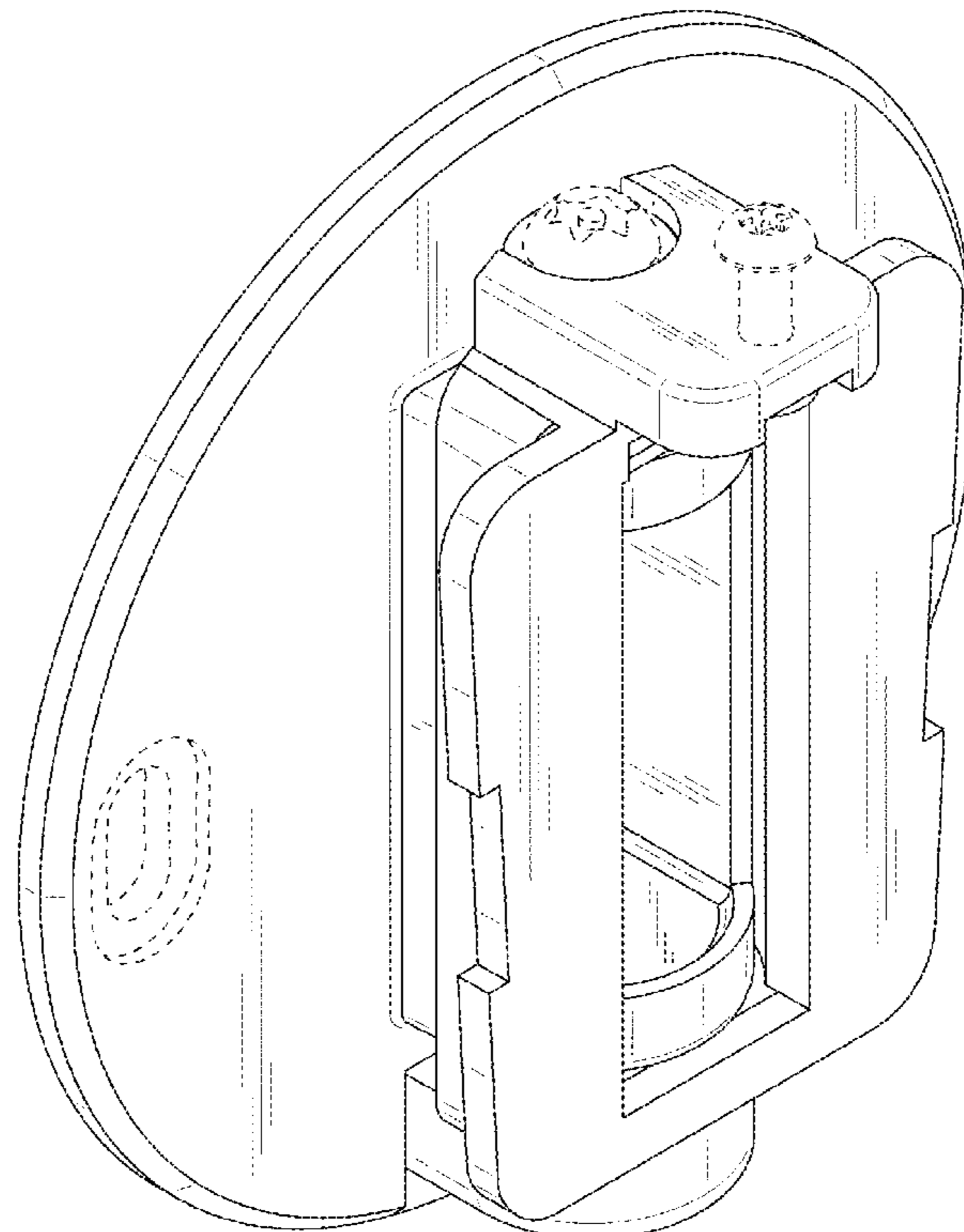
(57) **CLAIM**

The ornamental design for a mount, as shown and described.

DESCRIPTION

FIG. 1 is a front left perspective view of a mount showing our new design;
FIG. 2 is a top view of the design shown in FIG. 1;
FIG. 3 is a bottom view of the design shown in FIG. 1;
FIG. 4 is a right side view of the design shown in FIG. 1;
FIG. 5 is a left side view of the design shown in FIG. 1;
FIG. 6 is a front view of the design shown in FIG. 1; and,
FIG. 7 is a rear view of the design shown in FIG. 1.
The broken lines shown in the figures are included for the purpose of illustrating portions of the mount that form no part of the claimed design.

1 Claim, 7 Drawing Sheets



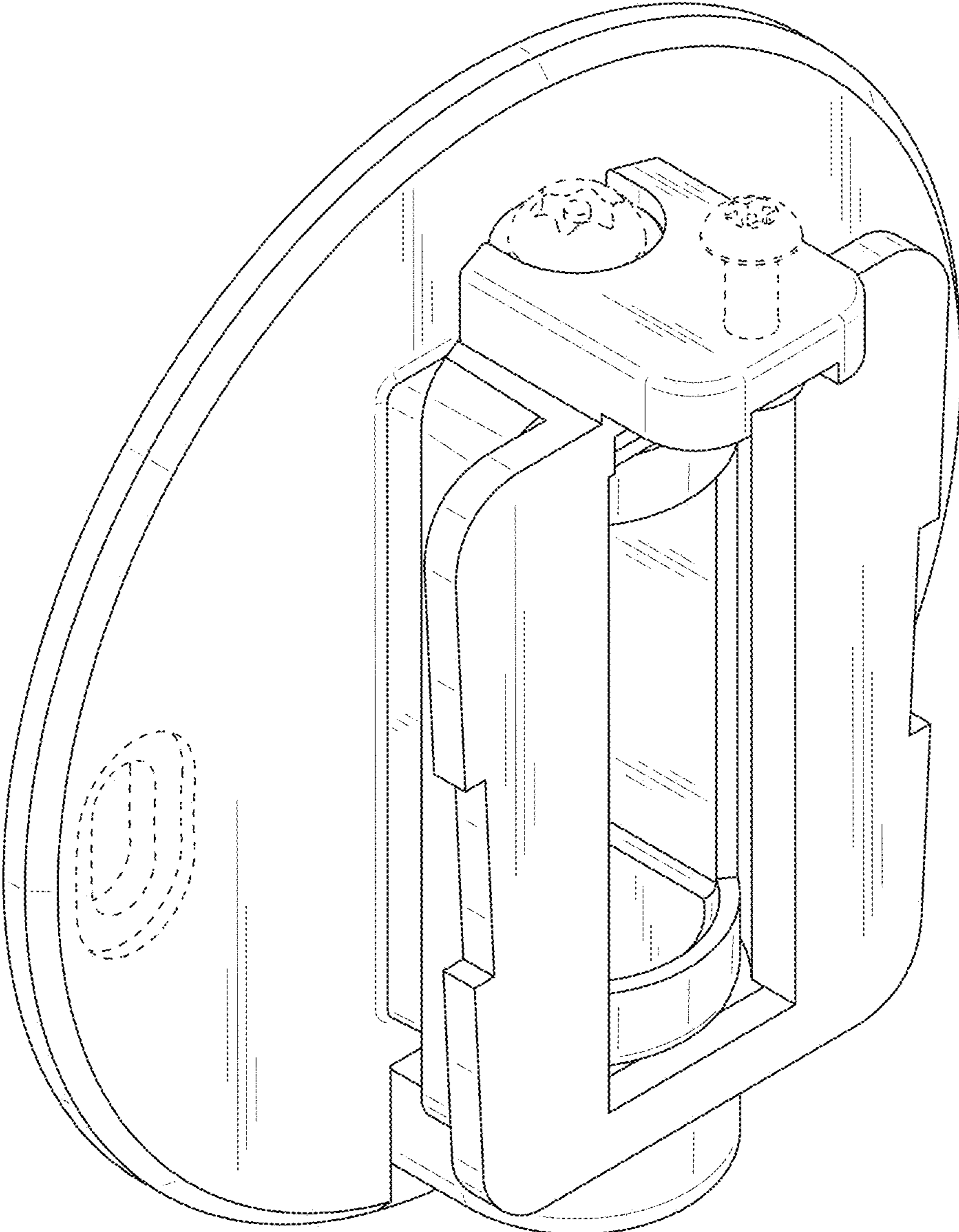


FIG. 1

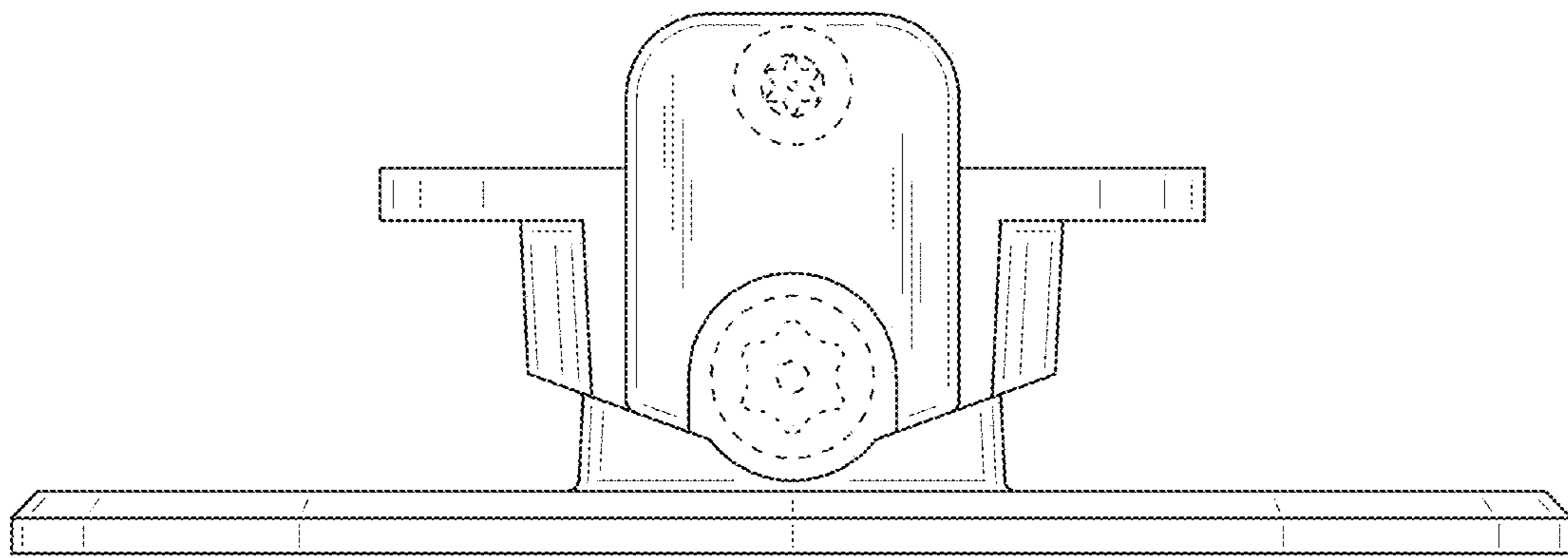


FIG. 2

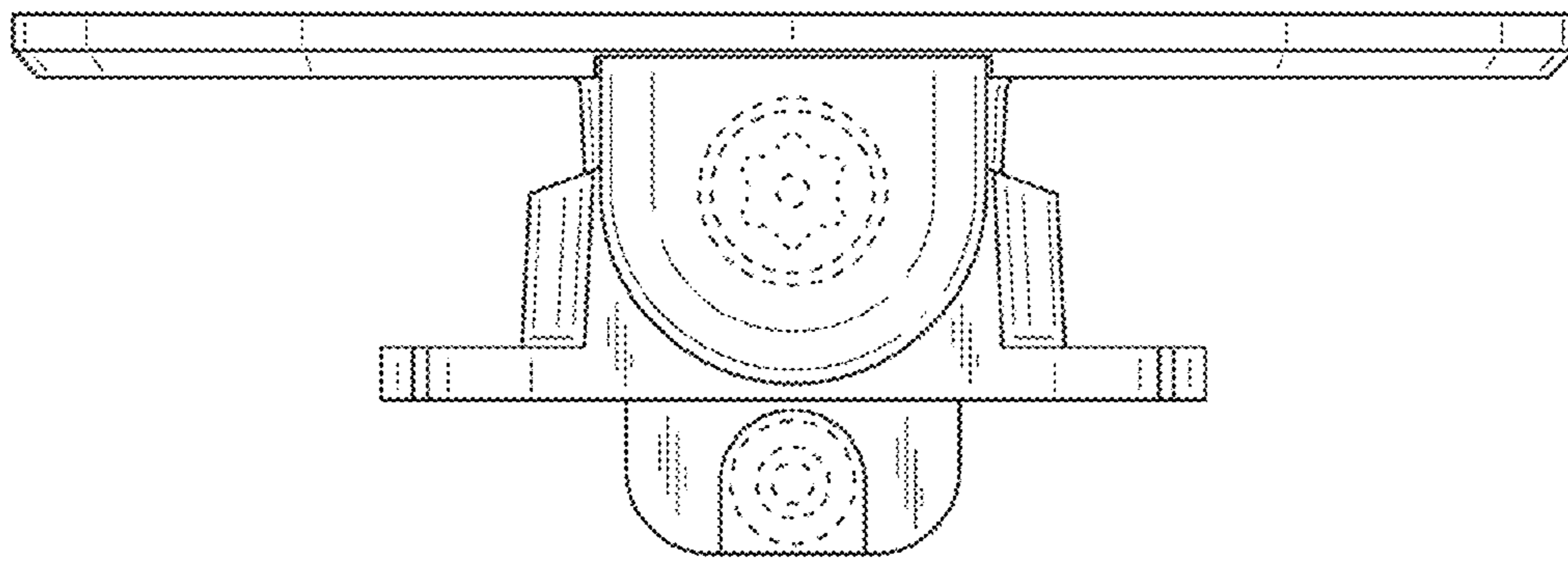


FIG. 3

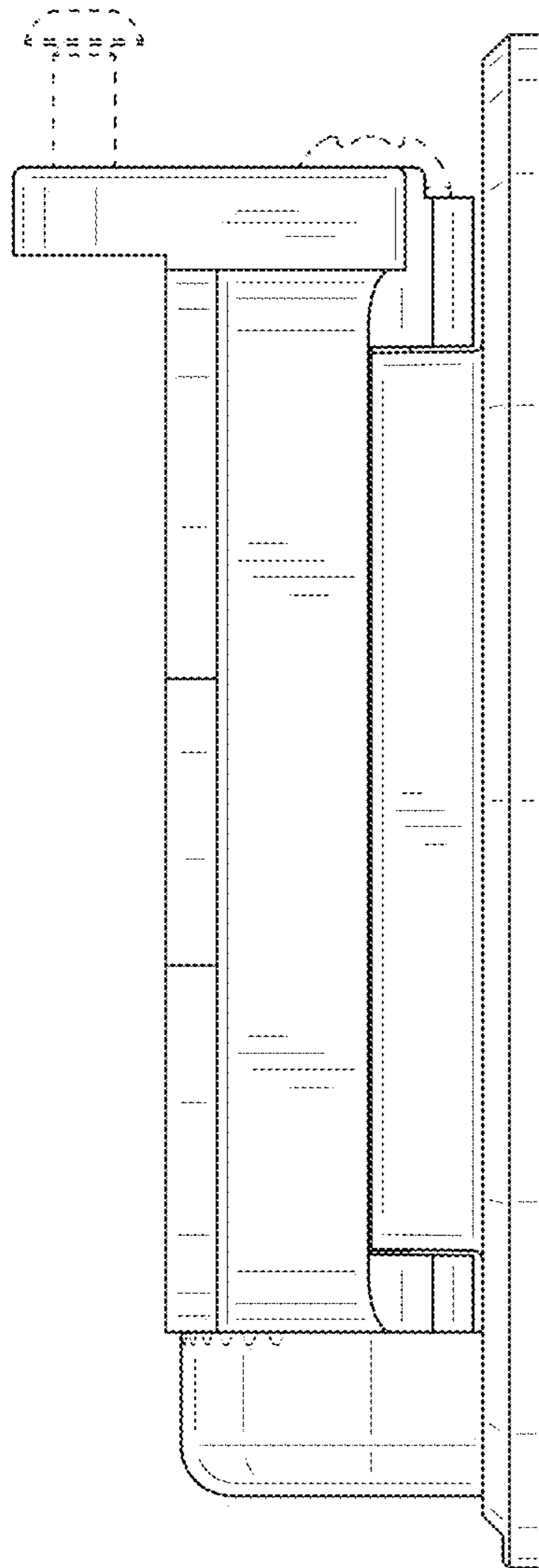


FIG. 4

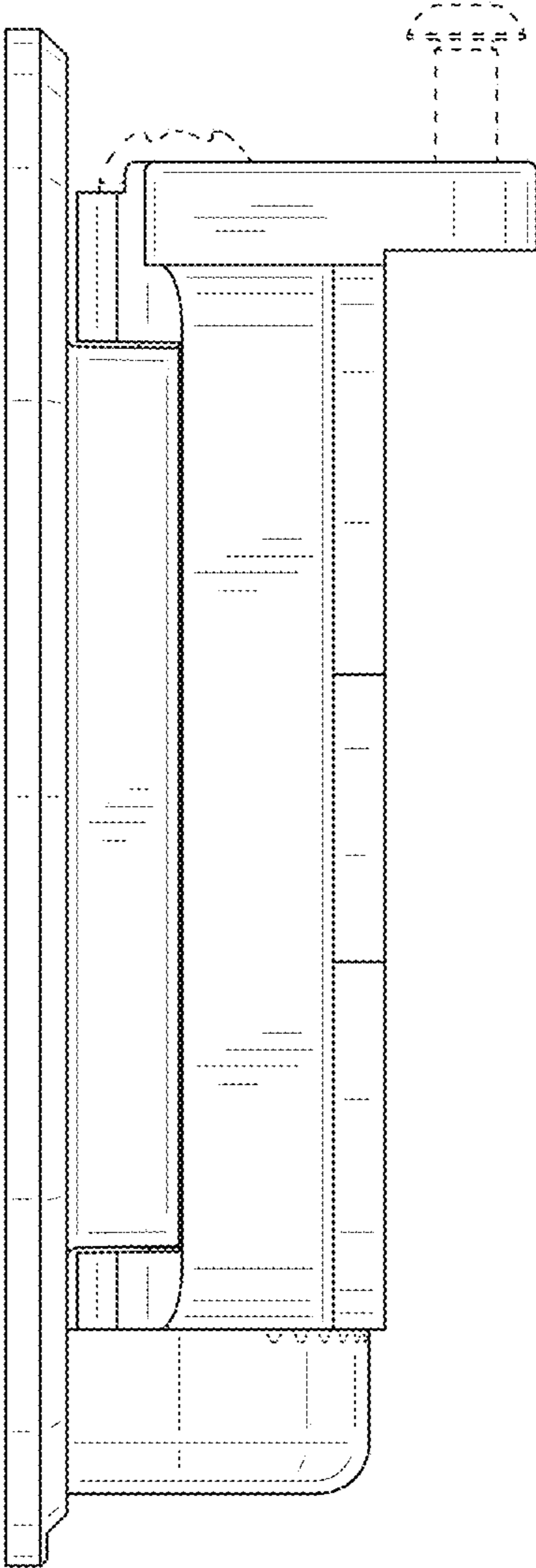


FIG. 5

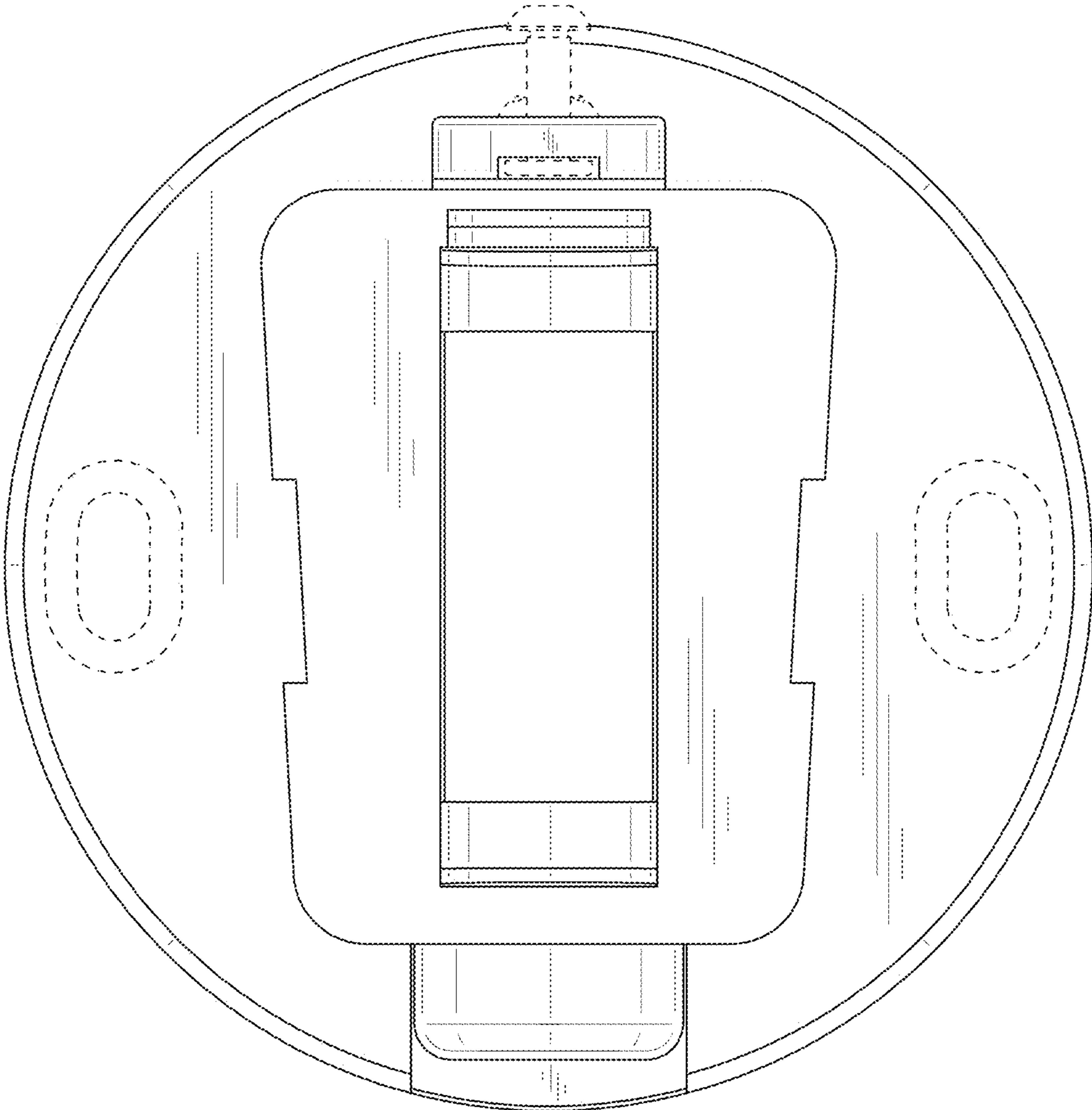


FIG. 6

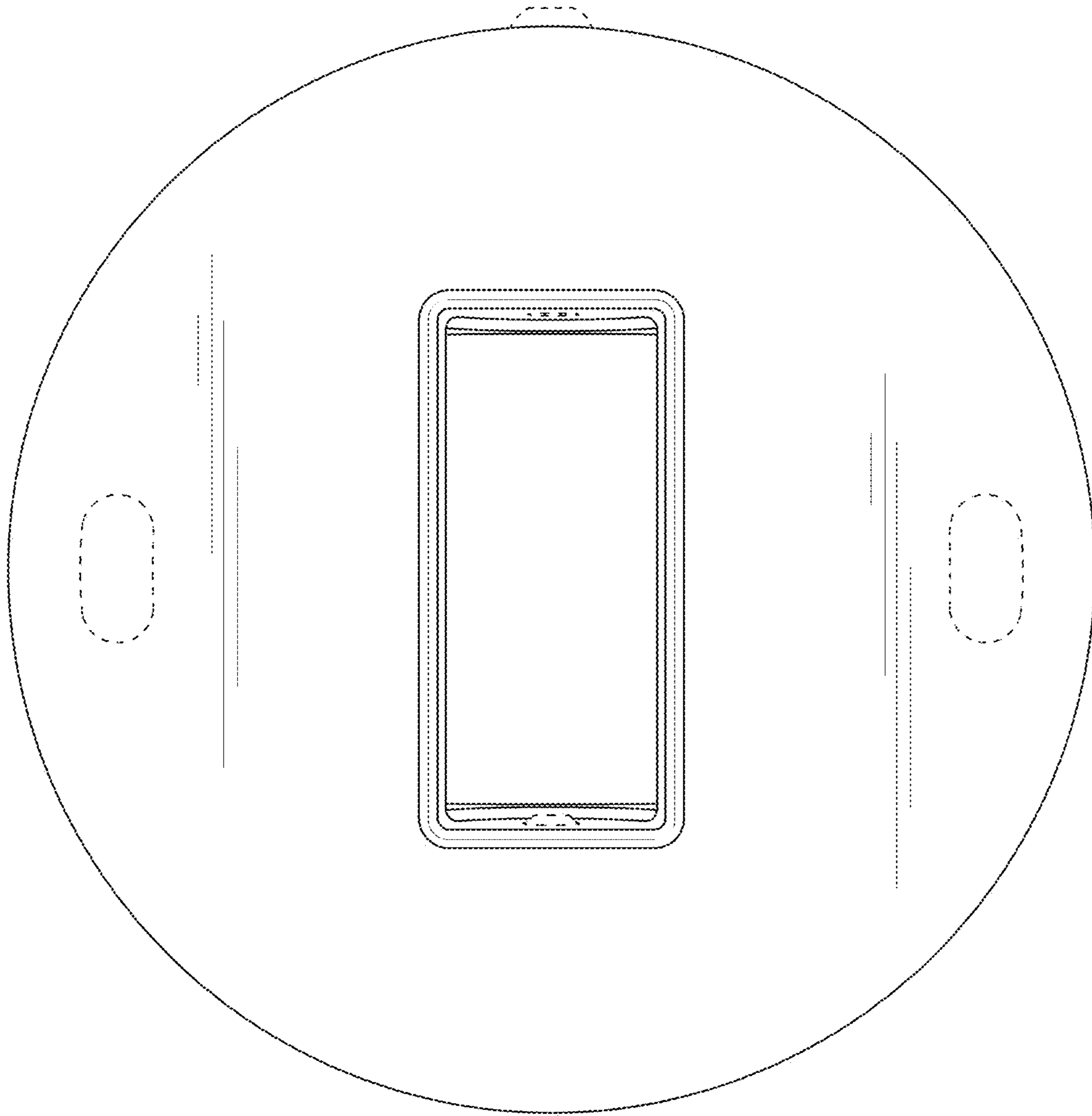


FIG. 7