



US00D892907S

(12) **United States Design Patent** (10) **Patent No.:** **US D892,907 S**
Chan et al. (45) **Date of Patent:** **** Aug. 11, 2020**

(54) **CAMERA LENS HOLDER**
(71) Applicants: **Ronald Chi-yin Chan**, Coquitlam (CA); **Yau Sing Hubert Sin**, Coquitlam (CA); **Brian Hiyin Lee**, Delta (CA)
(72) Inventors: **Ronald Chi-yin Chan**, Coquitlam (CA); **Yau Sing Hubert Sin**, Coquitlam (CA); **Brian Hiyin Lee**, Delta (CA)
(**) Term: **15 Years**

D776,295 S * 1/2017 Wainwright D24/224
D776,296 S * 1/2017 Wainwright D24/224
D780,821 S * 3/2017 Koenig, II D16/136
D788,205 S * 5/2017 Jankura D16/237
D807,939 S * 1/2018 Lundin D16/200
D825,643 S * 8/2018 Wengreen D16/242
(Continued)

FOREIGN PATENT DOCUMENTS

CN 3013063 * 4/1992
CN 304635433 * 5/2018

(21) Appl. No.: **29/659,364**
(22) Filed: **Aug. 8, 2018**

OTHER PUBLICATIONS

LensPacks Rear Lens Caps That Attach to the Inside of Your Camera Bag <https://petapixel.com/2015/04/28/lenspacks-rear-lens-caps-for-your-camera-bag-that-attach-with-velcro/> Posted Apr. 28, 2015 (Year: 2015).*
(Continued)

Related U.S. Application Data

(62) Division of application No. 15/130,750, filed on Apr. 15, 2016, now Pat. No. 10,154,716.
(51) **LOC (12) Cl.** **16-05**
(52) **U.S. Cl.**
USPC **D16/237**
(58) **Field of Classification Search**
USPC D3/263, 267, 318, 319; D16/211, 213, D16/218, 219, 237, 242, 250
CPC A45C 13/02; A45C 11/38; G03B 11/041; G03B 17/14; G03B 17/56; G03B 17/566; G02B 7/02
See application file for complete search history.

Primary Examiner — Leanne Was-Englehart
(74) *Attorney, Agent, or Firm* — Dean Craine; Marisa Whitaker

(57) **CLAIM**

The ornamental design for a camera lens holder, as shown and described.

DESCRIPTION

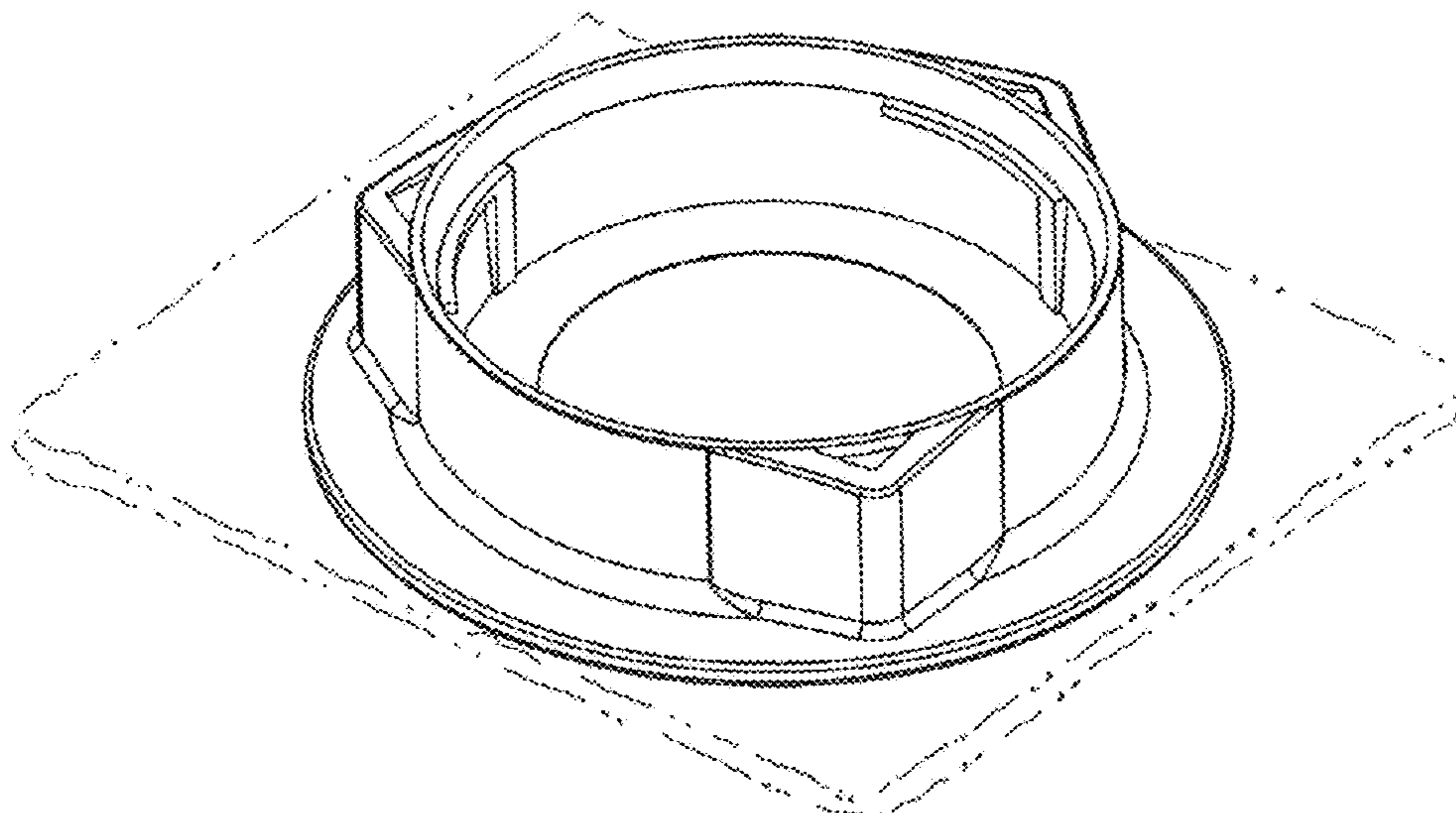
(56) **References Cited**

U.S. PATENT DOCUMENTS

4,210,186 A 7/1980 Belenson
D275,766 S * 10/1984 Suzuki D16/101
4,751,950 A * 6/1988 Bock A45C 11/38
206/316.2
D640,304 S * 6/2011 Green D16/242
8,029,199 B1 * 10/2011 Kimball G03B 17/566
396/529
D695,017 S * 12/2013 Booth D3/318
D697,127 S * 1/2014 O'Donnell D16/242
D740,345 S * 10/2015 Fujita D16/219

FIG. 1 is a front perspective view of a camera lens holder showing our new design.
FIG. 2 is a top, rear perspective view of the camera lens holder.
FIG. 3 is a front elevational view of the invention.
FIG. 4 is a bottom plan view of the invention; and,
FIG. 5 is a sectional, left side elevational view taken along line 5-5 in FIG. 2.
The broken lines show environmental subject matter that form no part of the claimed design.

1 Claim, 2 Drawing Sheets



(56)

References Cited

U.S. PATENT DOCUMENTS

D837,280 S * 1/2019 Lundin D16/237
D850,514 S * 6/2019 Hsu D16/219
D868,137 S * 11/2019 Boerup D16/237
2009/0057544 A1 * 3/2009 Brodie G03B 11/00
250/239
2011/0229121 A1 9/2011 Kimball
2012/0281977 A1 * 11/2012 Stevenson G03B 11/041
396/544
2017/0295901 A1 * 10/2017 Chan A45C 13/02

OTHER PUBLICATIONS

LensPacks Innovative Lens Caps for Quick Camera Lens Changes
<http://www.lenspacks.com/> uploaded Feb. 2016 (Year: 2016).*
Review LensPacks lens holders for camera bags secure lens holder
<http://www.northlight-images.co.uk/review-lenspacks-lens-holders/> Posted May 2, 2017 (Year: 2017).*

* cited by examiner

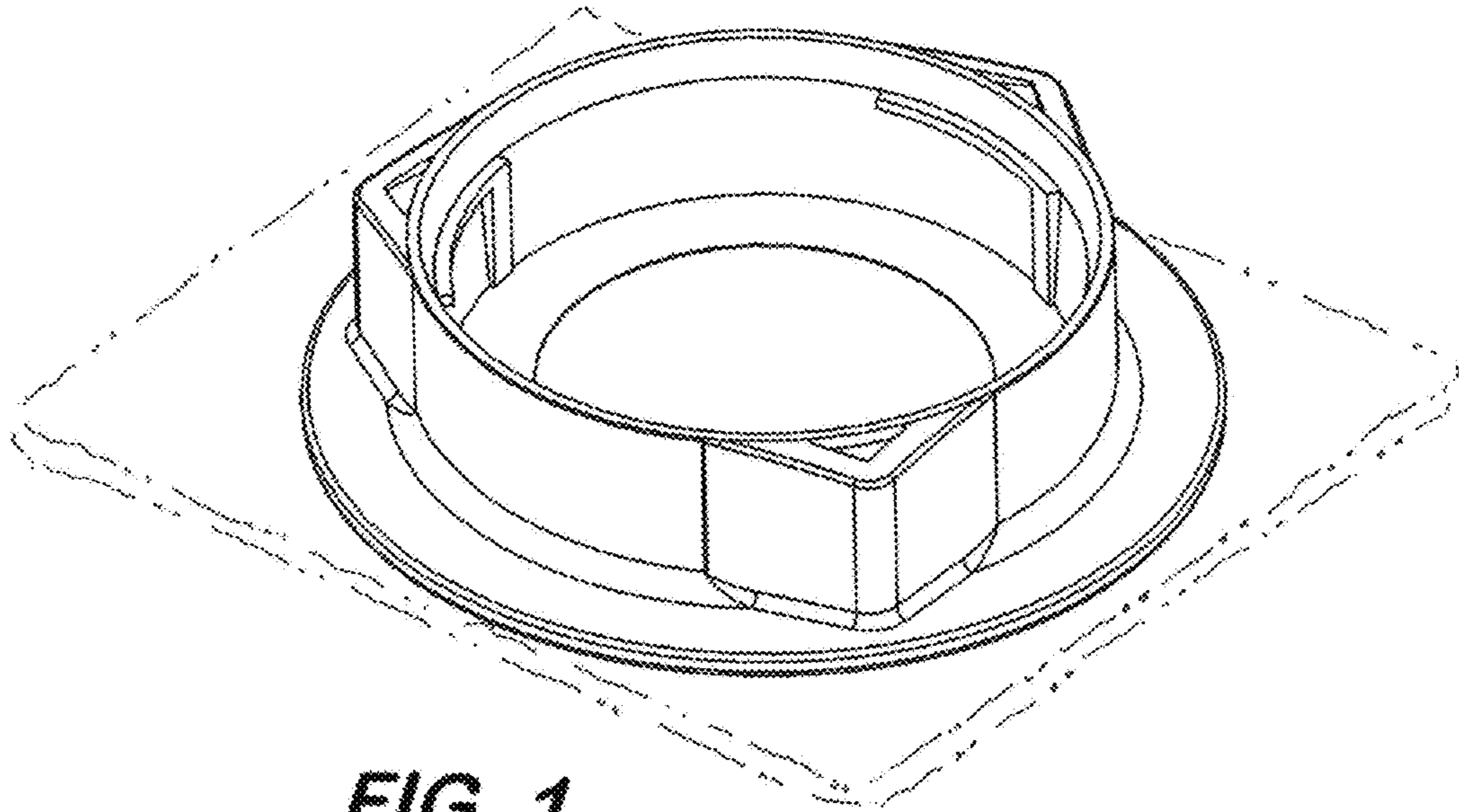


FIG. 1

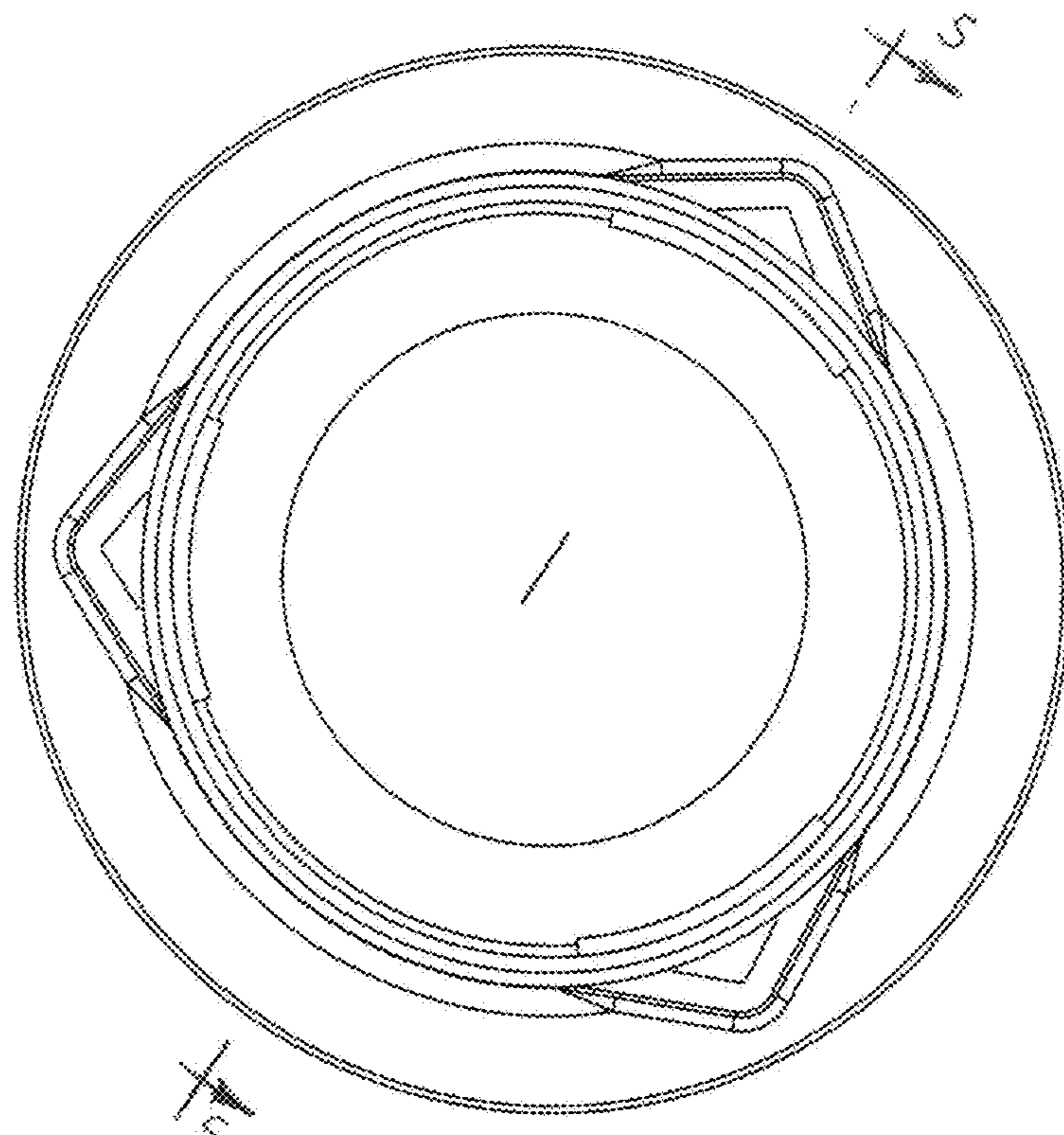


FIG. 2

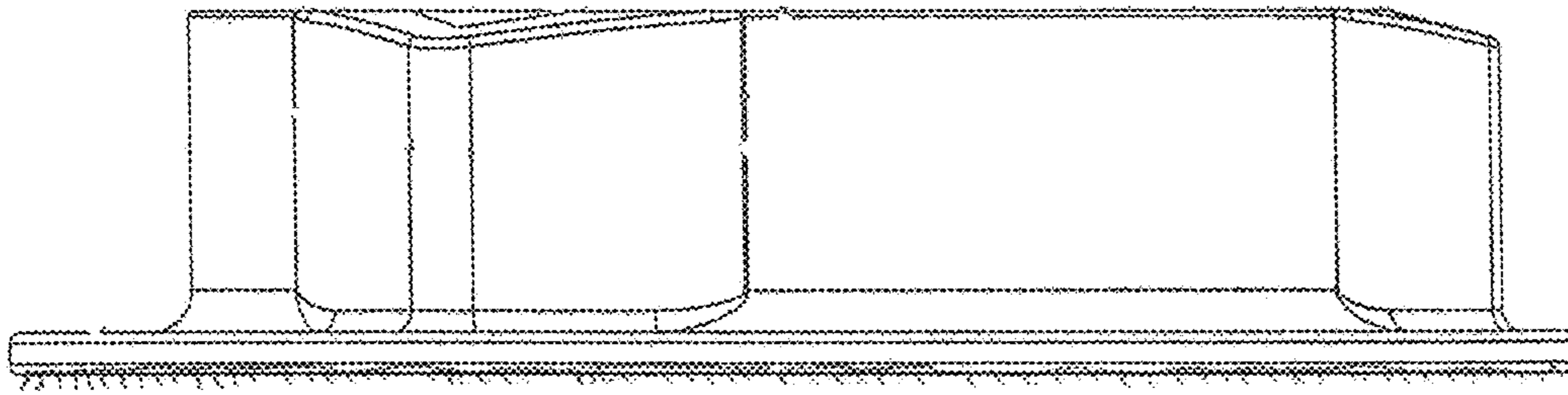


FIG. 3

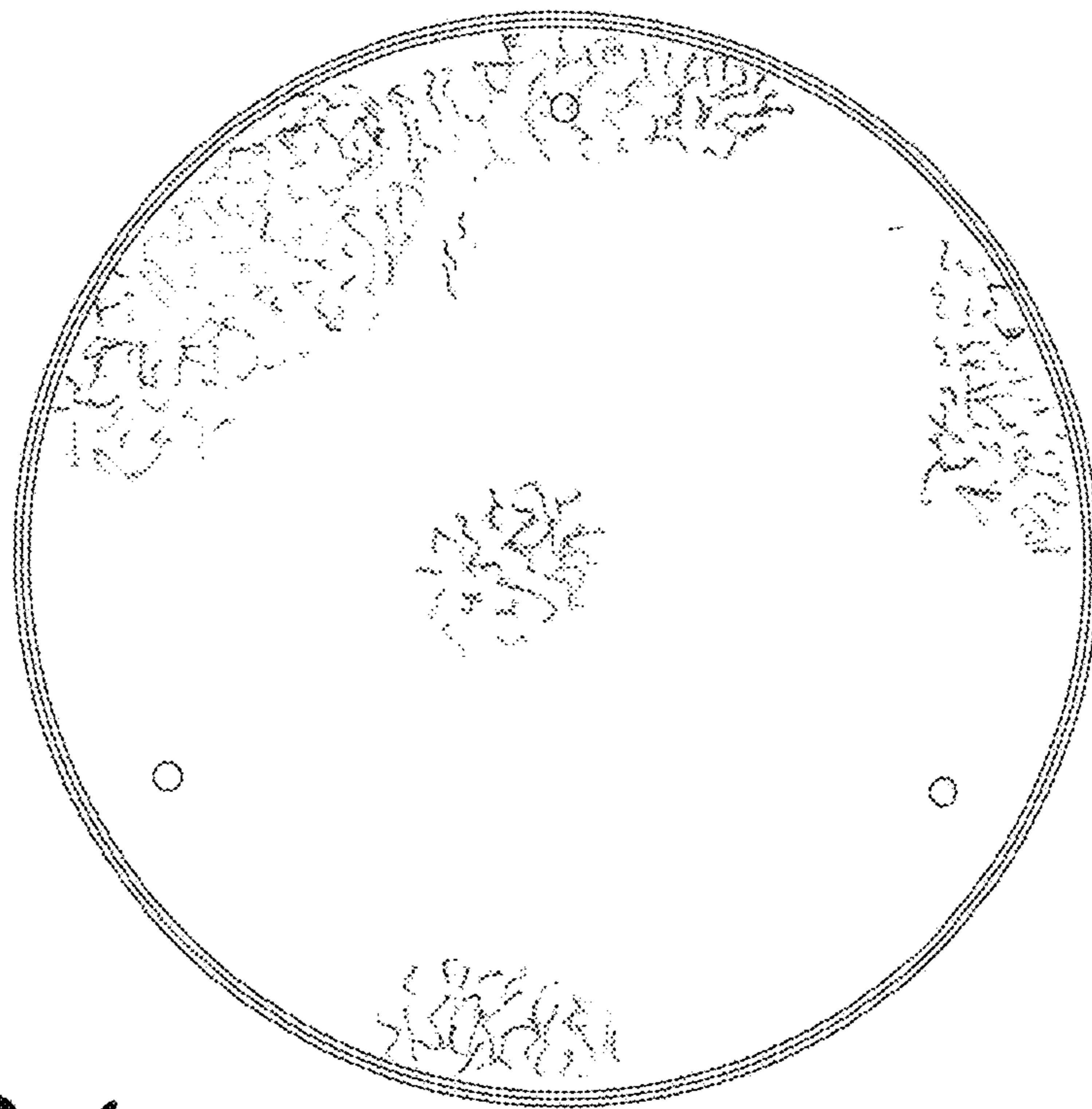


FIG. 4

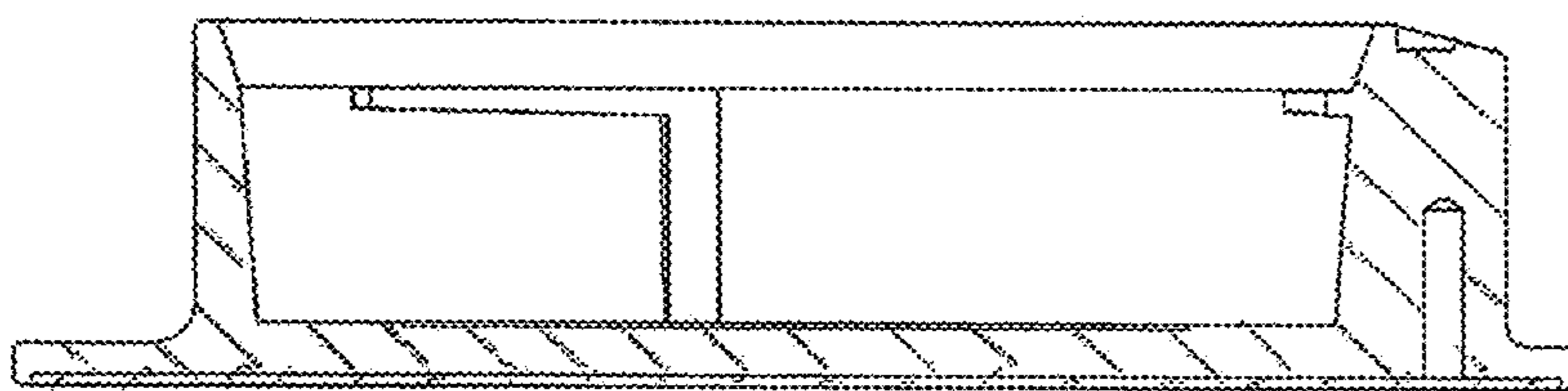


FIG. 5