



US00D892906S

(12) **United States Design Patent**
Sakai

(10) **Patent No.:** **US D892,906 S**

(45) **Date of Patent:** **** Aug. 11, 2020**

(54) **PROJECTOR**

(71) Applicant: **FUJIFILM Corporation**, Tokyo (JP)

(72) Inventor: **Hiroyuki Sakai**, Saitama (JP)

(73) Assignee: **FUJIFILM Corporation**, Tokyo (JP)

(**) Term: **15 Years**

(21) Appl. No.: **29/663,407**

(22) Filed: **Sep. 14, 2018**

D499,753 S *	12/2004	Shigemura	D16/230
D561,223 S *	2/2008	Horikiri	D16/202
D631,904 S *	2/2011	Kim	D16/225
D677,306 S *	3/2013	Inoue	D16/235
D695,812 S *	12/2013	Kim	D16/225

* cited by examiner

Primary Examiner — Wan Laymon

(74) *Attorney, Agent, or Firm* — Birch, Stewart, Kolasch & Birch, LLP

(30) **Foreign Application Priority Data**

Mar. 15, 2018 (JP) 2018-005447

(51) **LOC (12) Cl.** **16-02**

(52) **U.S. Cl.**
USPC **D16/235**

(58) **Field of Classification Search**
USPC D16/221, 225, 229–232, 234–235, 208,
D16/219; D21/514; 353/88, 92,
353/107–108, 114–115; D6/704, 707.19;
D8/353; D3/305, 307; D20/11, 22, 27,
D20/42; D14/496, 125, 135, 188
CPC G03B 21/321; G03B 23/06; G03B 23/048;
G03B 23/14; G03B 23/105; A45C 13/42;
A45C 13/30

See application file for complete search history.

(56) **References Cited**

U.S. PATENT DOCUMENTS

D419,581 S *	1/2000	Ishibashi	D16/225
D429,270 S *	8/2000	Ishibashi	D16/225

(57) **CLAIM**

The ornamental design for a projector, as shown and described.

DESCRIPTION

FIG. 1 is a left perspective view of a projector showing my new design;
FIG. 2 is a front view thereof;
FIG. 3 is a rear view thereof;
FIG. 4 is a top plan view thereof;
FIG. 5 is a bottom plan view thereof;
FIG. 6 is a right side view thereof; and,
FIG. 7 is a left side view thereof.

The broken lines depict portions of the projector in which the design is embodied that form no part of the claimed design.

1 Claim, 6 Drawing Sheets

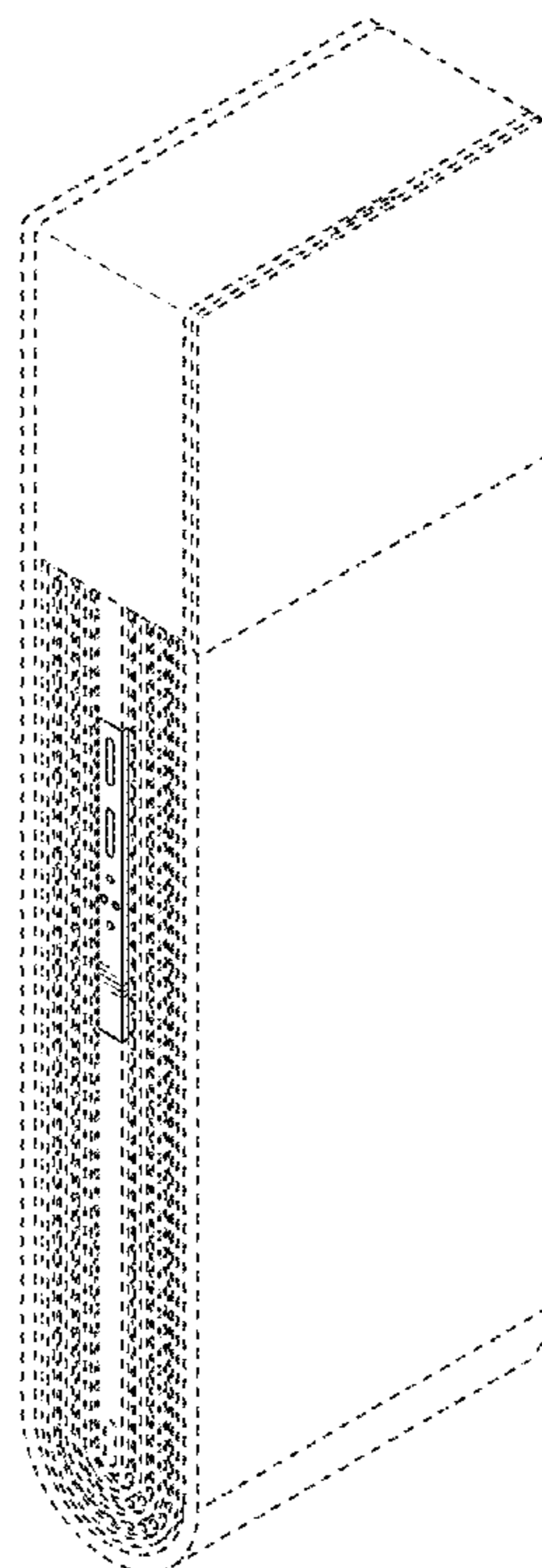


FIG. 1

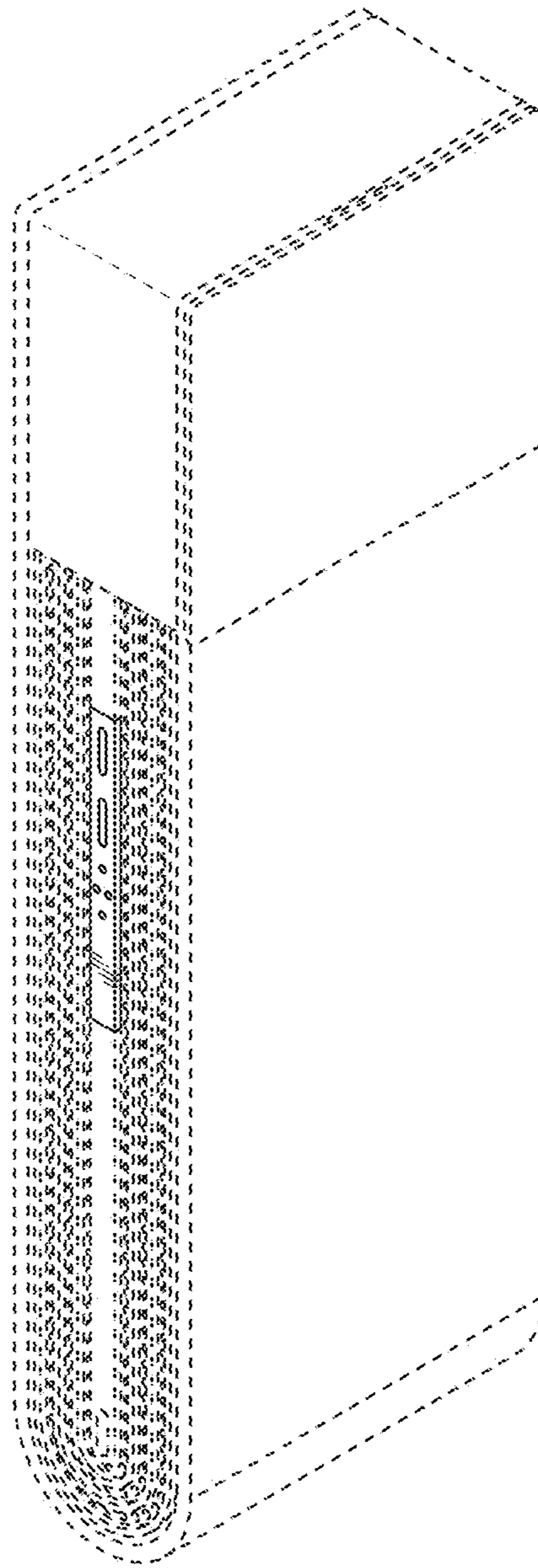


FIG. 2

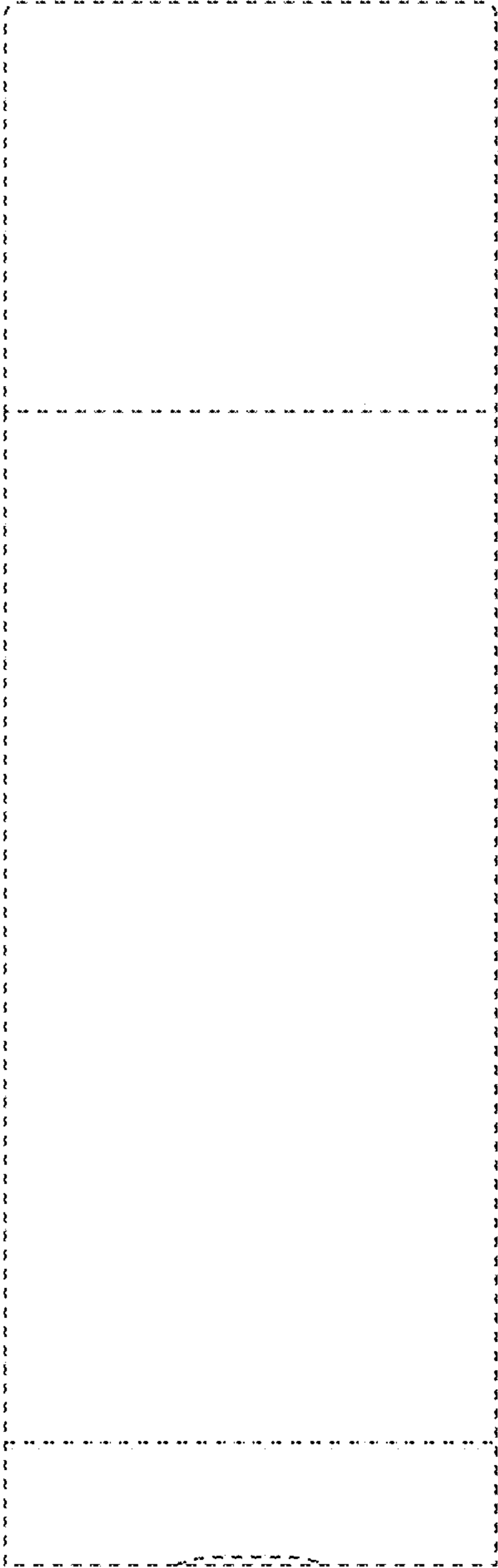


FIG. 3

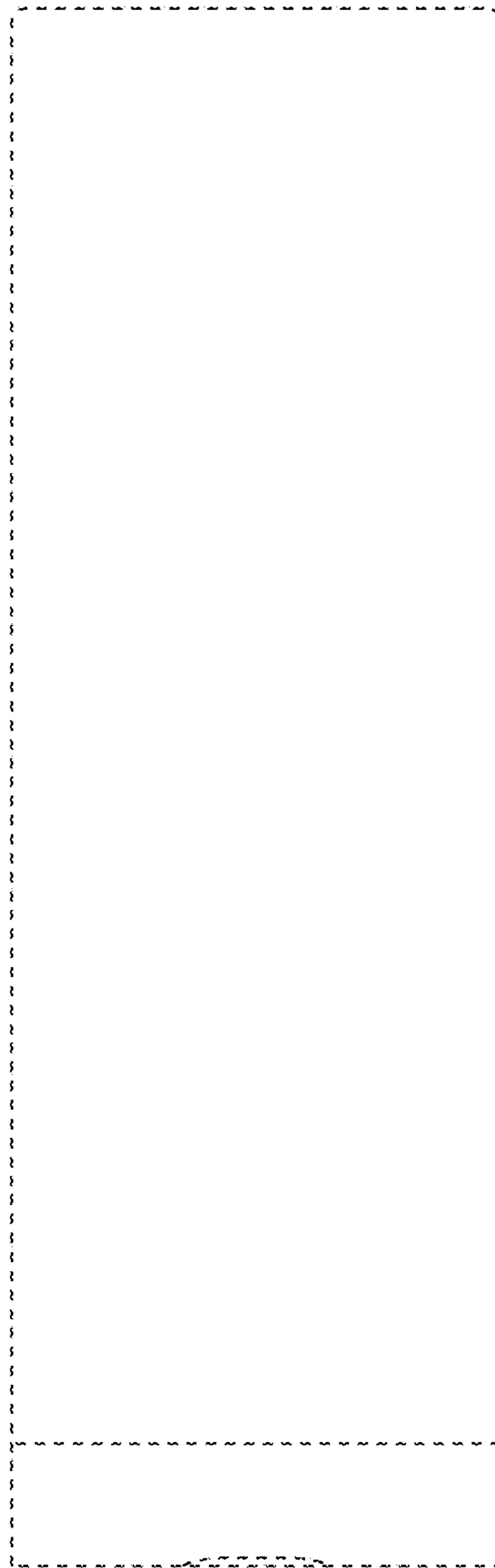


FIG. 4

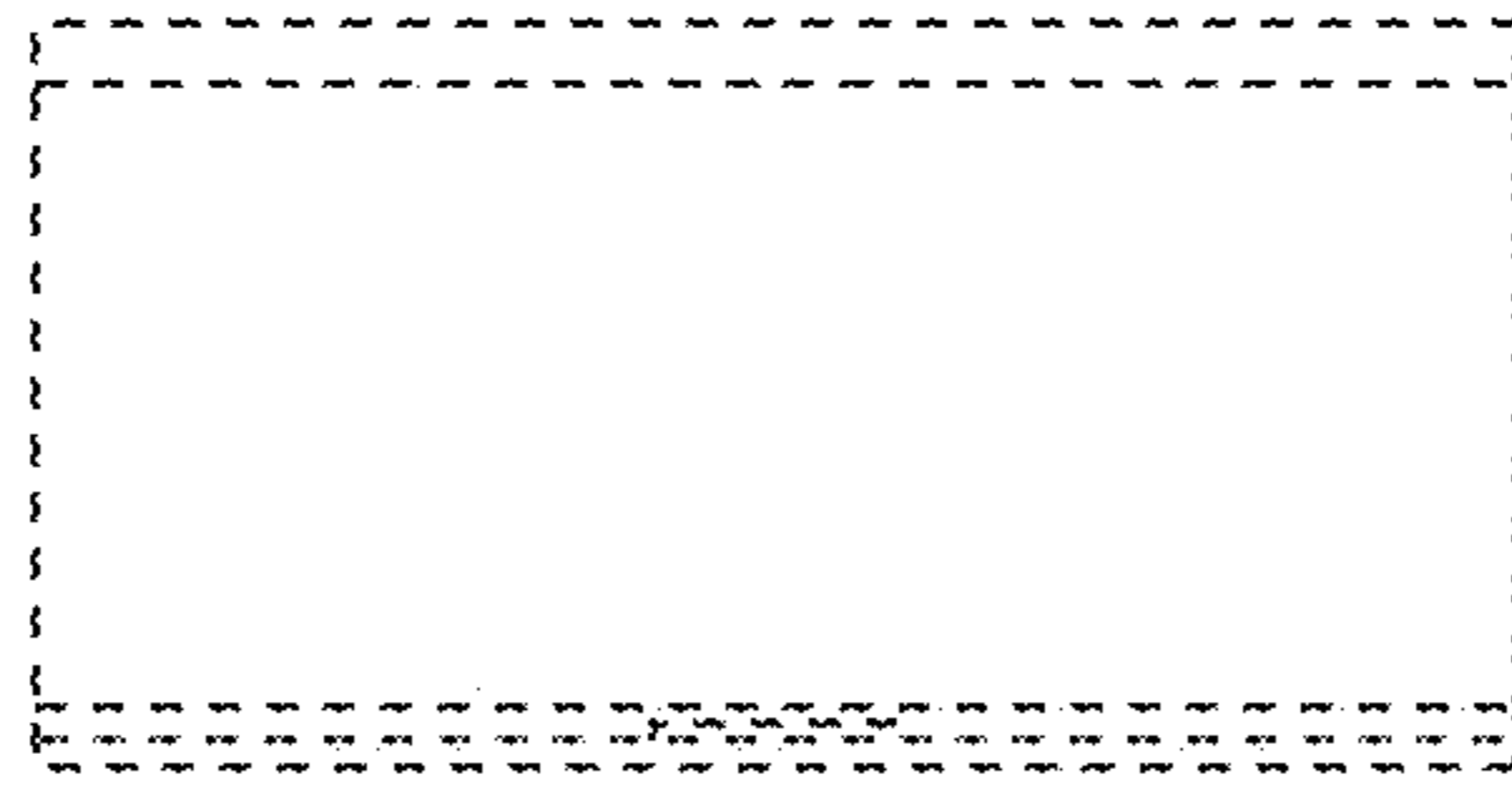


FIG. 5

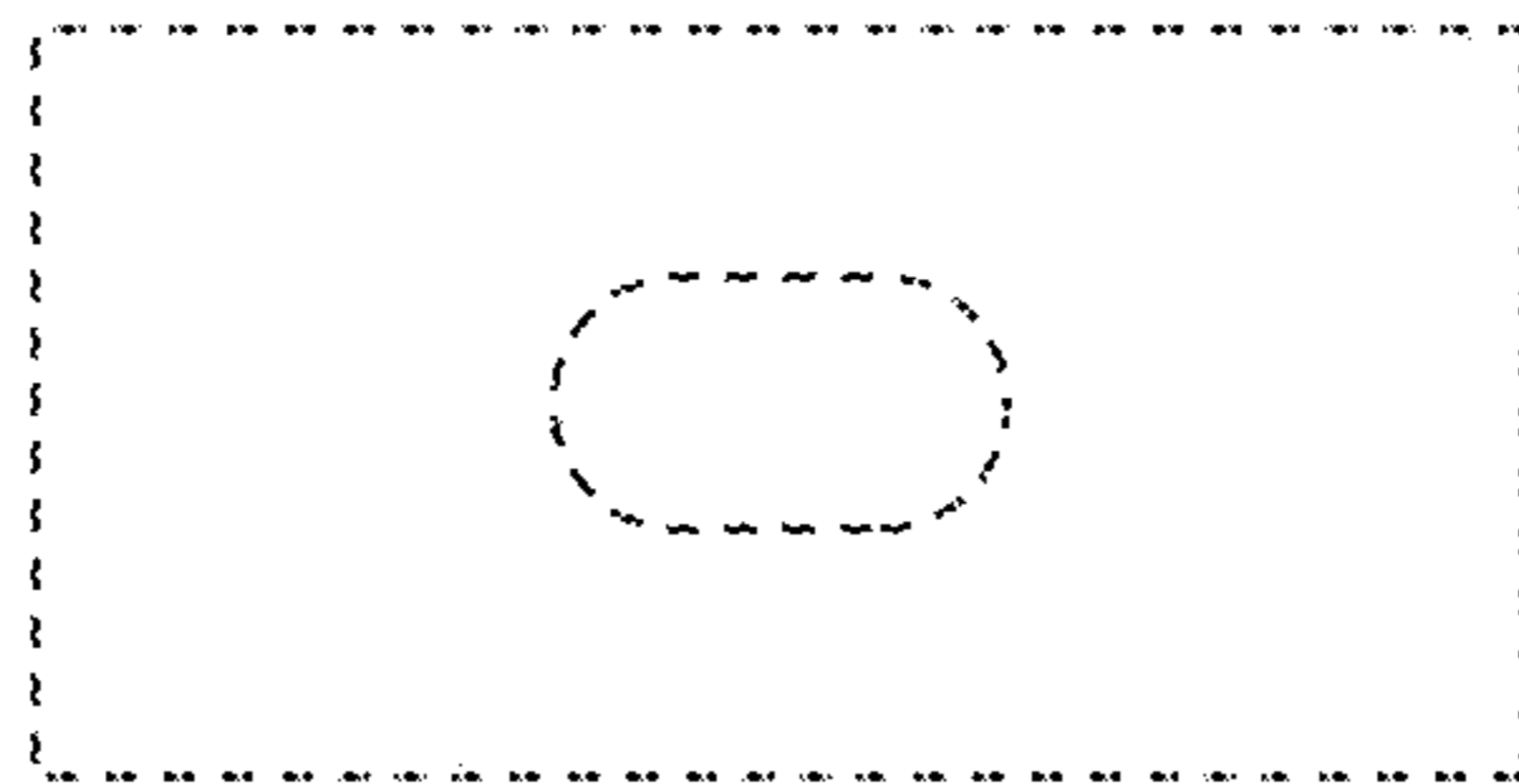


FIG. 6

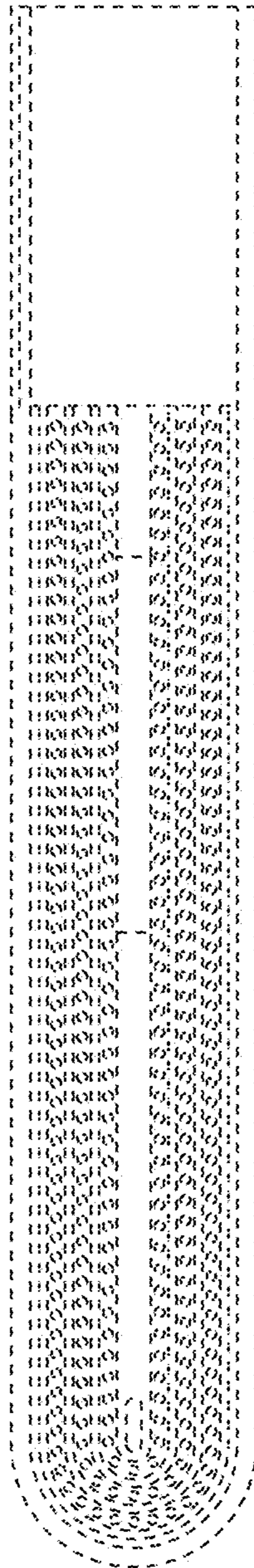


FIG. 7

