



US00D892904S

(12) **United States Design Patent**
Dearsley et al.

(10) **Patent No.:** **US D892,904 S**

(45) **Date of Patent:** **** Aug. 11, 2020**

(54) **CAMERA**

(71) Applicant: **Microsoft Corporation**, Redmond, WA (US)

(72) Inventors: **Simon Cameron Dearsley**, Bellevue, WA (US); **Benjamin S. Peterson**, Seattle, WA (US); **Go Osaki**, Shenzhen (CN); **Yan Shang**, Redmond, WA (US)

(73) Assignee: **Microsoft Corporation**, Redmond, WA (US)

(**) Term: **15 Years**

(21) Appl. No.: **29/692,341**

(22) Filed: **May 24, 2019**

(51) **LOC (12) Cl.** **16-05**

(52) **U.S. Cl.**
USPC **D16/219**

(58) **Field of Classification Search**

USPC D16/200, 202–203, 208, 218, 219, 242;
248/187.1; 348/14.01–14.6, 143, 148,
348/151, 373–376; 396/419, 427, 428,
396/535, 539–541

CPC G03B 17/02; G03B 19/04; G03B 17/56;
G03B 17/04; G03B 15/03; H04N
2101/00; H04N 2007/145; H04N 7/141;
H04N 7/142; H04N 7/147; H04N 7/148;
H04N 7/15; H04N 7/152

See application file for complete search history.

(56) **References Cited**

U.S. PATENT DOCUMENTS

D550,266 S * 9/2007 Lau D16/202
D600,730 S * 9/2009 Su D16/202

D629,031 S * 12/2010 Su D16/202
D631,497 S * 1/2011 Han D16/202
D641,388 S * 7/2011 Shih D16/202
D680,569 S * 4/2013 Lee D16/202
D709,117 S * 7/2014 Gan D16/202
D769,956 S * 10/2016 Hinkel D16/203
D775,679 S * 1/2017 Klein D16/202
D800,201 S * 10/2017 Song D16/202
D849,098 S * 5/2019 Kapuria D16/208
D865,029 S * 10/2019 Fook D16/218
D872,792 S * 1/2020 Fletcher D16/219

* cited by examiner

Primary Examiner — Ramzi S Almatrahi

(74) *Attorney, Agent, or Firm* — Banner & Witcoff, Ltd.

(57) **CLAIM**

The ornamental design for a camera, as shown and described.

DESCRIPTION

FIG. 1 is a top front isometric view of a camera showing our new design;

FIG. 2 is a bottom rear isometric view thereof;

FIG. 3 is a front view thereof;

FIG. 4 is a rear view thereof;

FIG. 5 is a right side view thereof;

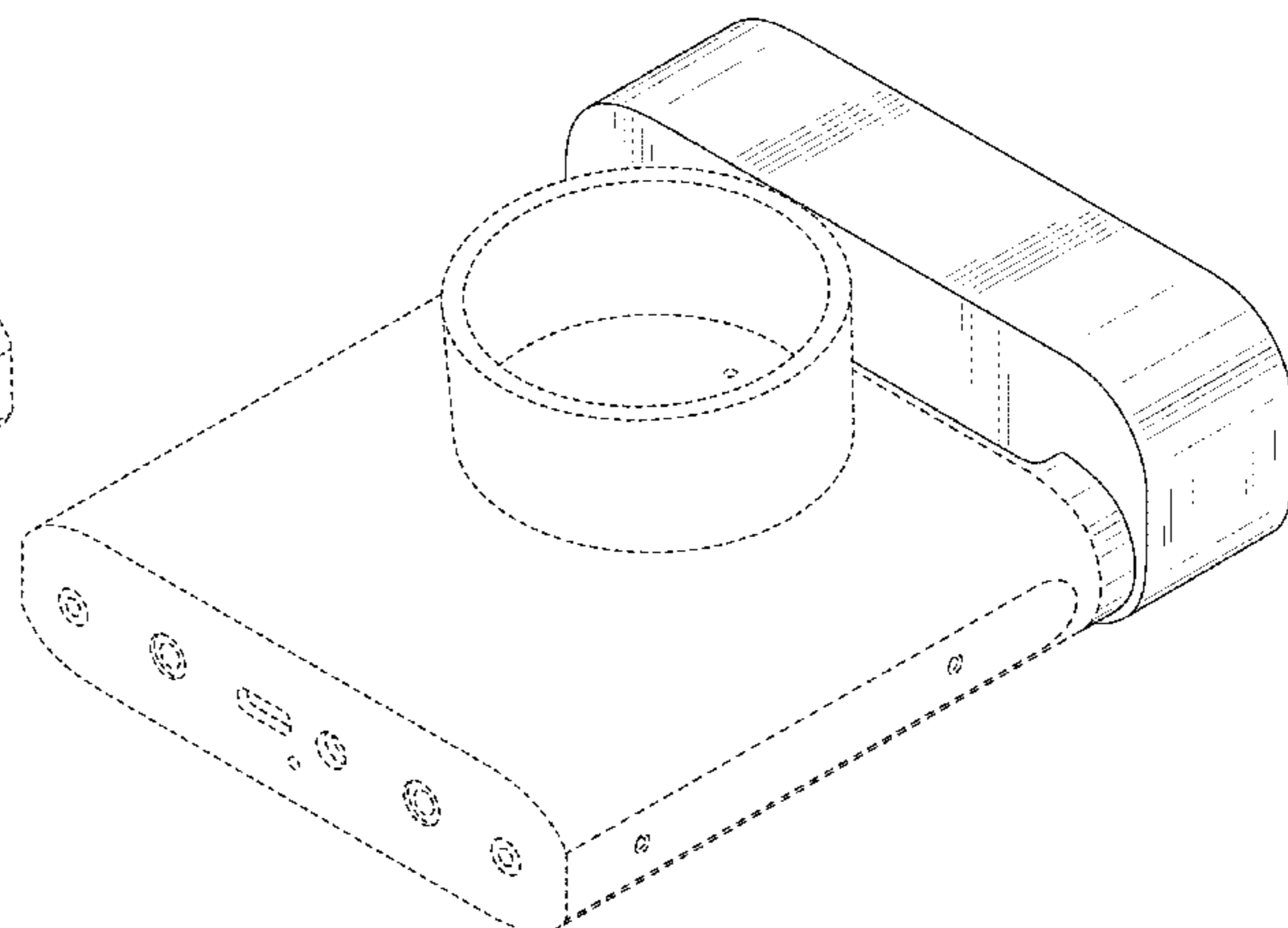
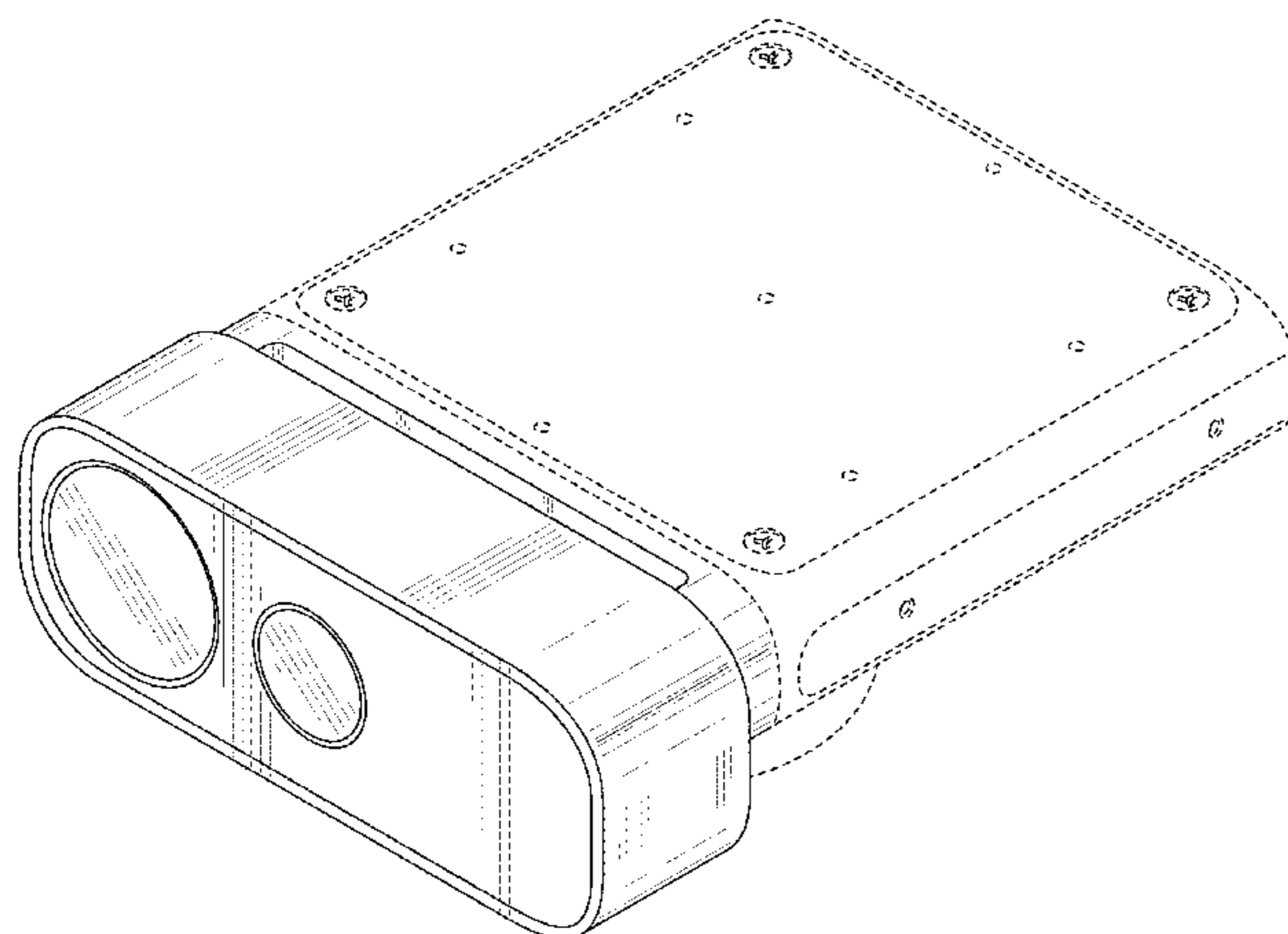
FIG. 6 is a left side view thereof;

FIG. 7 is a top view thereof; and,

FIG. 8 is a bottom view thereof.

The broken lines depict portions of the camera in which the design is embodied that form no part of the claimed design.

1 Claim, 8 Drawing Sheets



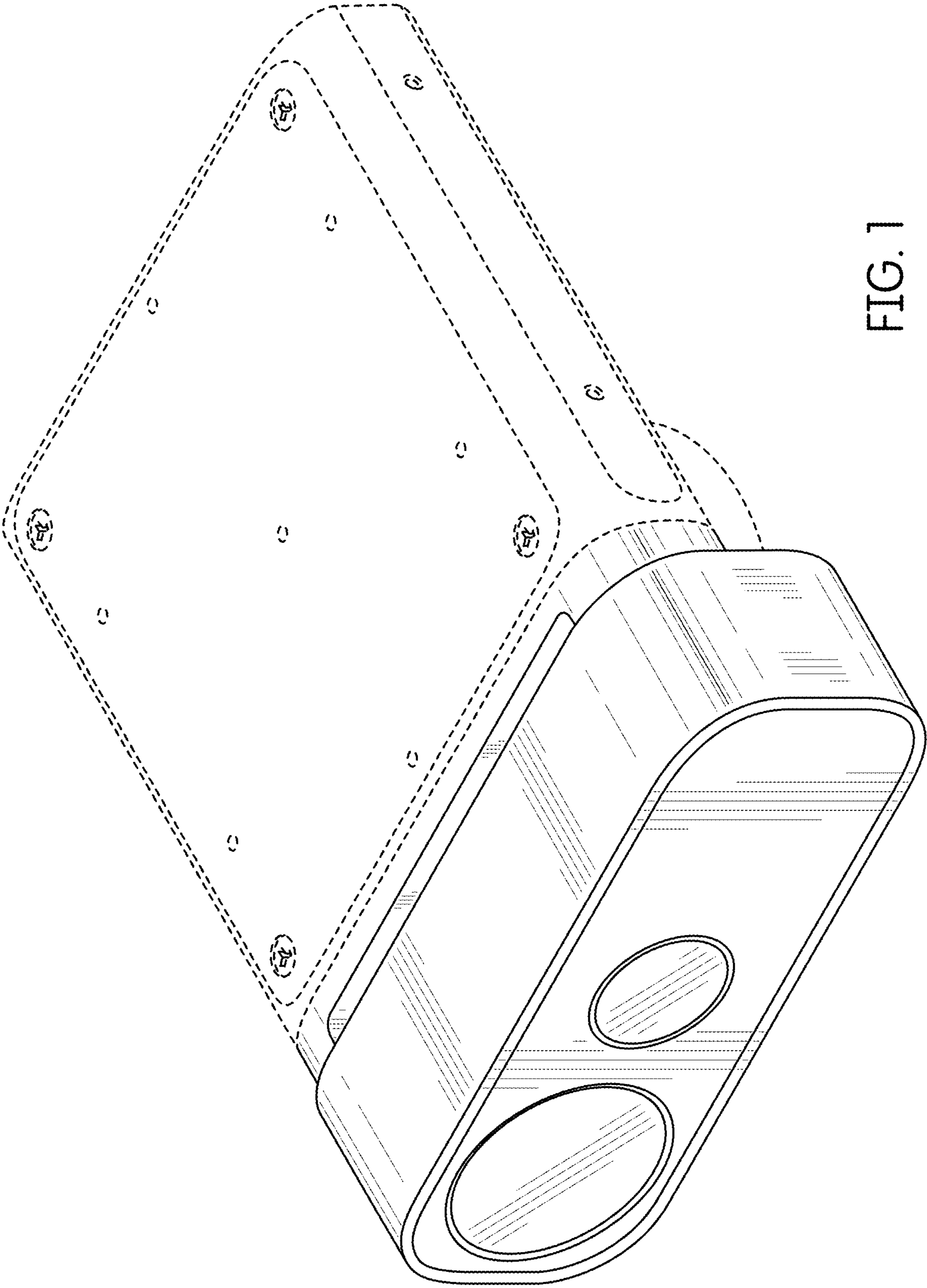


FIG. 1

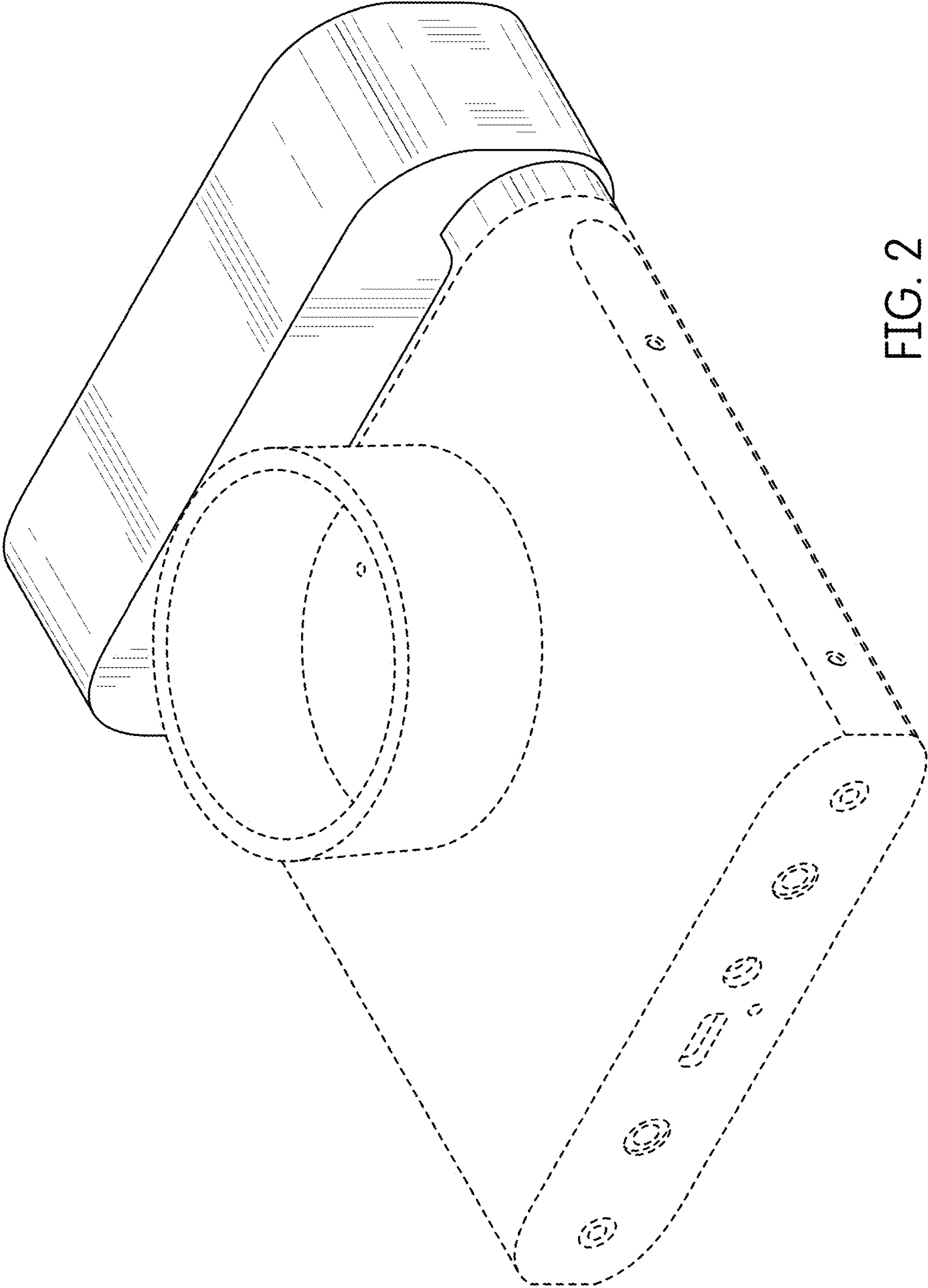


FIG. 2

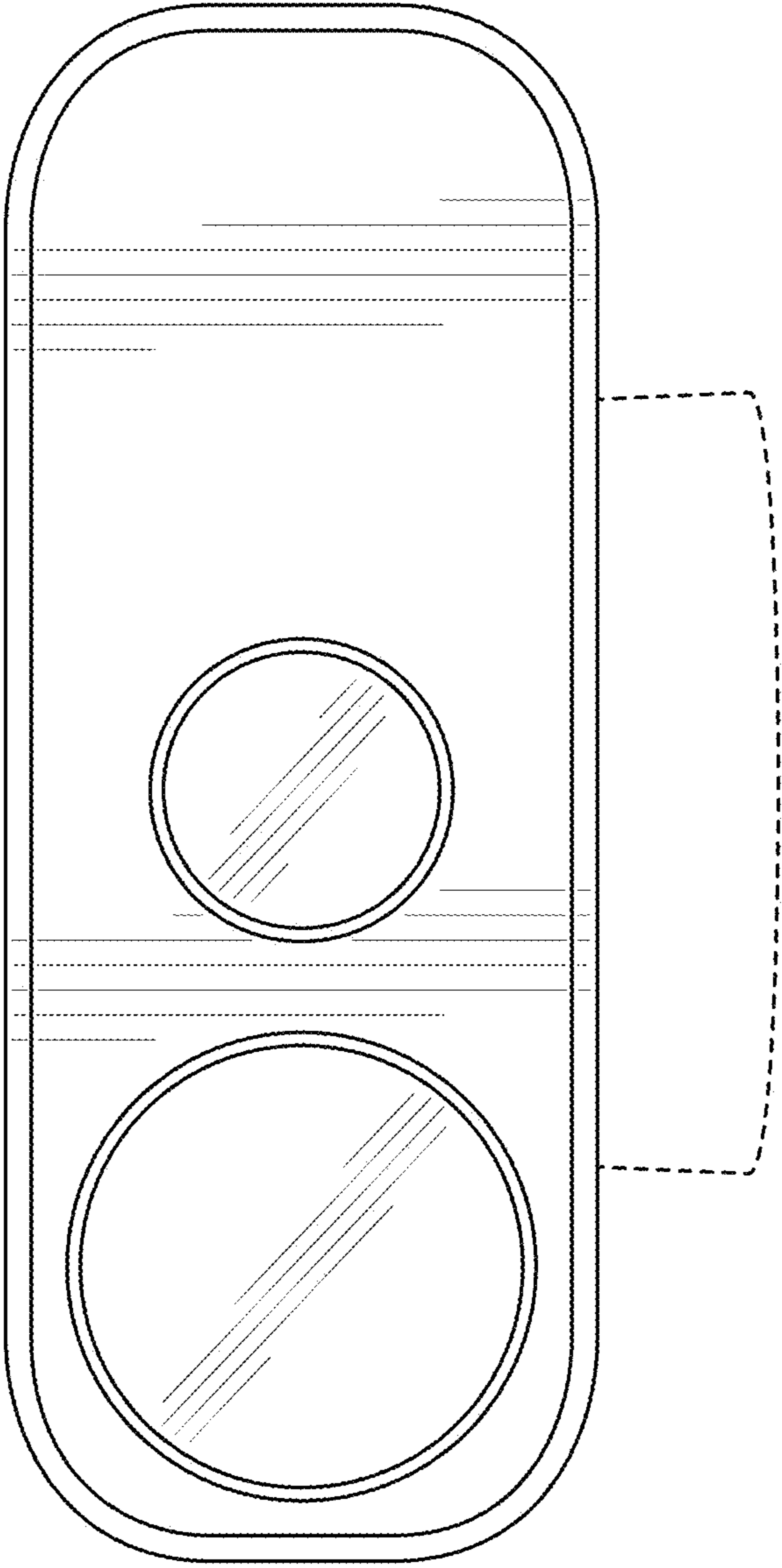


FIG. 3

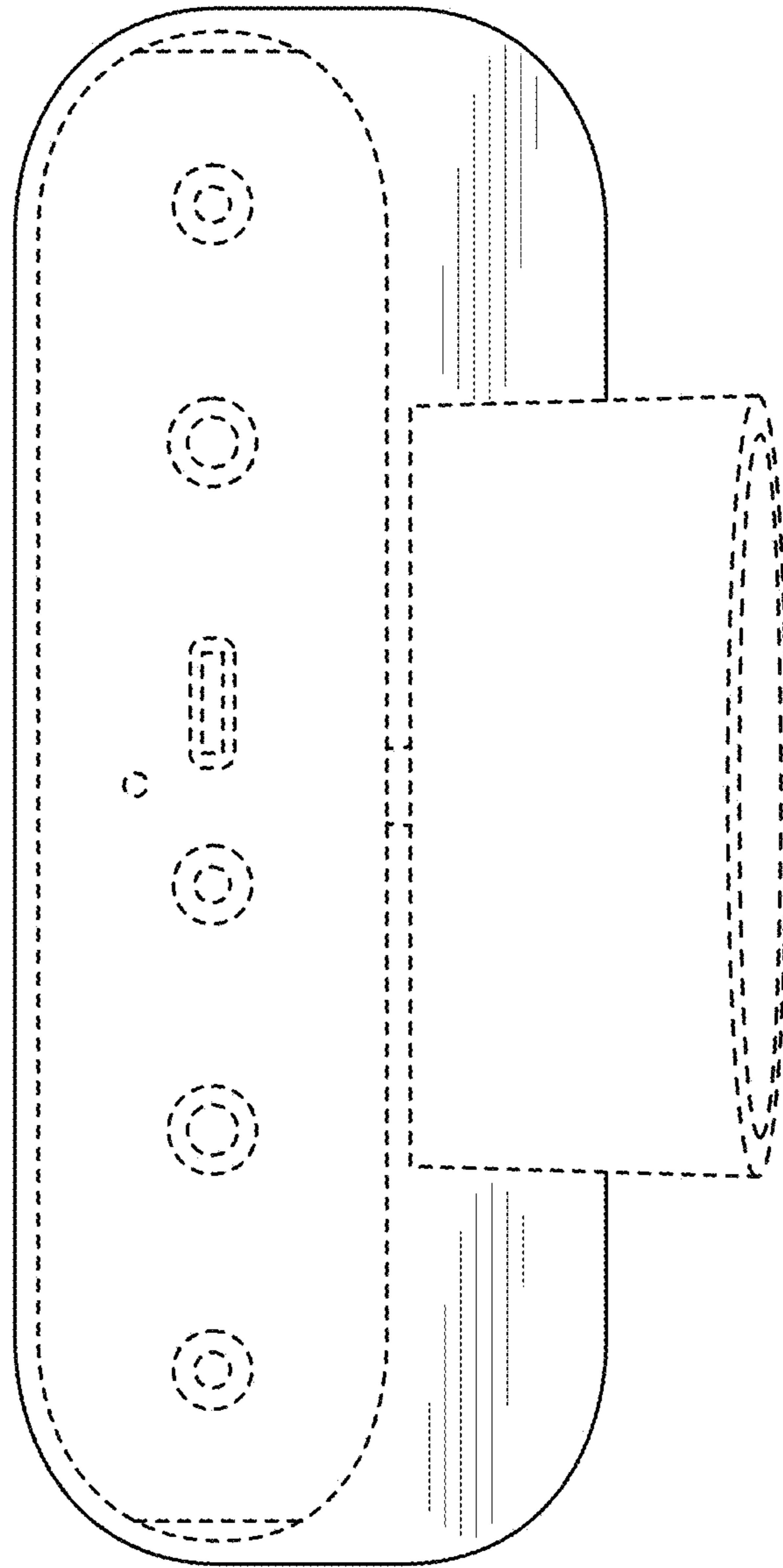


FIG. 4

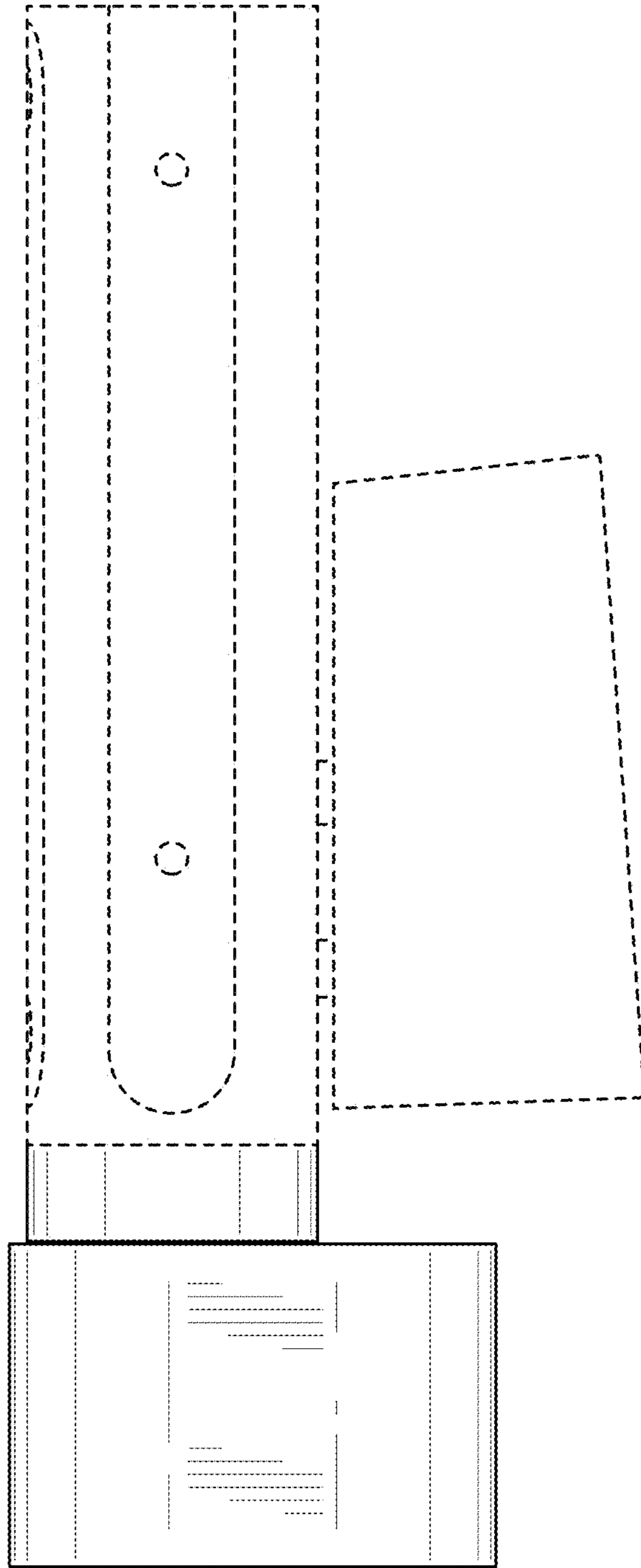


FIG. 5

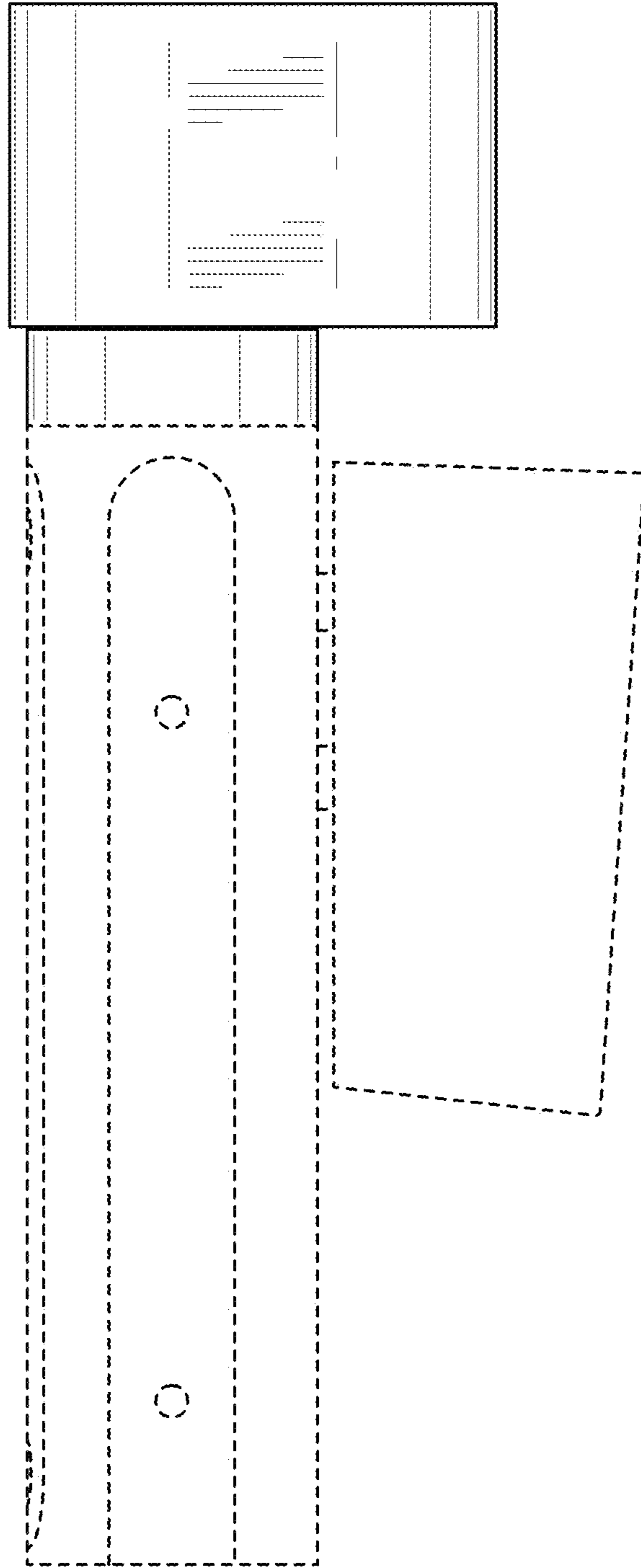


FIG. 6

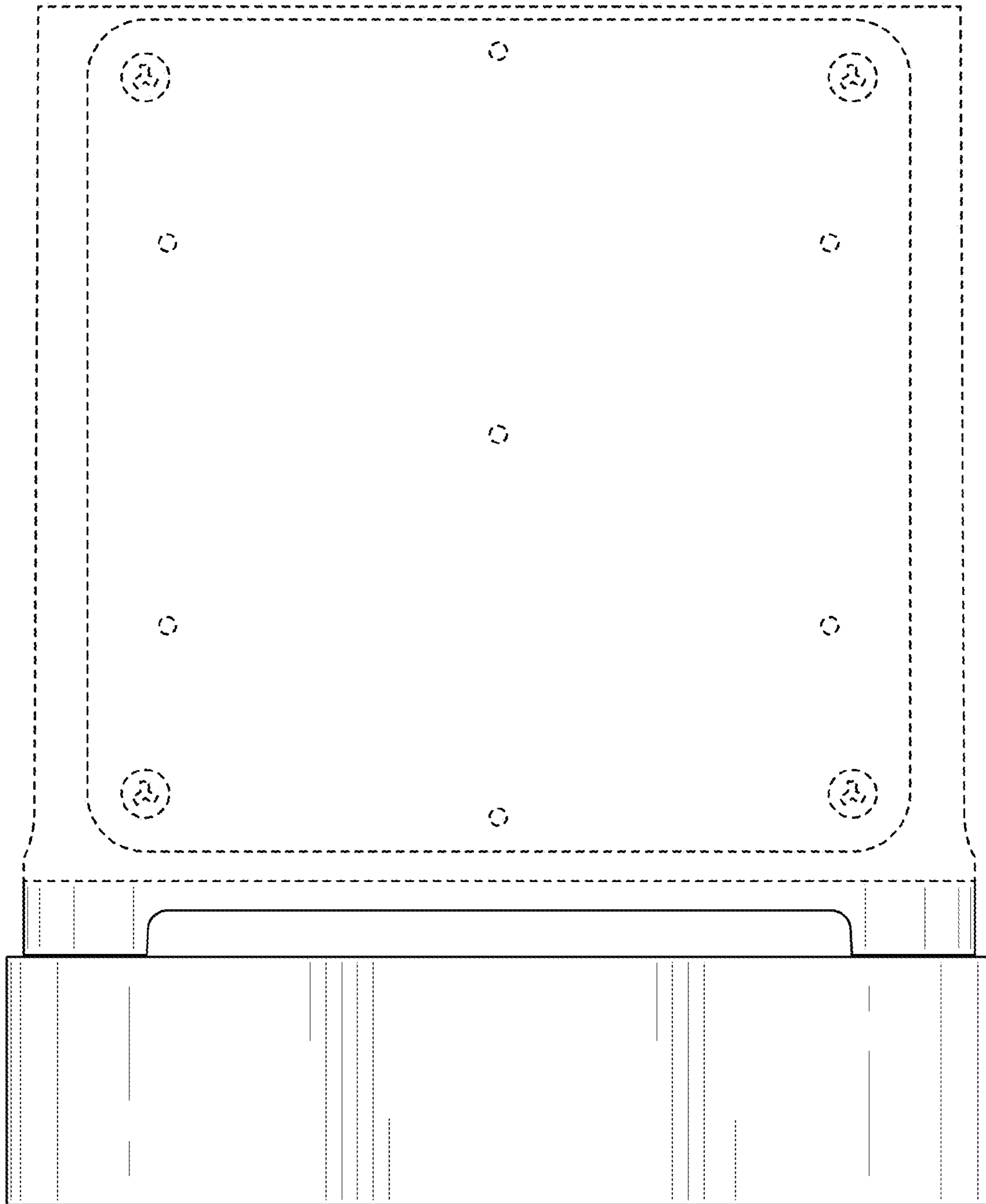


FIG. 7

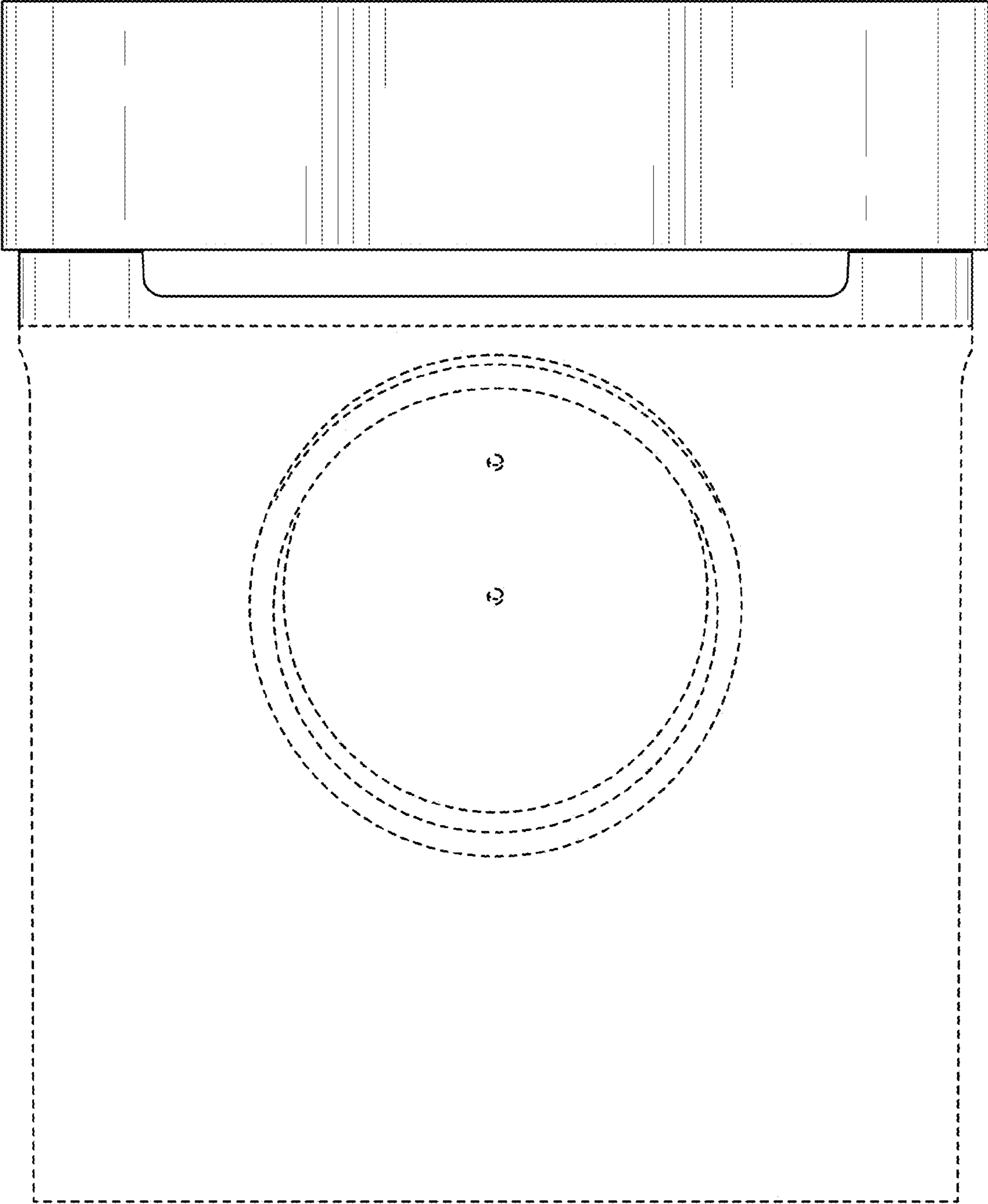


FIG. 8