



US00D892903S

(12) **United States Design Patent**
Li

(10) **Patent No.:** **US D892,903 S**

(45) **Date of Patent:** **** Aug. 11, 2020**

(54) **PORTABLE CAMERA**

(71) Applicant: **Getac Technology Corporation,**
Hsinchu County (TW)

(72) Inventor: **Chun-Hsing Li,** Taipei (TW)

(73) Assignee: **GETAC TECHNOLOGY**
CORPORATION, Hsinchu County
(TW)

(**) Term: **15 Years**

(21) Appl. No.: **29/686,043**

(22) Filed: **Apr. 2, 2019**

(51) **LOC (12) Cl.** **16-05**

(52) **U.S. Cl.**
USPC **D16/219**

(58) **Field of Classification Search**
USPC D16/200, 202-206, 208-209, 212, 218,
D16/219; 348/373-376; 396/448, 535,
396/539-541
CPC G03B 15/03; G03B 17/02; G03B 17/04;
G03B 17/56; G03B 19/04; H04N 5/2251;
H04N 5/2252; H04N 5/2253; H04N
5/2254; H04N 7/181; H04N 7/183; H04N
7/18

See application file for complete search history.

(56) **References Cited**

U.S. PATENT DOCUMENTS

D428,038 S * 7/2000 Suto D16/208
D449,330 S * 10/2001 Suzuki D16/219
D451,527 S * 12/2001 Suzuki D16/212
D455,771 S * 4/2002 Suzuki D16/212

D499,131 S * 11/2004 Tanio D16/212
D502,202 S * 2/2005 Mitsuse D16/202
D509,235 S * 9/2005 Imai D16/202
D678,381 S * 3/2013 Fujita D16/219
D838,307 S * 1/2019 Patulski D16/219
D846,620 S * 4/2019 Katori D16/219
D883,365 S * 5/2020 Nishimori D16/219
D887,480 S * 6/2020 Brickner D16/219
D887,481 S * 6/2020 Brickner D16/219

* cited by examiner

Primary Examiner — Ramzi S Almatrahi

(74) *Attorney, Agent, or Firm* — Locke Lord LLP; Tim
Tingkang Xia, Esq.

(57) **CLAIM**

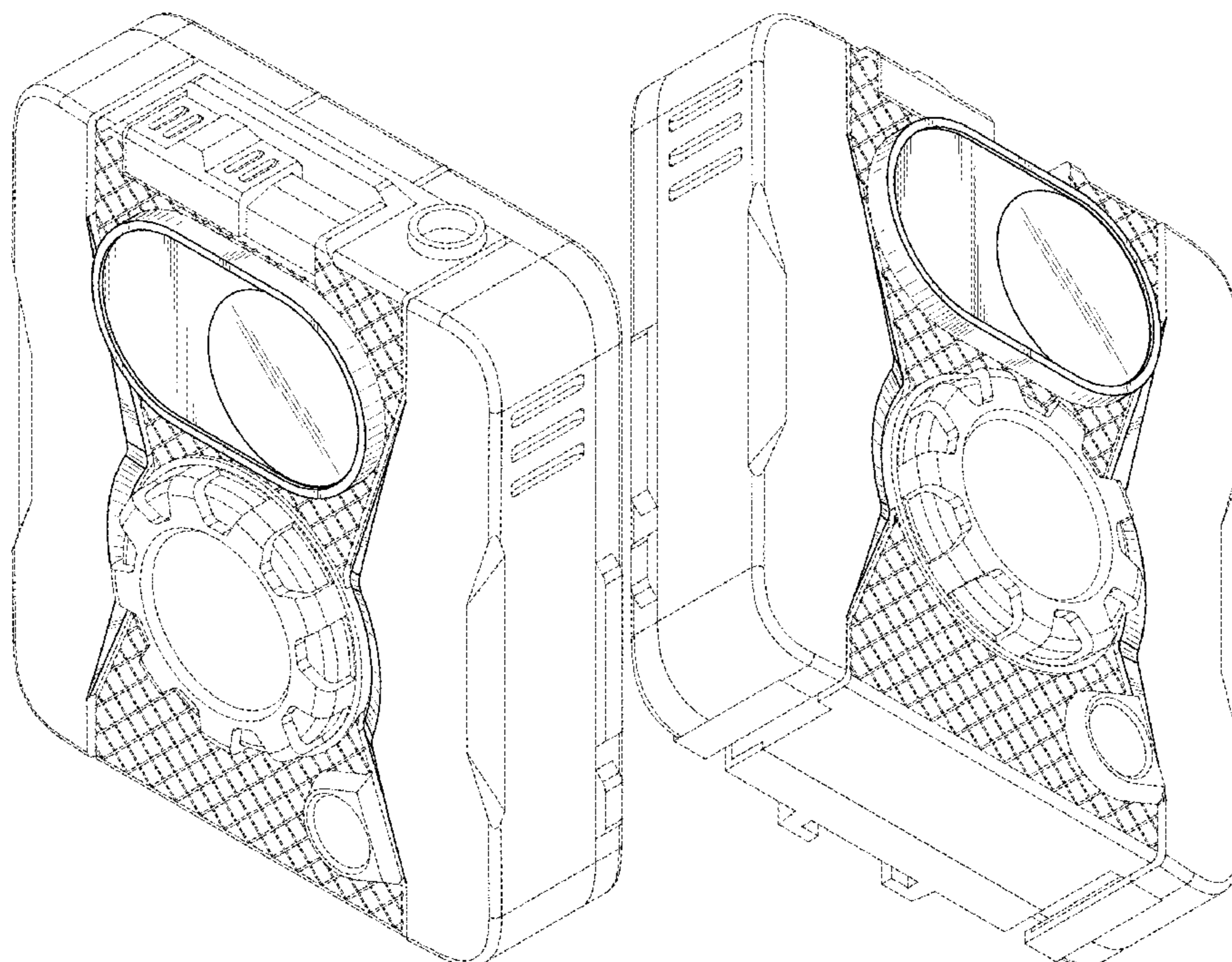
The ornamental design for a portable camera, as shown and
described.

DESCRIPTION

FIG. 1 is a top, front and right side perspective view of a
portable camera showing my new design;
FIG. 2 is a bottom, front and left side perspective view
thereof;
FIG. 3 is a front view thereof;
FIG. 4 is a rear view thereof;
FIG. 5 is a left side view thereof;
FIG. 6 is a right side view thereof;
FIG. 7 is a top view thereof; and,
FIG. 8 is a bottom view thereof.

The broken lines depict portions of the portable camera in
which the design is embodied that form no part of the
claimed design.

1 Claim, 6 Drawing Sheets



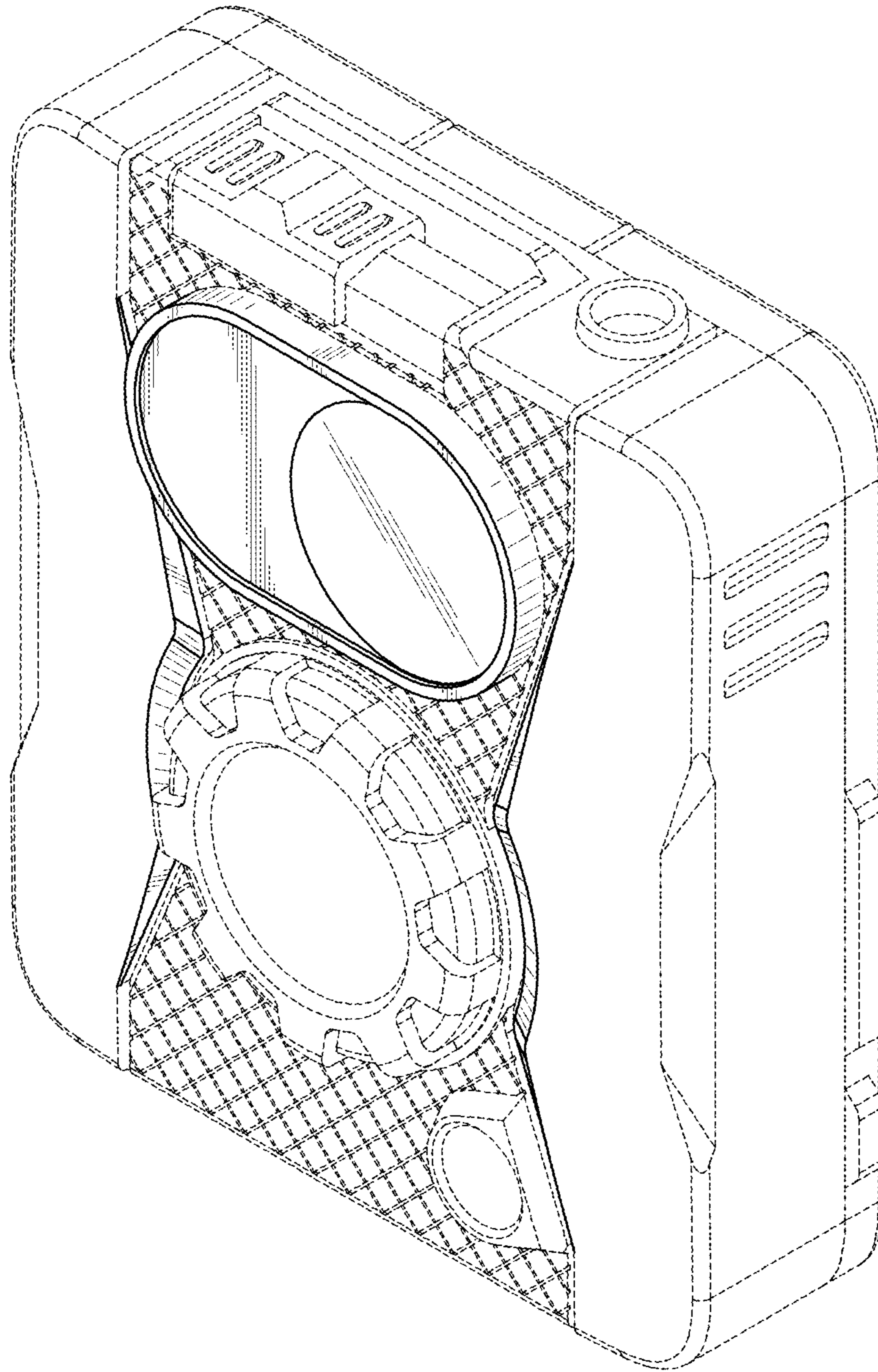


FIG. 1

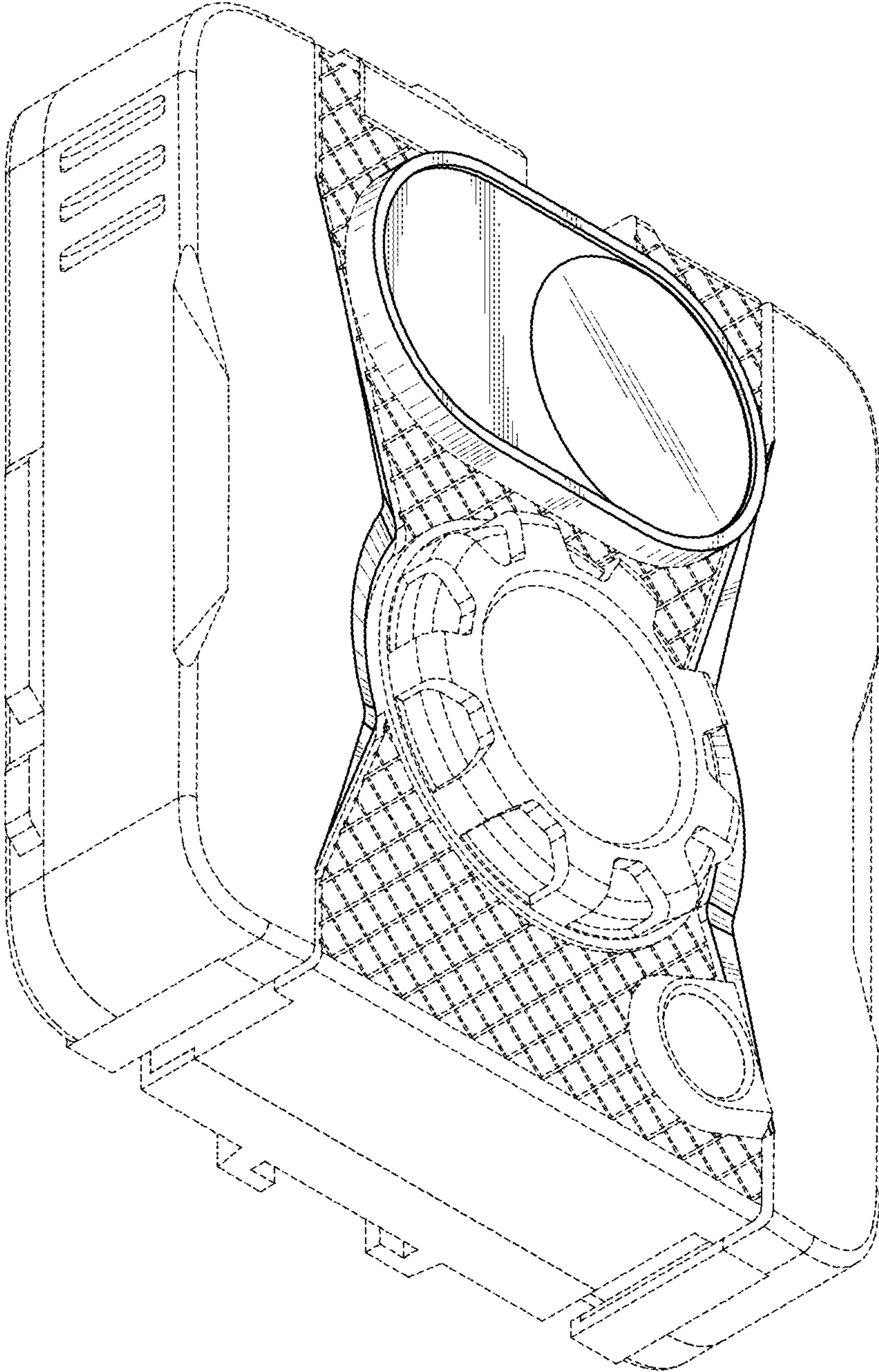


FIG. 2

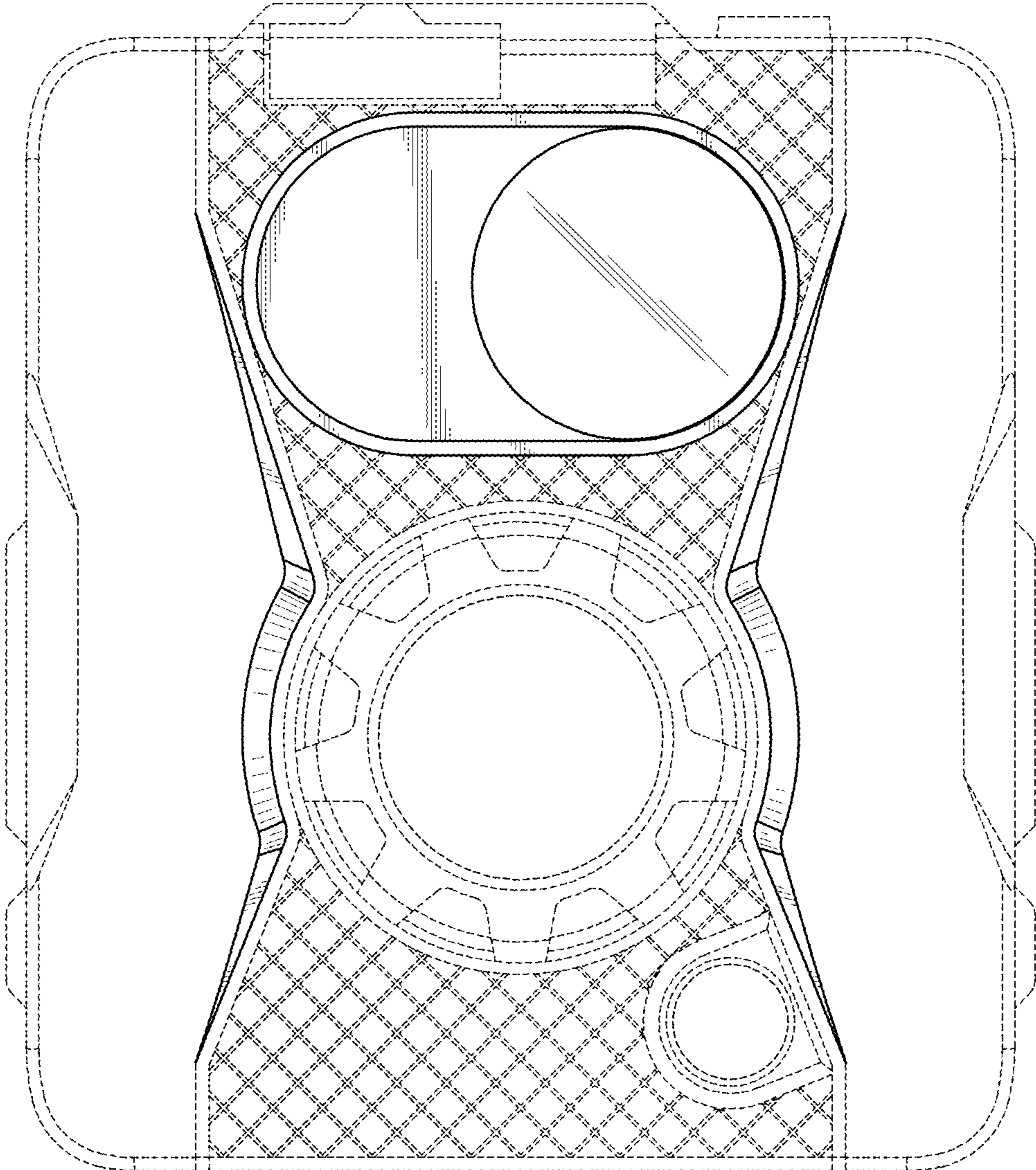


FIG. 3

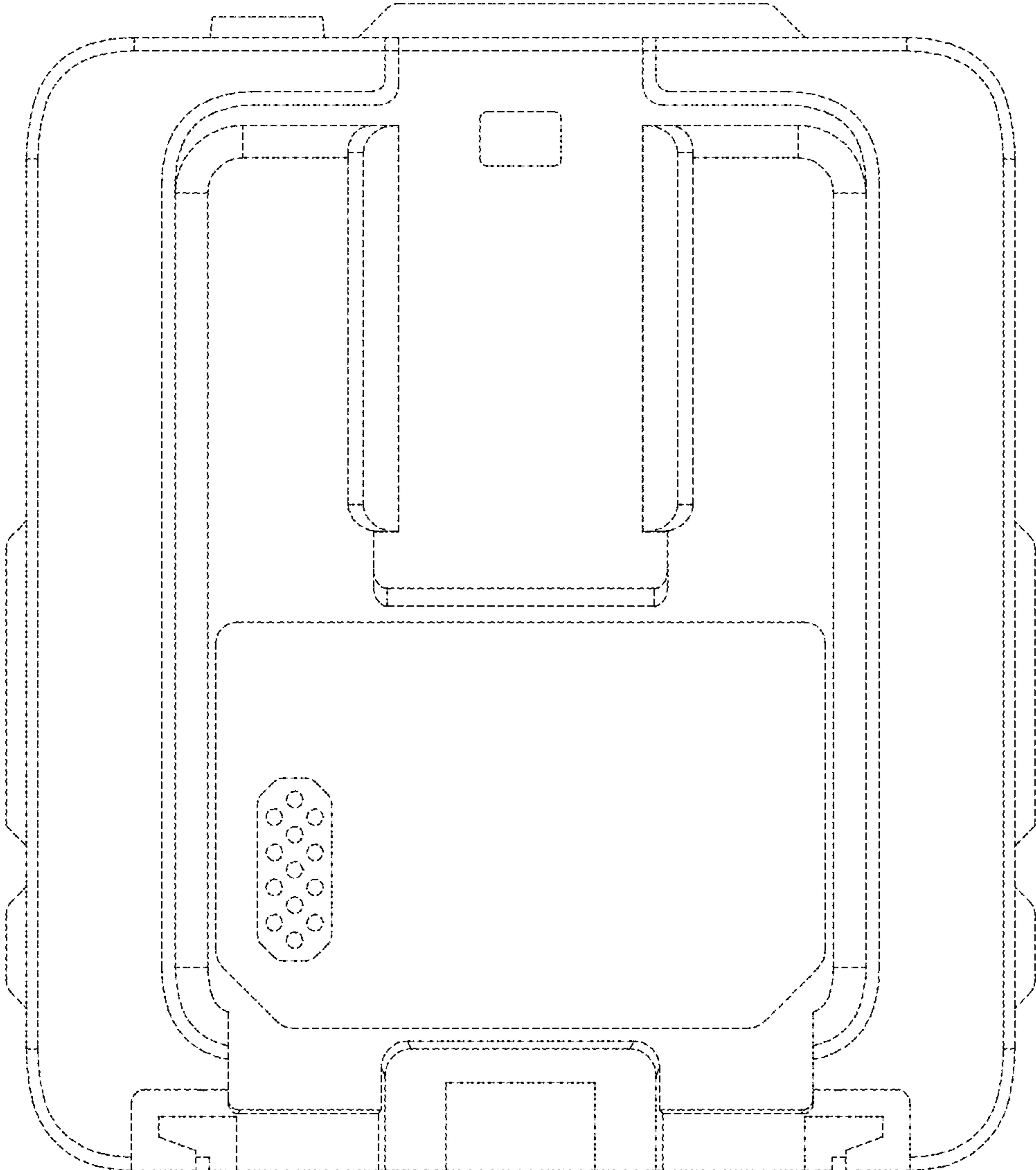


FIG. 4

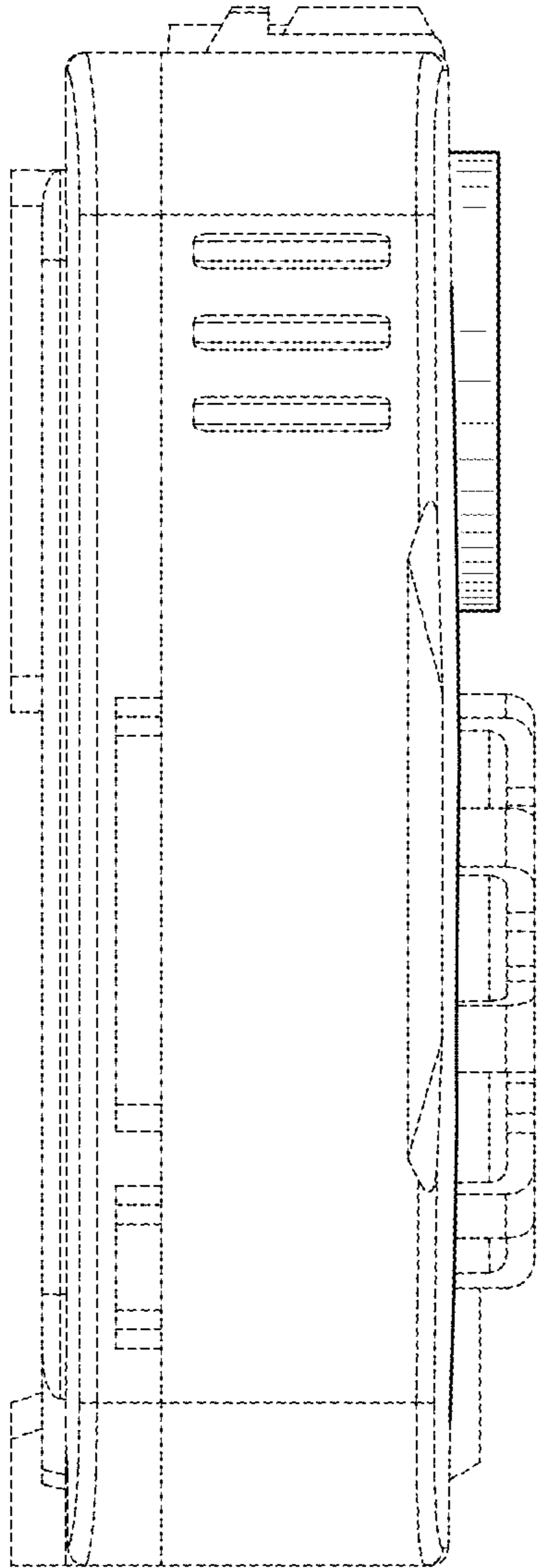


FIG. 5

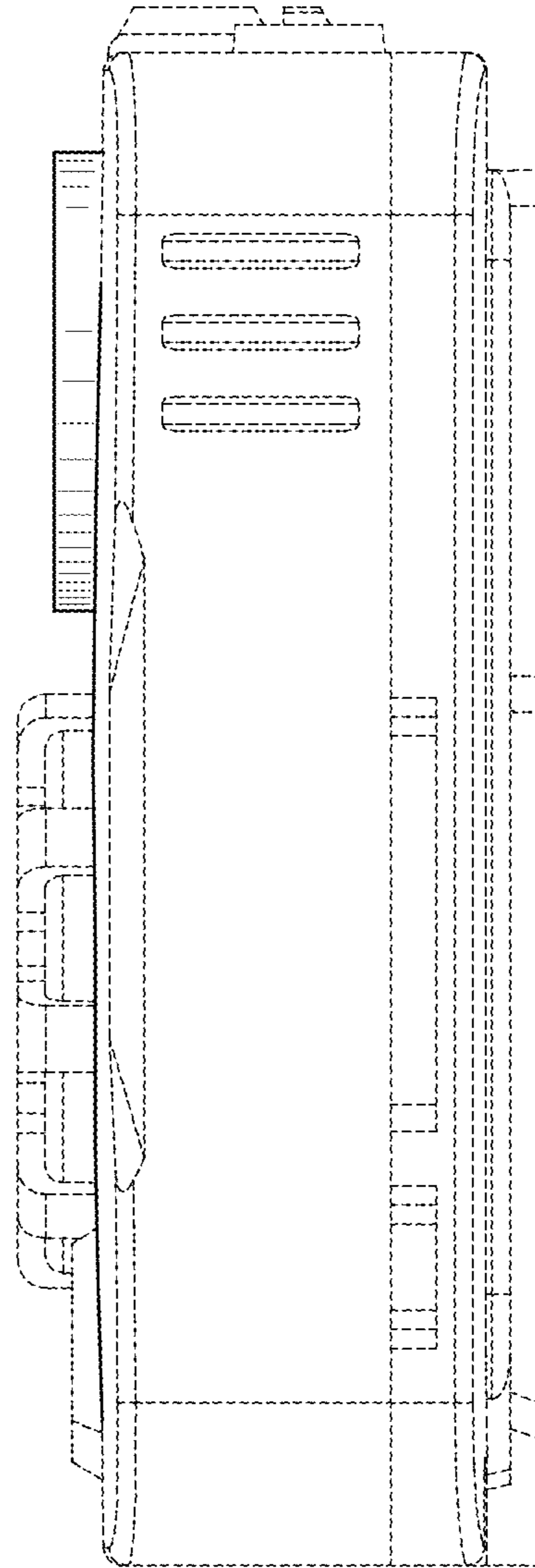


FIG. 6

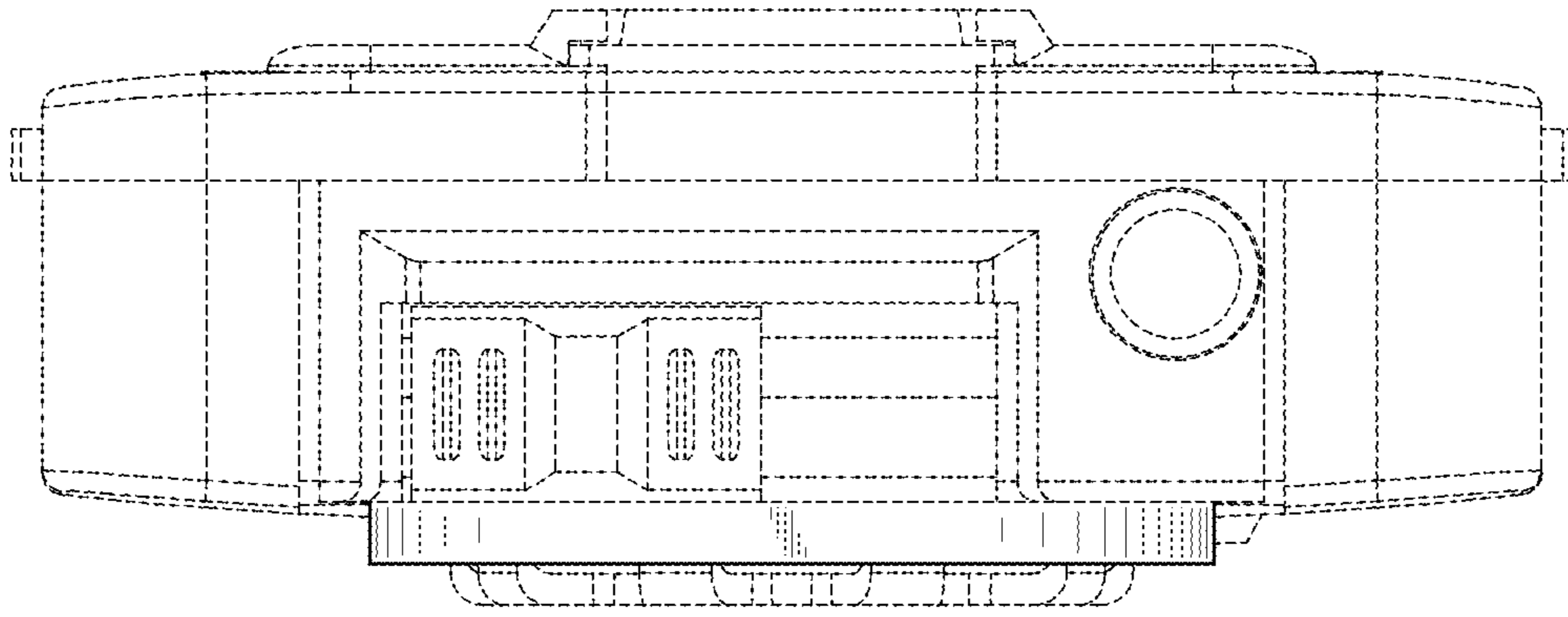


FIG. 7

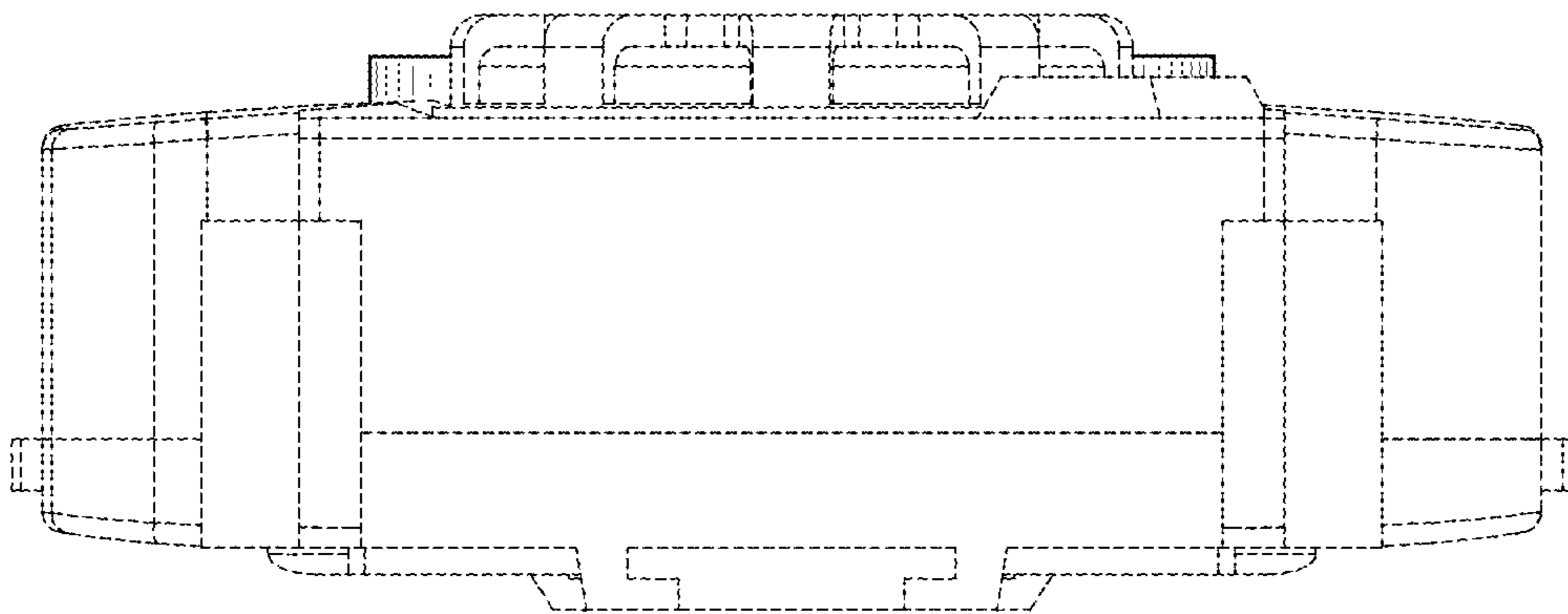


FIG. 8