



US00D892901S

(12) **United States Design Patent**
Xu

(10) **Patent No.:** **US D892,901 S**

(45) **Date of Patent:** **** Aug. 11, 2020**

(54) **CAMERA**

(71) Applicant: **Swolf Tech Limited**, Shenzhen (CN)

(72) Inventor: **Tao Xu**, Shenzhen (CN)

(**) Term: **15 Years**

(21) Appl. No.: **29/640,247**

(22) Filed: **Mar. 13, 2018**

(51) **LOC (12) Cl.** **16-01**

(52) **U.S. Cl.**
USPC **D16/218**

(58) **Field of Classification Search**
USPC D16/200, 202–206, 208–209, 212, 218,
D16/219; 348/373–376; 396/448, 535,
396/539–541
CPC G03B 15/03; G03B 17/02; G03B 17/04;
G03B 17/56; G03B 19/04; H04N 5/2251;
H04N 5/2252; H04N 5/2253; H04N
5/2254; H04N 2101/00

See application file for complete search history.

(56) **References Cited**

U.S. PATENT DOCUMENTS

D750,686 S *	3/2016	Chen	D16/218
D766,351 S *	9/2016	Li	D16/202
D772,966 S *	11/2016	Song	D16/200
D775,254 S *	12/2016	Parfitt	D16/202
D832,905 S *	11/2018	Liu	D16/202
D852,255 S *	6/2019	Guo	D16/202

D854,597 S *	7/2019	Gao	D16/202
D855,675 S *	8/2019	Luo	D16/202
D856,392 S *	8/2019	Luo	D16/202
D857,076 S *	8/2019	Gan	D16/202
D865,843 S *	11/2019	Hu	D16/218
D872,162 S *	1/2020	Gao	D16/218
2006/0233545 A1 *	10/2006	Senba	H04N 5/23203 396/529

* cited by examiner

Primary Examiner — Ramzi S Almatrahi

(74) *Attorney, Agent, or Firm* — Novoclaims Patent Services LLC; Mei Lin Wong

(57) **CLAIM**

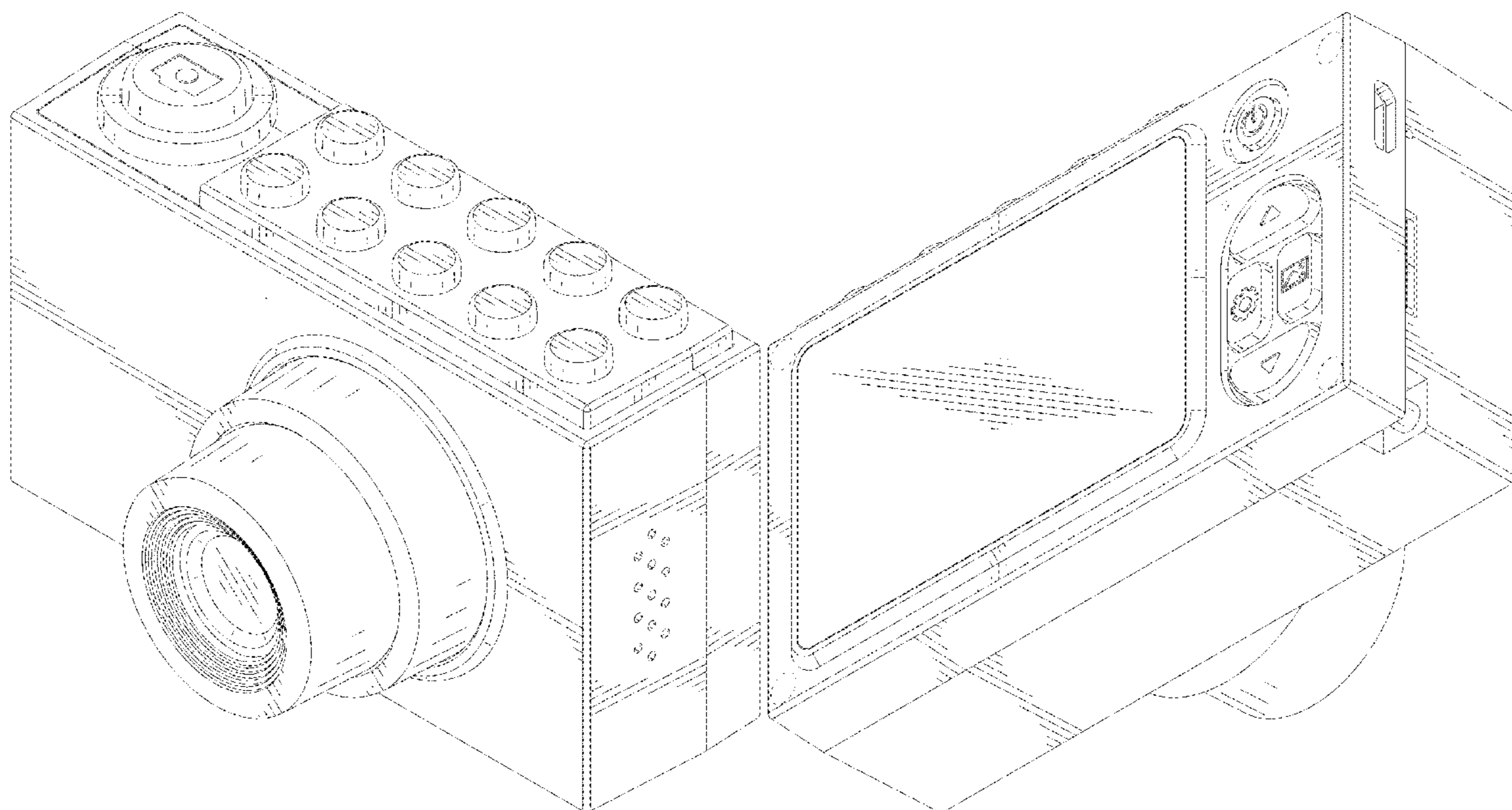
The ornamental design for a camera, as shown and described.

DESCRIPTION

FIG. 1 is a front perspective view of a camera showing my new design;
FIG. 2 is a rear perspective view thereof;
FIG. 3 is a front view thereof;
FIG. 4 is a rear view thereof;
FIG. 5 is a left side view thereof;
FIG. 6 is a right side view thereof;
FIG. 7 is a top view thereof; and,
FIG. 8 is a bottom view thereof.

The broken lines depict portions of the camera in which the design is embodied that form no part of the claimed design.

1 Claim, 8 Drawing Sheets



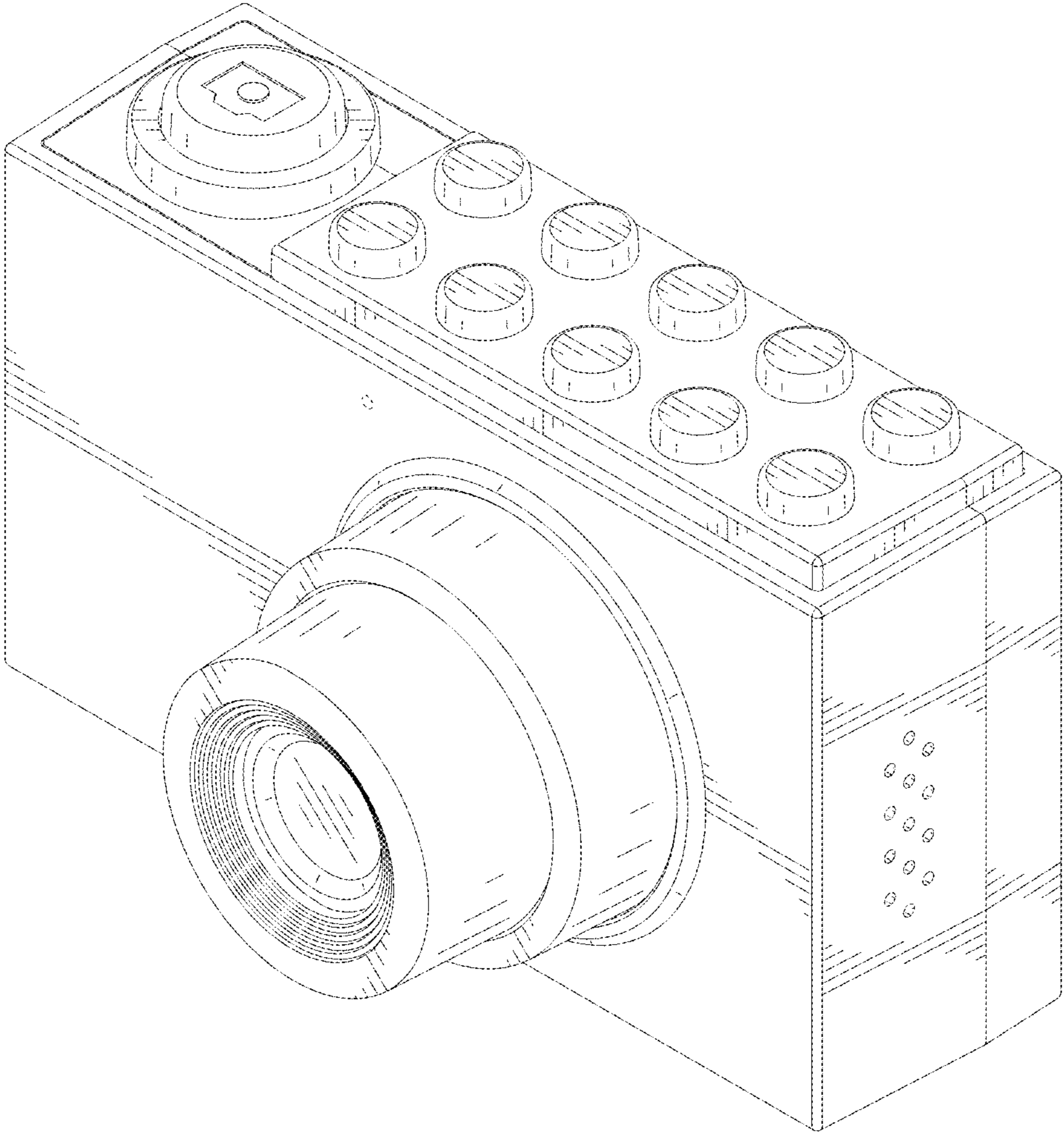


FIG.1

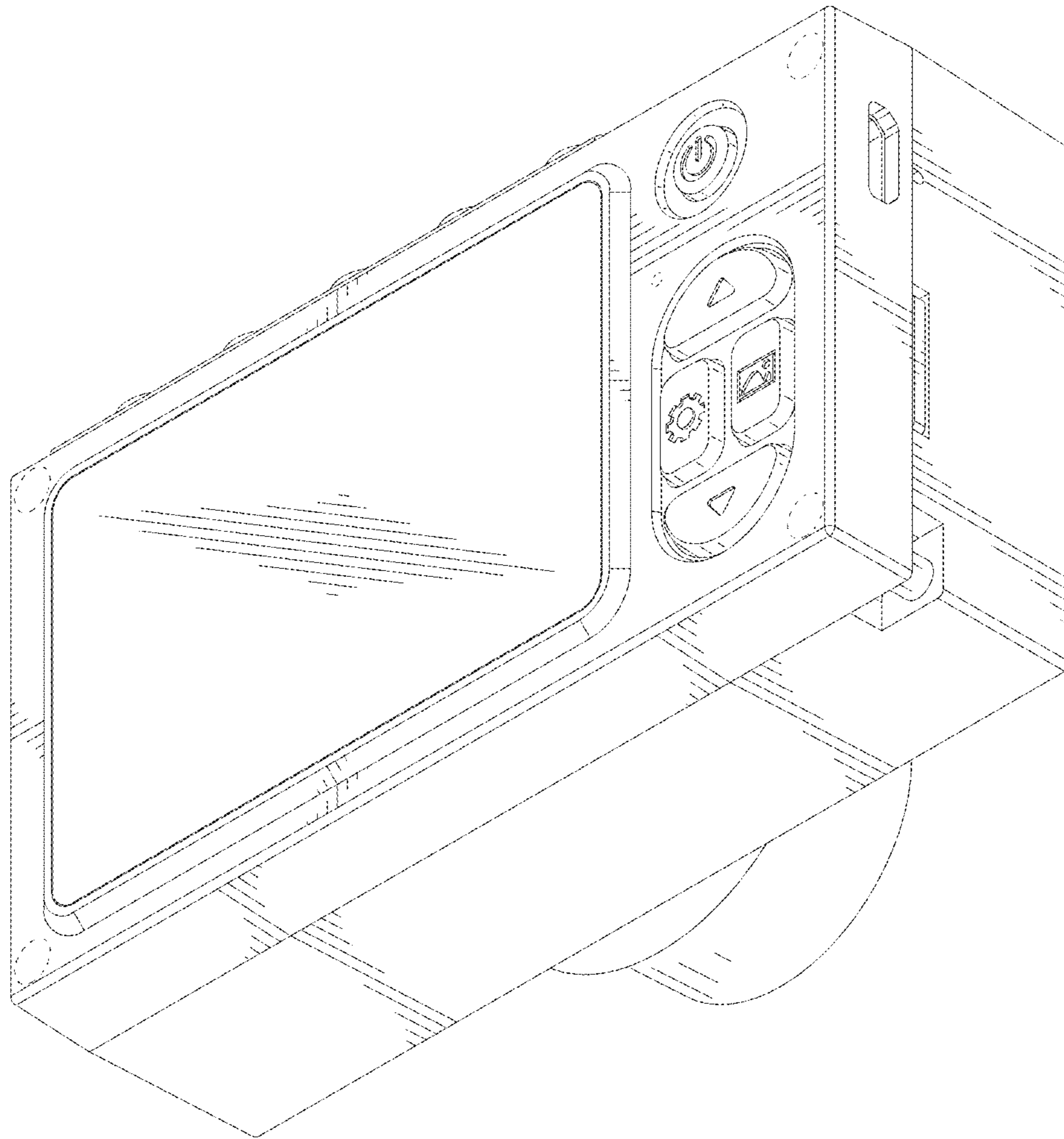


FIG.2

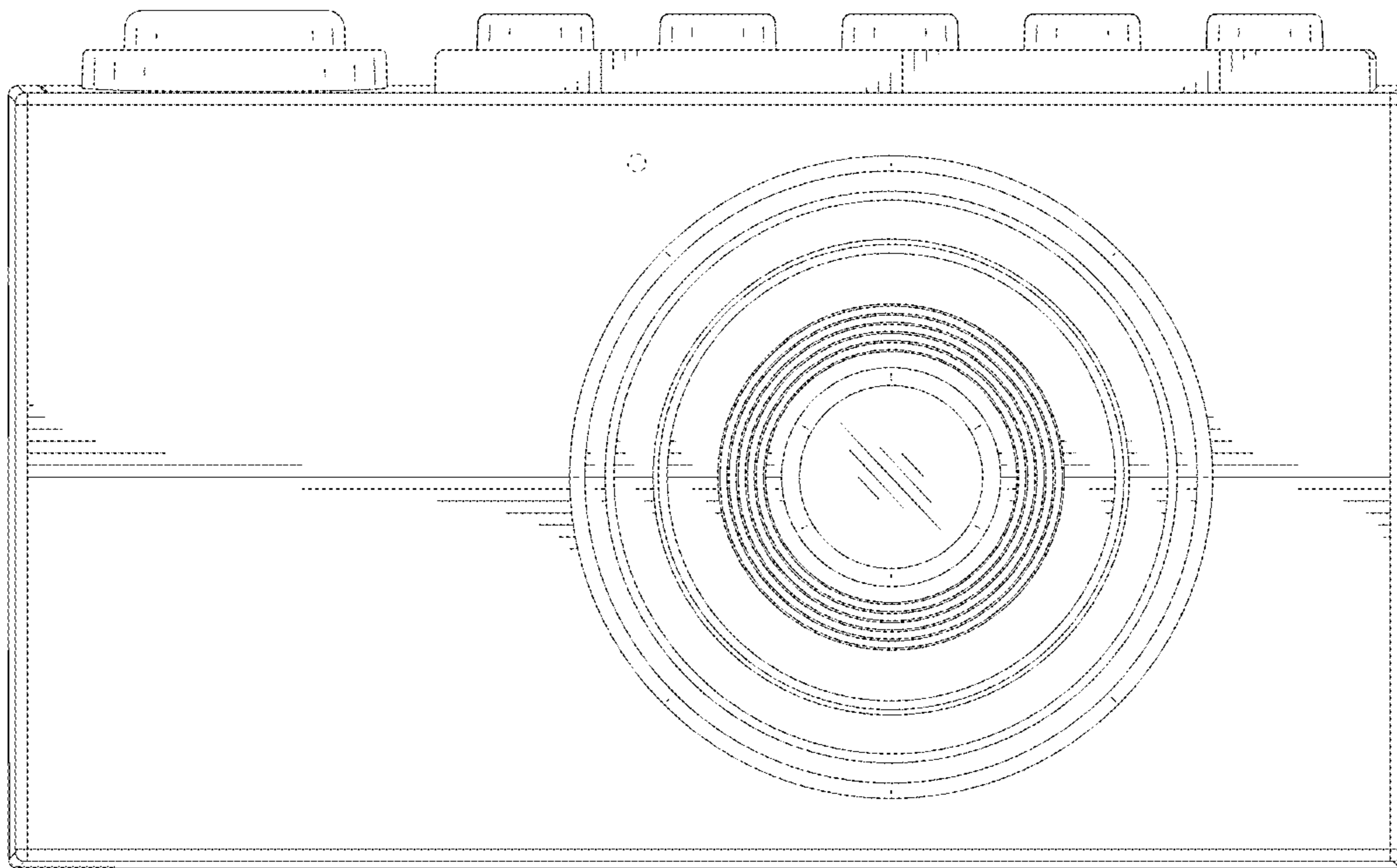


FIG.3

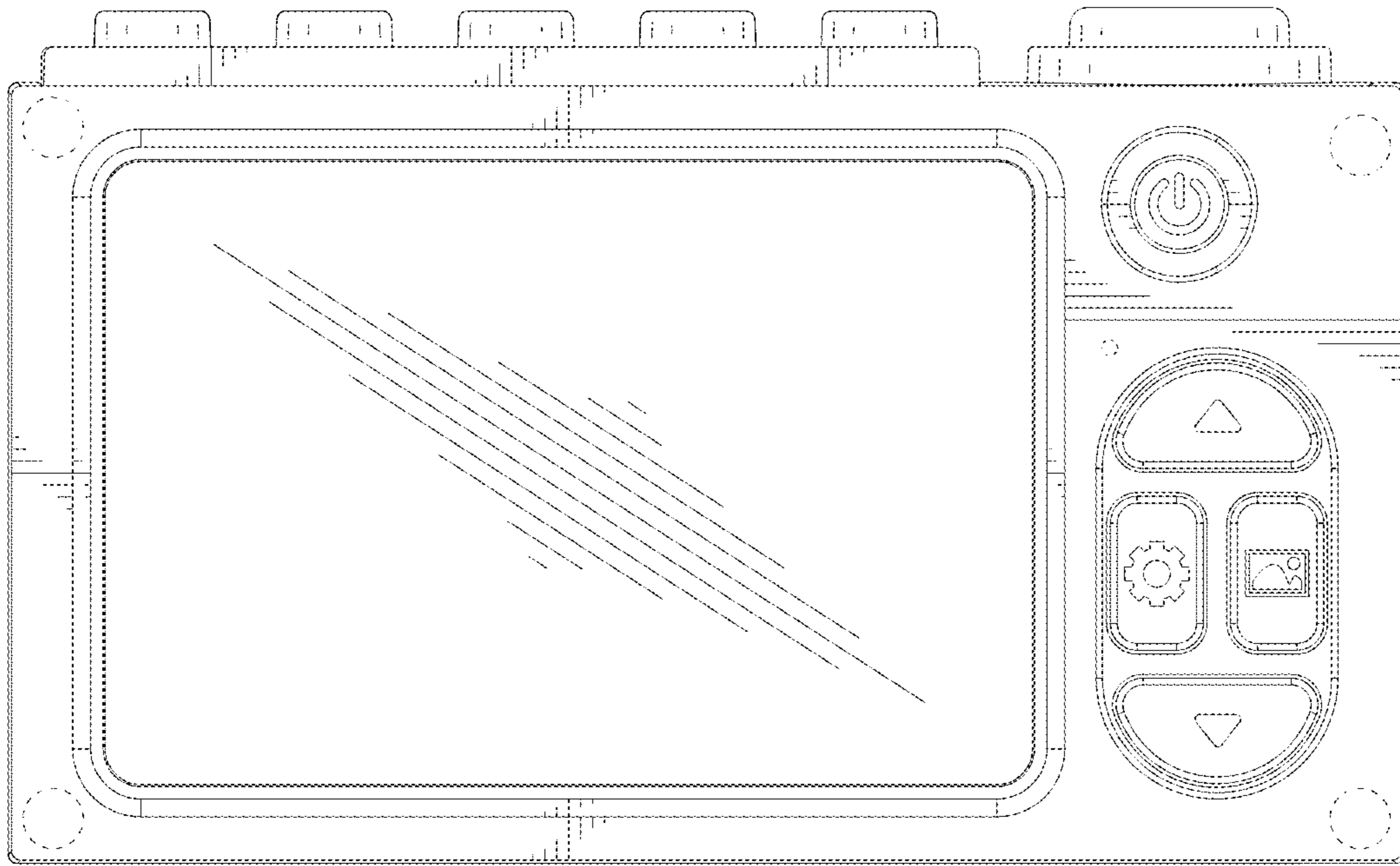


FIG.4

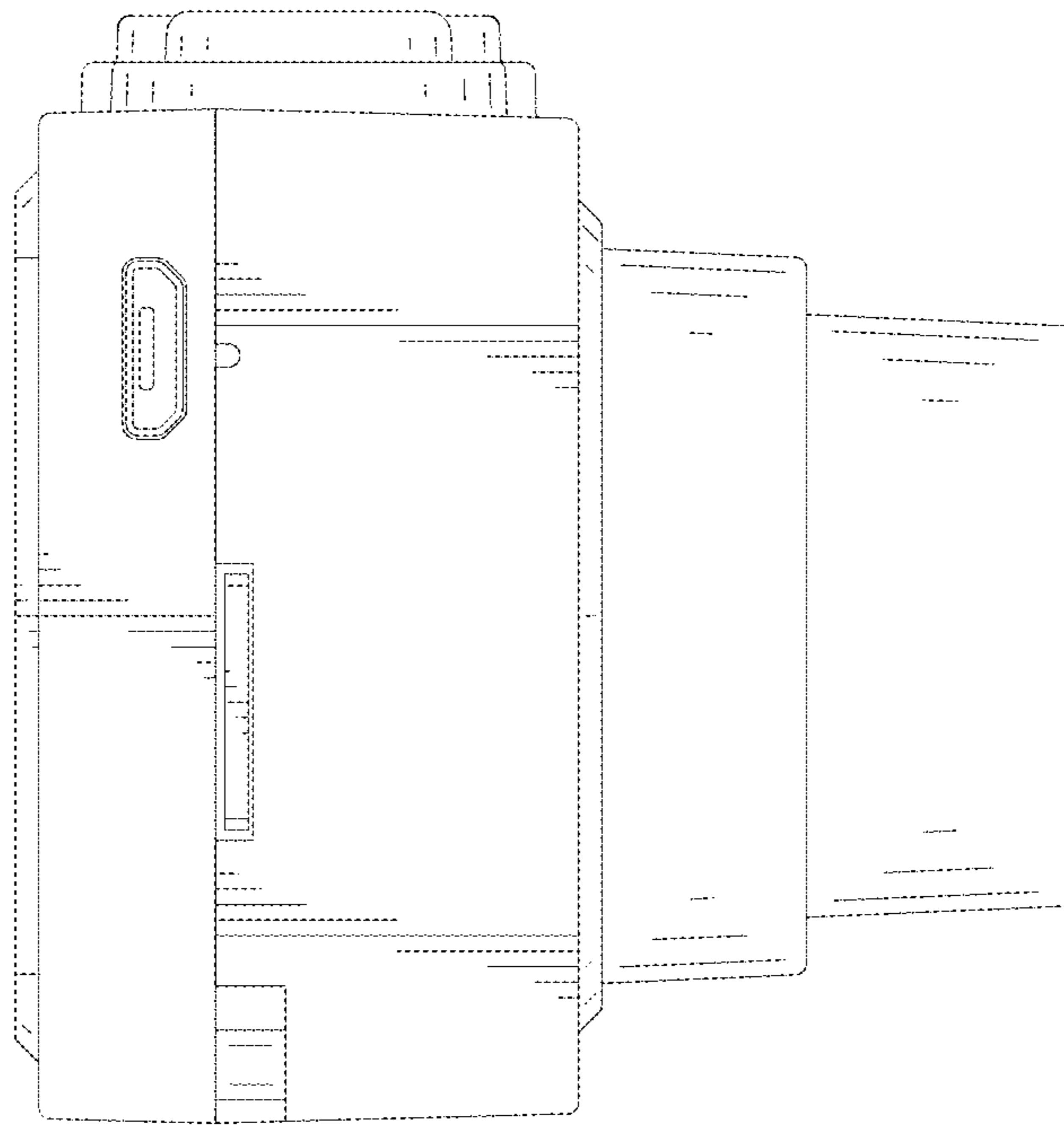


FIG.5

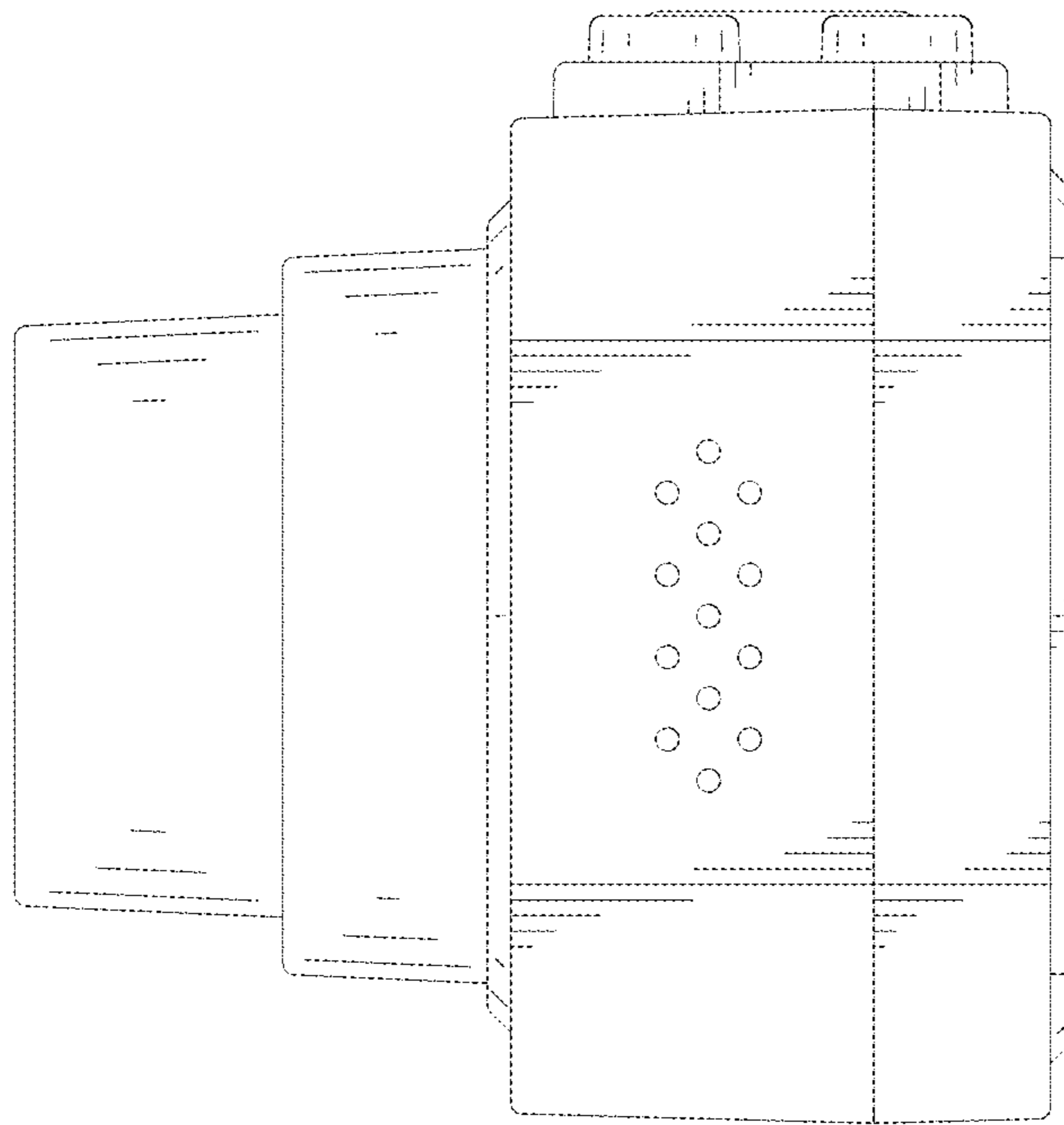


FIG.6

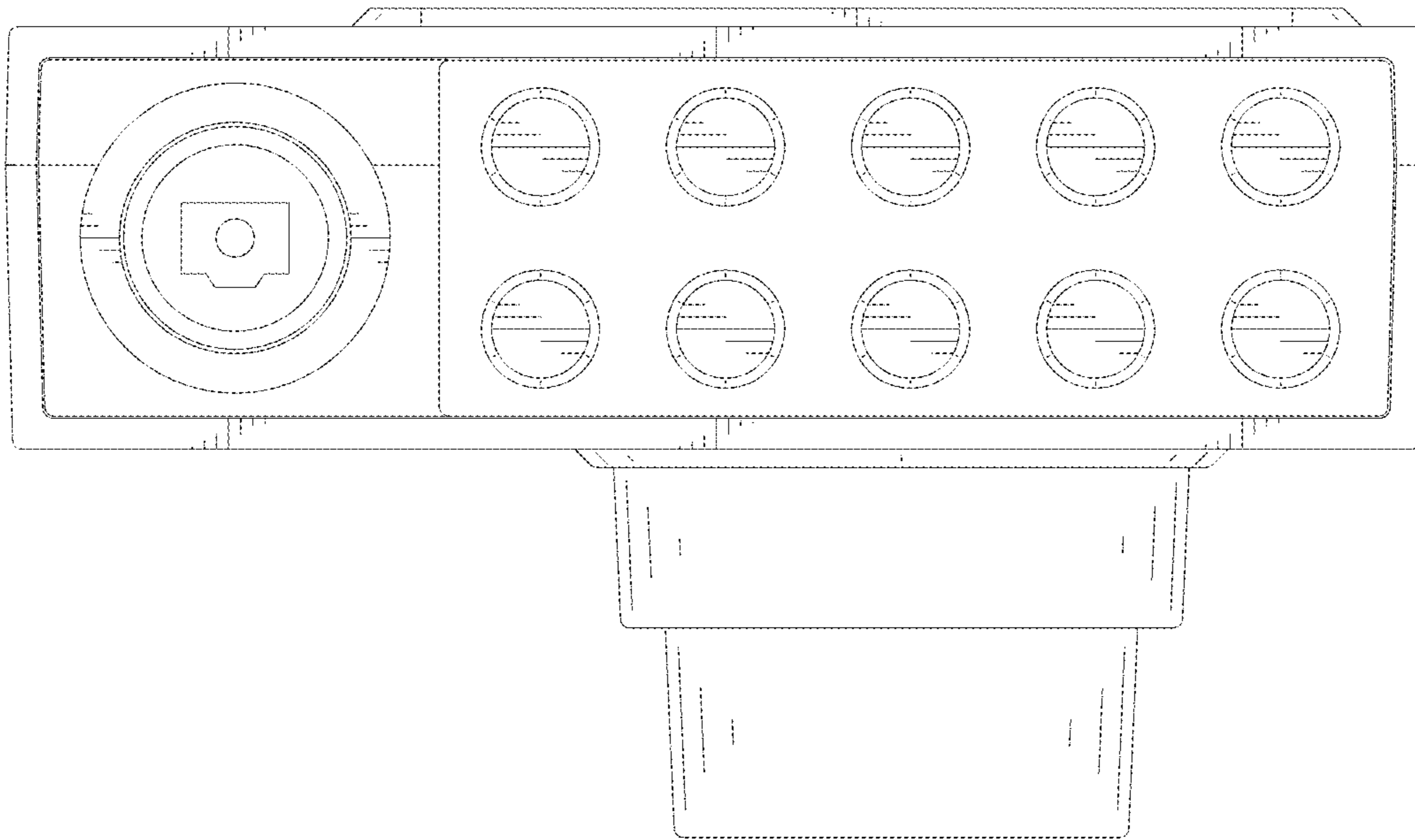


FIG.7

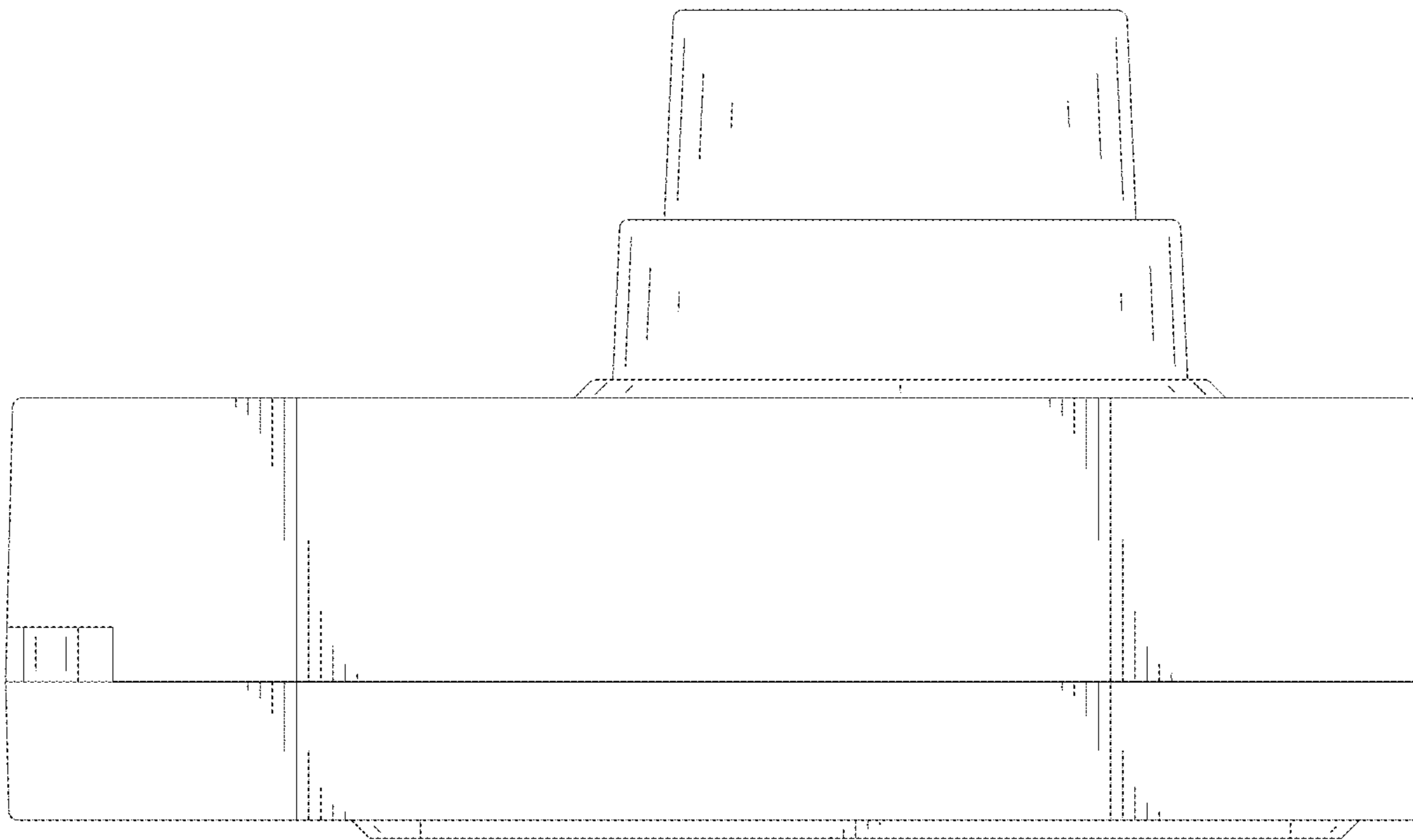


FIG.8