



US00D892900S

(12) **United States Design Patent**  
**Chang**

(10) **Patent No.:** **US D892,900 S**

(45) **Date of Patent:** **\*\* Aug. 11, 2020**

(54) **USB CAMERA**

(71) Applicant: **Nextedge Labs, Inc.**, Taipei (TW)

(72) Inventor: **Chao-Han Chang**, Taipei (TW)

(73) Assignee: **Nextedge Labs, Inc.**, Taipei (TW)

(\*\*) Term: **15 Years**

(21) Appl. No.: **29/693,730**

(22) Filed: **Jun. 5, 2019**

(51) **LOC (12) Cl.** ..... **16-01**

(52) **U.S. Cl.**

USPC ..... **D16/211**; D16/232; D14/423

(58) **Field of Classification Search**

USPC ..... D16/200, 202–204, 208, 211, 218, 219,  
D16/221, 225, 229, 232; D14/423, 429,  
D14/251; 348/373–376; 396/430, 431,  
396/535, 539–541

CPC ..... G03B 17/02; G03B 19/04; G03B 17/56;  
G03B 17/04; G03B 15/03; G03B 17/48;  
G03B 17/06; H04N 5/2251; H04N  
5/2252; H04N 5/2253; H04N 5/2254

See application file for complete search history.

(56) **References Cited**

**U.S. PATENT DOCUMENTS**

D651,635 S *	1/2012	Hong	.....	D14/423
D667,042 S *	9/2012	Shen	.....	D14/423
D677,707 S *	3/2013	Shen	.....	D16/232
D680,148 S *	4/2013	Unno	.....	D14/423
D685,017 S *	6/2013	Kato	.....	D16/235
D708,655 S *	7/2014	Wong	.....	D16/208
D709,502 S *	7/2014	Shen	.....	D14/423
D717,855 S *	11/2014	Hong	.....	D14/423

D753,209 S *	4/2016	Zetsu	.....	D16/208
D782,558 S *	3/2017	Tabuchi	.....	D16/214
D818,516 S *	5/2018	Yamakose	.....	D16/211
2013/0148017 A1 *	6/2013	Furusawa	.....	H04N 5/2252 348/376
2017/0176843 A1 *	6/2017	Yamakose	.....	H04N 5/2252

\* cited by examiner

*Primary Examiner* — Ramzi S Almatrahi

(74) *Attorney, Agent, or Firm* — Winston Hsu

(57) **CLAIM**

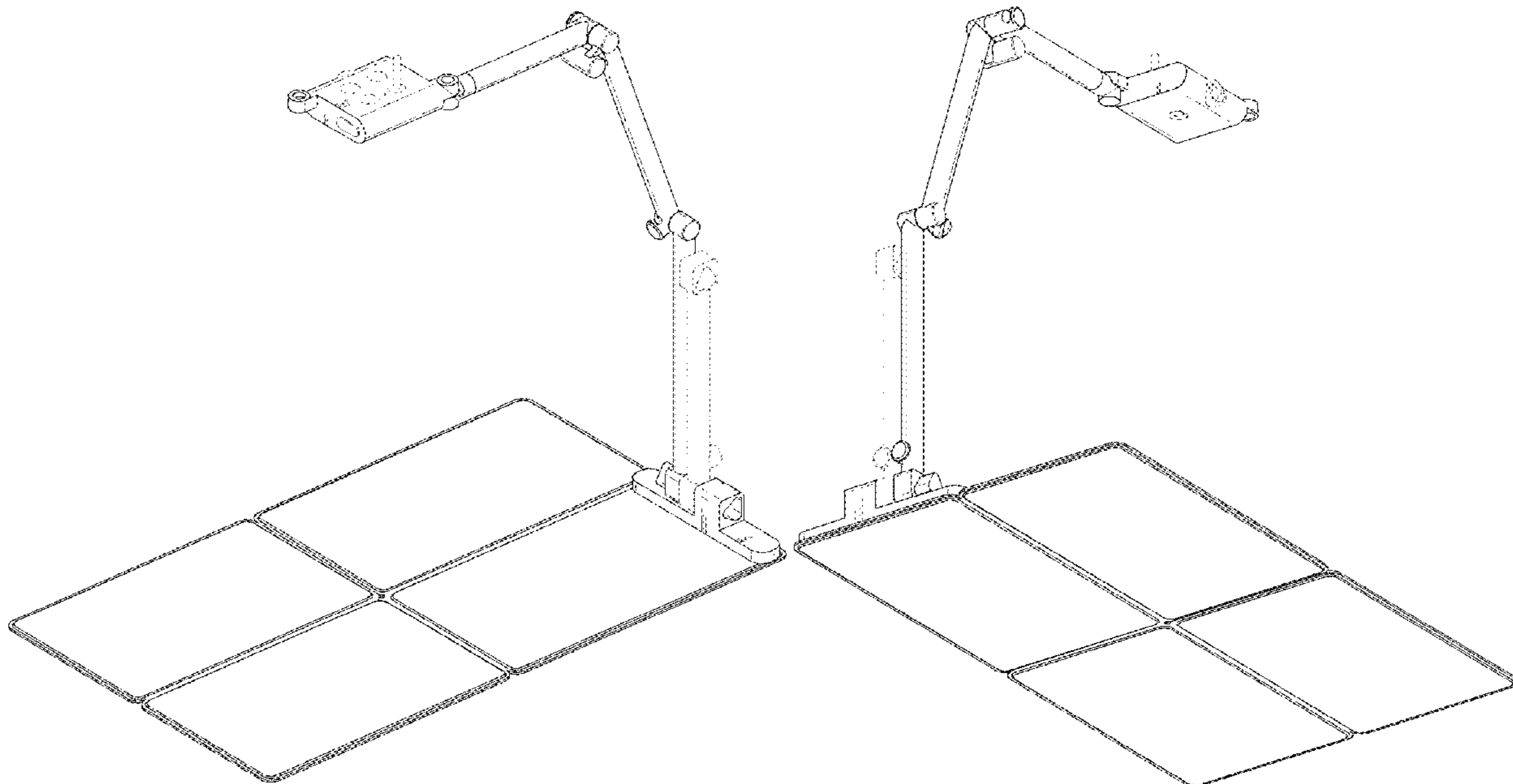
The ornamental design for a USB camera, as shown and described.

**DESCRIPTION**

FIG. 1 is a top, front and right side perspective view of a USB camera showing my new design;  
 FIG. 2 is a bottom, rear, and left side perspective view thereof;  
 FIG. 3 is a front elevation view thereof;  
 FIG. 4 is a rear elevation view thereof;  
 FIG. 5 is a left side elevation view thereof;  
 FIG. 6 is a right side elevation view thereof;  
 FIG. 7 is a top plan view thereof;  
 FIG. 8 is a top, front and right side perspective view thereof, showing the USB camera in a folded configuration;  
 FIG. 9 is a top plan view thereof;  
 FIG. 10 is a top, rear and left side perspective view thereof, showing the USB camera in an alternate position; and,  
 FIG. 11 is a top, front and right side perspective view of the USB camera shown in condition of use with the support pole in an extended position.

The broken lines depict portions of the USB camera in which the design is embodied that form no part of the claimed design.

**1 Claim, 11 Drawing Sheets**



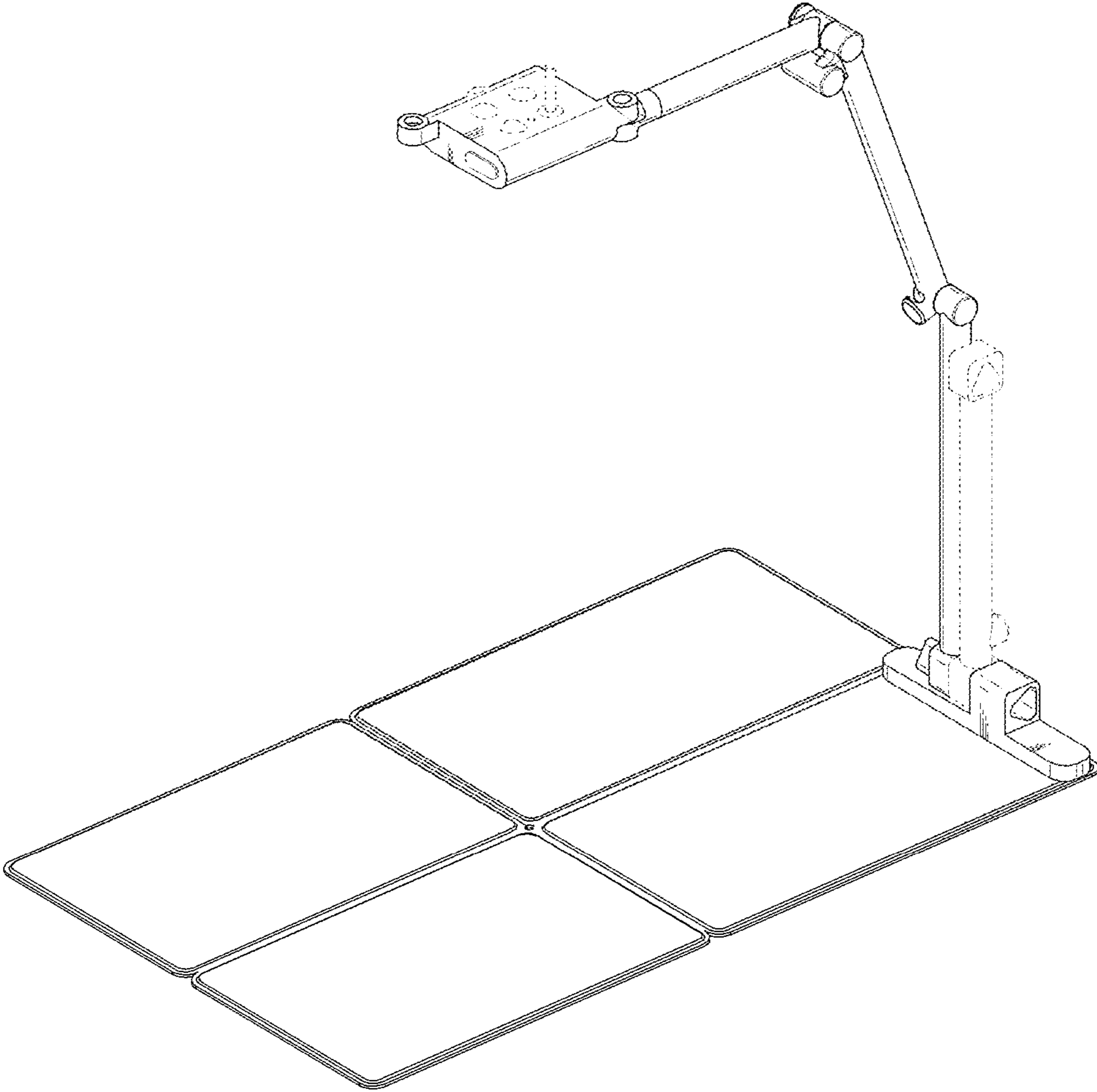


FIG. 1

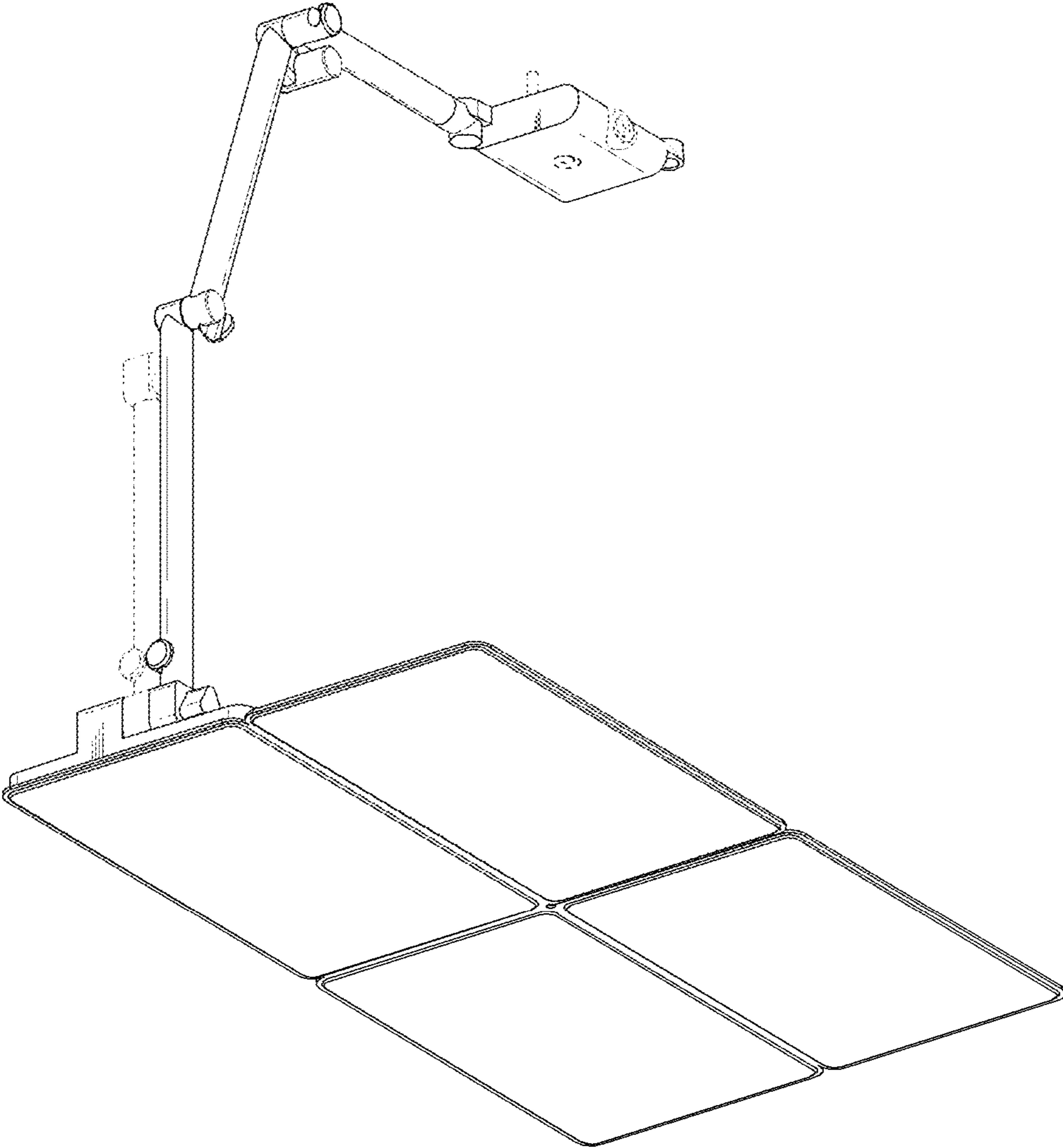


FIG. 2

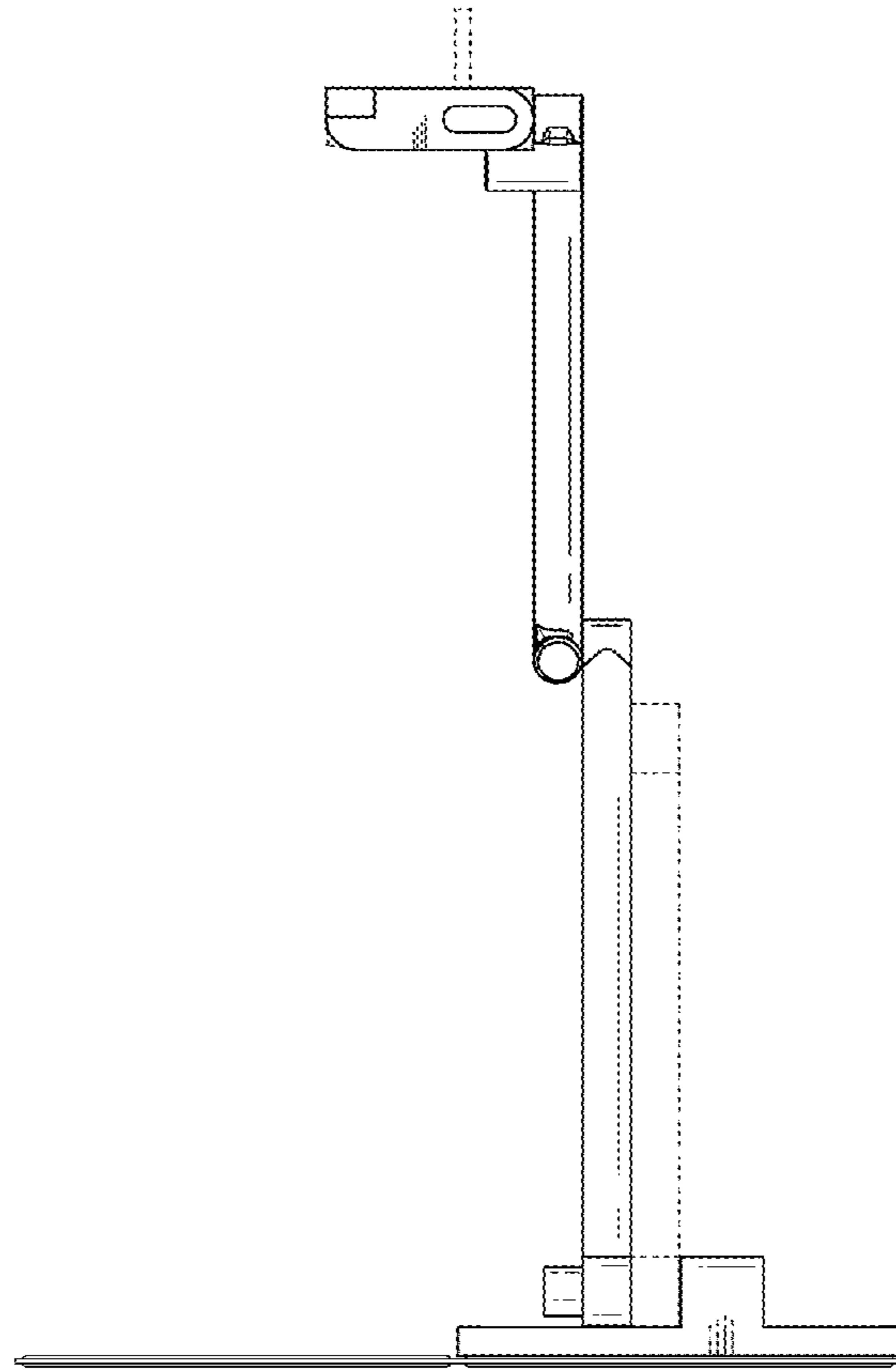


FIG. 3

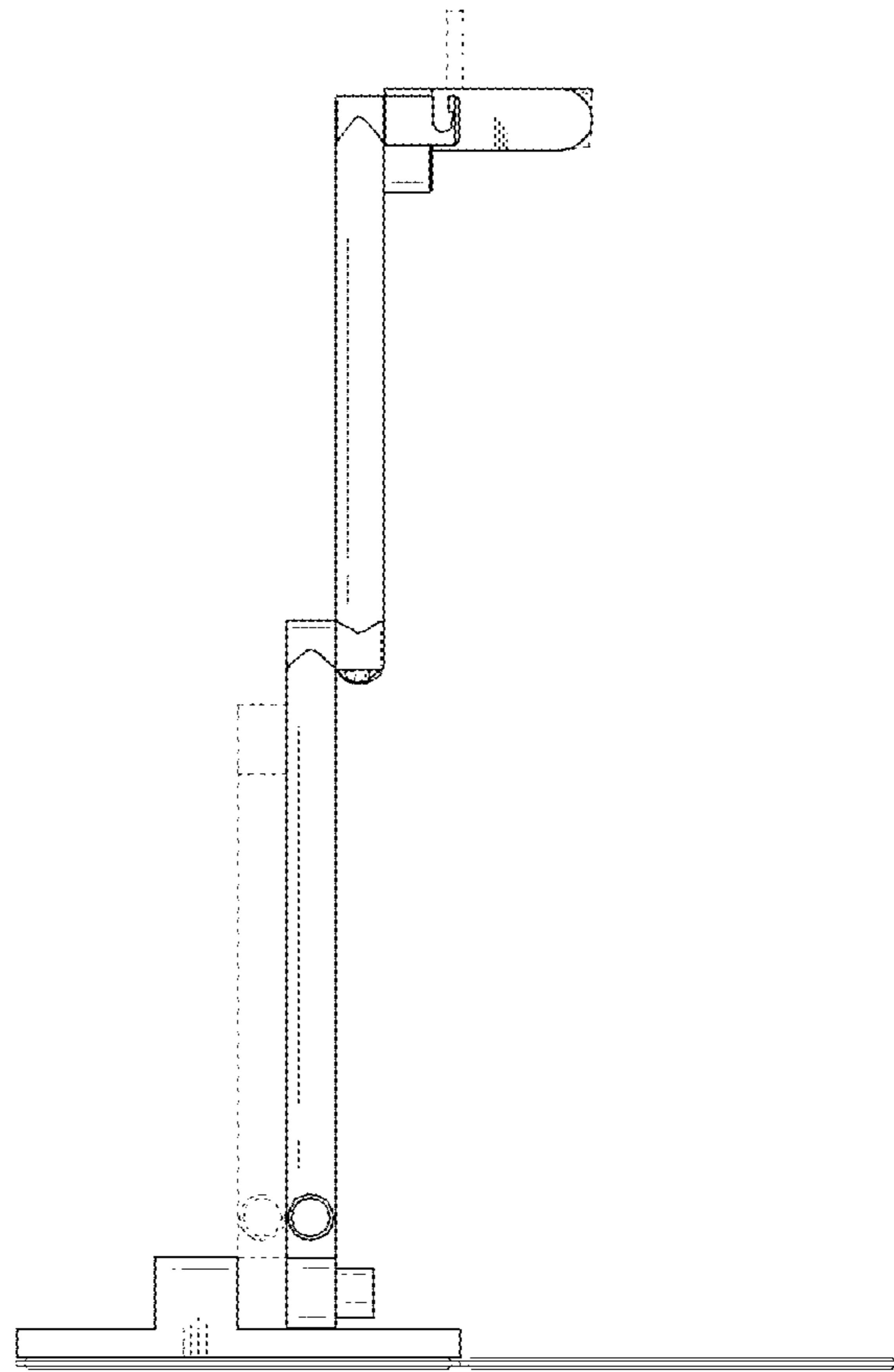


FIG. 4

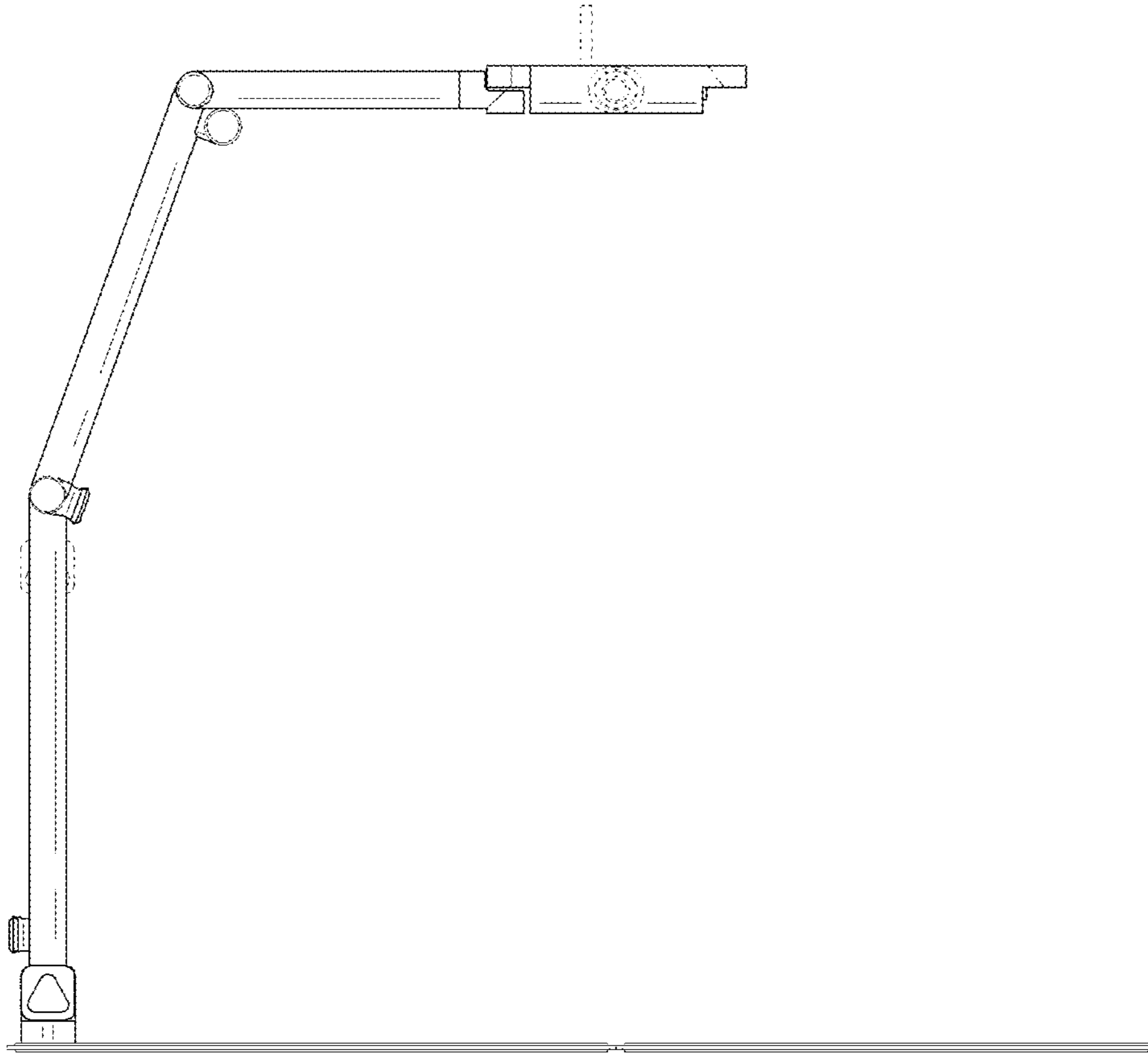


FIG. 5

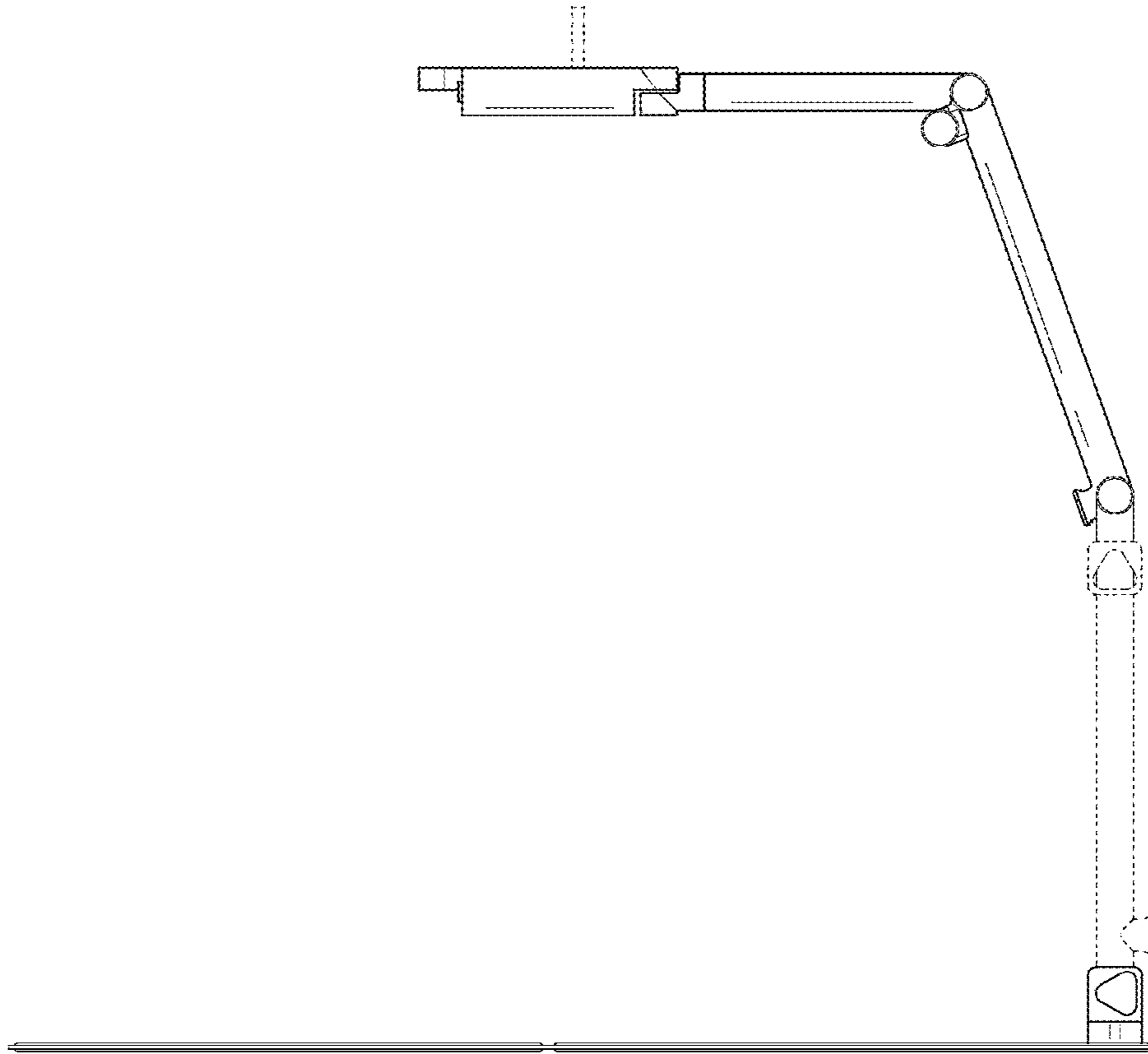


FIG. 6

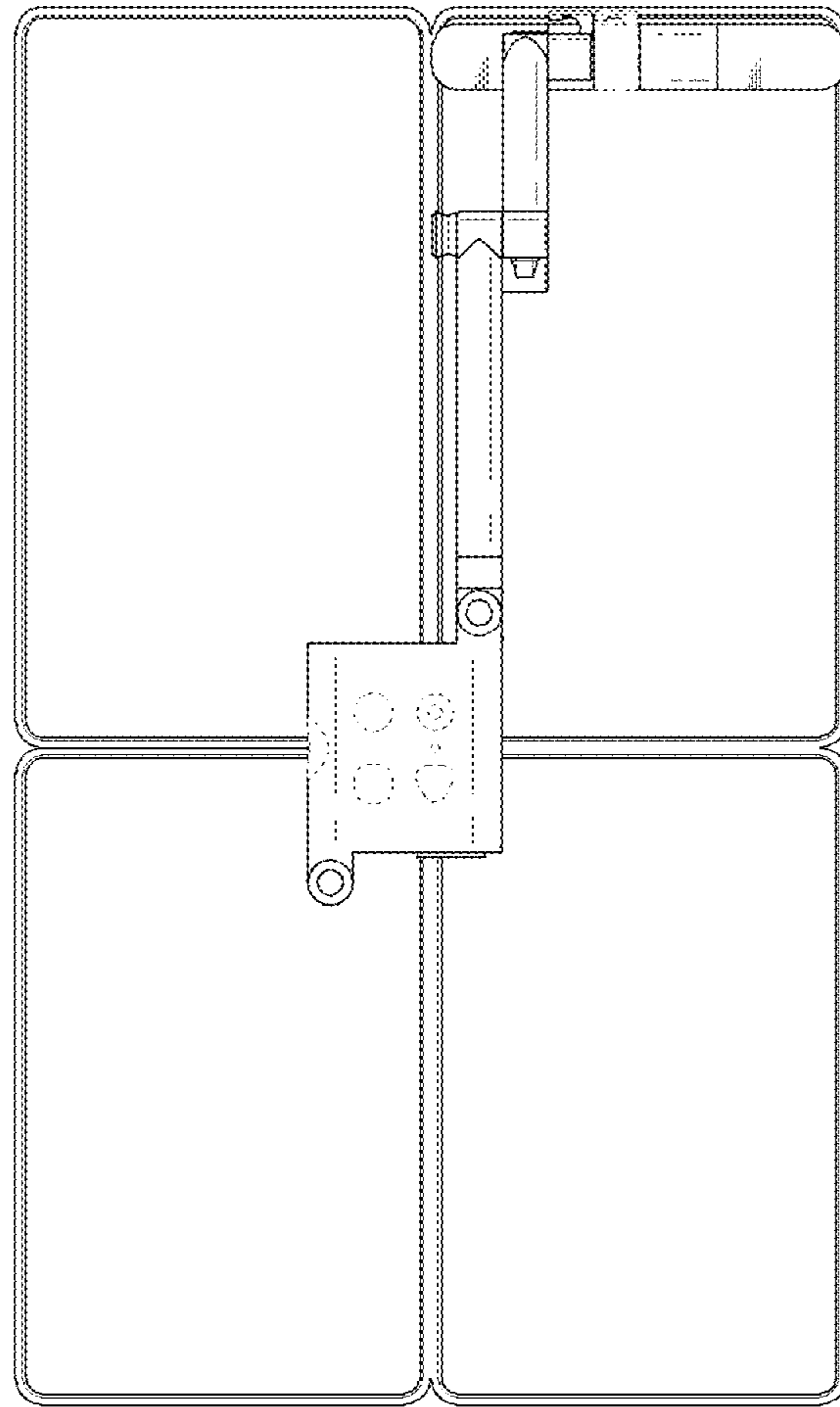


FIG. 7



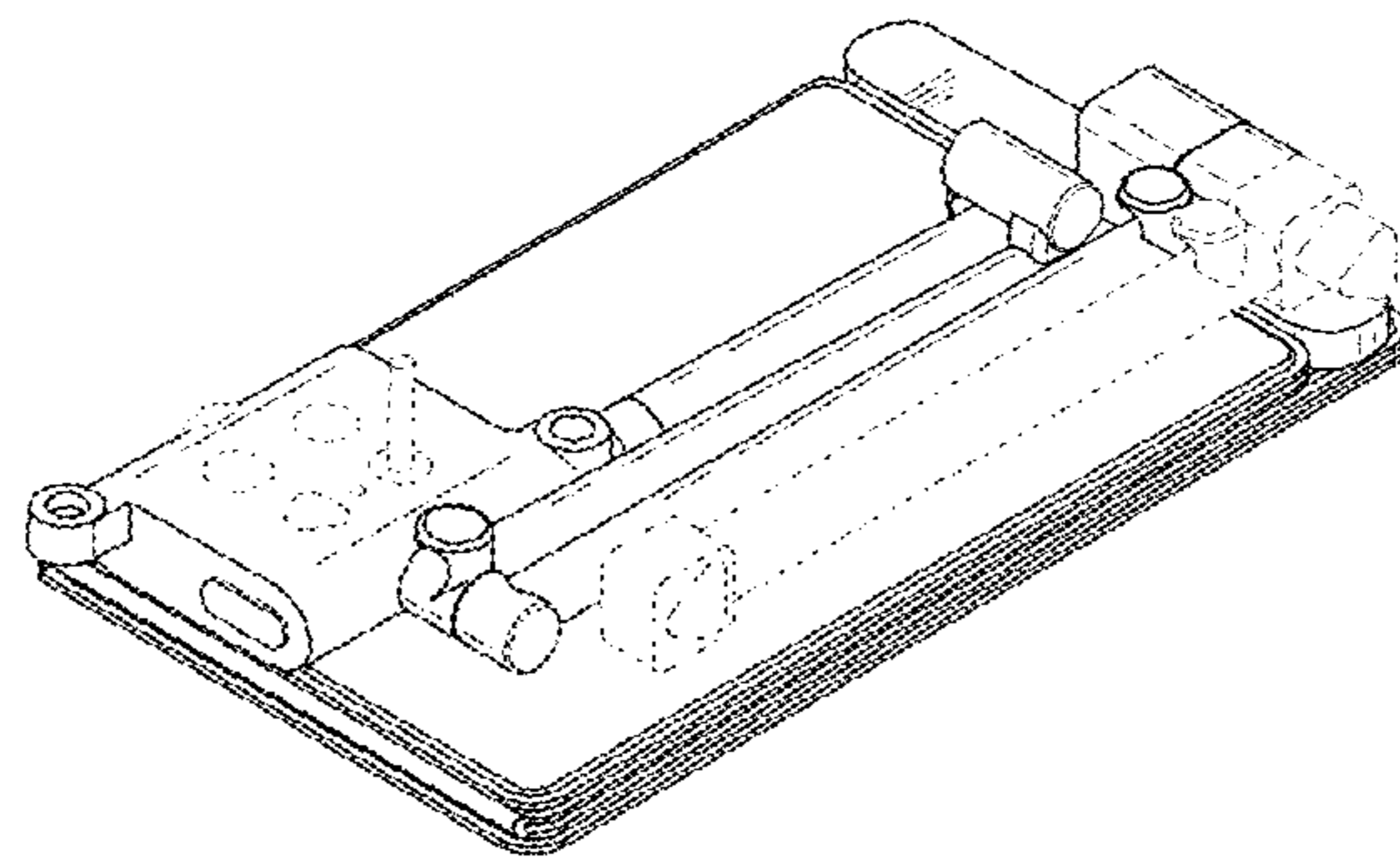


FIG. 8

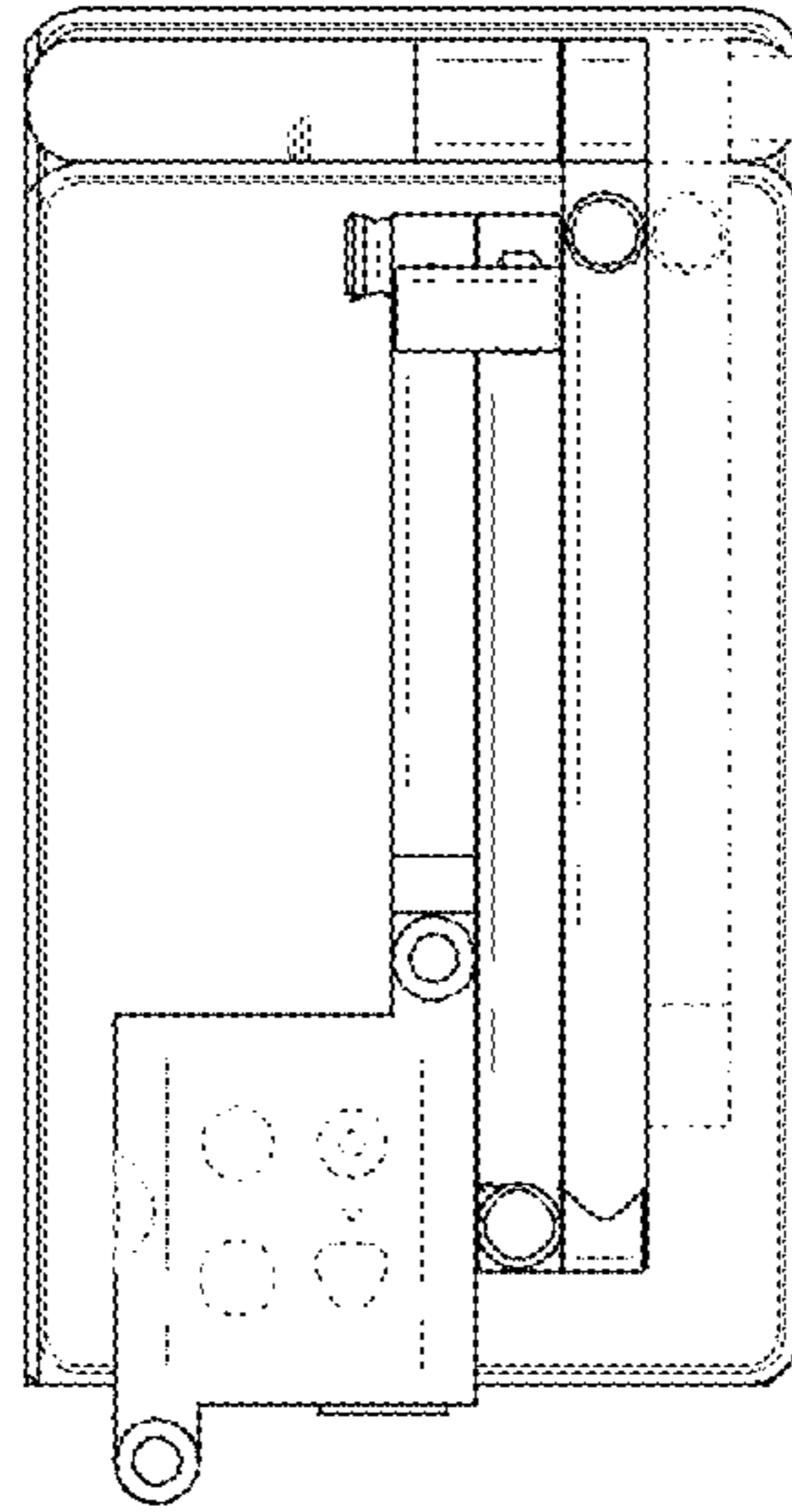


FIG. 9

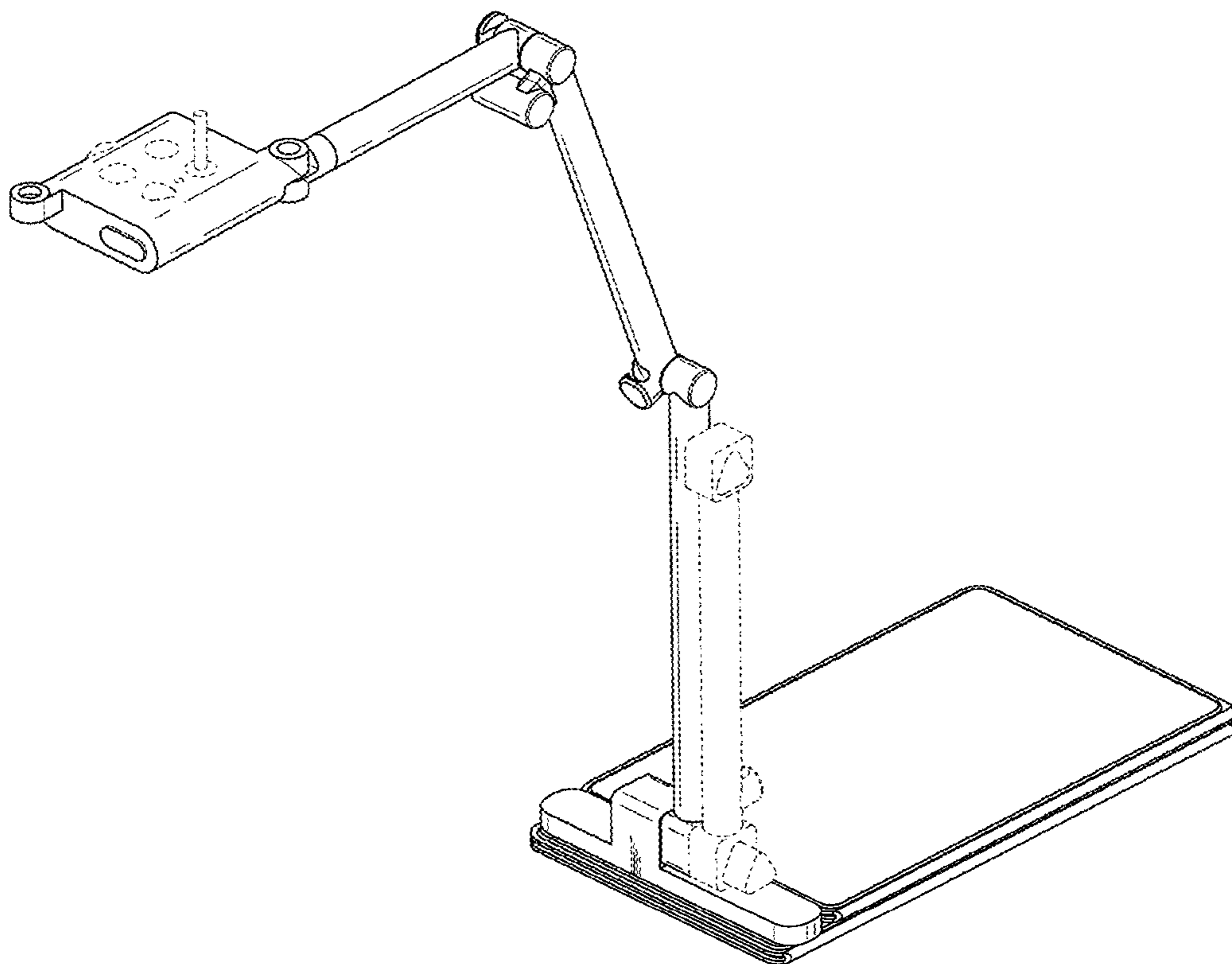


FIG. 10

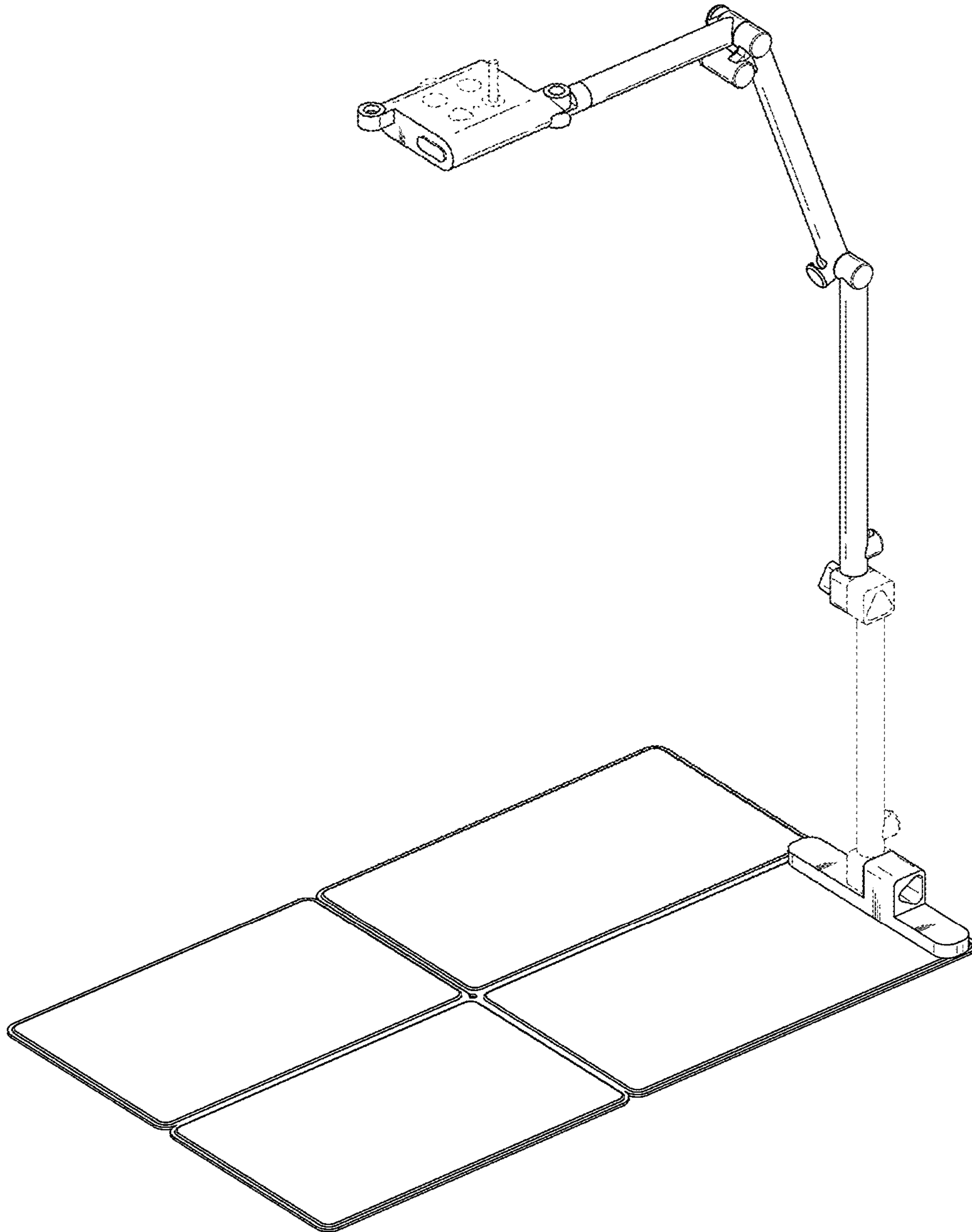


FIG. 11