



US00D892898S

(12) **United States Design Patent** (10) **Patent No.:** **US D892,898 S**
Jacob et al. (45) **Date of Patent:** **** Aug. 11, 2020**

(54) **CAMERA**

(71) Applicant: **GOOGLE LLC**, Mountain View, CA (US)

(72) Inventors: **Rochus Emmanuel Jacob**, San Francisco, CA (US); **Samuel Ward Kortz**, San Francisco, CA (US); **Jason Evans Goulden**, Los Gatos, CA (US); **Adam Scott Kilgore**, San Rafael, CA (US); **Rafat E. Mehdi**, Palo Alto, CA (US); **Mi Zhou**, San Jose, CA (US); **Benjamin Zachary Niewood**, San Francisco, CA (US); **Amber Luttmann Volmering**, Newark, CA (US); **Minjung Kim**, Sunnyvale, CA (US)

(73) Assignee: **GOOGLE LLC**, Mountain View, CA (US)

(**) Term: **15 Years**

(21) Appl. No.: **29/724,889**

(22) Filed: **Feb. 20, 2020**

Related U.S. Application Data

(63) Continuation of application No. 29/605,503, filed on May 26, 2017, now Pat. No. Des. 879,859.

(30) **Foreign Application Priority Data**

Jan. 4, 2017 (EM) 003569169-0001

(51) **LOC (12) Cl.** **16-01**

(52) **U.S. Cl.**
USPC **D16/203**

(58) **Field of Classification Search**
USPC D16/200, 202–205, 208, 211, 214, 218, D16/219, 221, 242; D14/447; 348/143,
(Continued)

(56) **References Cited**

U.S. PATENT DOCUMENTS

D701,258 S 3/2014 Huang
D702,275 S 4/2014 Ying

(Continued)

OTHER PUBLICATIONS

Google Inc., Notification of the Registration of the Community Designs, Registration No. 004020634-0001/004020634-0014, Jul. 6, 2017, 5 pgs.

Primary Examiner — Ramzi S Almatrahi
(74) *Attorney, Agent, or Firm* — Morgan, Lewis & Bockius LLP

(57) **CLAIM**

The ornamental design for a camera, as shown and described.

DESCRIPTION

FIG. 1 is a front top perspective view of a camera showing our new design;

FIG. 2 is a front bottom perspective view thereof;

FIG. 3 is a rear top perspective view thereof;

FIG. 4 is a top plan view thereof;

FIG. 5 is a bottom plan view thereof;

FIG. 6 is a right-side elevational view thereof;

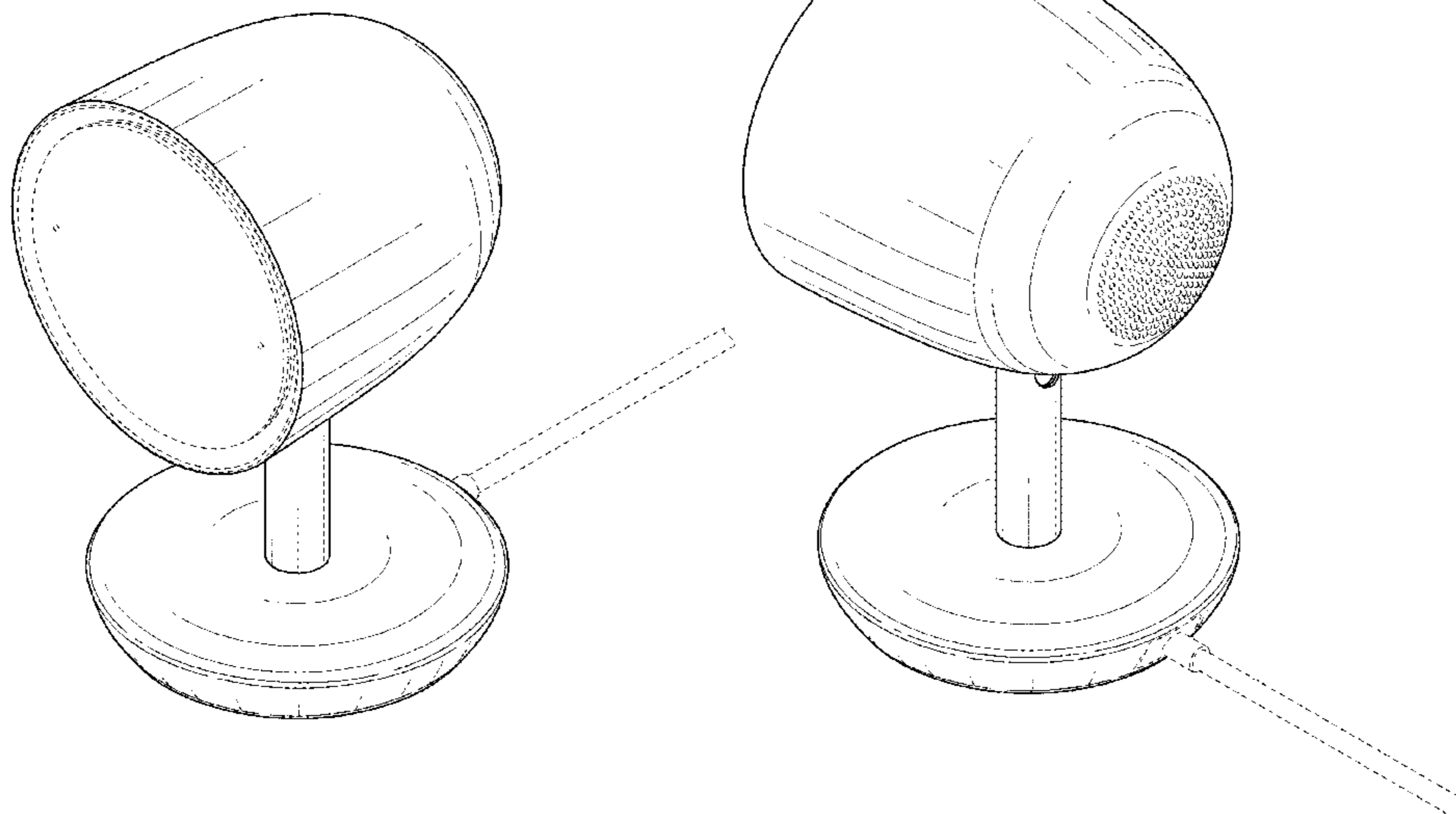
FIG. 7 is a left-side elevational view thereof;

FIG. 8 is a rear elevational view thereof; and,

FIG. 9 is a front elevational view thereof.

The broken lines depict portions of the camera in which the design is embodied that form no part of the claimed design. The broken lines shown which are immediately adjacent to the shaded areas represent the bounds of the claimed design and form no part of the claimed design.

1 Claim, 9 Drawing Sheets



US D892,898 S

Page 2

(58) **Field of Classification Search**

USPC 348/148, 151, 373-376; 396/419, 427,
396/535, 539-541
CPC G03B 17/02; G03B 19/04; G03B 17/56;
G03B 17/04; G03B 15/03; H04N 5/2251;
H04N 5/2252; H04N 5/2253; H04N
5/2254; H04N 7/181; H04N 7/183; H04N
7/18; G08B 13/1963; G08B 13/19619;
G08B 13/19632; F16M 11/04; F16M
13/00

See application file for complete search history.

(56)

References Cited

U.S. PATENT DOCUMENTS

D722,635 S 2/2015 Richardson et al.
D742,573 S 11/2015 Kern et al.
D750,684 S 3/2016 Katori

D751,620 S 3/2016 Hsu
D753,753 S 4/2016 Moon et al.
D754,233 S * 4/2016 Du D16/211
D762,131 S 7/2016 Hays
D762,132 S 7/2016 Hays
D768,223 S 10/2016 Wu
D784,434 S 4/2017 Benedetti
D785,067 S 4/2017 Ramones
D785,693 S 5/2017 Kim
D798,359 S 9/2017 Huang
D813,289 S * 3/2018 Laffon de Mazieres D16/202
D824,446 S * 7/2018 Ravat D16/203
D828,425 S * 9/2018 Piekarski D16/202
D828,426 S * 9/2018 Li D16/202
D838,304 S * 1/2019 Mittleman D16/203
D843,431 S * 3/2019 Jacob D16/203
D854,070 S * 7/2019 Tani D16/203
D855,681 S * 8/2019 Jacob F16M 11/22
D863,399 S * 10/2019 Li D16/219
D16/203

* cited by examiner

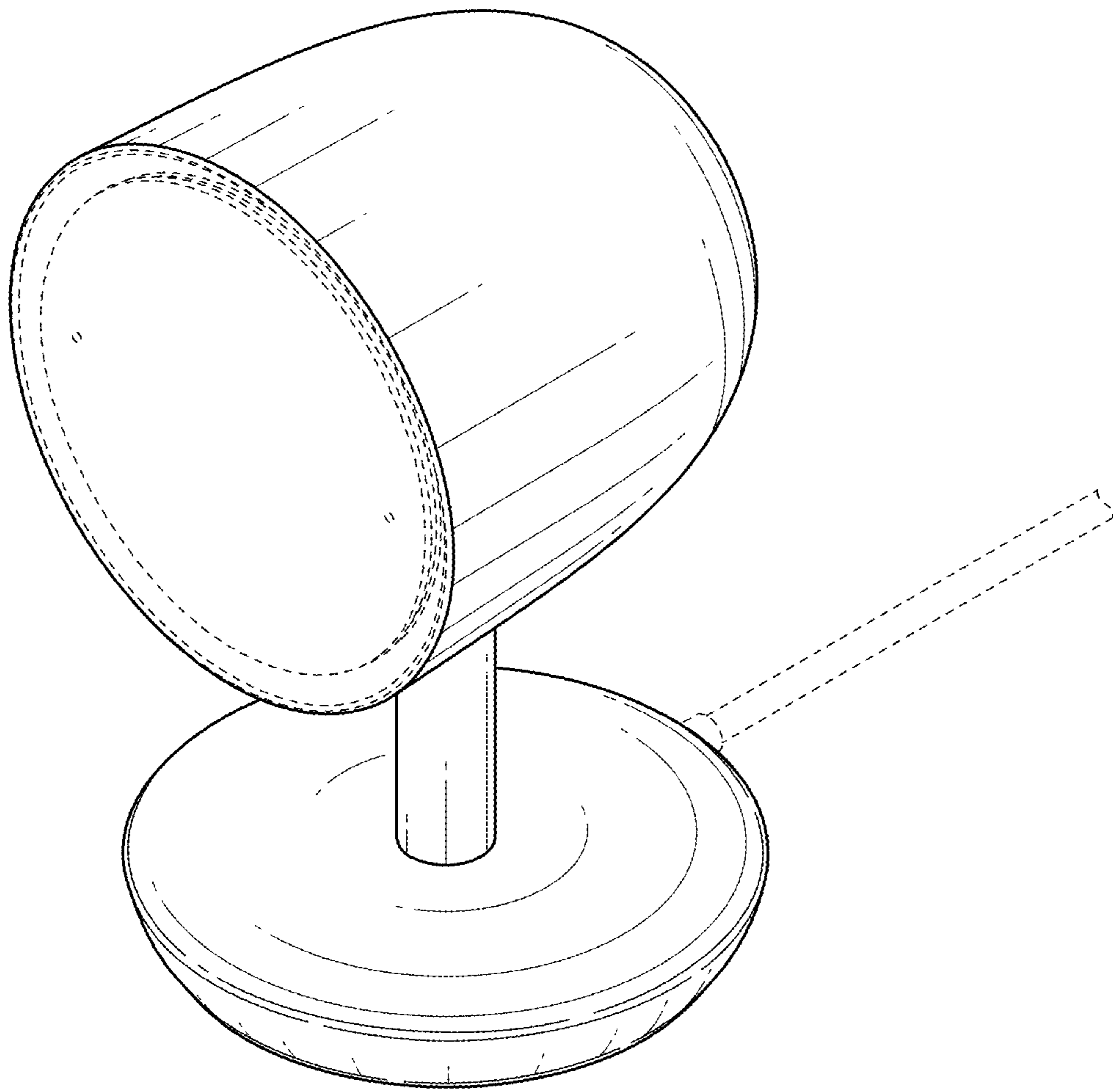


FIG. 1

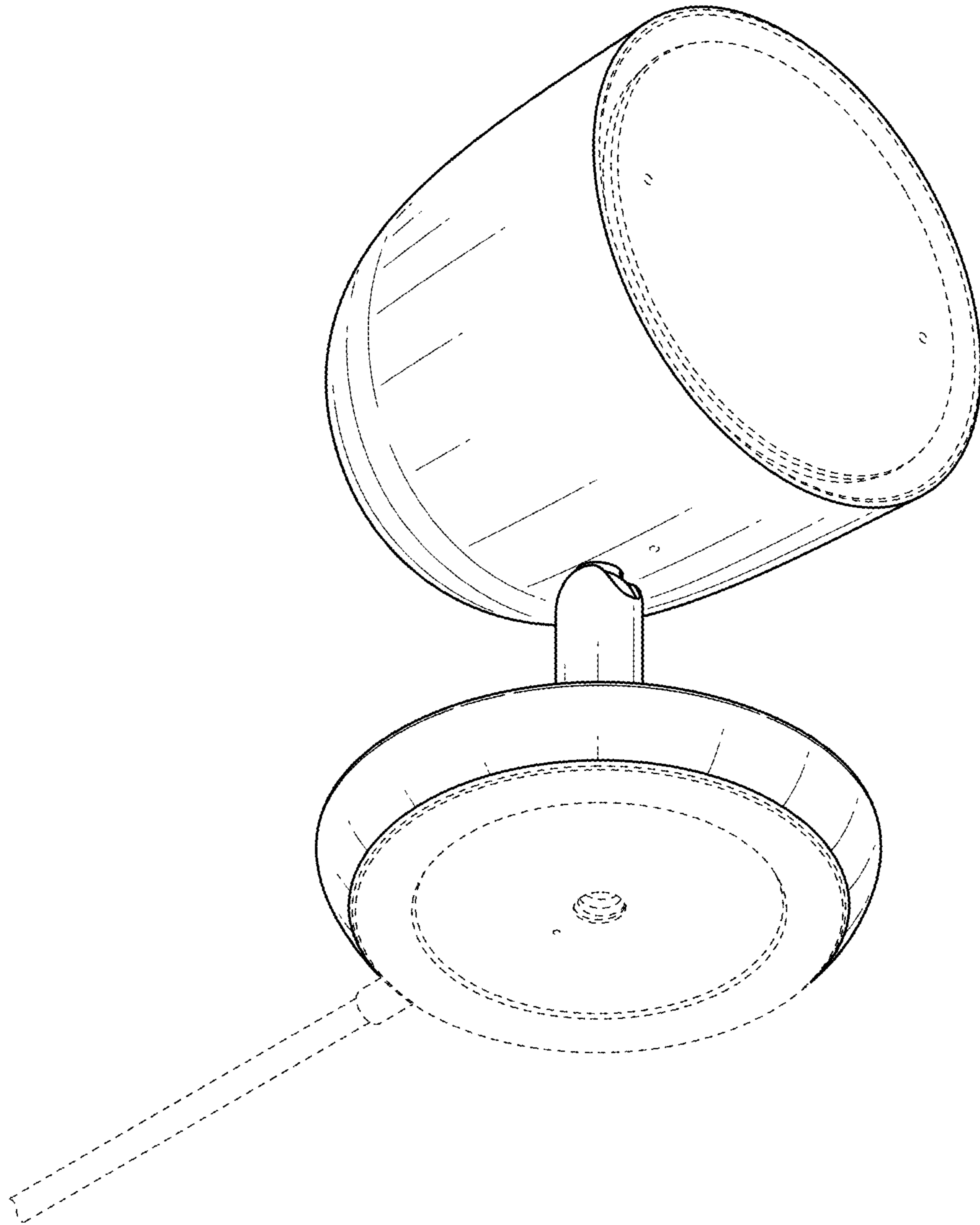


FIG. 2

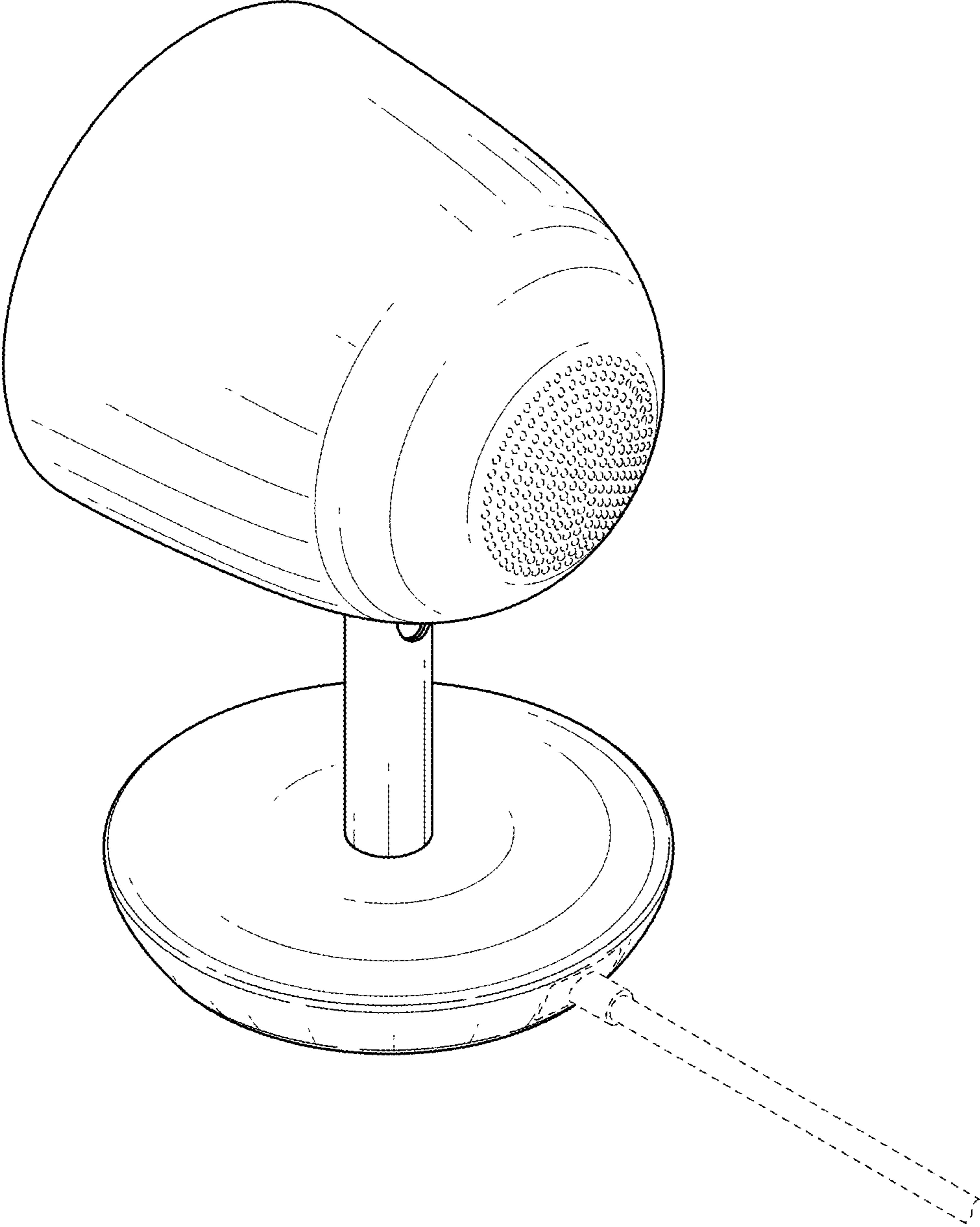


FIG. 3

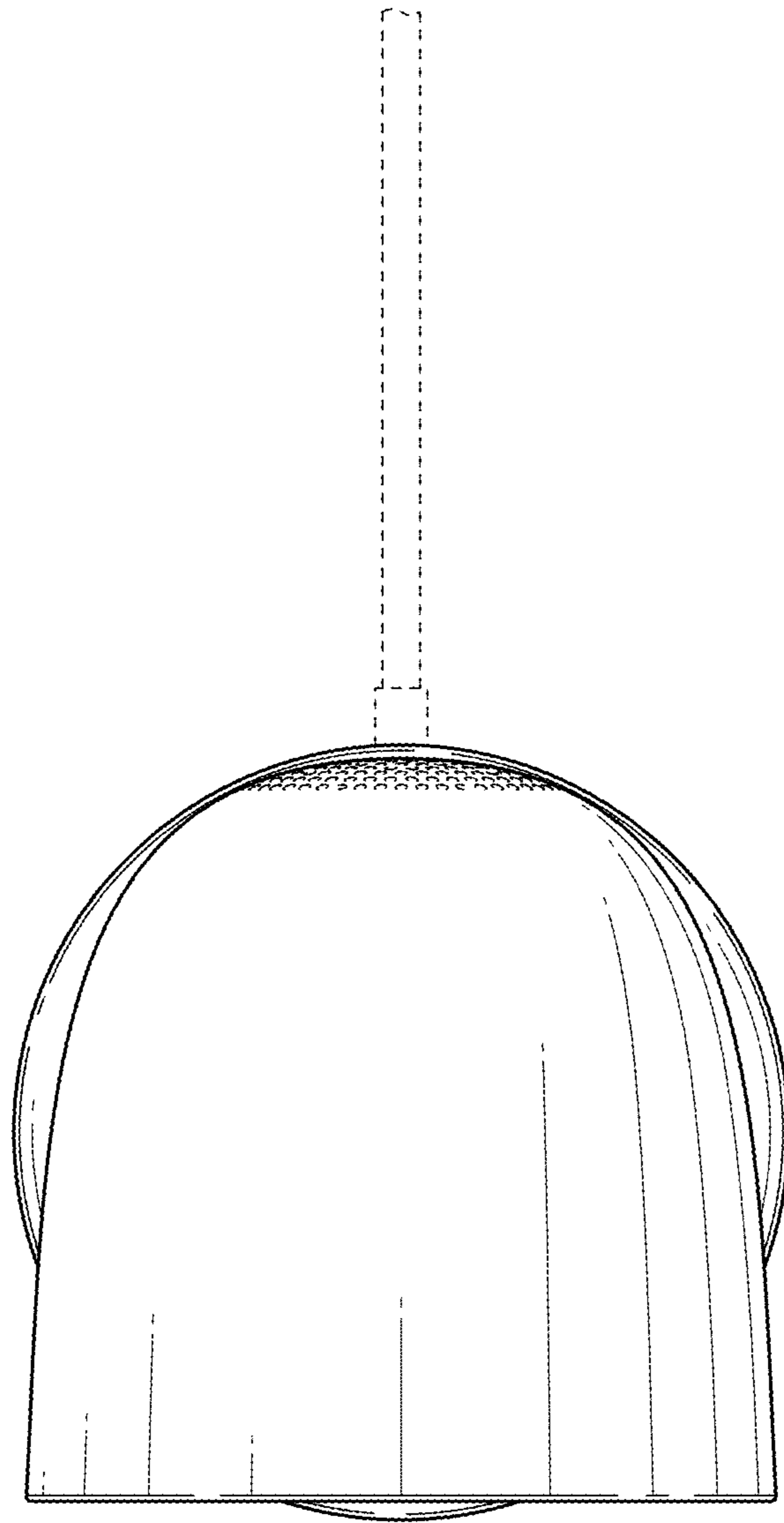


FIG. 4

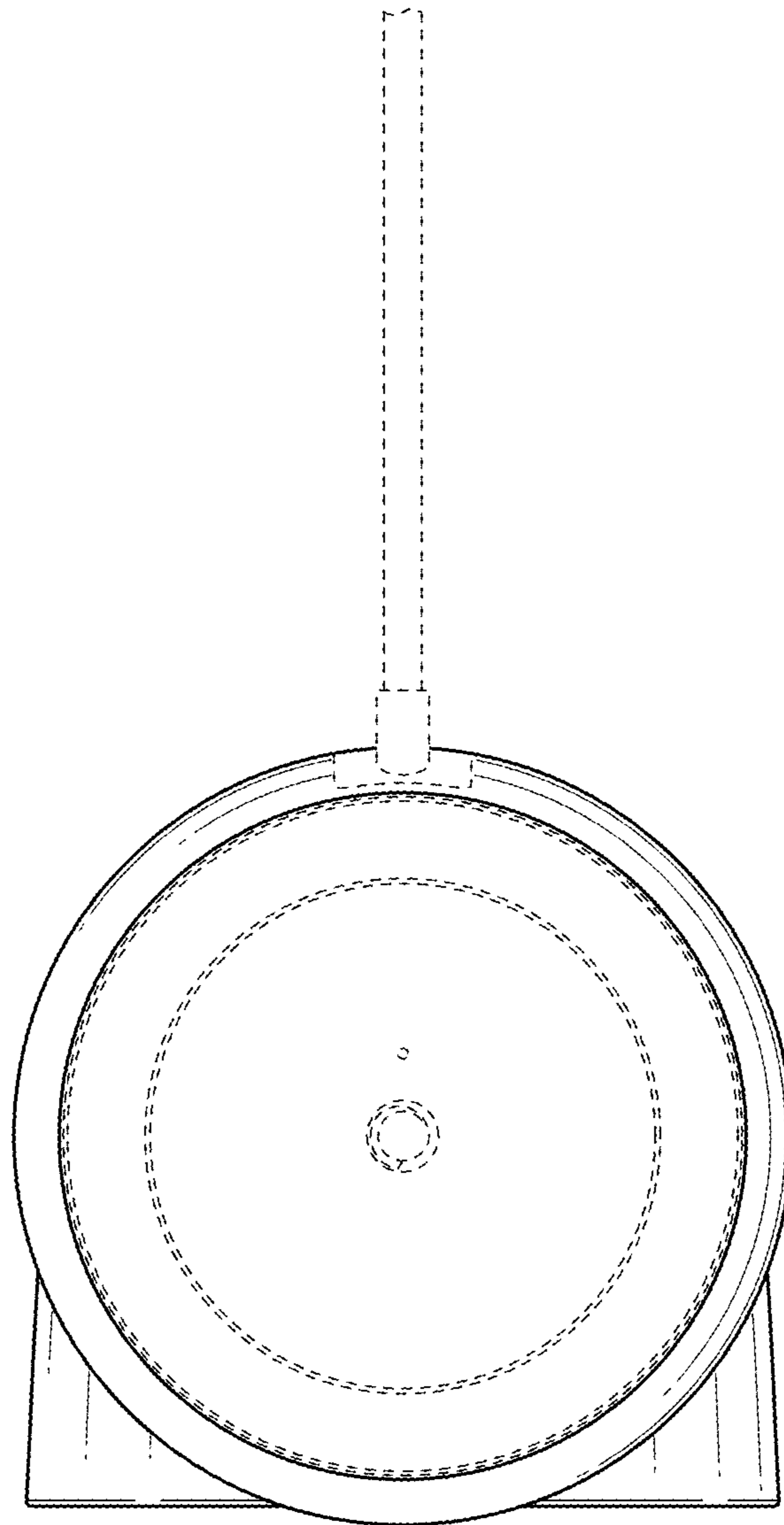


FIG. 5

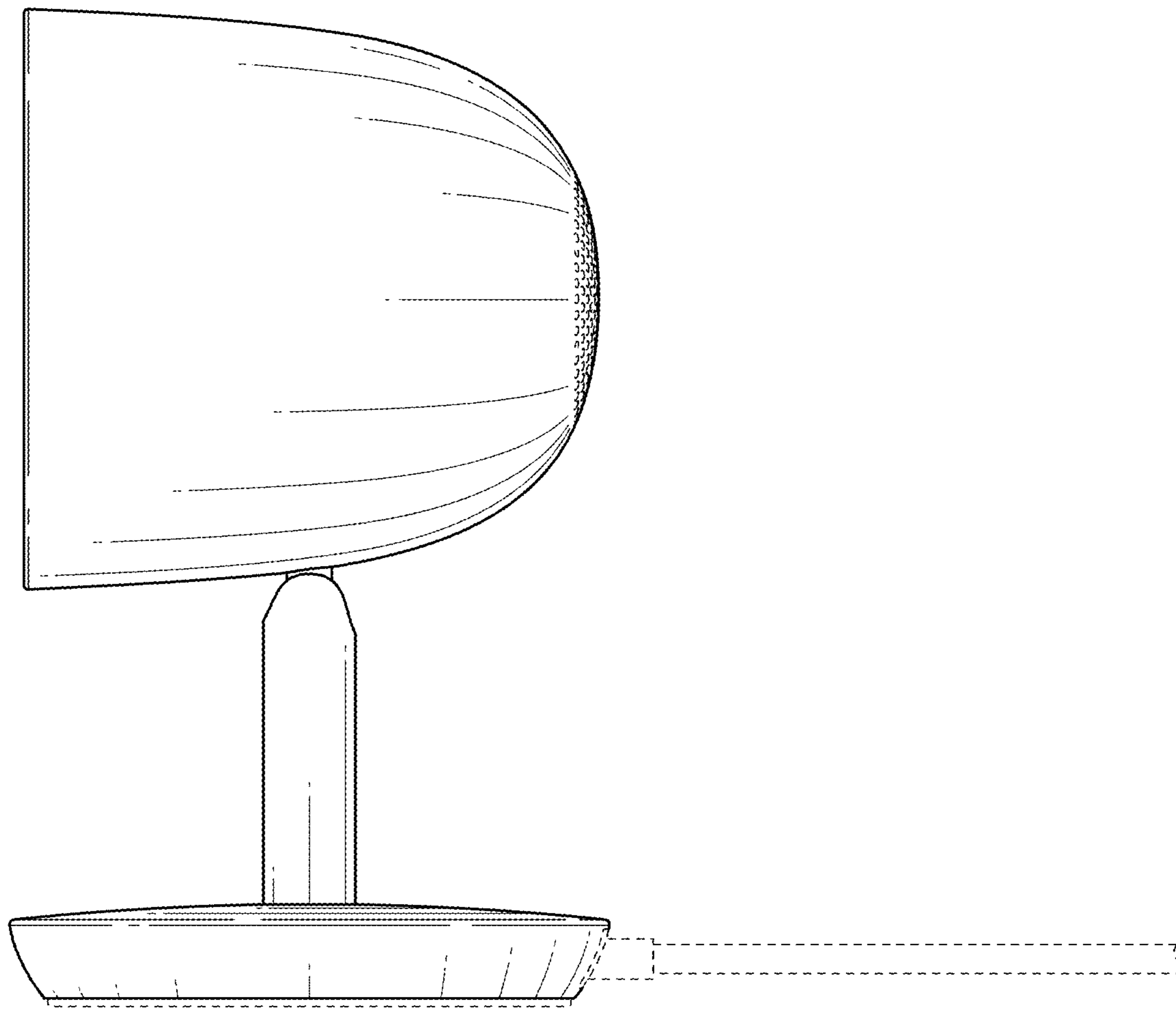


FIG. 6

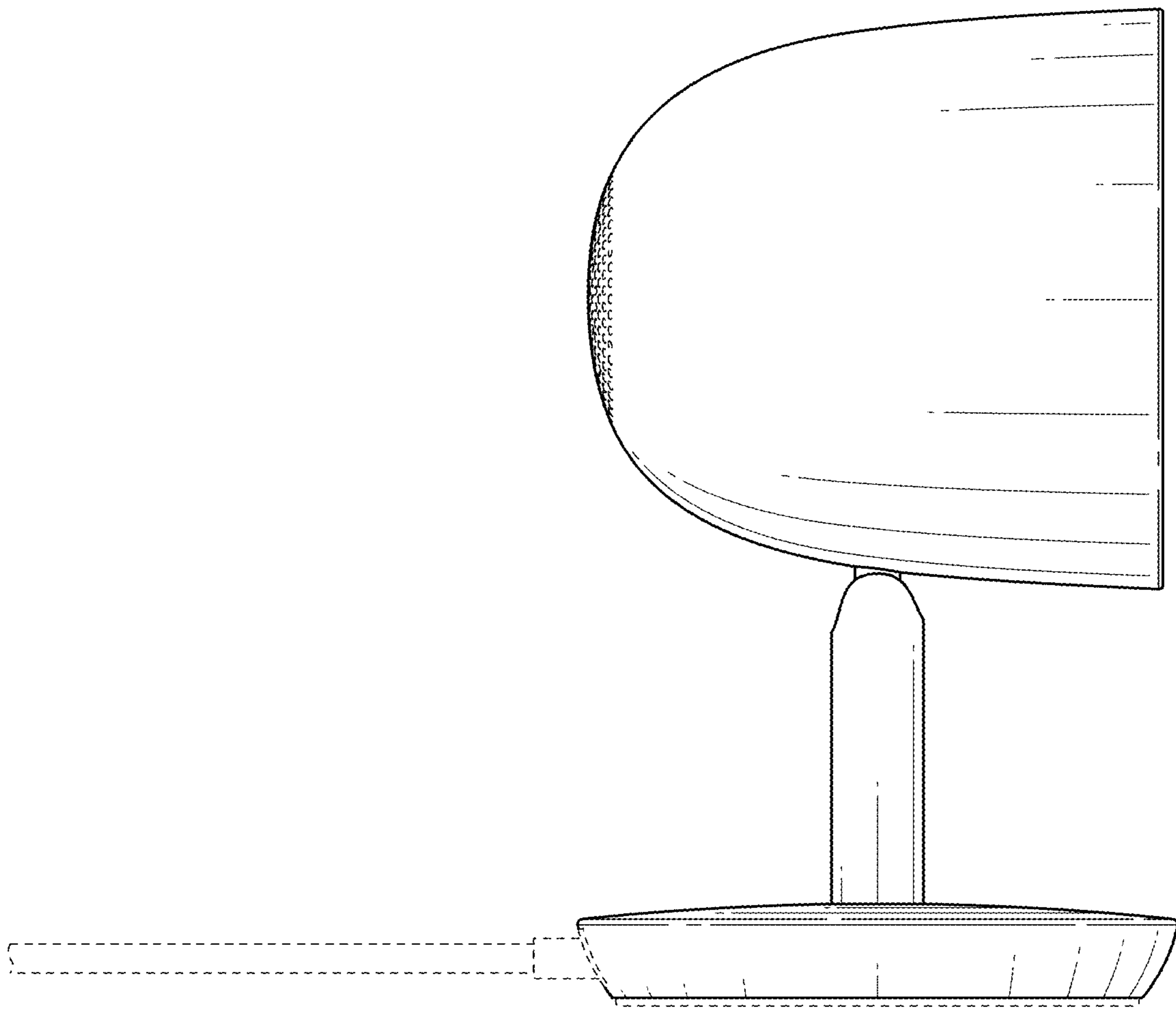


FIG. 7

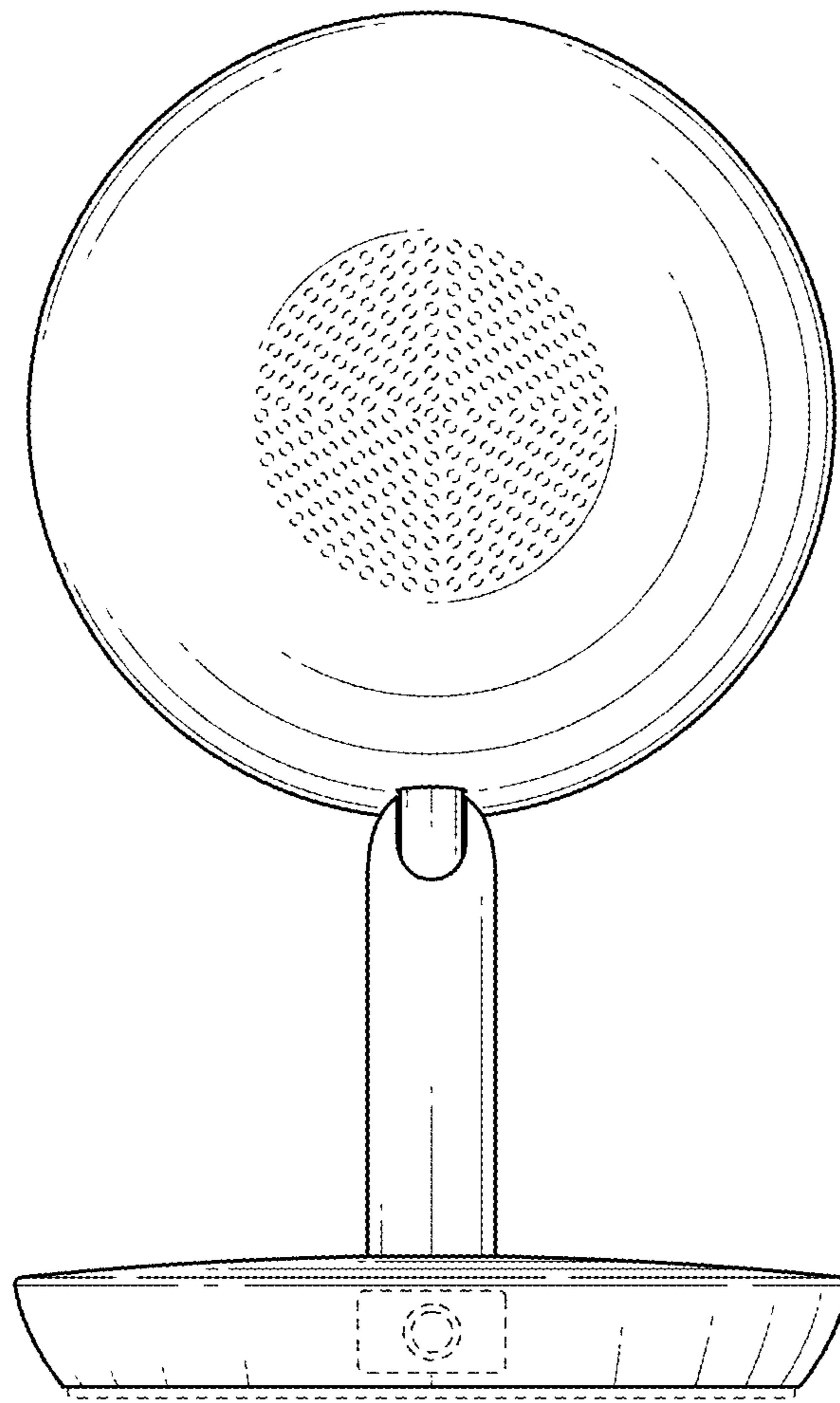


FIG. 8

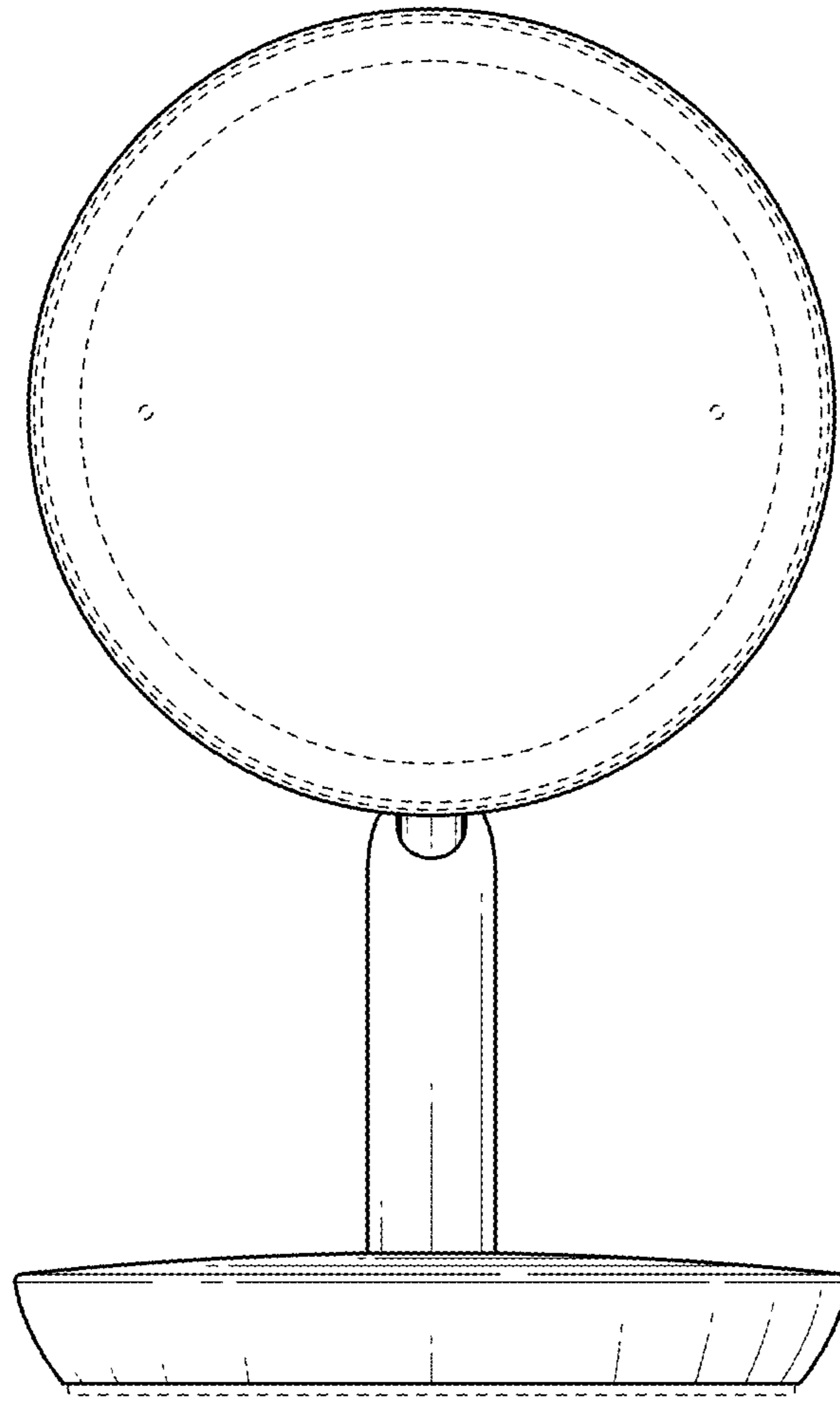


FIG. 9