



US00D892897S

(12) **United States Design Patent**
Gartrell et al.

(10) **Patent No.:** **US D892,897 S**

(45) **Date of Patent:** **** Aug. 11, 2020**

(54) **BABY MONITORING DEVICE**

(71) Applicant: **Verily Life Sciences LLC**, South San Francisco, CA (US)

(72) Inventors: **Andrew Julian Gartrell**, Walnut Creek, CA (US); **Pontus Wahlgren**, Oakland, CA (US); **Gaurav Bradoo**, San Francisco, CA (US); **Vincent Borel**, Los Altos, CA (US)

(73) Assignee: **VERILY LIFE SCIENCES LLC**, South San Francisco, CA (US)

(**) Term: **15 Years**

(21) Appl. No.: **29/661,981**

(22) Filed: **Aug. 31, 2018**

(51) **LOC (12) Cl.** **16-01**

(52) **U.S. Cl.**
USPC **D16/203**

(58) **Field of Classification Search**
USPC D16/200, 202–205, 208, 211, 214, 218, D16/219, 221, 242; D14/447; 348/14.01–14.06, 143, 148, 373–376; 396/419, 427, 535, 539–541
CPC G03B 17/02; G03B 19/04; G03B 17/56; G03B 17/04; G03B 15/03; H04N 5/2251; H04N 5/2252; H04N 5/2253; H04N 5/2254; H04N 2007/145; H04N 7/141; H04N 7/142; H04N 7/147; H04N 7/148; H04N 7/15; H04N 7/152
See application file for complete search history.

(56) **References Cited**

U.S. PATENT DOCUMENTS

D721,754 S * 1/2015 Chen D16/202
D729,296 S * 5/2015 Shelton D16/202
D733,781 S * 7/2015 Chen D16/202
D740,871 S * 10/2015 Moon D16/203
D748,709 S * 2/2016 Jeong D16/202

D754,233 S * 4/2016 Du D16/211
D761,340 S * 7/2016 Pacurariu D16/202
D784,434 S * 4/2017 Benedetti D16/202
9,631,767 B2 * 4/2017 Kilgore F16M 11/2064

(Continued)

OTHER PUBLICATIONS

Chinese Application No. 201930080624.2 , “Office Action”, dated Oct. 11, 2019, 1 page.

Primary Examiner — Ramzi S Almatrahi

(74) *Attorney, Agent, or Firm* — Kilpatrick Townsend & Stockton LLP

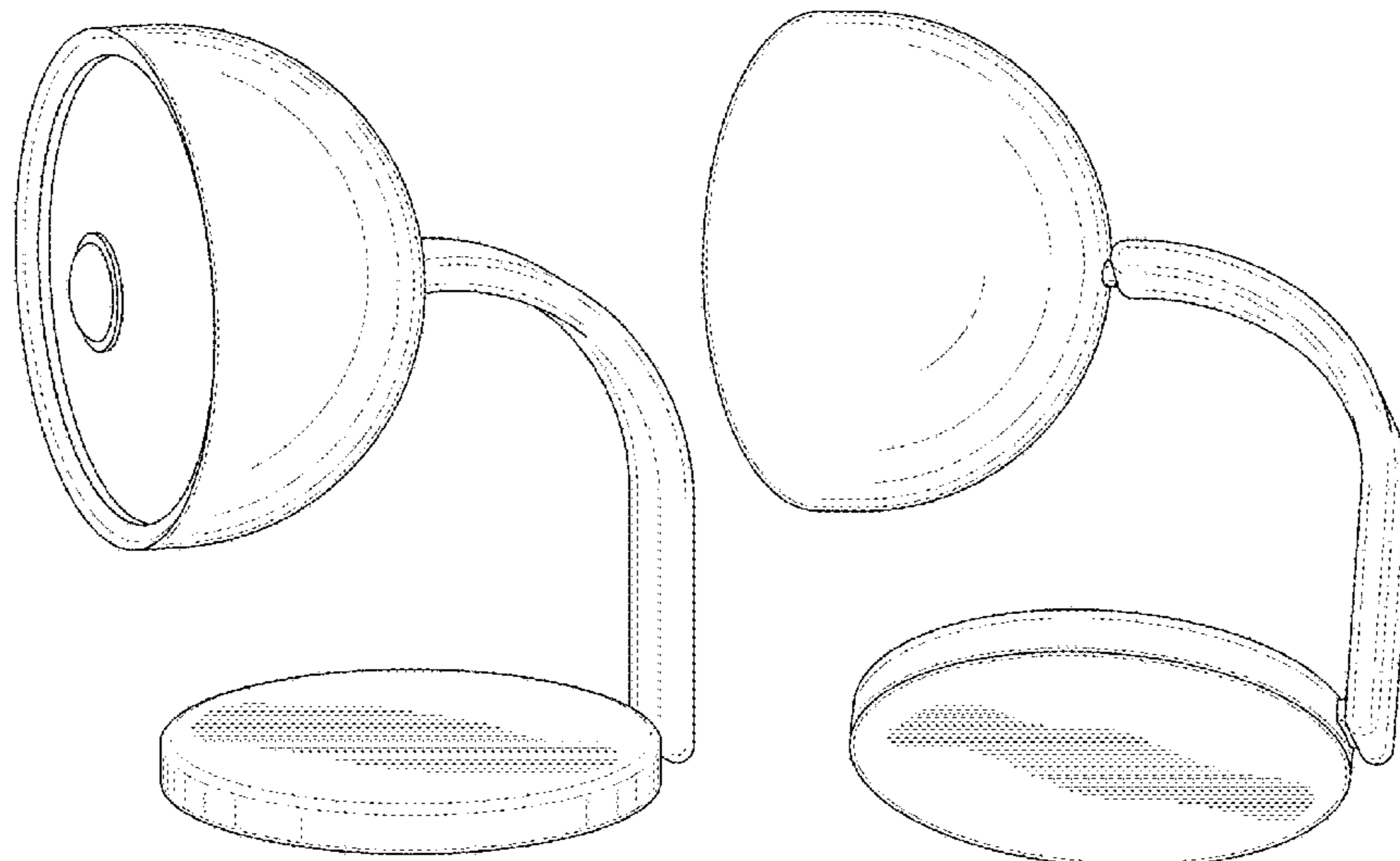
(57) **CLAIM**

We claim the ornamental design for a baby monitoring device, as shown.

DESCRIPTION

FIG. 1 is a top, front and right side perspective view of a baby monitoring device showing our new design;
FIG. 2 is a bottom, rear and right side perspective view thereof;
FIG. 3 is a top, front and right side perspective view thereof, shown in an alternate position;
FIG. 4 is a front elevation view of the baby monitoring device shown in FIGS. 1 and 2;
FIG. 5 is a rear elevation view thereof;
FIG. 6 is a top plan view thereof;
FIG. 7 is a bottom plan view thereof;
FIG. 8 is a right side elevation view thereof;
FIG. 9 is a left side elevation view thereof;
FIG. 10 is a top, front and left side perspective view thereof, shown in an alternate position;
FIG. 11 is a front elevation view thereof;
FIG. 12 is a rear elevation view thereof;
FIG. 13 is a top plan view thereof;
FIG. 14 is a bottom plan view thereof;
FIG. 15 is a right side elevation view thereof; and,
FIG. 16 is a left side elevation view thereof.

1 Claim, 13 Drawing Sheets



(56)

References Cited

U.S. PATENT DOCUMENTS

D785,693 S *	5/2017	Kim	D16/202
D795,938 S *	8/2017	Ravat	D16/202
D798,360 S *	9/2017	Jeong	D16/203

* cited by examiner

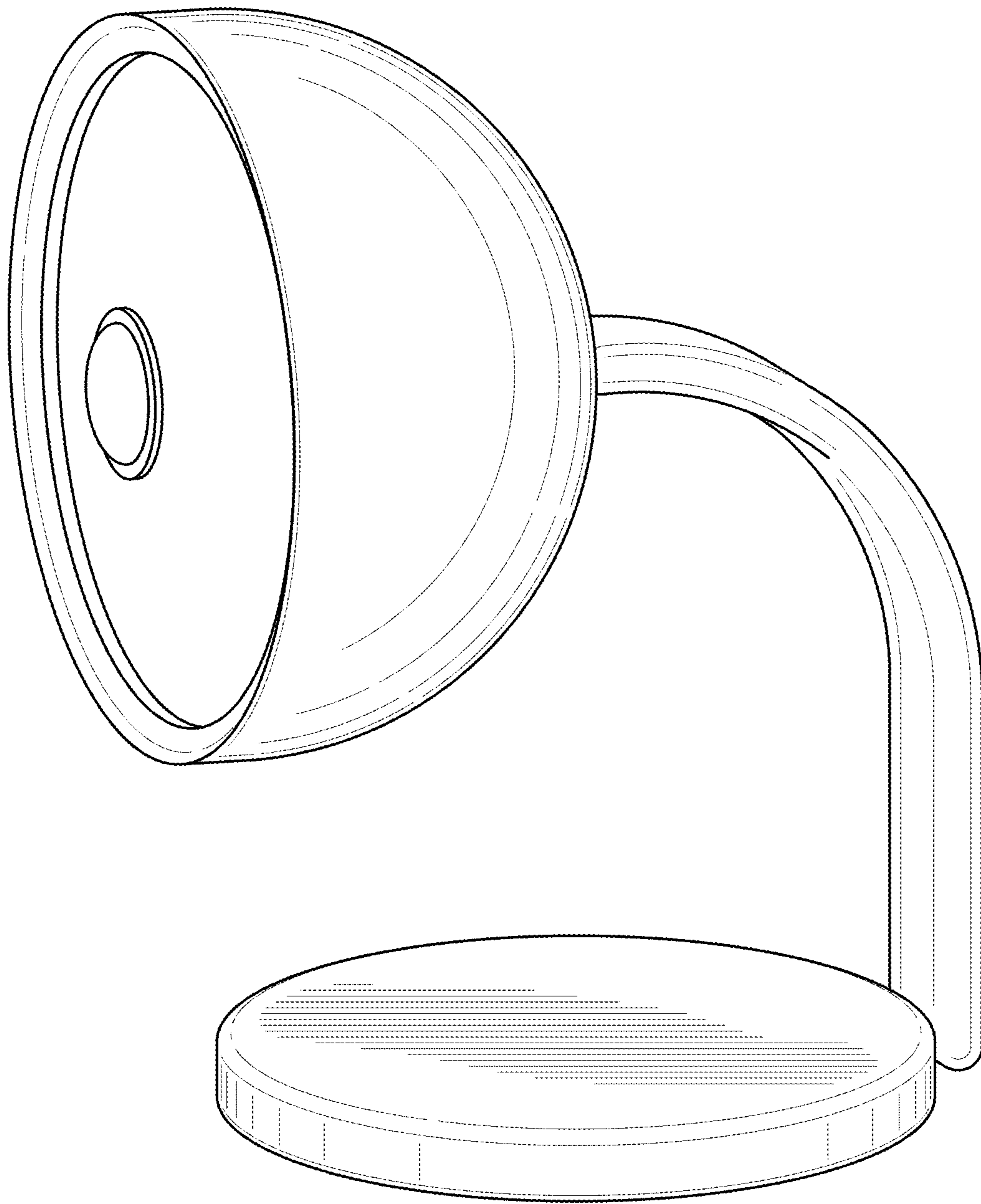


FIG. 1

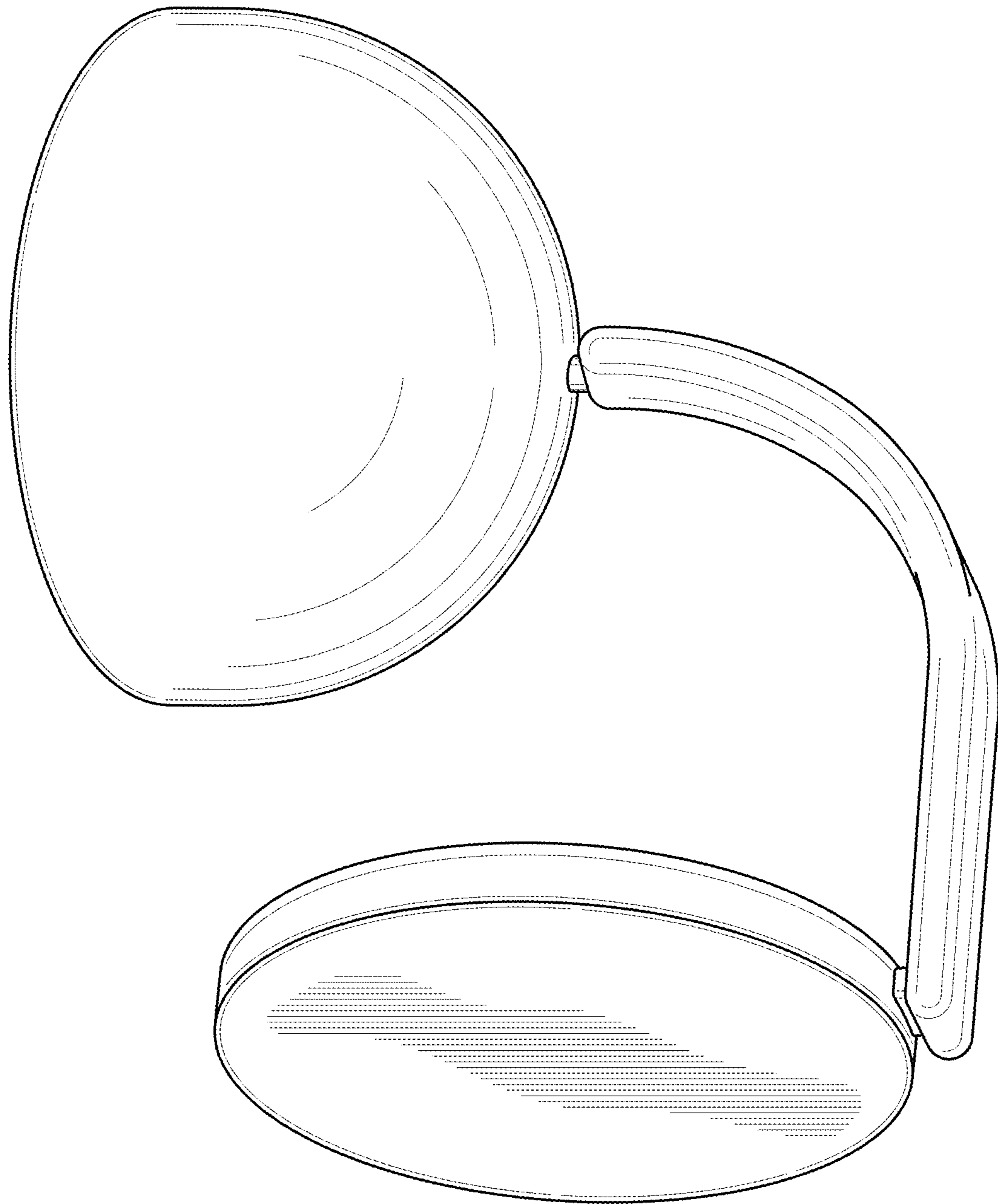


FIG. 2

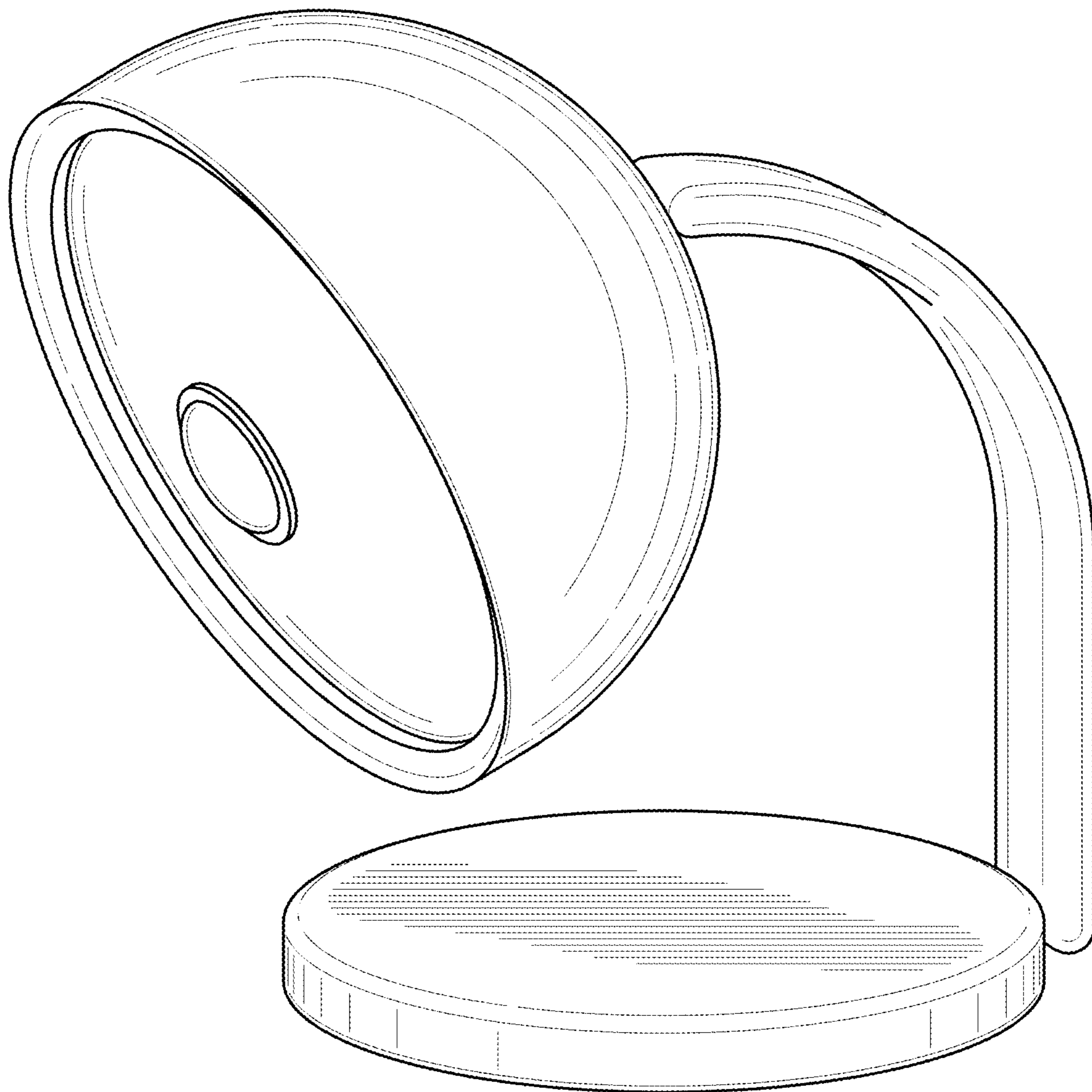


FIG. 3

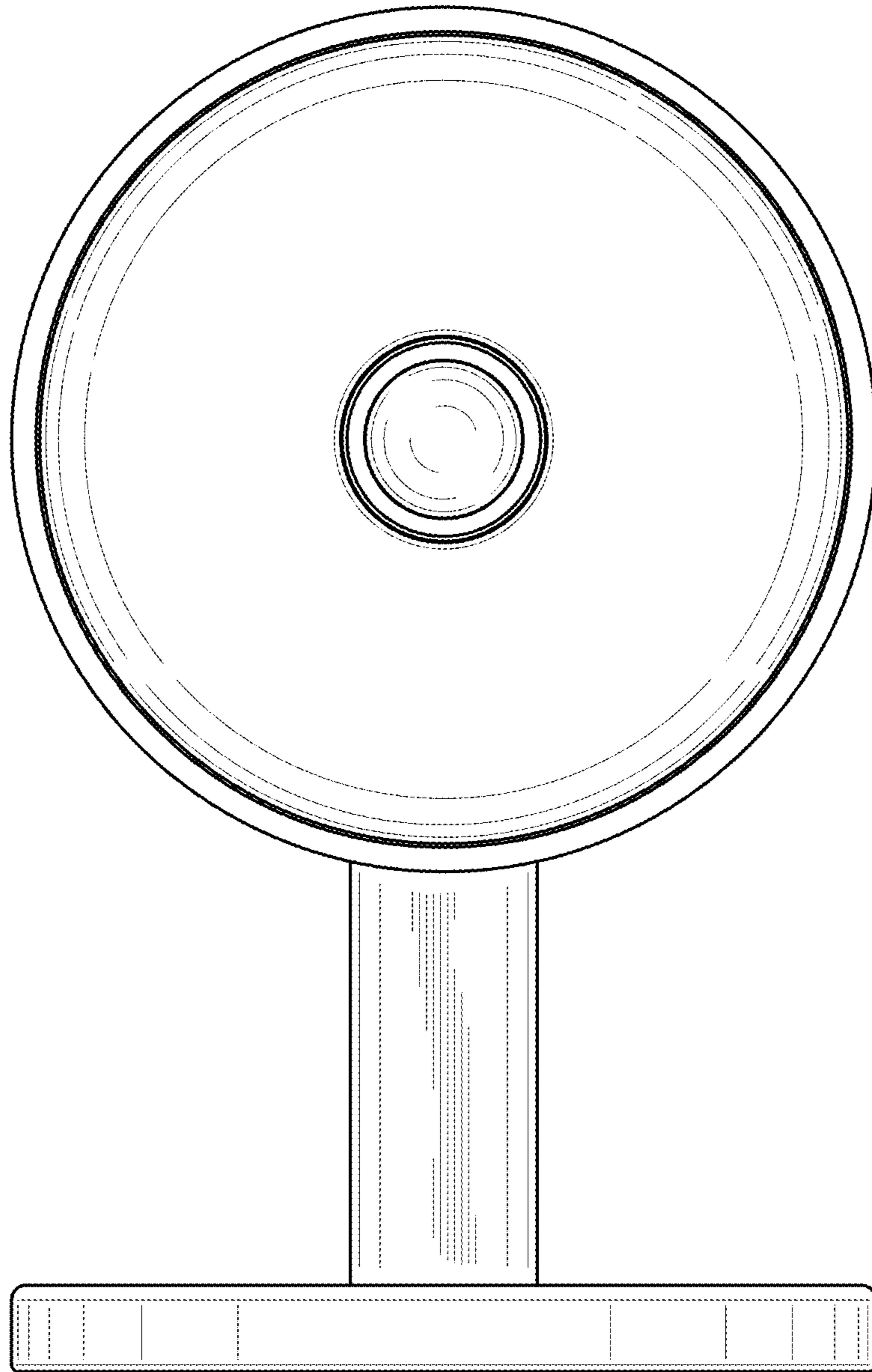


FIG. 4

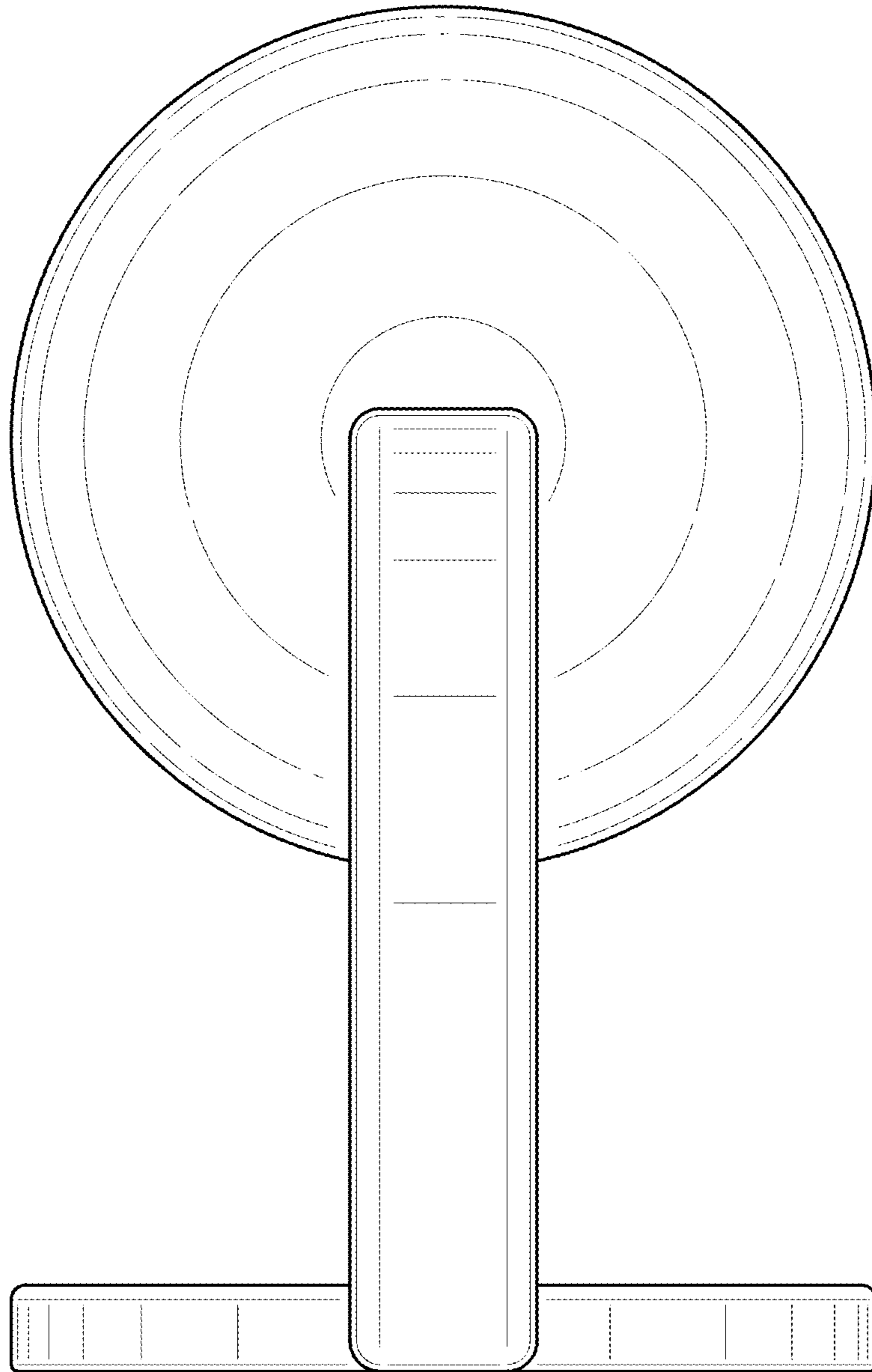


FIG. 5

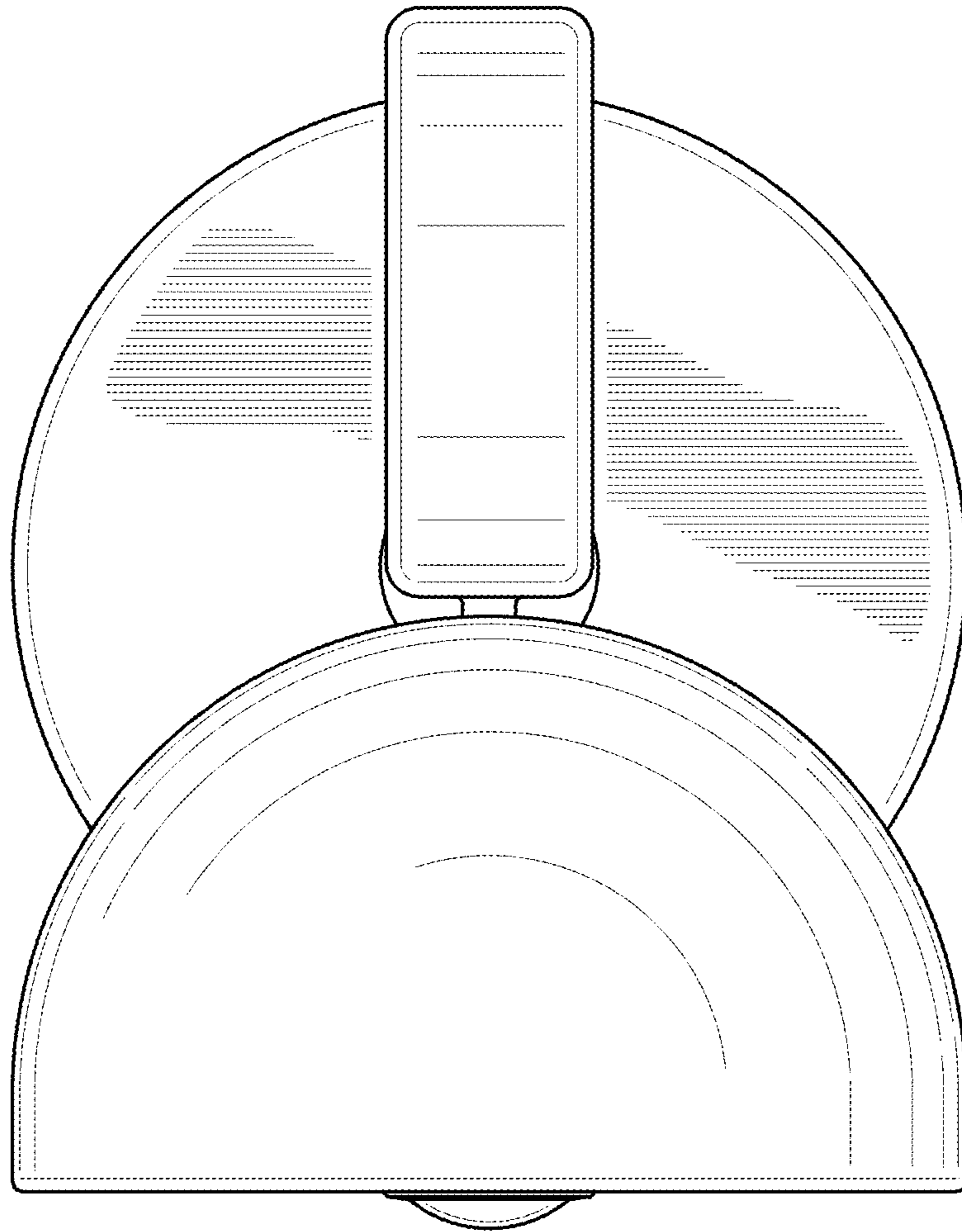


FIG. 6

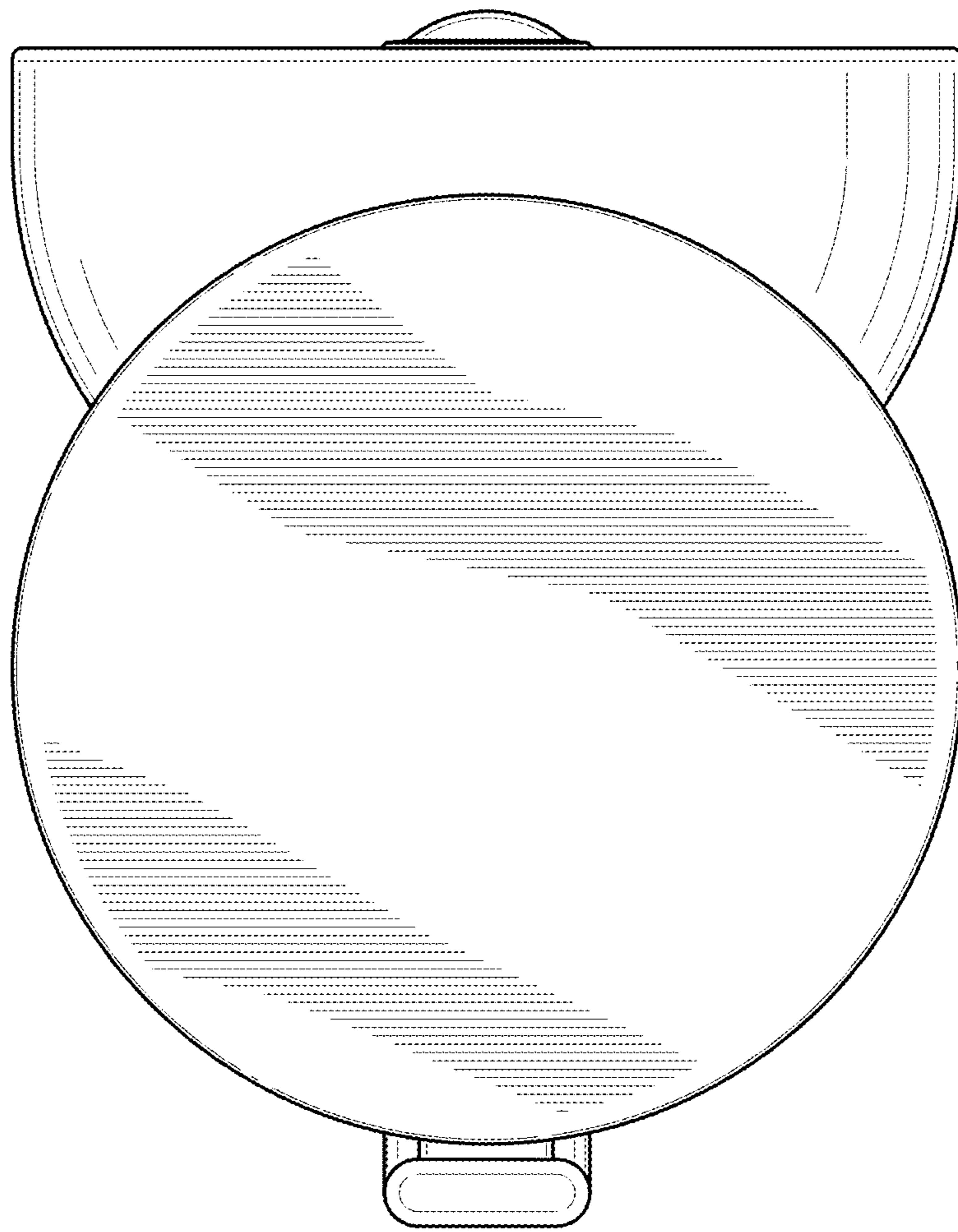


FIG. 7

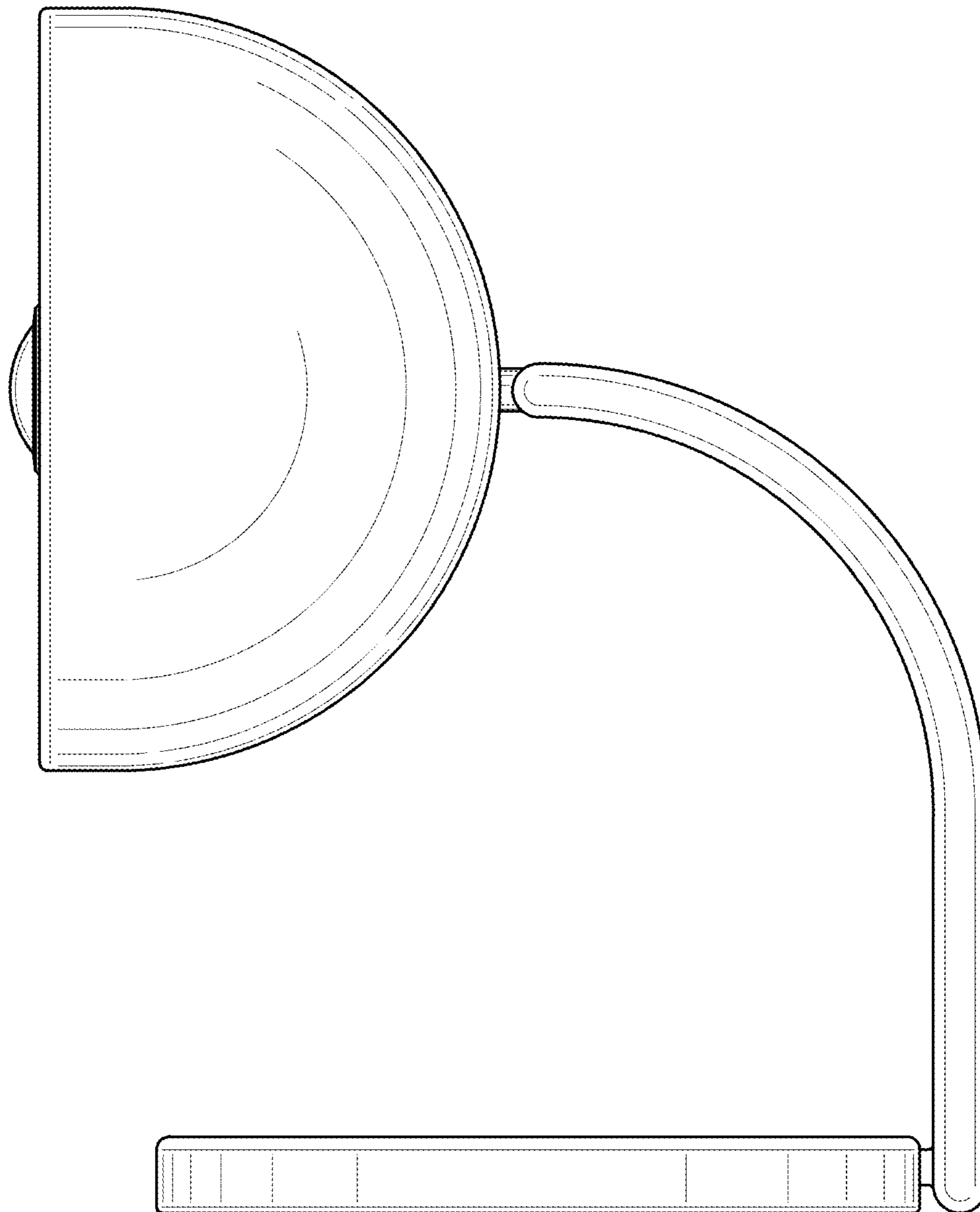


FIG. 8

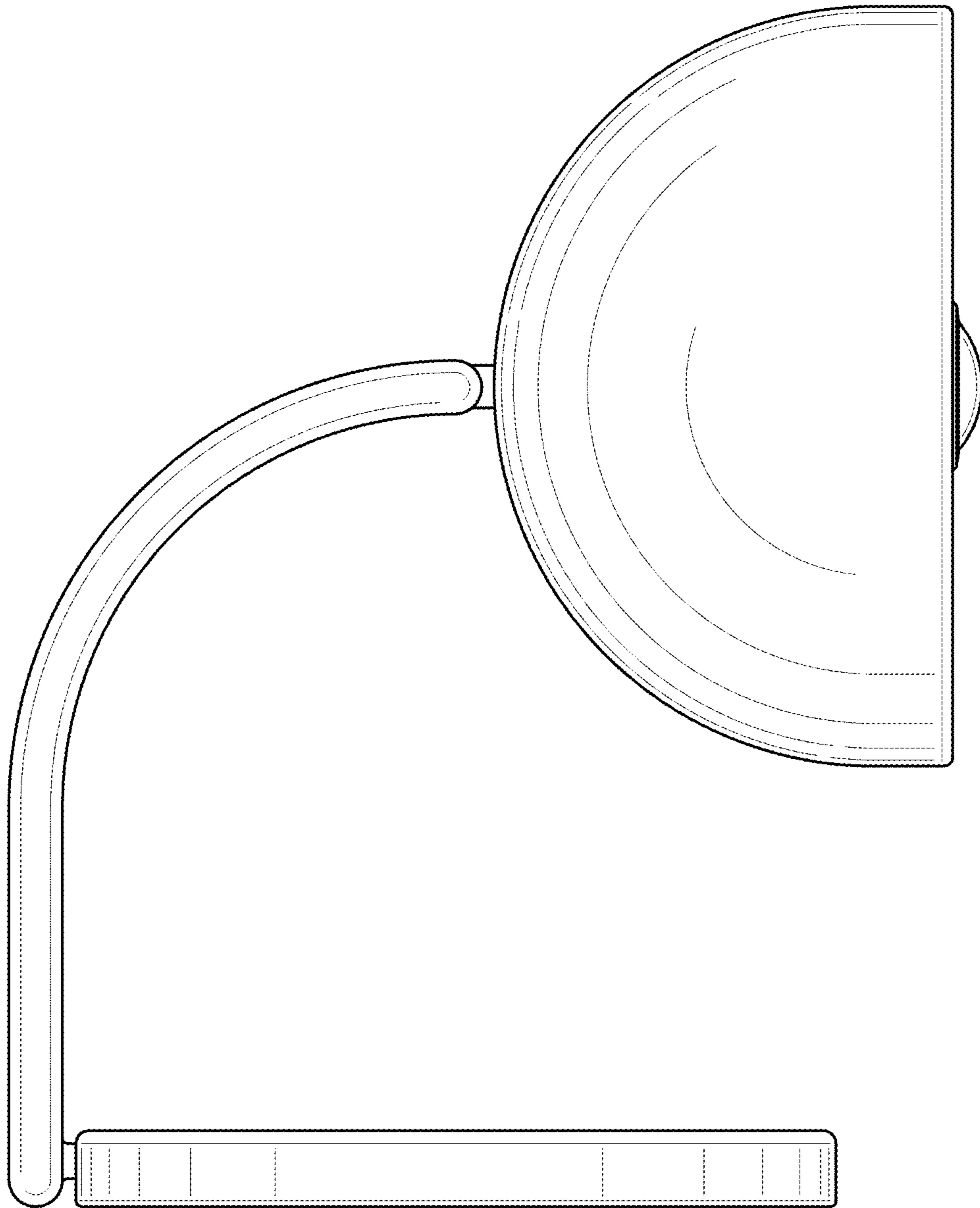


FIG. 9

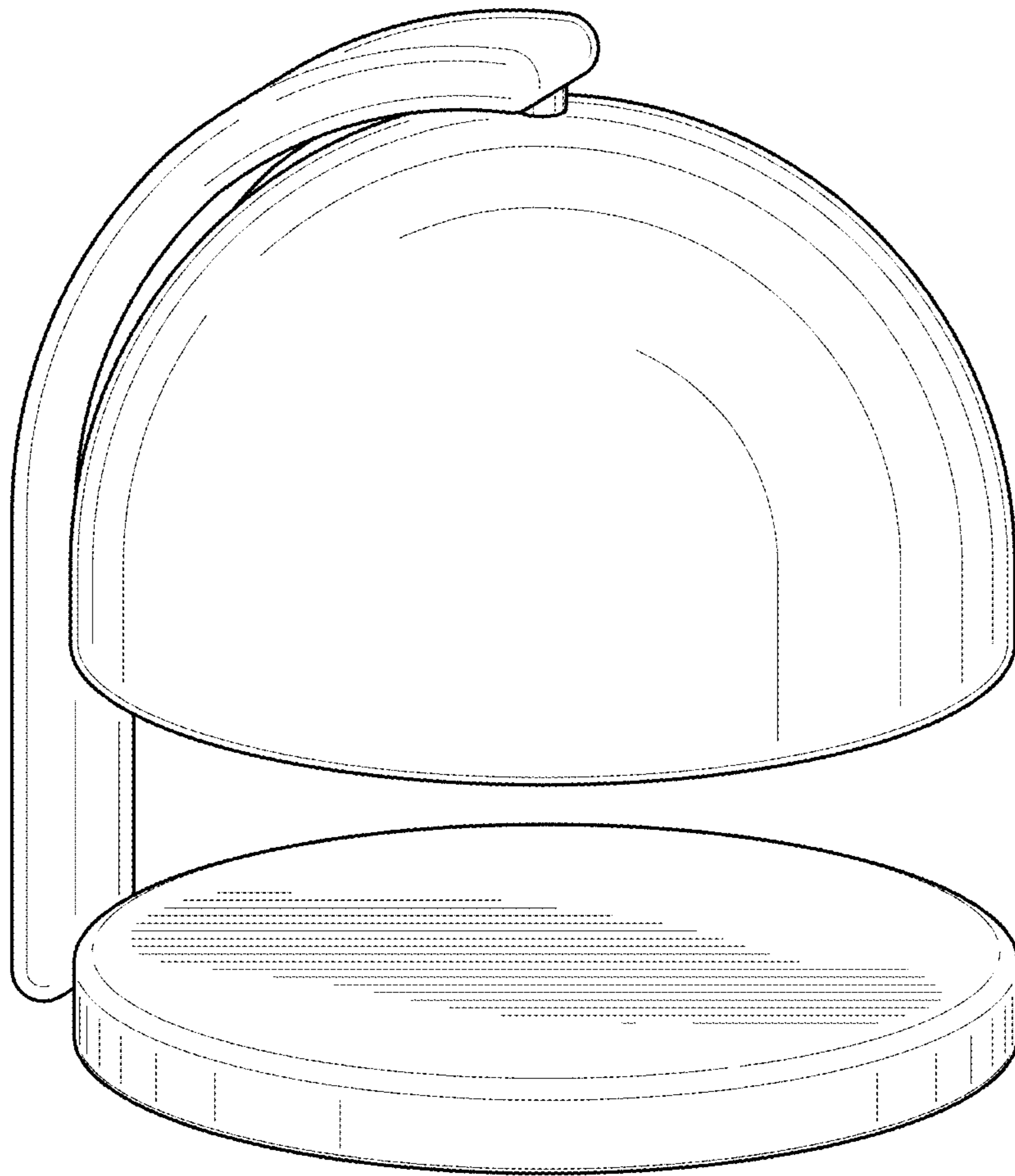


FIG. 10

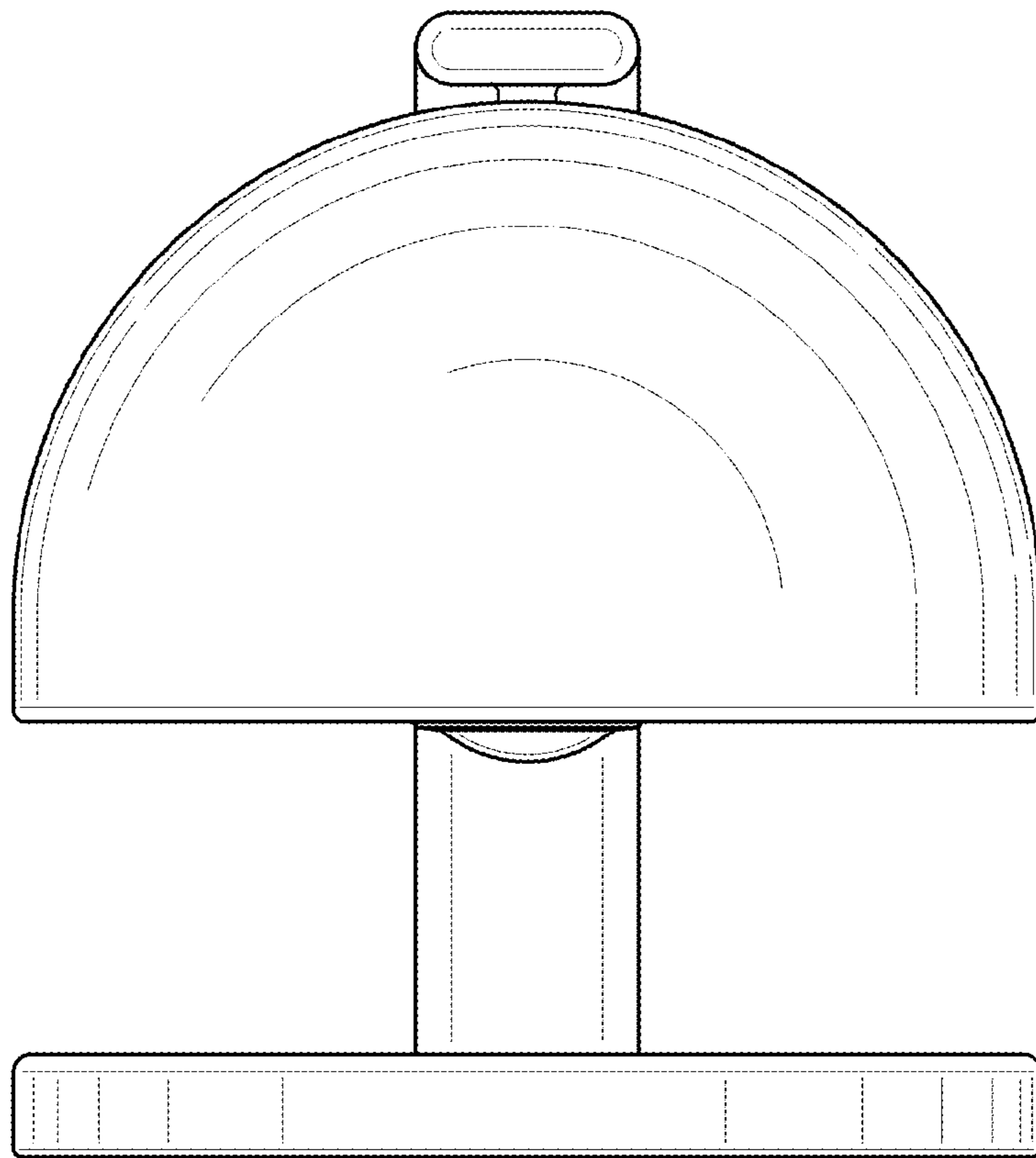


FIG. 11

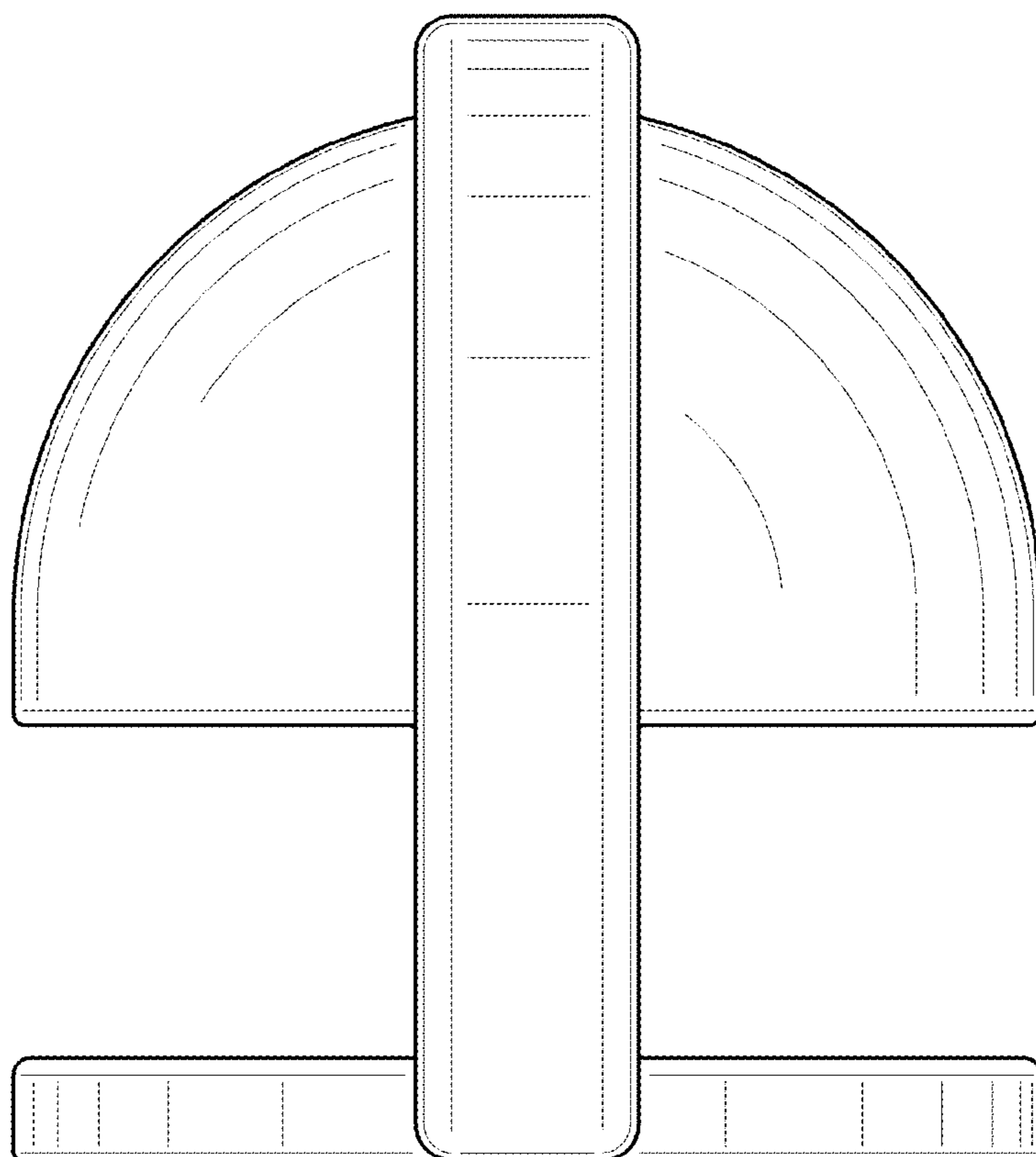


FIG. 12

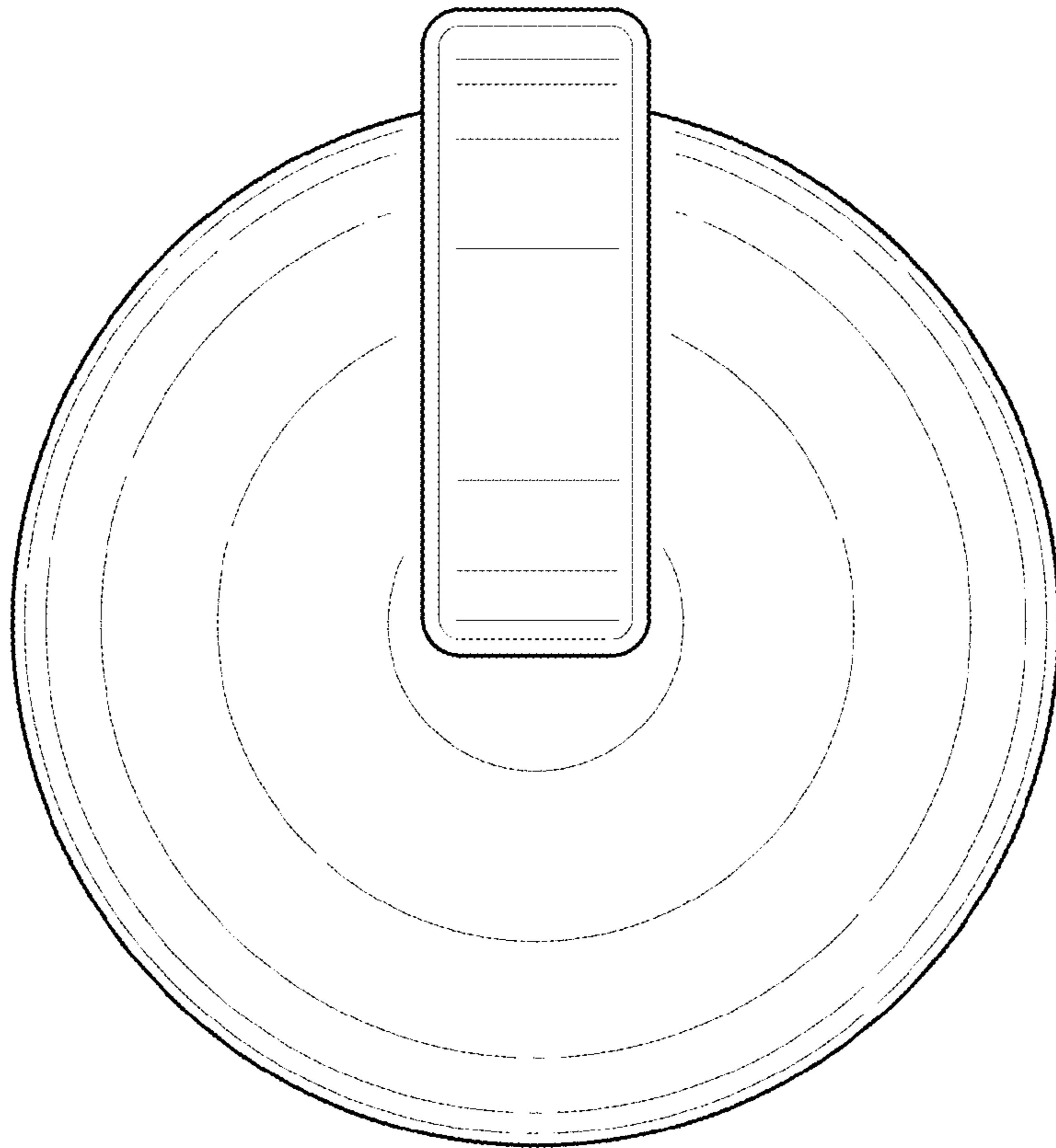


FIG. 13

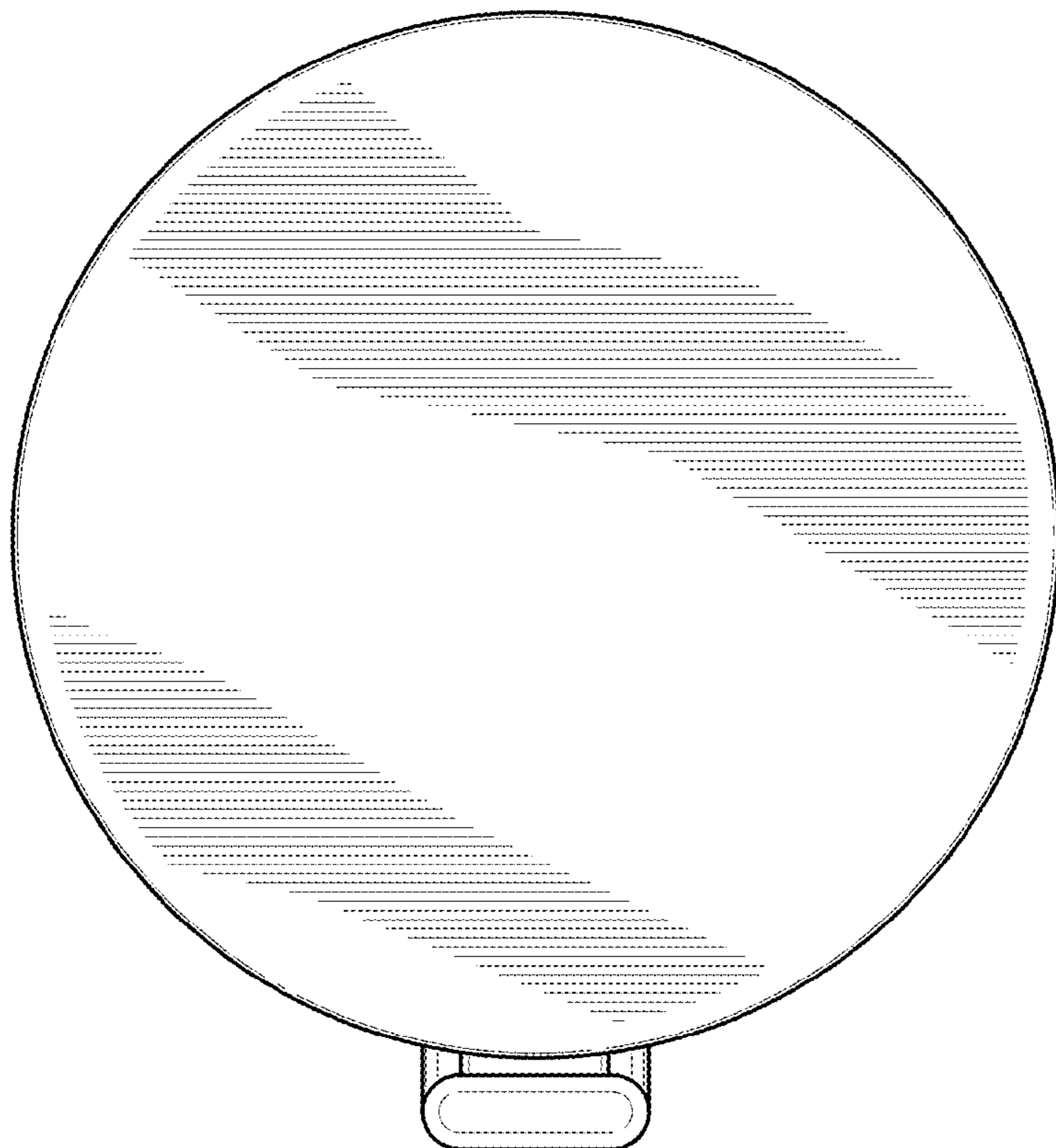


FIG. 14

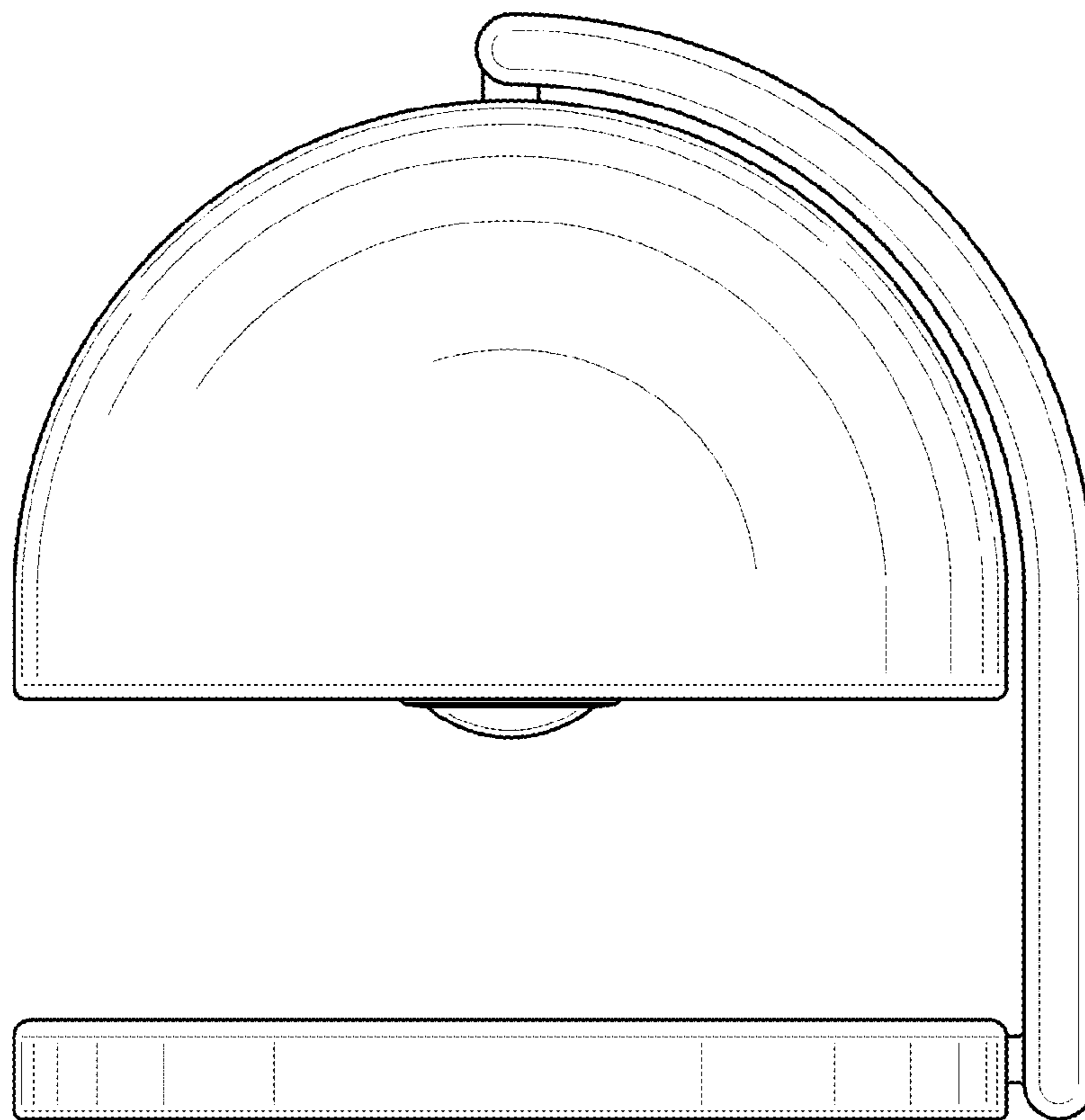


FIG. 15

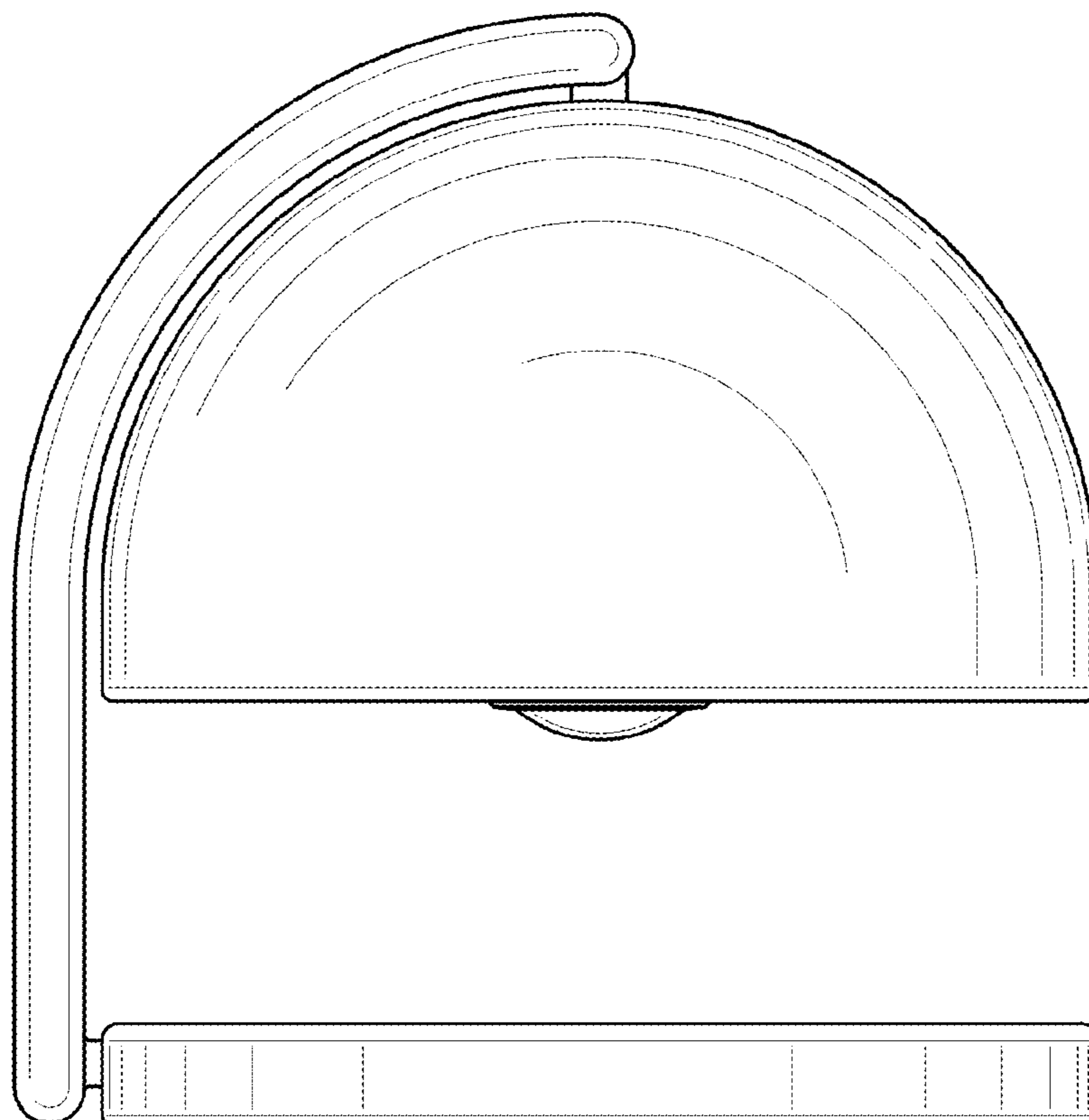


FIG. 16