



US00D892896S

(12) **United States Design Patent**
Gartrell et al.

(10) **Patent No.:** **US D892,896 S**

(45) **Date of Patent:** **** Aug. 11, 2020**

(54) **BABY MONITORING DEVICE**

- (71) Applicant: **Verily Life Sciences LLC**, South San Francisco, CA (US)
- (72) Inventors: **Andrew Julian Gartrell**, Walnut Creek, CA (US); **Pontus Wahlgren**, Oakland, CA (US); **Gaurav Bradoo**, San Francisco, CA (US); **Vincent Borel**, Los Altos, CA (US)
- (73) Assignee: **VERIFY LIFE SCIENCES LLC**, South San Francisco, CA (US)
- (**) Term: **15 Years**

(21) Appl. No.: **29/661,979**

(22) Filed: **Aug. 31, 2018**

(51) **LOC (12) Cl.** **16-01**

(52) **U.S. Cl.**
USPC **D16/203**

(58) **Field of Classification Search**
 USPC D16/200, 202–205, 208, 211, 214, 218, D16/219, 221, 242; D14/447; 348/14.01–14.06, 143, 148, 373–376; 396/419, 427, 535, 539–541
 CPC G03B 17/02; G03B 19/04; G03B 17/56; G03B 17/04; G03B 15/03; H04N 5/2251; H04N 5/2252; H04N 5/2253; H04N 5/2254; H04N 2007/145; H04N 7/141; H04N 7/142; H04N 7/147; H04N 7/148; H04N 7/15; H04N 7/152
 See application file for complete search history.

(56) **References Cited**

U.S. PATENT DOCUMENTS

D721,754 S	*	1/2015	Chen	D16/202
D729,296 S	*	5/2015	Shelton	D16/202
D733,781 S	*	7/2015	Chen	D16/202
D740,871 S	*	10/2015	Moon	D16/203
D748,709 S	*	2/2016	Jeong	D16/202
D754,233 S	*	4/2016	Du	D16/211

(Continued)

OTHER PUBLICATIONS

Chinese Application No. 201930080624.2 , “Office Action”, dated Oct. 11, 2019, 1 page.

Primary Examiner — Ramzi S Almatrahi
(74) *Attorney, Agent, or Firm* — Kilpatrick Townsend & Stockton LLP

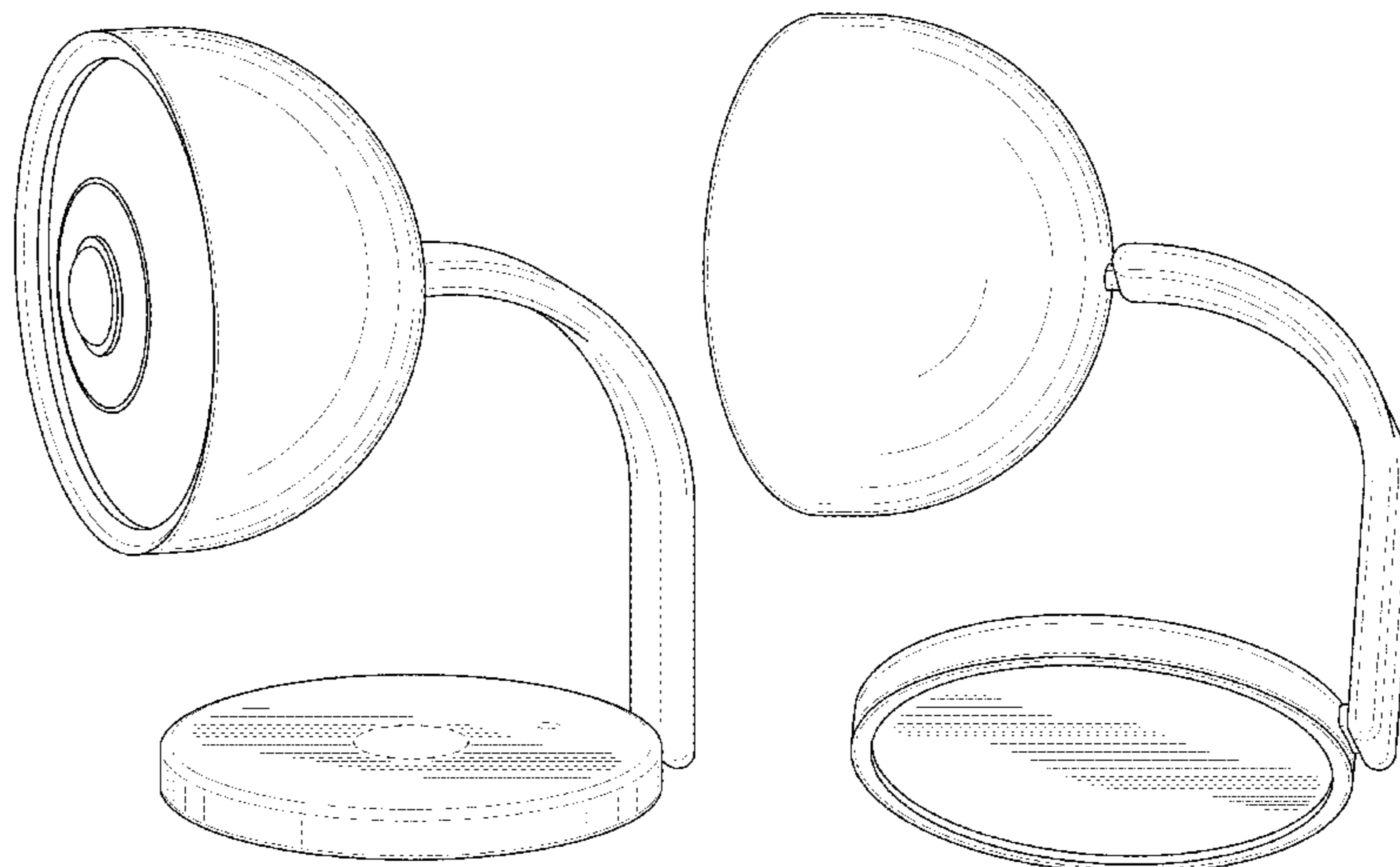
(57) **CLAIM**

We claim the ornamental design for a baby monitoring device, as shown and described.

DESCRIPTION

FIG. 1 is a top, front and right side perspective view of a baby monitoring device showing our new design;
 FIG. 2 is a bottom, rear and right side perspective view thereof;
 FIG. 3 is a top, front and right side perspective view thereof, shown in an alternate position;
 FIG. 4 is a front elevation view of the baby monitoring device shown in FIGS. 1 and 2;
 FIG. 5 is a rear elevation view thereof;
 FIG. 6 is a top plan view thereof;
 FIG. 7 is a bottom plan view thereof;
 FIG. 8 is a right side elevation view thereof;
 FIG. 9 is a left side elevation view thereof;
 FIG. 10 is a top, front and left side perspective view thereof, shown in an alternate position;
 FIG. 11 is a front elevation view thereof;
 FIG. 12 is a rear elevation view thereof;
 FIG. 13 is a top plan view thereof;
 FIG. 14 is a bottom plan view thereof;
 FIG. 15 is a right side elevation view thereof; and,
 FIG. 16 is a left side elevation view thereof.
 The broken lines shown in FIGS. 1, 3, 5, 6, 7, 9, 10, 11, 12, 13, and 16 illustrate portions of the baby monitoring device that form no part of the claimed design.

1 Claim, 13 Drawing Sheets



(56)

References Cited

U.S. PATENT DOCUMENTS

D761,340 S * 7/2016 Pacurariu D16/202
D784,434 S * 4/2017 Benedetti D16/202
9,631,767 B2 * 4/2017 Kilgore F16M 11/2064
D785,693 S * 5/2017 Kim D16/202
D795,938 S * 8/2017 Ravat D16/202
D798,360 S * 9/2017 Jeong D16/203

* cited by examiner

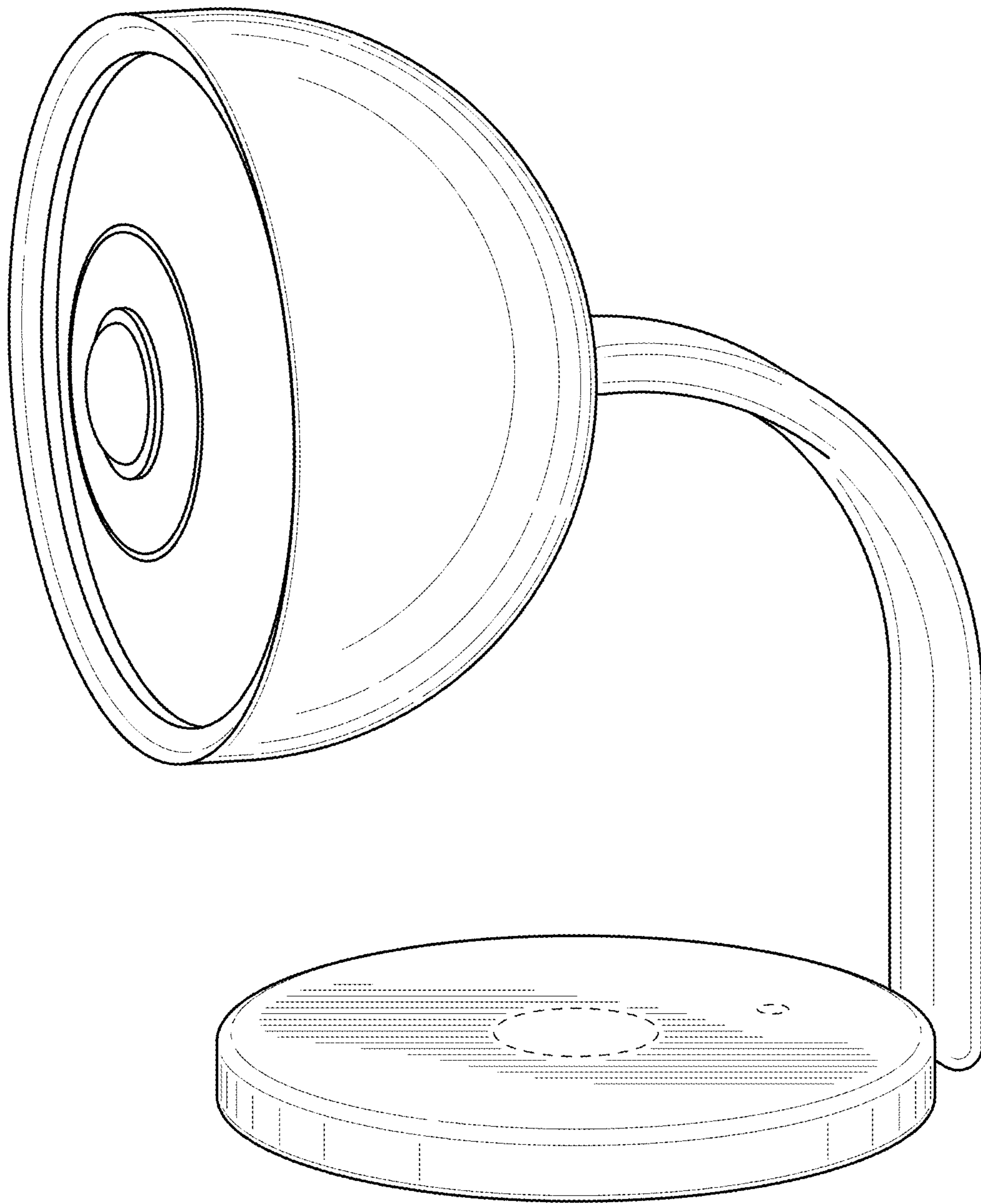


FIG. 1

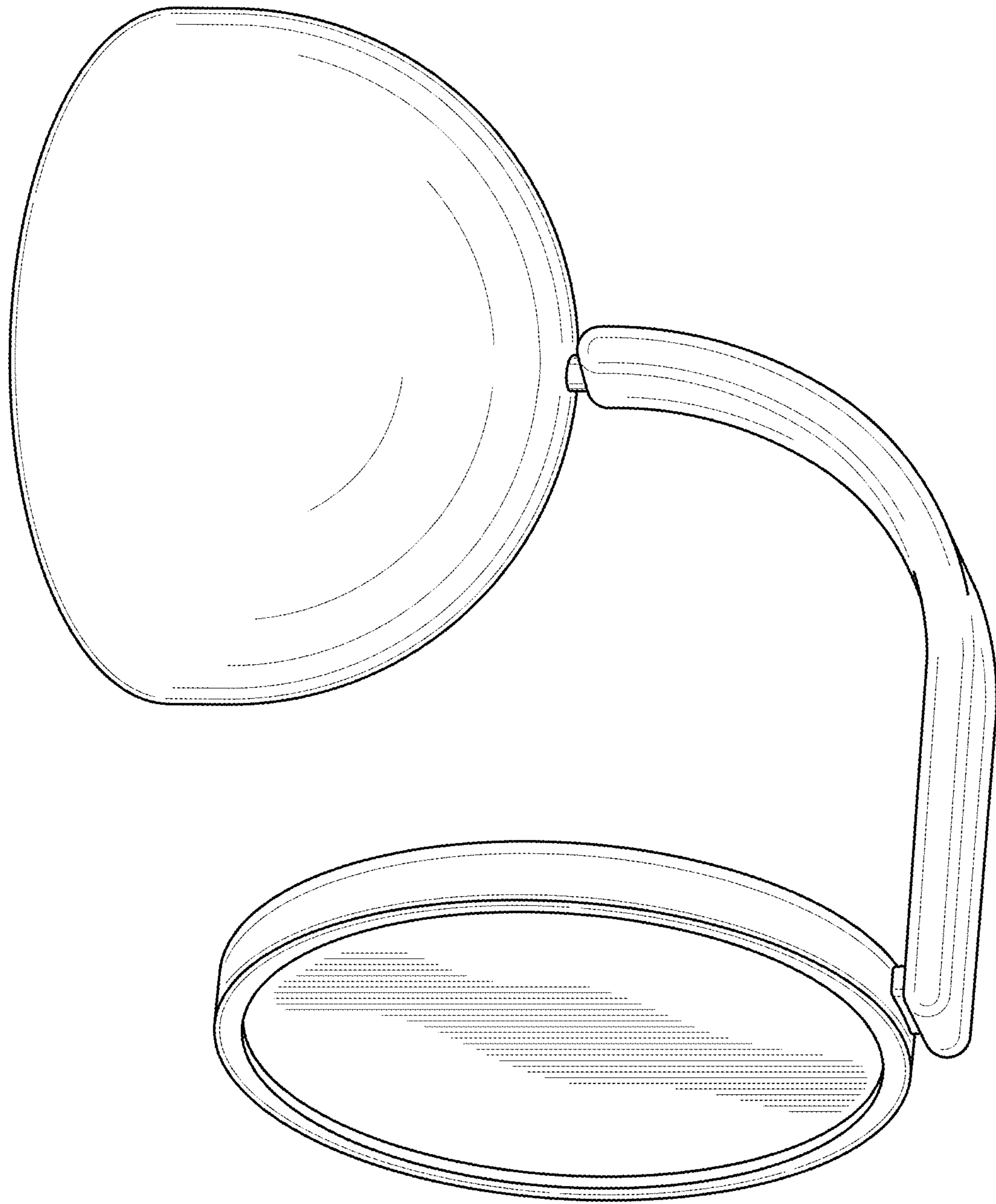


FIG. 2

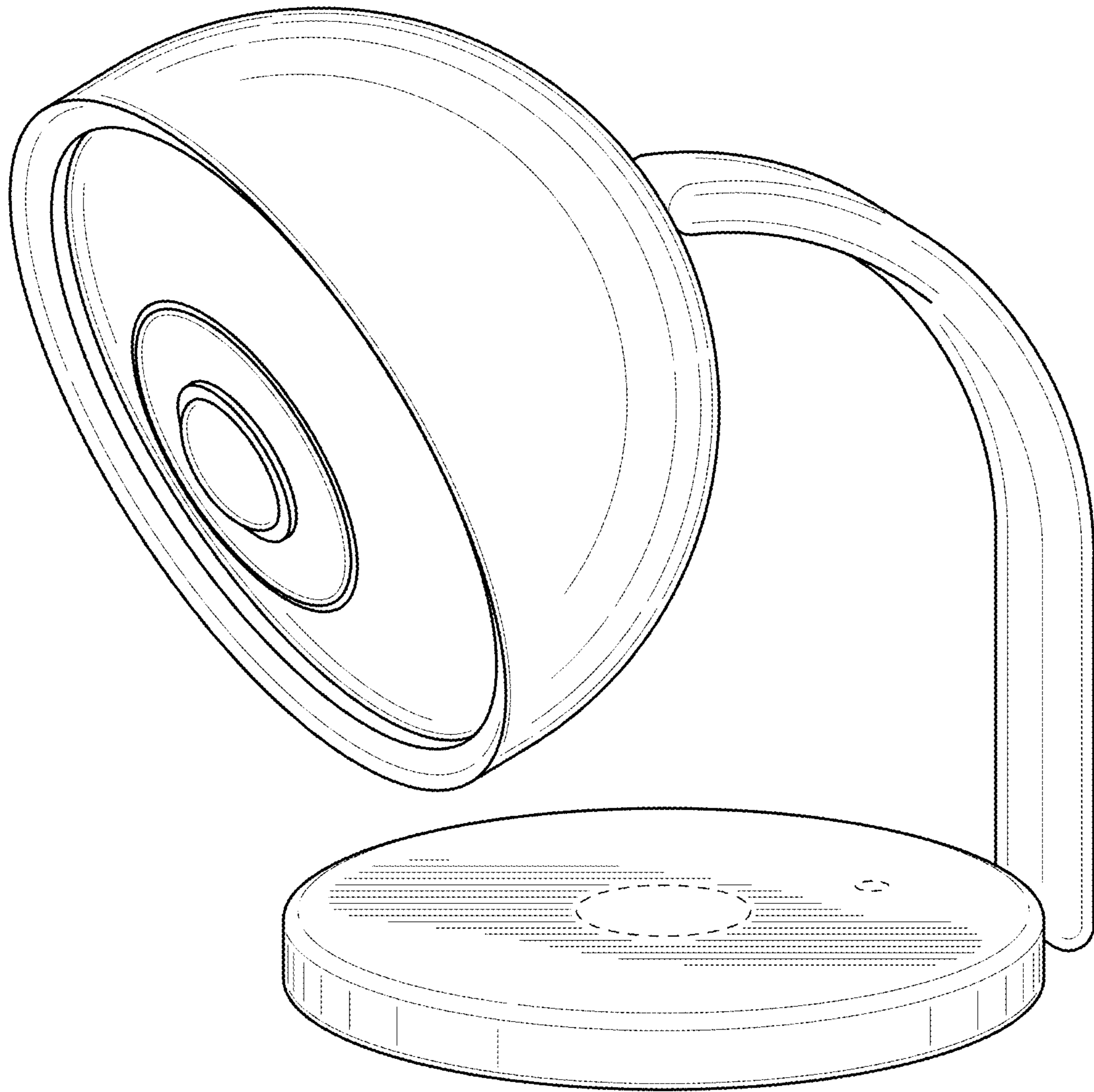


FIG. 3

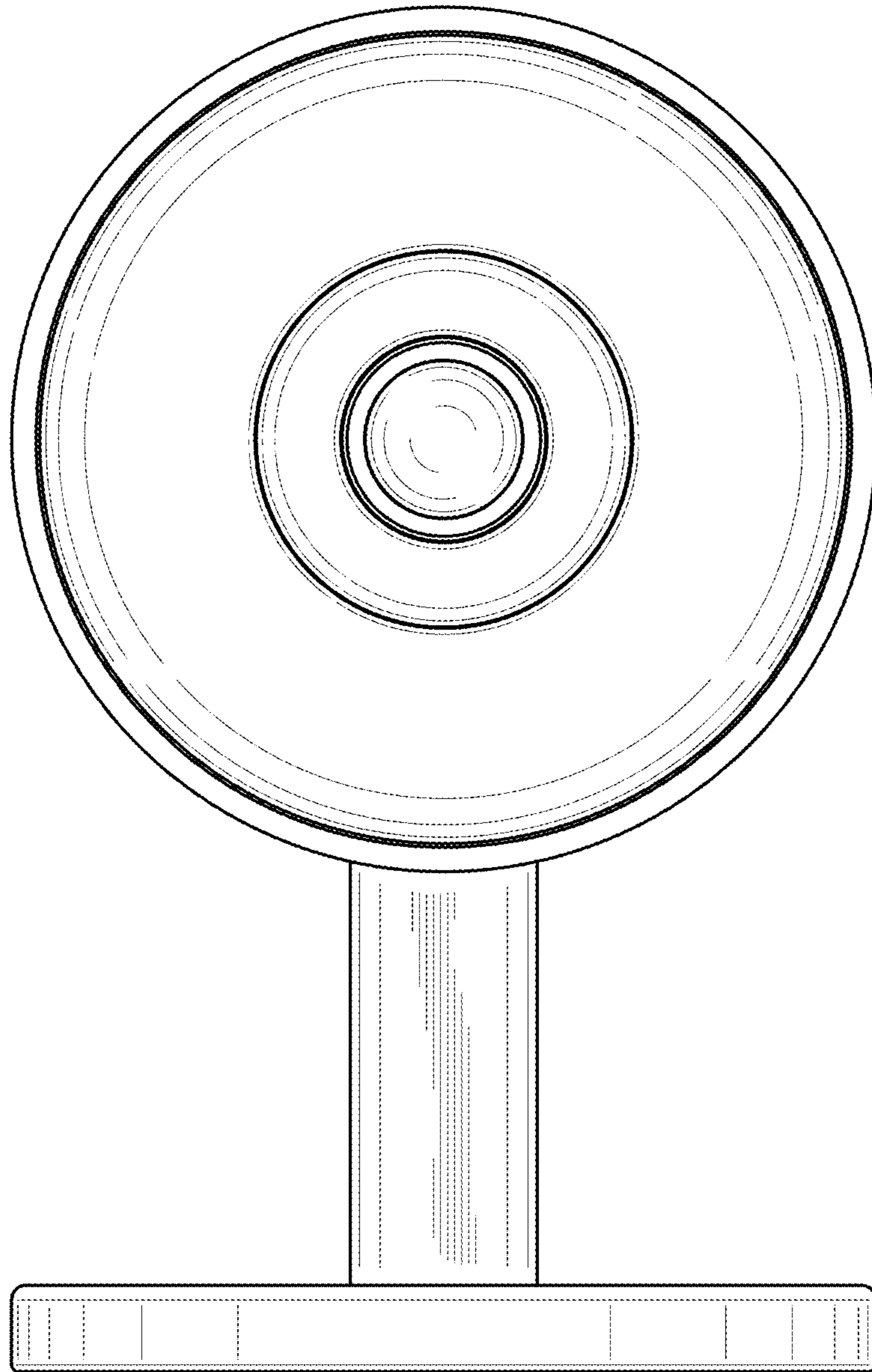


FIG. 4

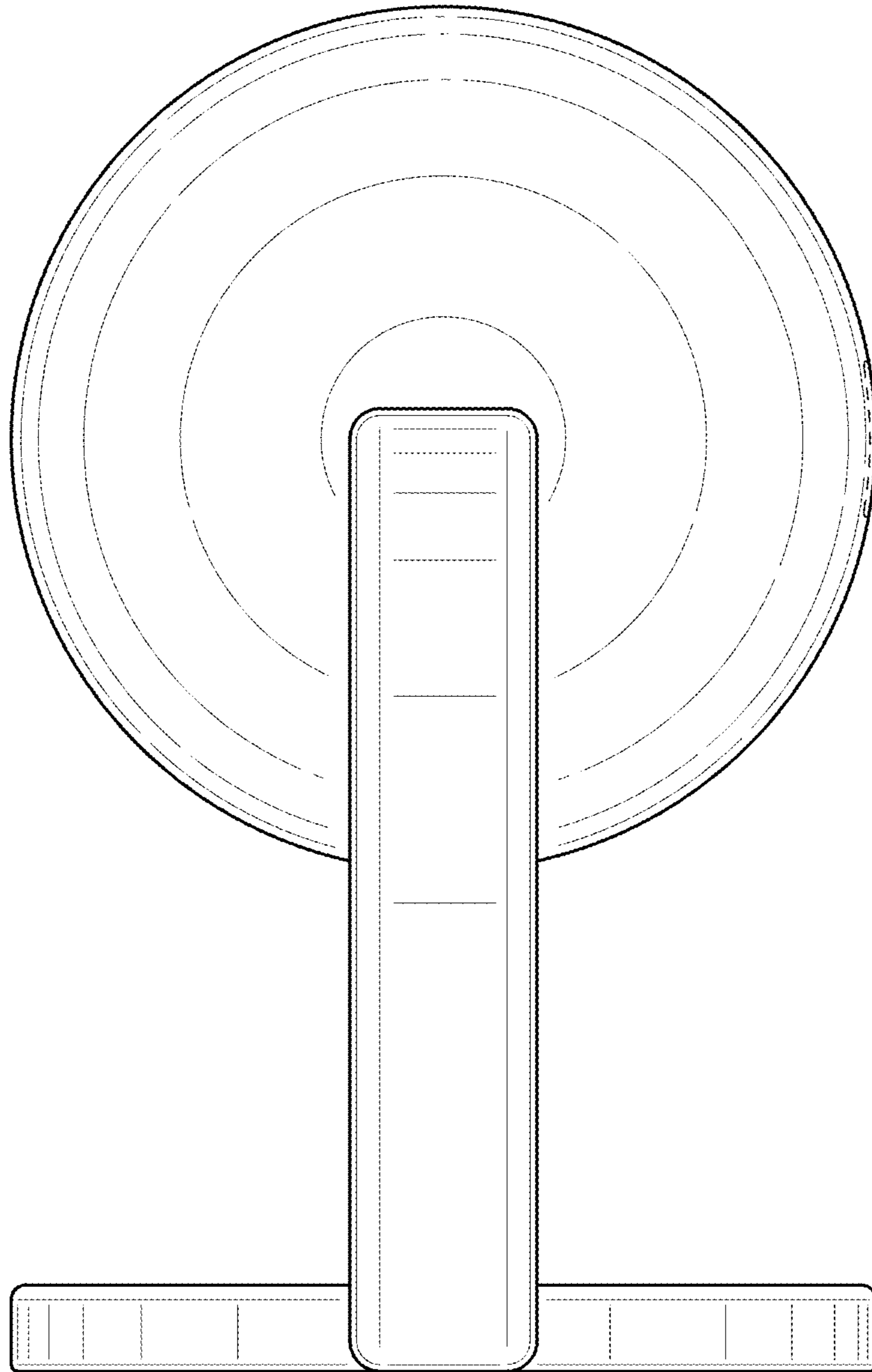


FIG. 5

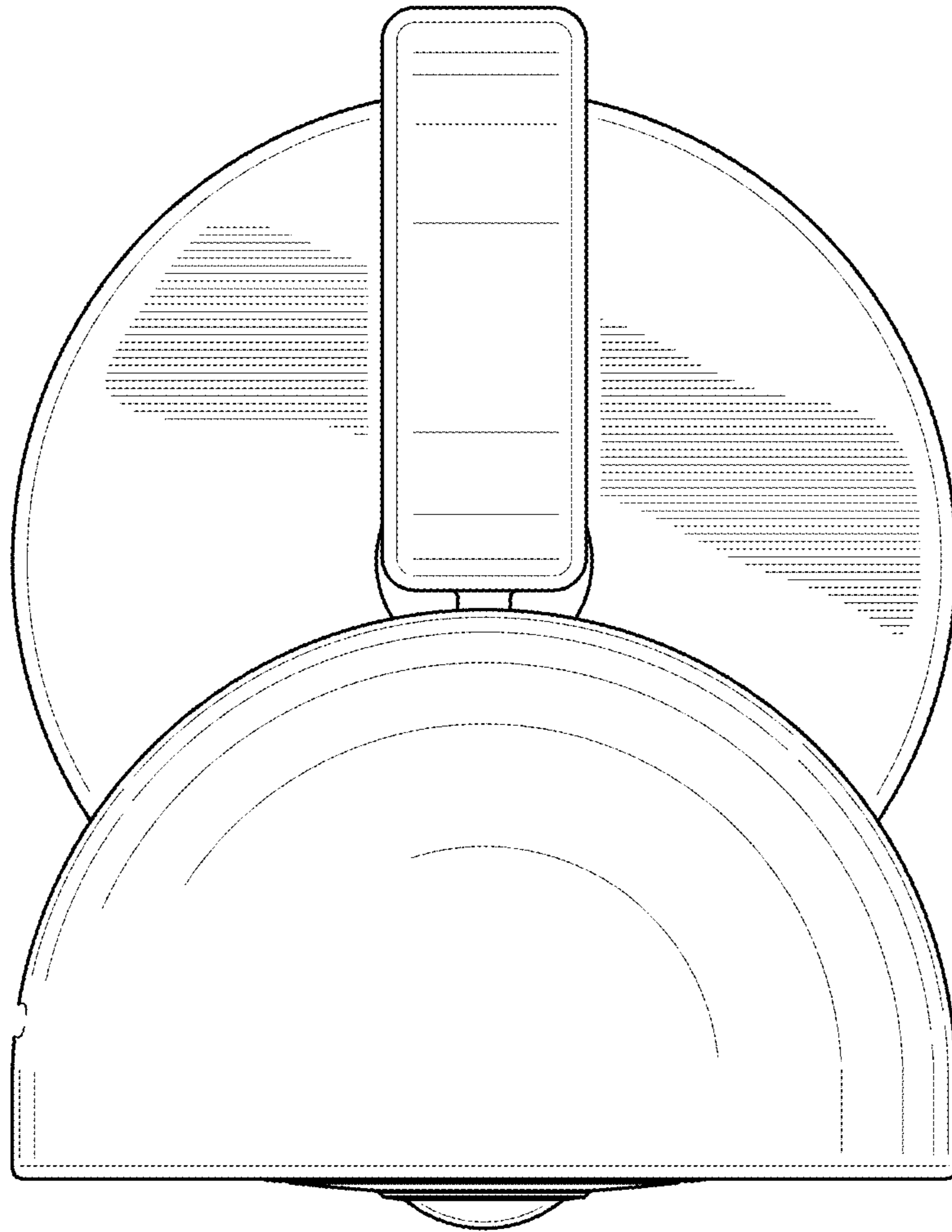


FIG. 6

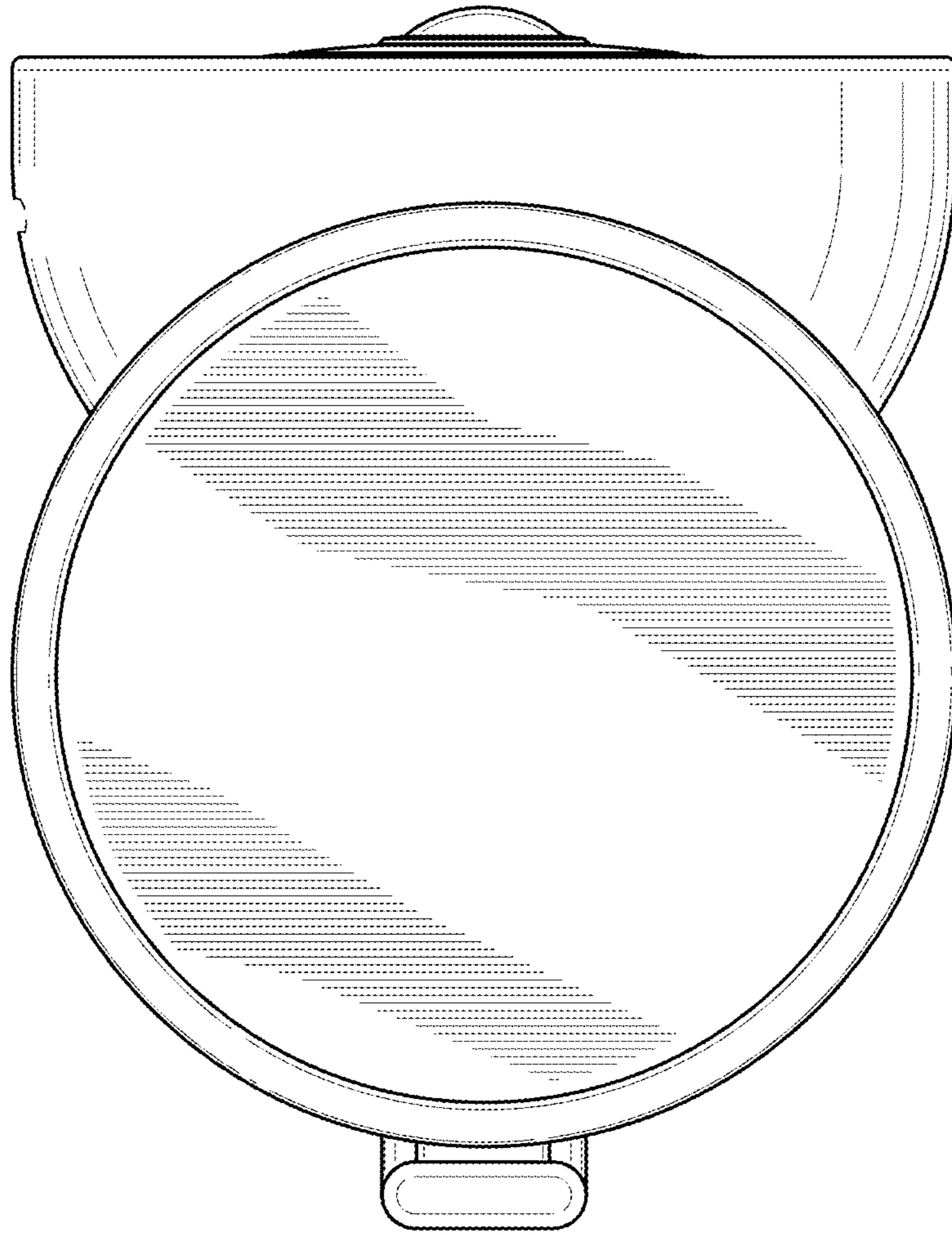


FIG. 7

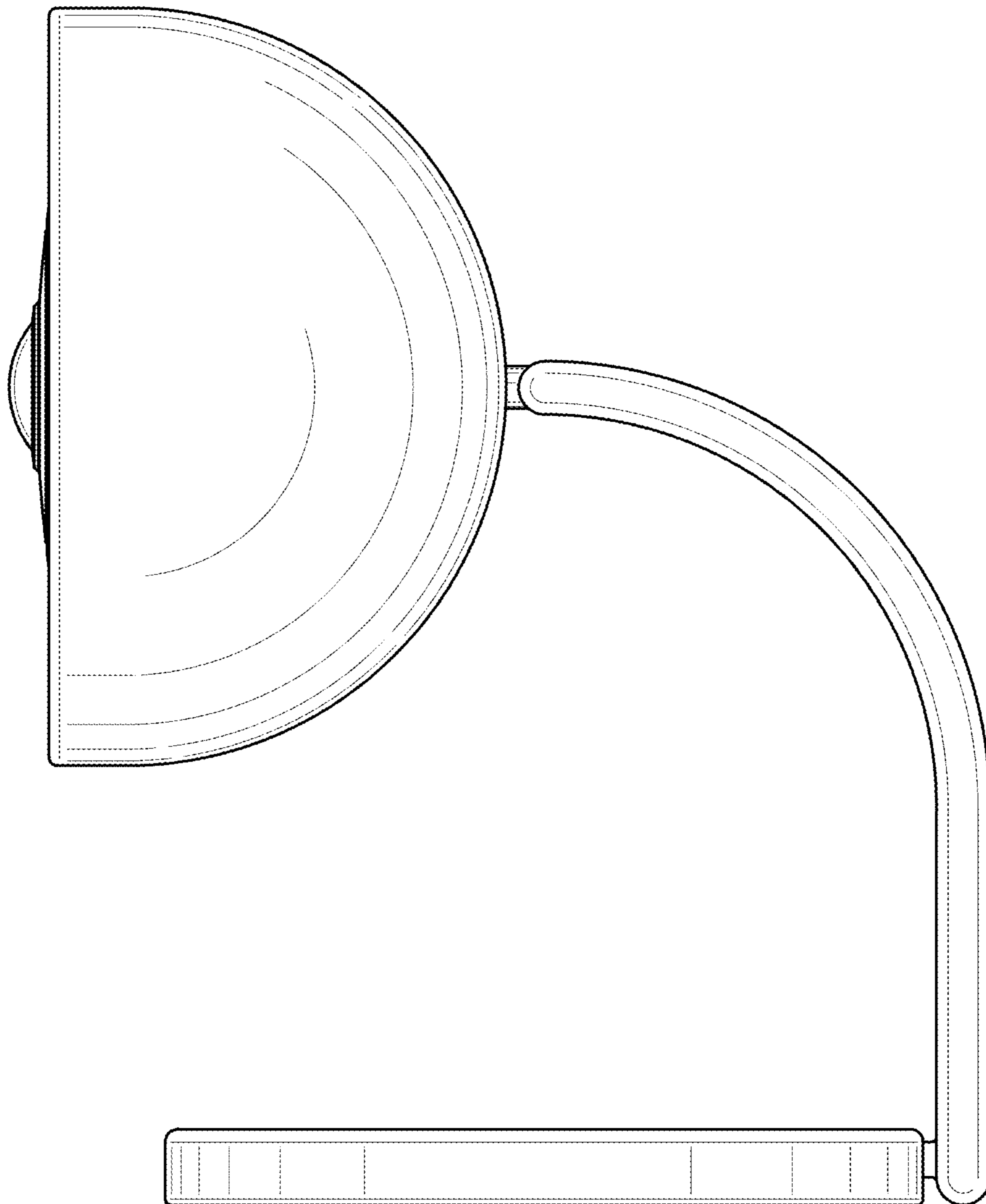


FIG. 8

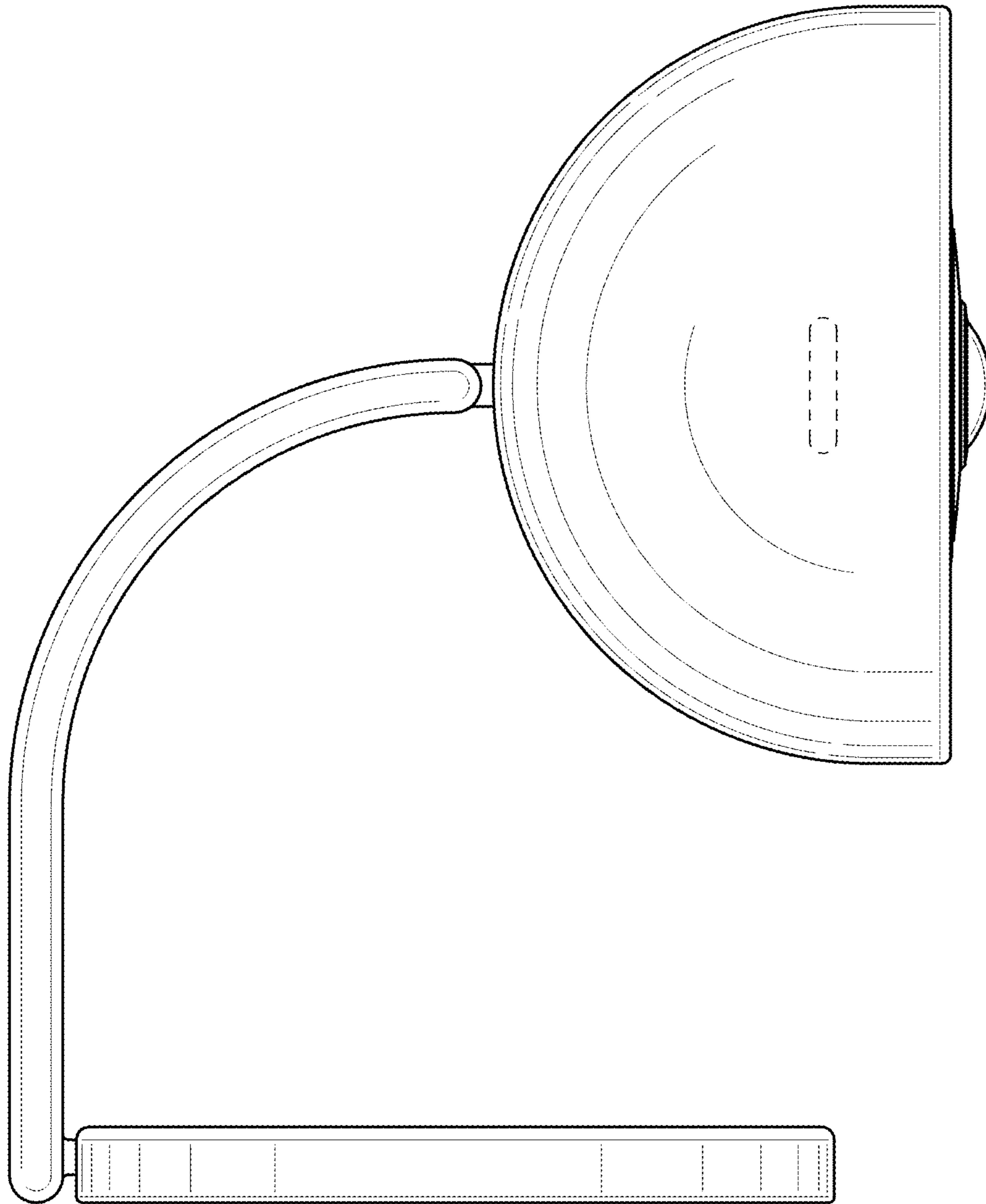


FIG. 9

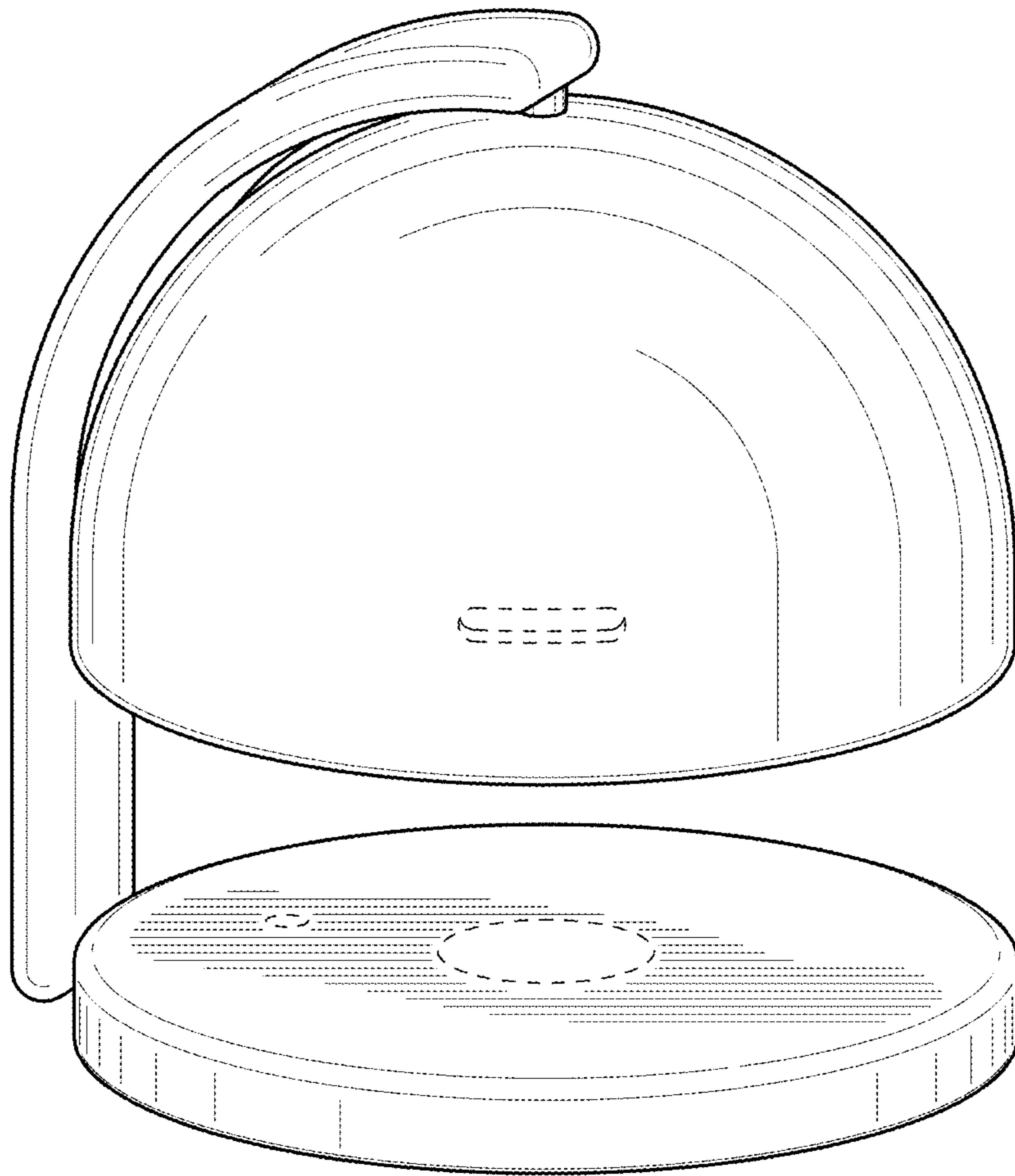


FIG. 10

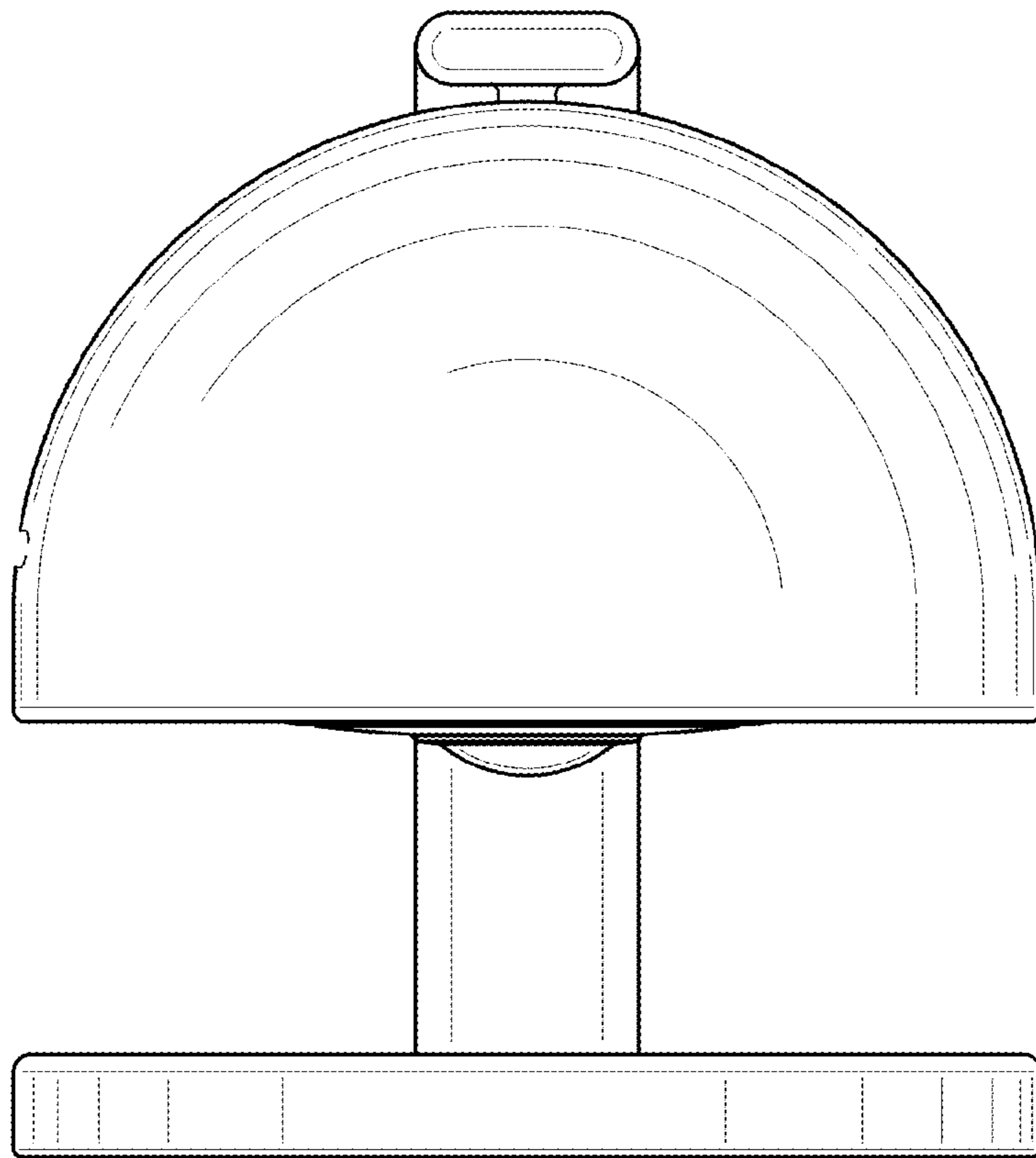


FIG. 11

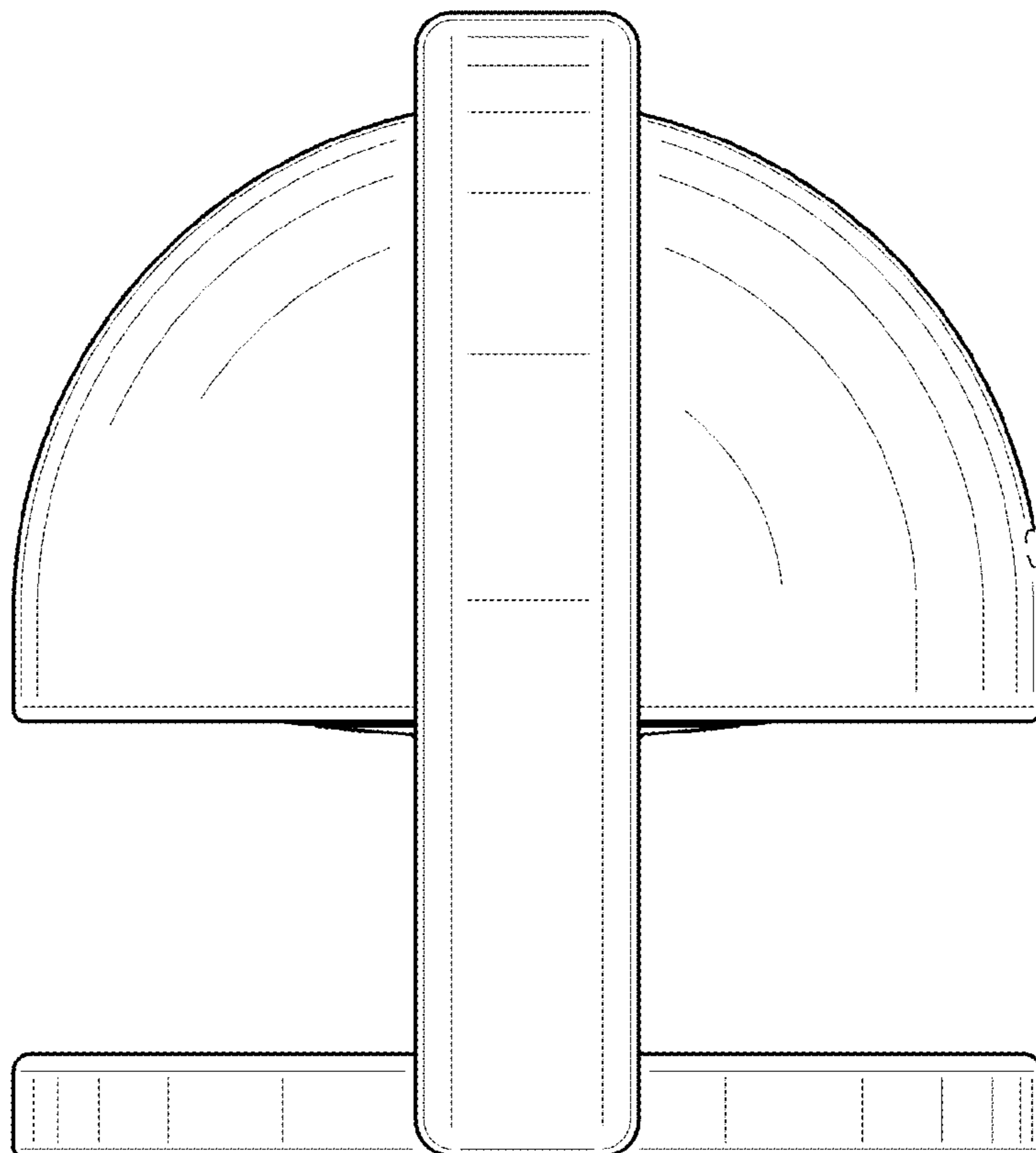


FIG. 12

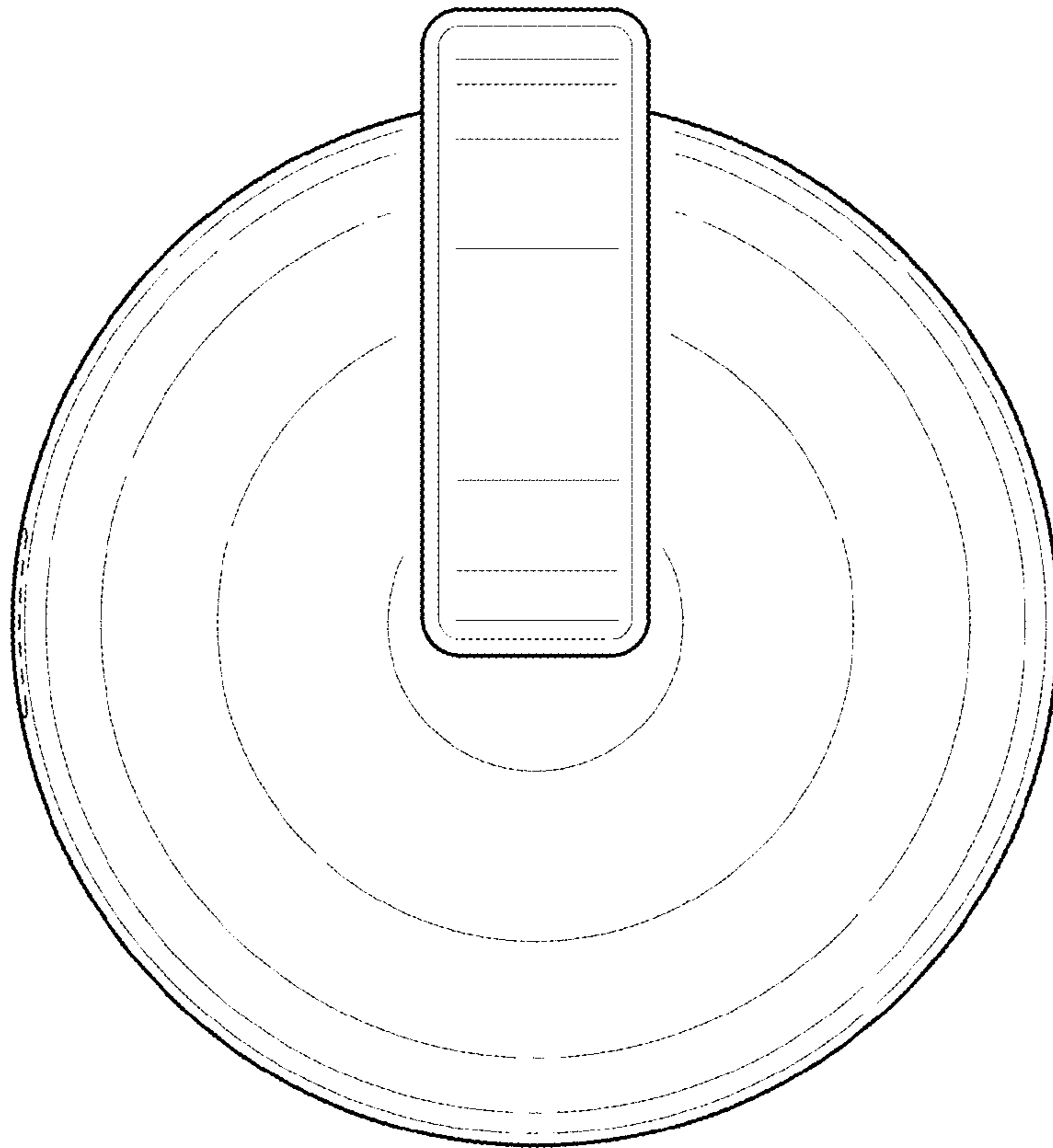


FIG. 13

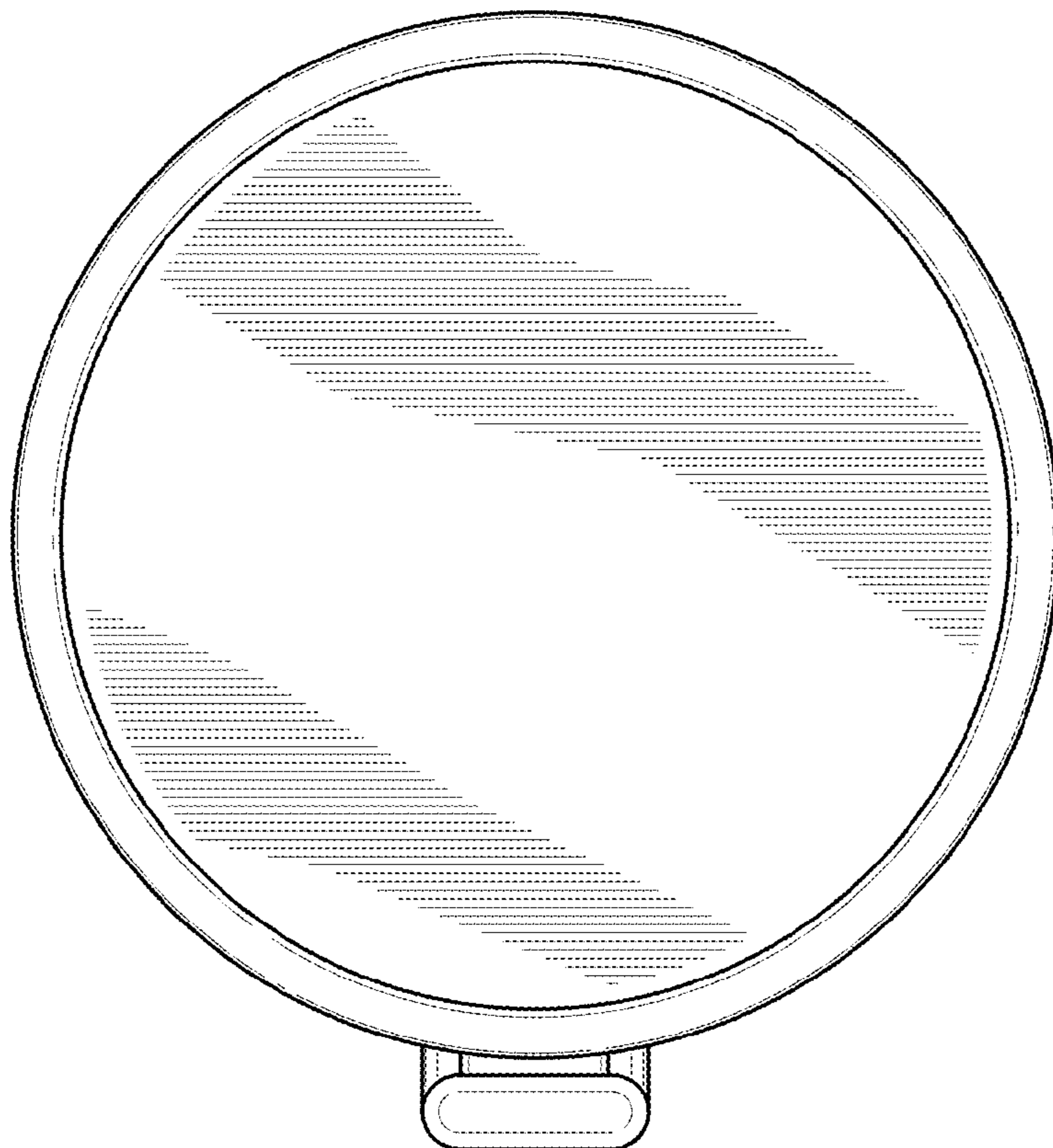


FIG. 14

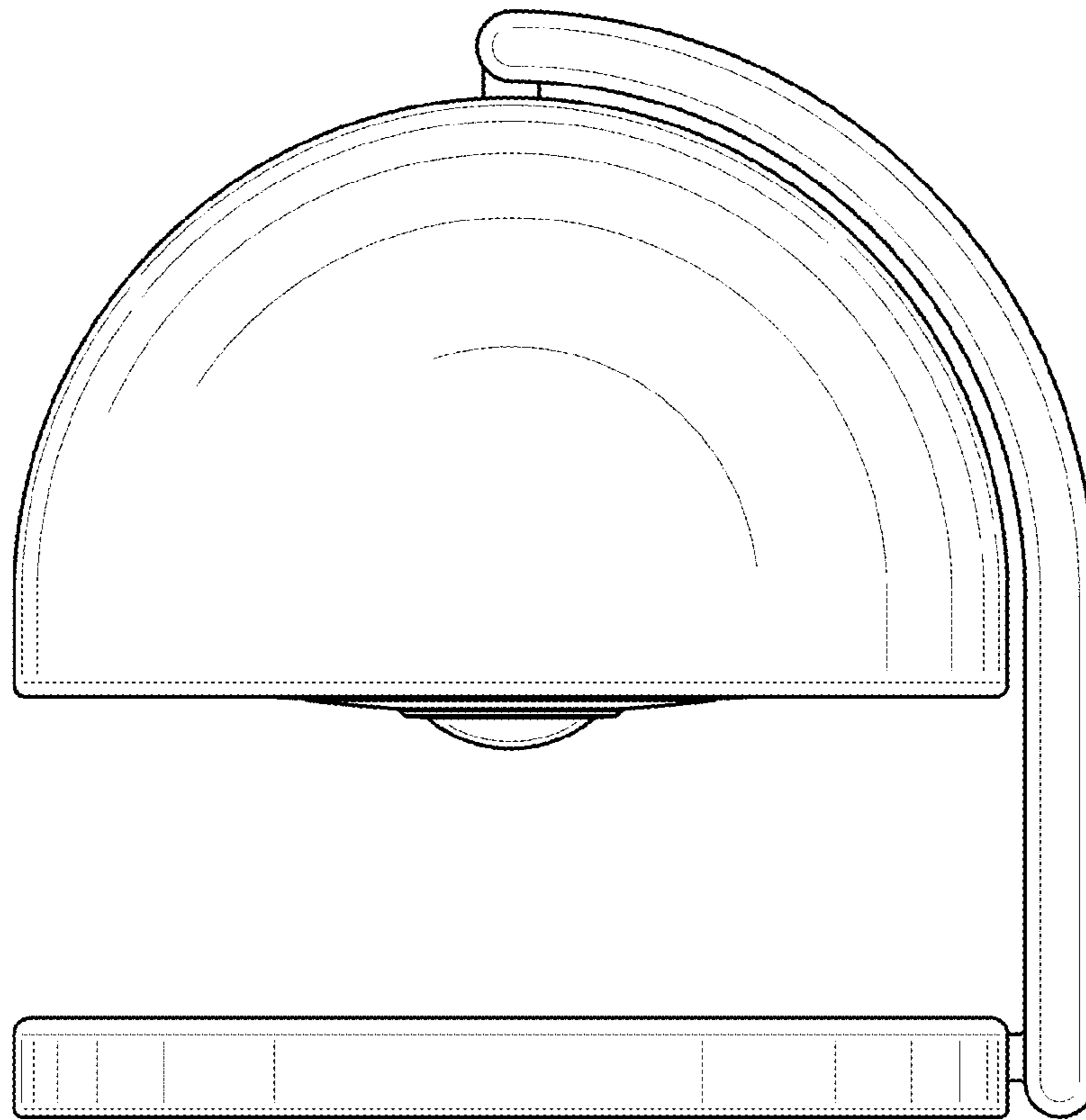


FIG. 15

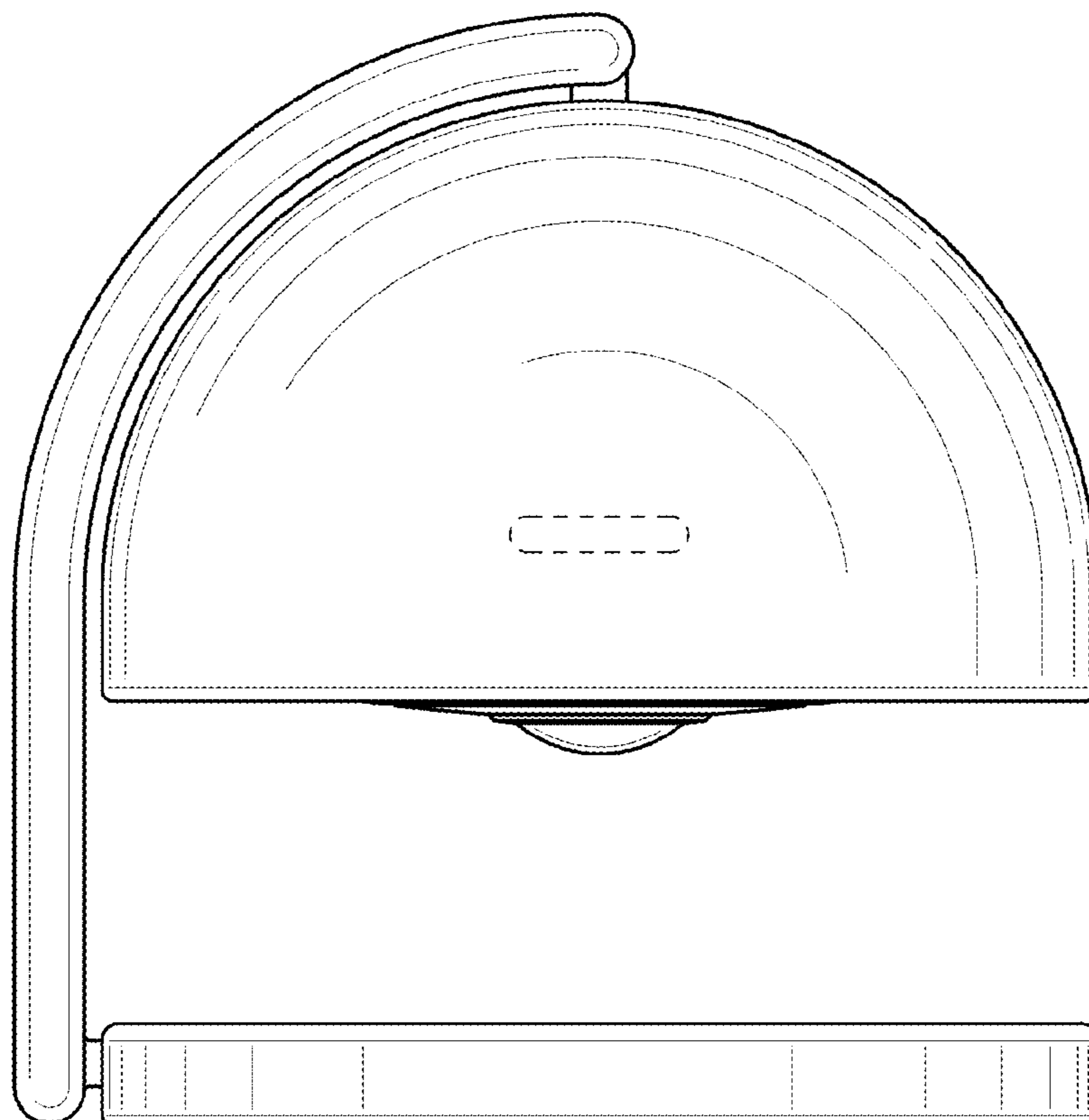


FIG. 16