



US00D892895S

(12) **United States Design Patent**  
**Zhang et al.**

(10) **Patent No.:** **US D892,895 S**

(45) **Date of Patent:** **\*\* Aug. 11, 2020**

(54) **CAMERA**

(71) Applicant: **Hangzhou Hikvision Digital Technology Co., Ltd.**, Hangzhou (CN)

(72) Inventors: **Fengmin Zhang**, Hangzhou (CN); **Peng Xu**, Hangzhou (CN); **Liang Ying**, Hangzhou (CN); **Zhan Ye**, Hangzhou (CN)

(73) Assignee: **HANGZHOU HIKVISION DIGITAL TECHNOLOGY CO., LTD.**, Hangzhou (CN)

(\*\*) Term: **15 Years**

(21) Appl. No.: **29/656,030**

(22) Filed: **Jul. 10, 2018**

(30) **Foreign Application Priority Data**

Mar. 30, 2018 (CN) ..... 2018 3 0125134

(51) **LOC (12) Cl.** ..... **16-01**

(52) **U.S. Cl.**  
USPC ..... **D16/203**

(58) **Field of Classification Search**

USPC ..... D16/200, 202, 203, 208, 219, 242;  
D10/106.1, 106.6, 106.7, 106.8  
CPC .. H04N 5/2251; H04N 5/2252; H04N 5/2253;  
H04N 5/2254; H04N 7/181; H04N 7/183;  
H04N 7/18; G03B 15/006; G03B 17/561;  
F16M 11/18; F16M 13/022; B64C  
39/024; B64C 2201/123; B64D 47/08  
See application file for complete search history.

(56) **References Cited**

**U.S. PATENT DOCUMENTS**

D638,871 S \* 5/2011 Bergstrom ..... D16/203  
D661,719 S \* 6/2012 Katori ..... D16/203

D691,187 S \* 10/2013 Seo ..... D16/203  
D702,274 S \* 4/2014 Qian ..... D16/203  
9,004,785 B1 \* 4/2015 Mohan ..... G03B 17/561  
348/143  
D747,754 S \* 1/2016 Smith ..... D16/203  
D748,710 S \* 2/2016 Bergstrom ..... D16/203  
D810,170 S \* 2/2018 Geng ..... D16/203  
D823,369 S \* 7/2018 Wang ..... D16/203  
D838,760 S \* 1/2019 Ahman ..... D16/203  
10,175,562 B2 \* 1/2019 Parisi ..... G03B 17/561  
D848,504 S \* 5/2019 Ahman ..... D16/203  
2001/0015765 A1 \* 8/2001 Marchesini ..... G08B 13/19619  
348/373  
2008/0170121 A1 \* 7/2008 Su ..... G08B 13/19619  
348/143  
2010/0013922 A1 \* 1/2010 Cheng ..... G08B 13/19619  
348/143

(Continued)

*Primary Examiner* — Sandra S Snapp

*Assistant Examiner* — Ieisha N Price

(74) *Attorney, Agent, or Firm* — Blank Rome LLP

(57) **CLAIM**

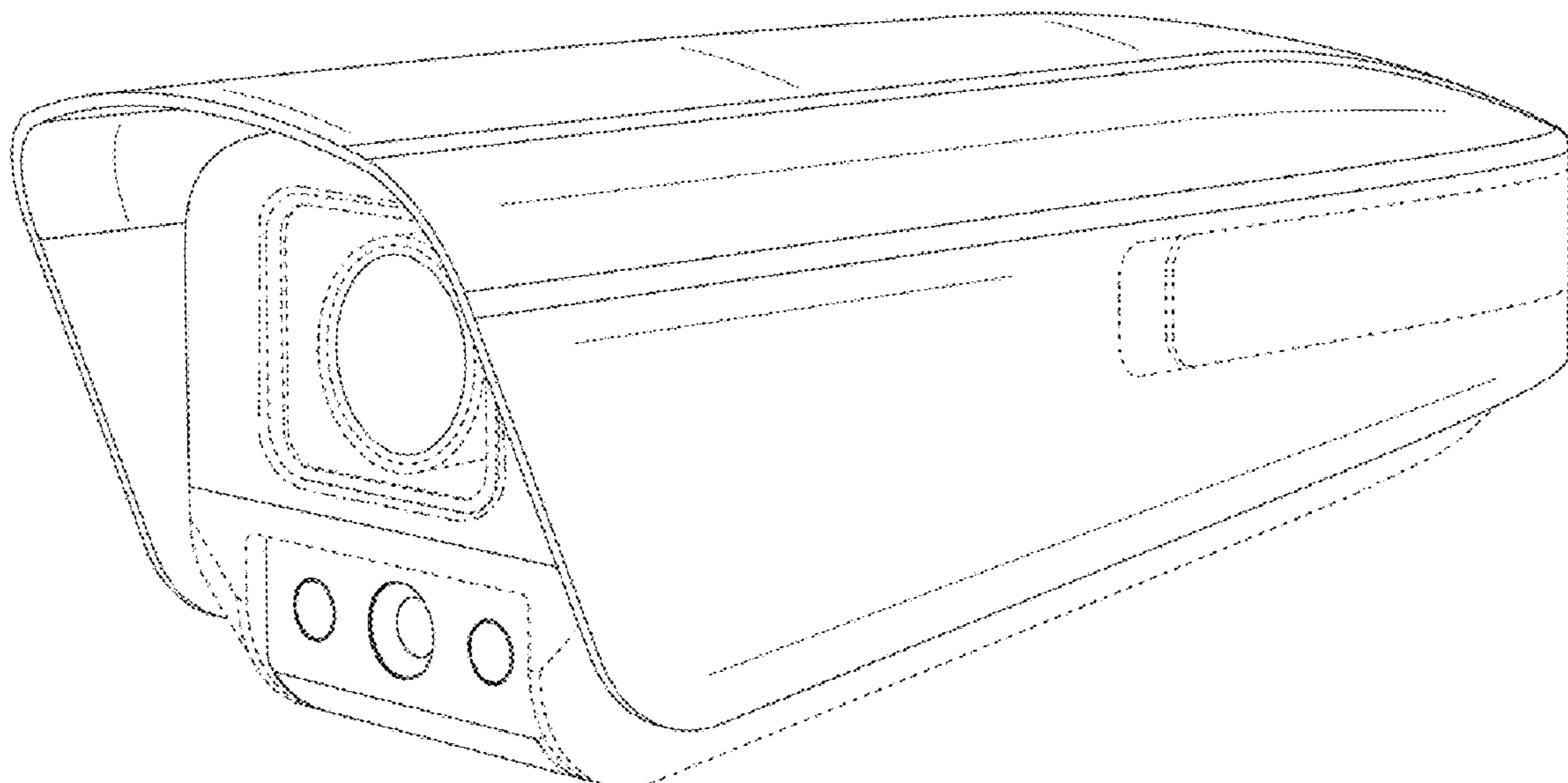
The ornamental design for a camera, as shown and described.

**DESCRIPTION**

FIG. 1 is a front view of a camera showing our new design. FIG. 2 is a rear view of our new design shown in FIG. 1. FIG. 3 is a left-side view of our new design shown in FIG. 1. FIG. 4 is a right-side view of our new design shown in FIG. 1. FIG. 5 is a top view of our new design shown in FIG. 1. FIG. 6 is a bottom view of our new design shown in FIG. 1. FIG. 7 is a perspective view of our new design shown in FIG. 1.

The broken lines in the drawings illustrate portions of the camera and form no part of the claimed design.

**1 Claim, 3 Drawing Sheets**



(56)

**References Cited**

U.S. PATENT DOCUMENTS

2013/0070102 A1\* 3/2013 Gustafson ..... H04N 5/33  
348/164  
2014/0198208 A1\* 7/2014 Neufeld ..... H04N 7/18  
348/143  
2014/0267715 A1\* 9/2014 Kemege ..... G02B 27/0006  
348/143  
2015/0070494 A1\* 3/2015 Hess, Jr. .... H04N 17/002  
348/143

\* cited by examiner

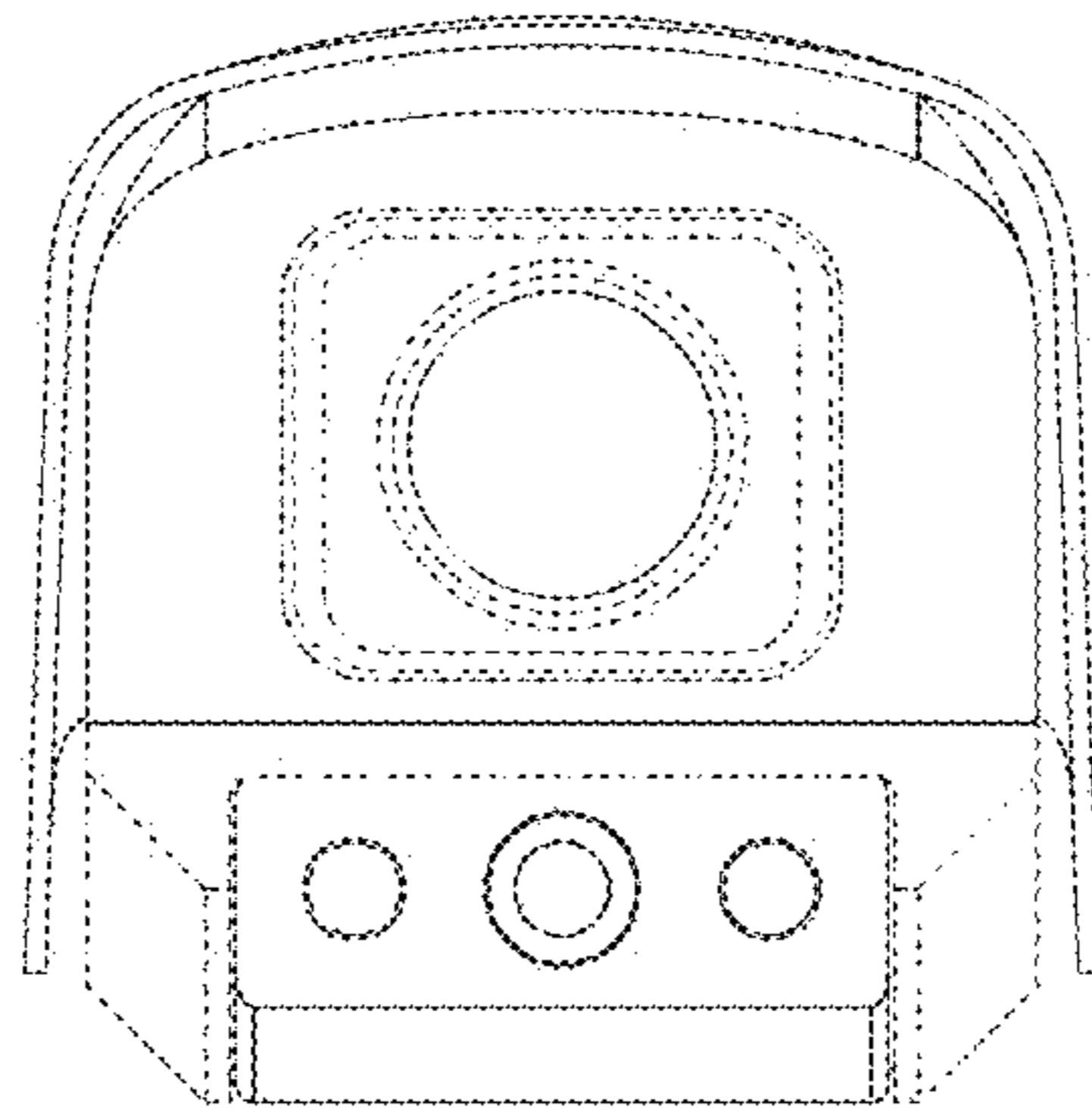


FIG. 1

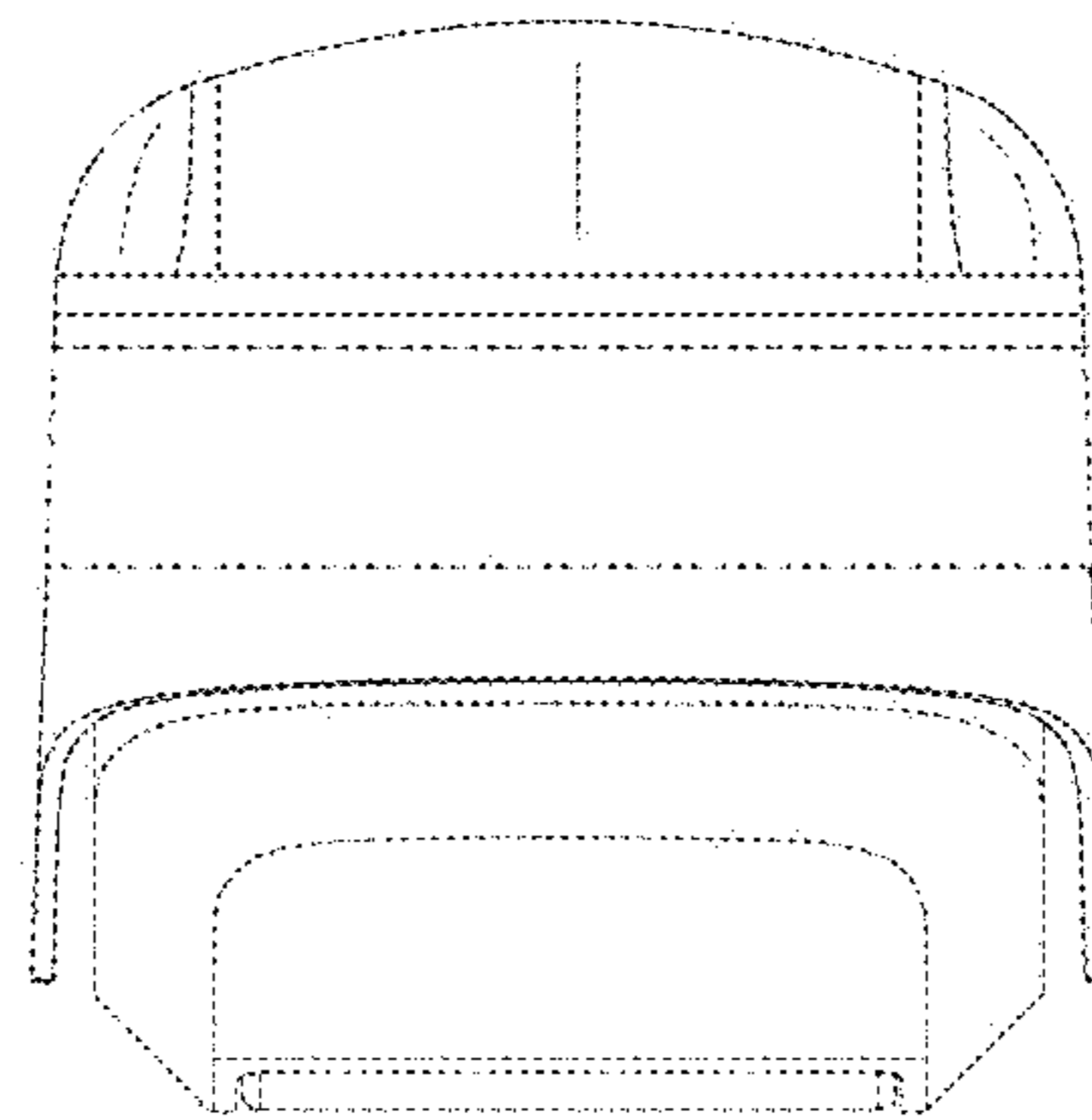


FIG. 2

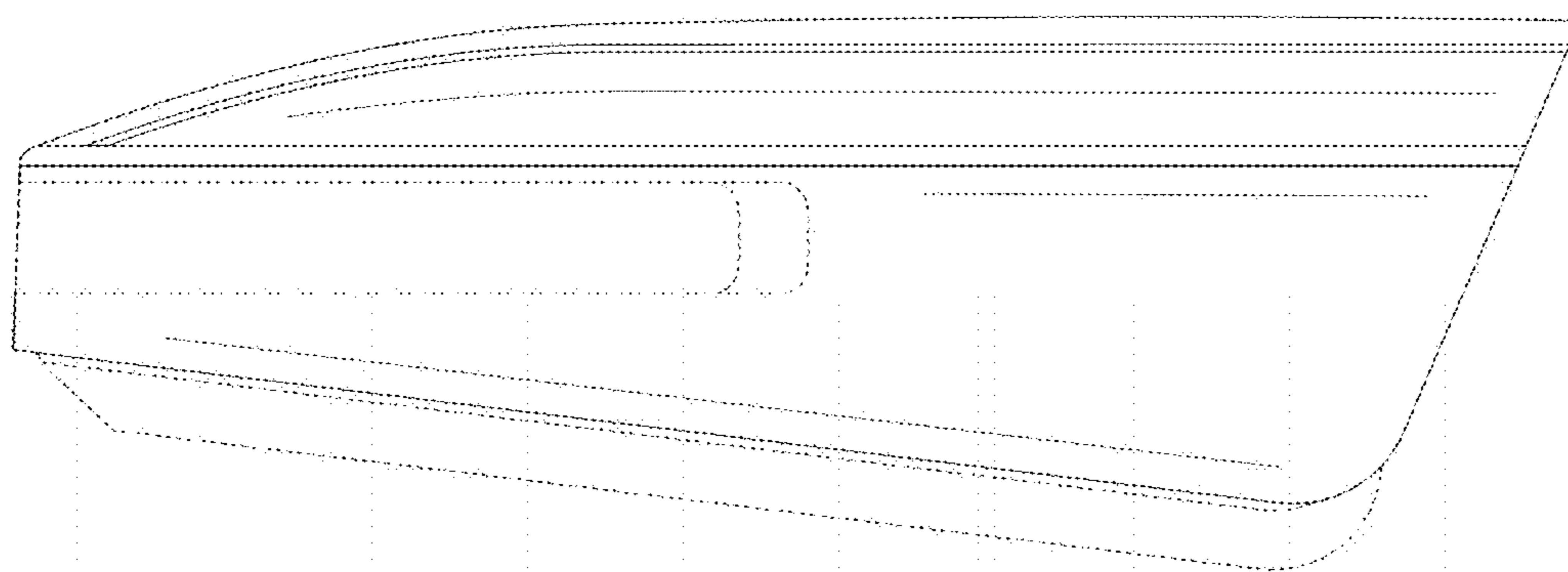


FIG. 3

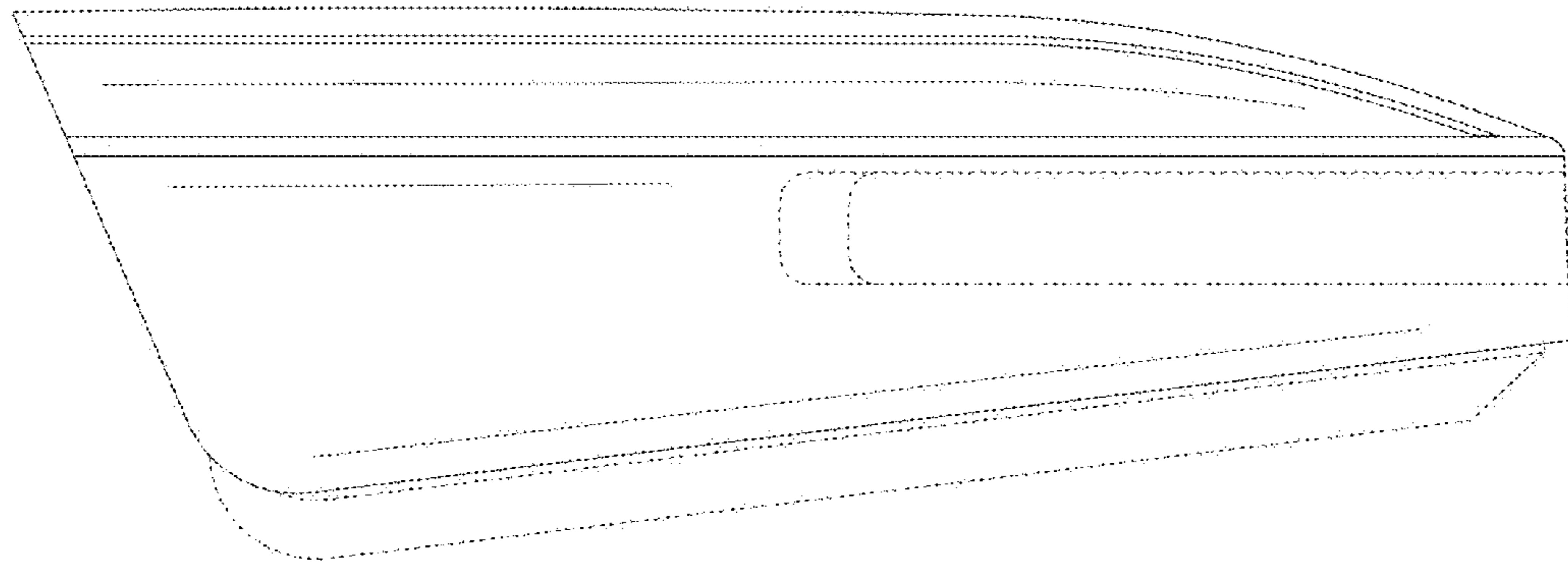


FIG. 4

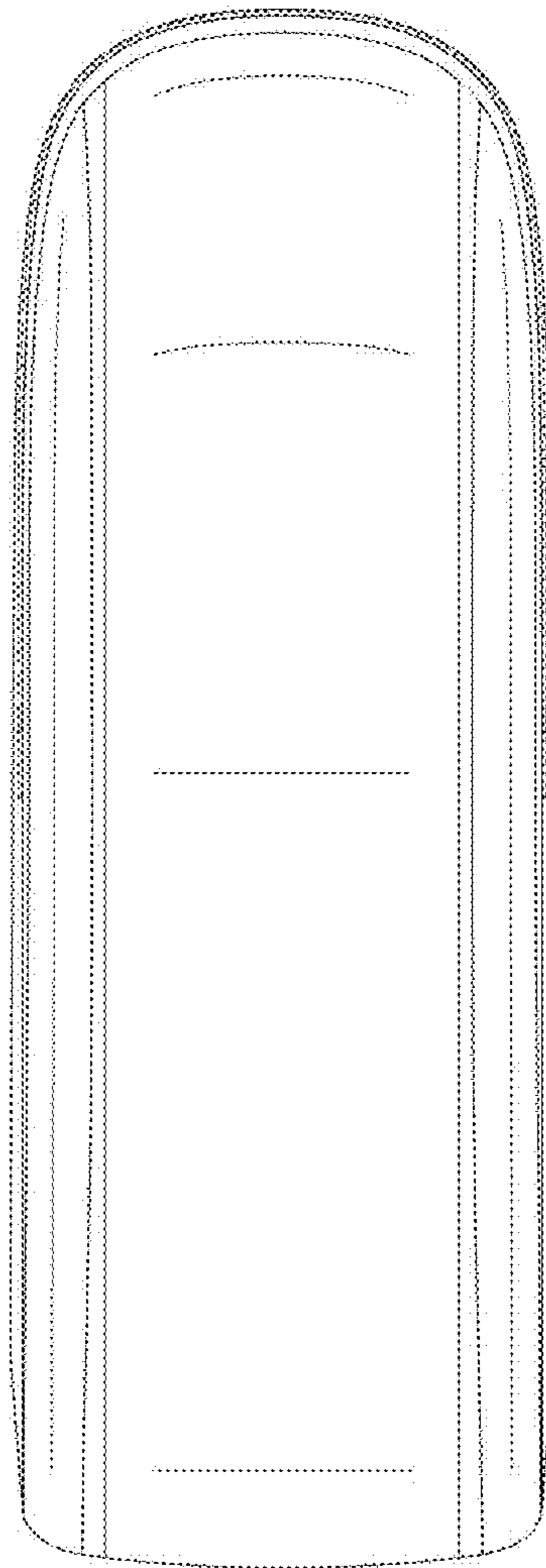


FIG. 5

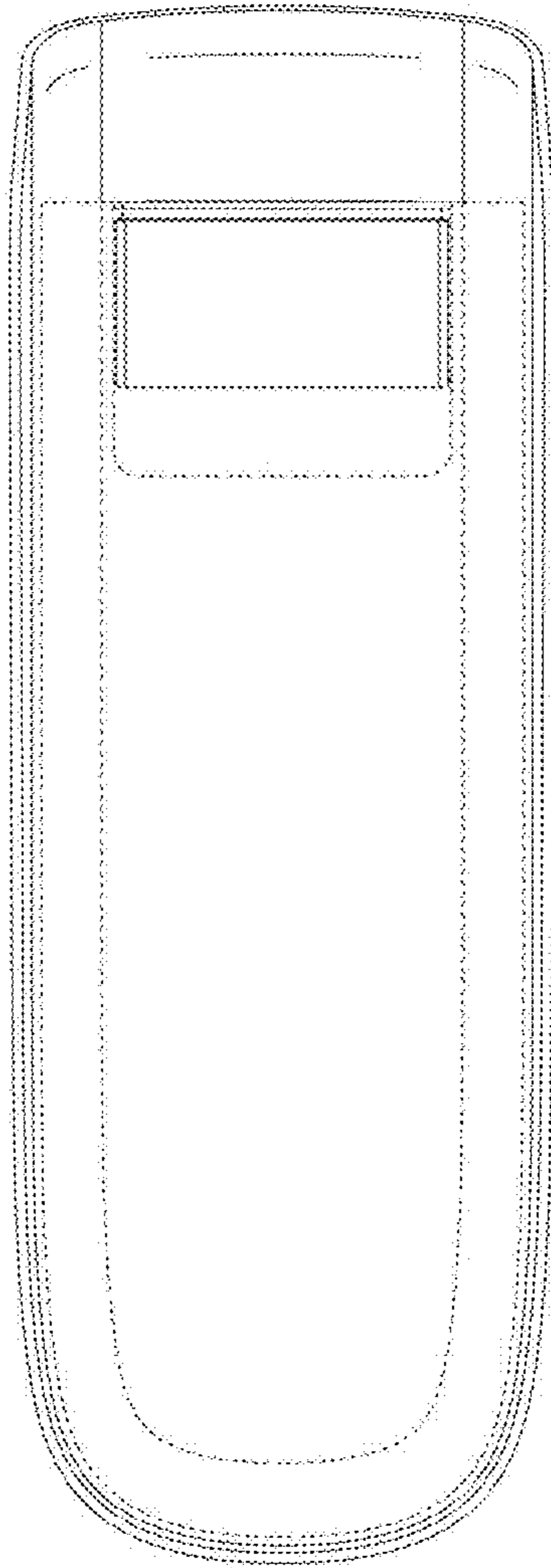


FIG. 6

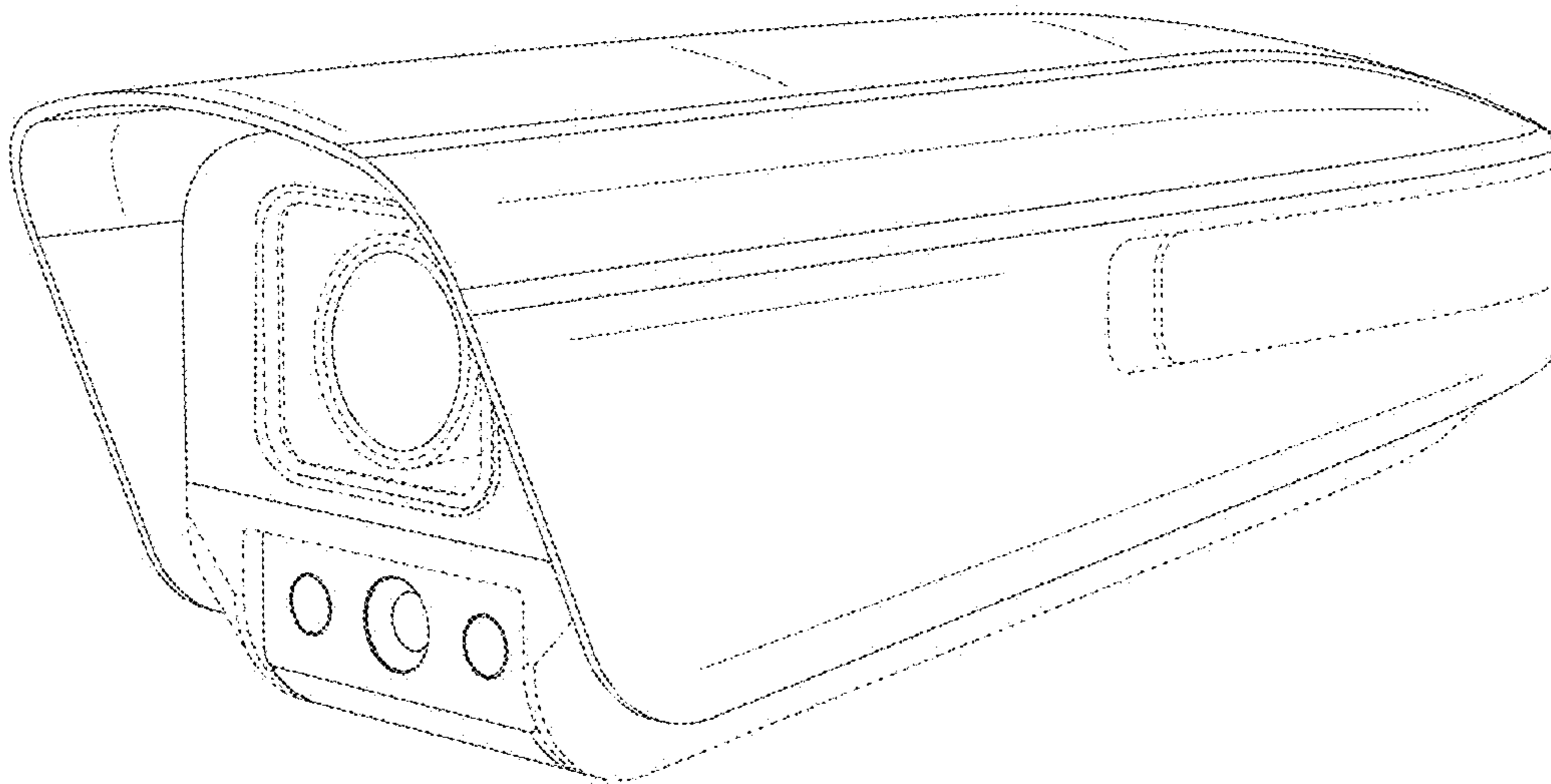


FIG. 7