



US00D892889S

(12) **United States Design Patent**
Random et al.

(10) **Patent No.:** **US D892,889 S**

(45) **Date of Patent:** **** Aug. 11, 2020**

(54) **INDUSTRIAL ROBOT**

(71) Applicant: **Mitsubishi Electric Corporation,**
Tokyo (JP)

(72) Inventors: **Ian Emerson Random,** Tokyo (JP);
Yusuke Dosho, Tokyo (JP); **Makito**
Hiraike, Tokyo (JP)

(73) Assignee: **Mitsubishi Electric Corporation,**
Tokyo (JP)

(**) Term: **15 Years**

(21) Appl. No.: **29/694,649**

(22) Filed: **Jun. 12, 2019**

(30) **Foreign Application Priority Data**

Feb. 13, 2019 (JP) 2019-002872

(51) **LOC (12) Cl.** **15-99**

(52) **U.S. Cl.**
USPC **D15/199**

(58) **Field of Classification Search**
USPC D15/199; D21/578-583, 621, 622
CPC . B25J 13/06; B25J 15/10; B25J 15/086; B25J
15/0009; G05B 19/409; G05B
2219/36162; G05B 2219/39443; G05B
2219/39446; Y10S 901/38; Y10S 901/39
See application file for complete search history.

(56) **References Cited**

U.S. PATENT DOCUMENTS

D624,104 S * 9/2010 Miyake 15/99
D629,030 S * 12/2010 Long D15/199
D638,044 S * 5/2011 Ikoma D15/199
D650,820 S * 12/2011 Long D15/199
D677,294 S * 3/2013 Long D15/199
D678,378 S * 3/2013 Selic D15/199
D681,708 S * 5/2013 Miyake D15/199

D707,277 S * 6/2014 Olsson D15/199
D713,436 S * 9/2014 Liu D15/199
D774,579 S * 12/2016 Oda D15/199
D776,735 S * 1/2017 Zhu D15/199
D800,813 S * 10/2017 Zhu D15/199
D831,087 S * 10/2018 Morimoto D15/199
D841,707 S * 2/2019 Yamamoto D15/199
D852,863 S * 7/2019 Dosho D15/199
D855,095 S * 7/2019 Wang D15/199
D856,390 S * 8/2019 Morimoto D15/199
D860,283 S * 9/2019 Wang D15/199
D865,828 S * 11/2019 Bogart D15/199
D870,169 S * 12/2019 Dosho D15/199
D877,222 S * 3/2020 Abe D15/199
D877,223 S * 3/2020 Abe D15/199
D877,787 S * 3/2020 Kinoshita D15/199
D878,443 S * 3/2020 Abe D15/199
2005/0092122 A1 * 5/2005 Markert B25J 19/0075
74/490.01
2005/0126327 A1 * 6/2005 Markert B25J 19/0054
74/490.02

(Continued)

Primary Examiner — Patricia A Palasik

(74) *Attorney, Agent, or Firm* — Studebaker & Brackett
PC

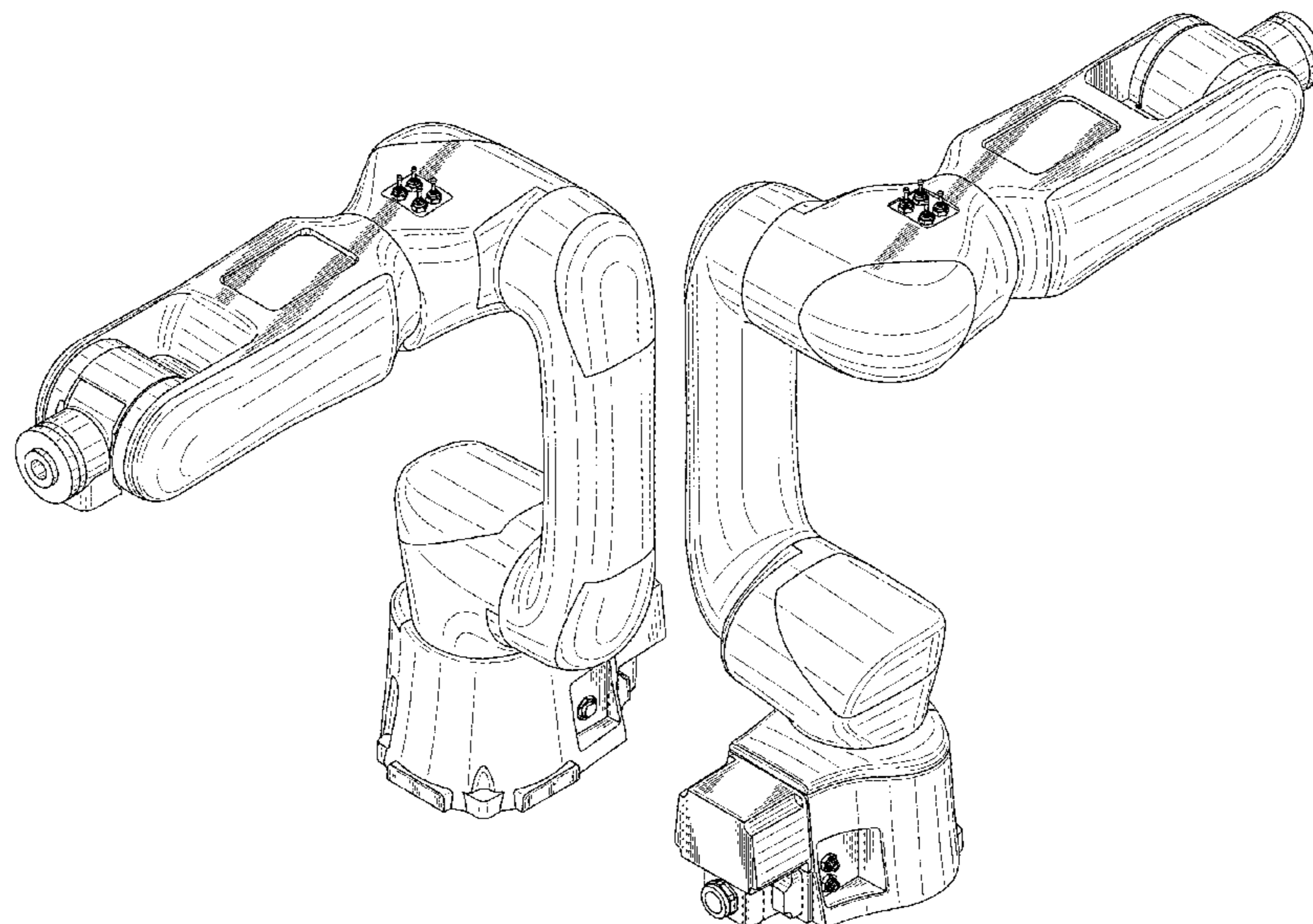
(57) **CLAIM**

The ornamental design for an industrial robot, as shown and described.

DESCRIPTION

FIG. 1 is a front, top, and right side perspective view of an industrial robot, showing our new design;
FIG. 2 is a rear, top, and left side perspective view thereof;
FIG. 3 is a front view thereof;
FIG. 4 is a rear view thereof;
FIG. 5 is a top view thereof;
FIG. 6 is a bottom view thereof;
FIG. 7 is a right side view thereof; and,
FIG. 8 is a left side view thereof.

1 Claim, 8 Drawing Sheets



(56)

References Cited

U.S. PATENT DOCUMENTS

2010/0145520 A1* 6/2010 Gerio G05B 19/425
700/264
2016/0297067 A1* 10/2016 Kogan B25J 13/06

* cited by examiner

FIG. 1

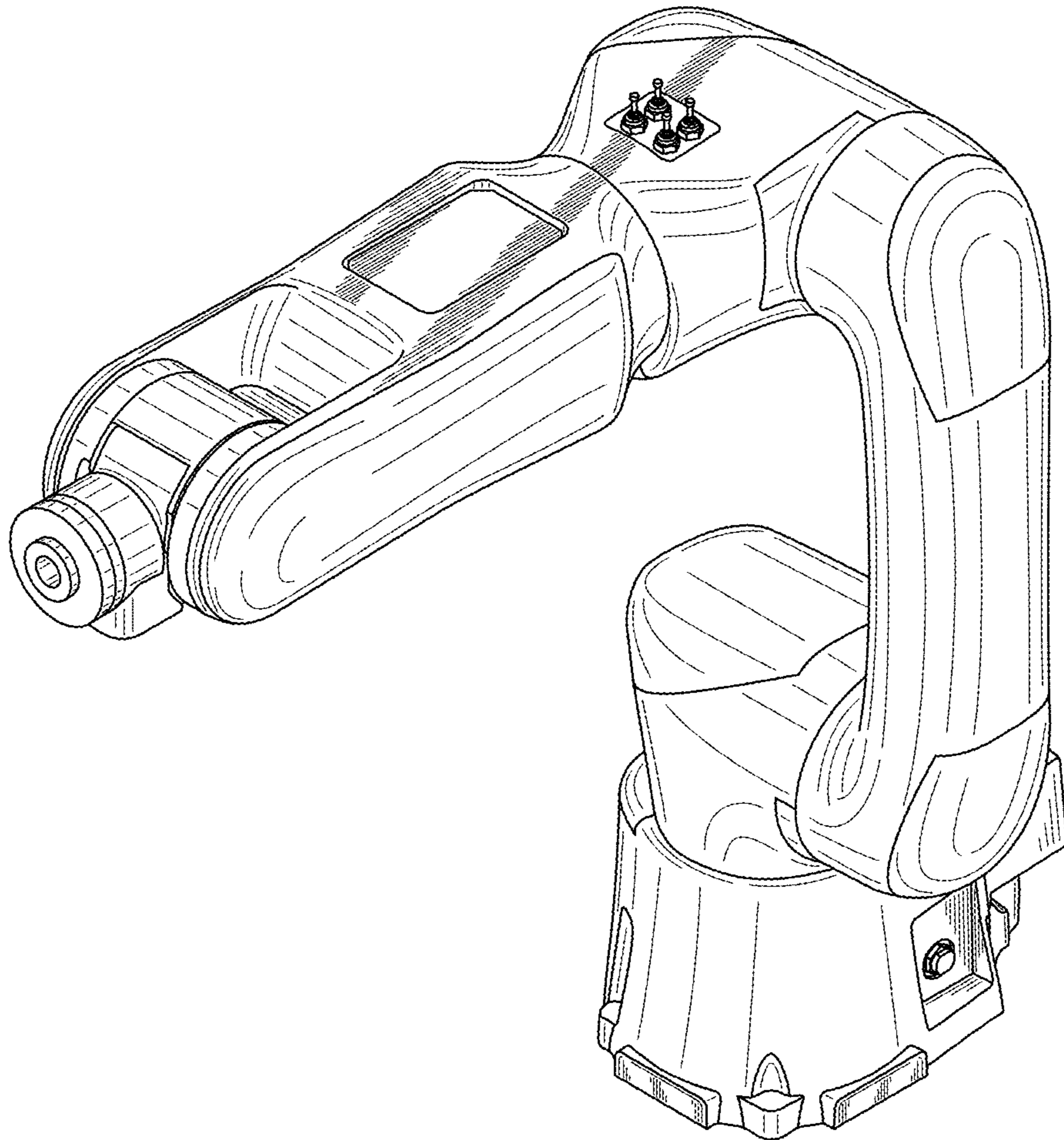


FIG. 2

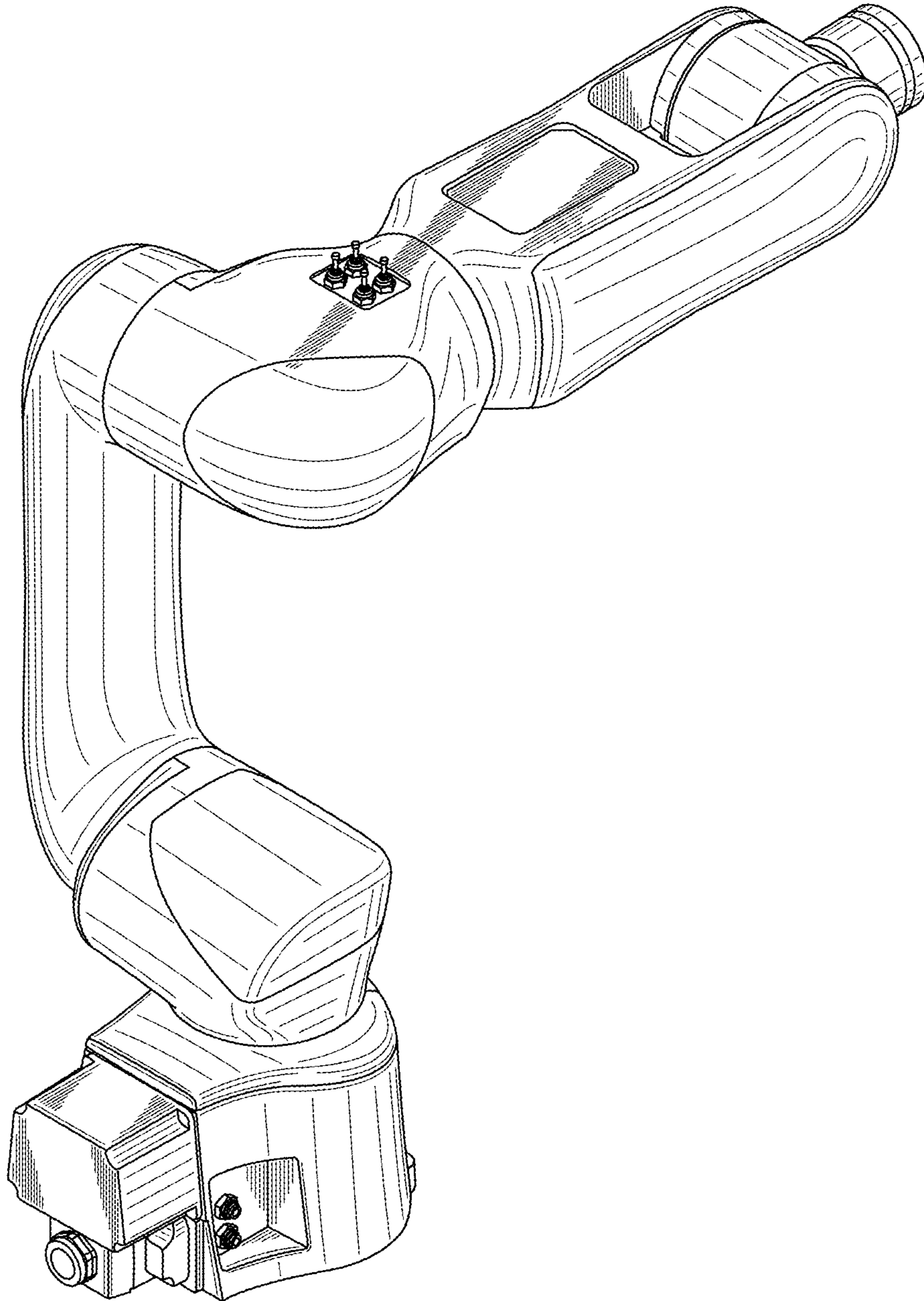


FIG. 3

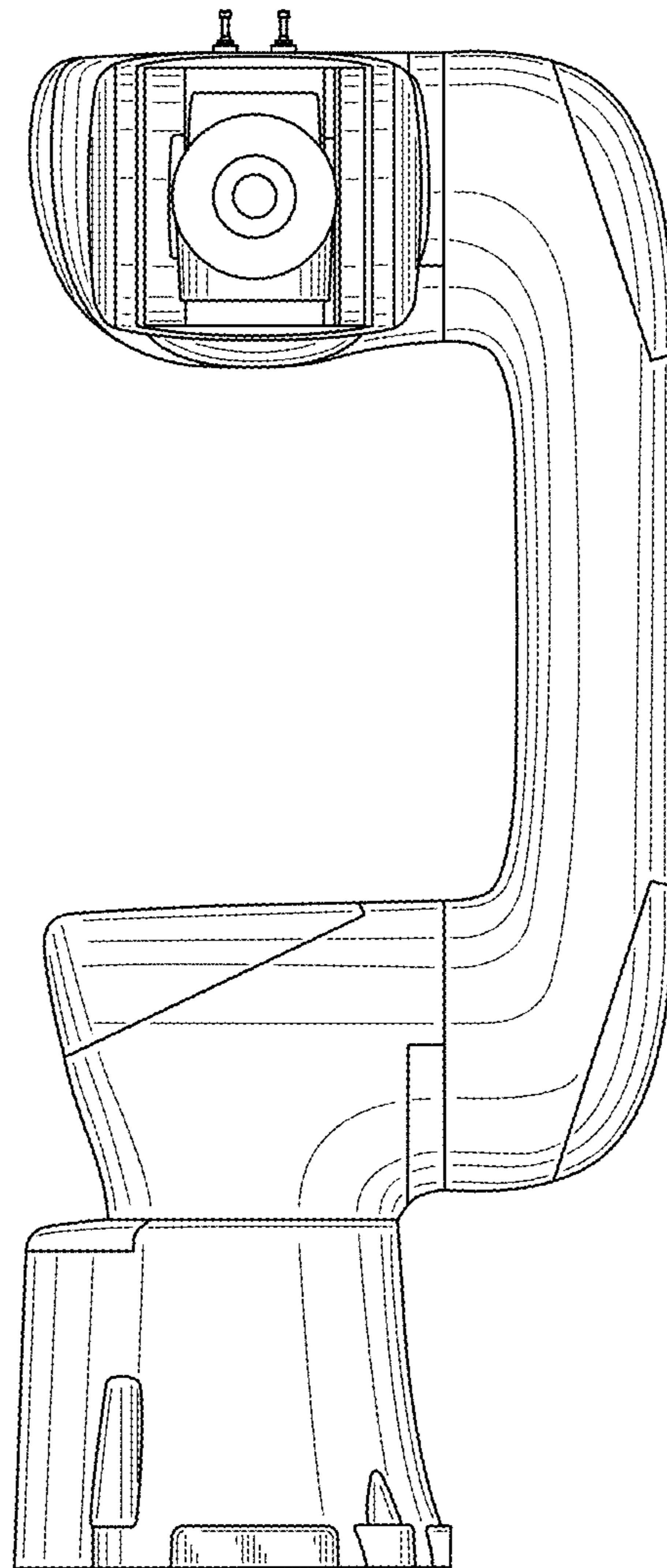


FIG. 4

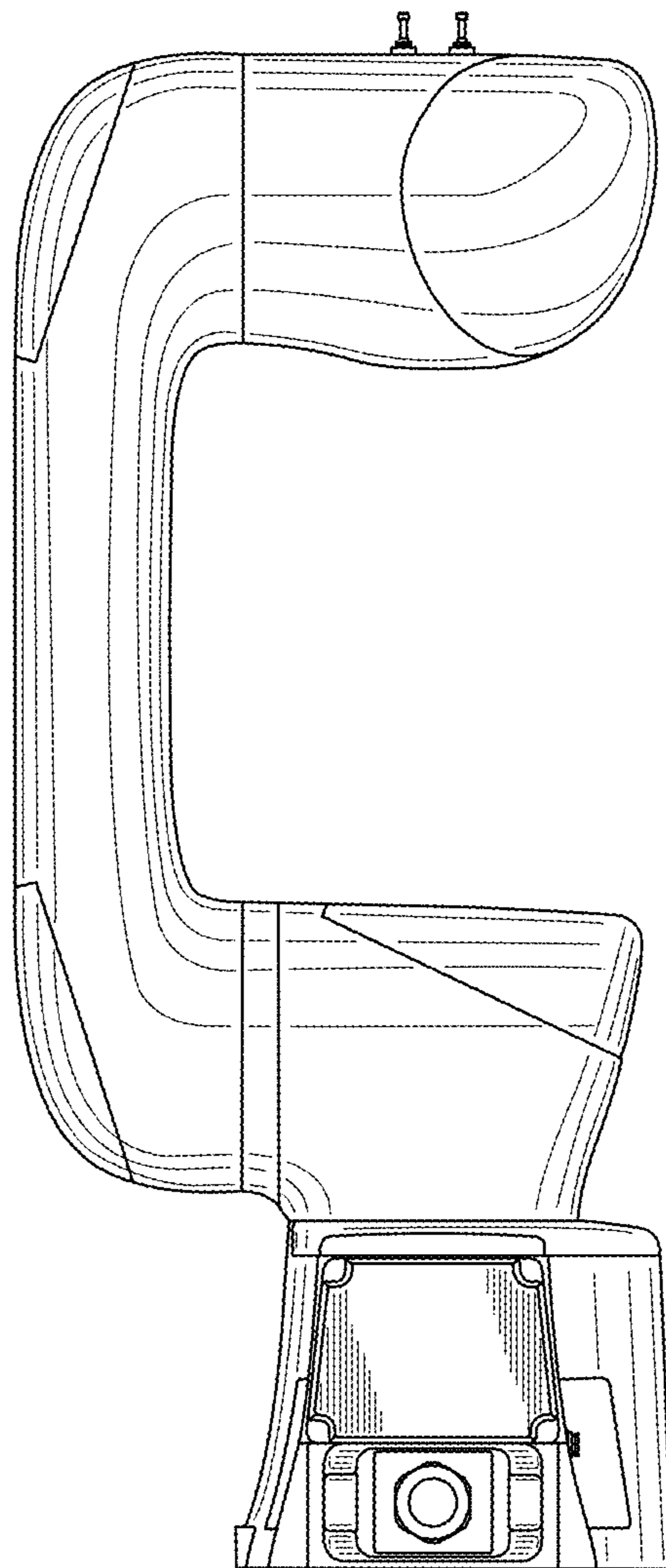


FIG. 5

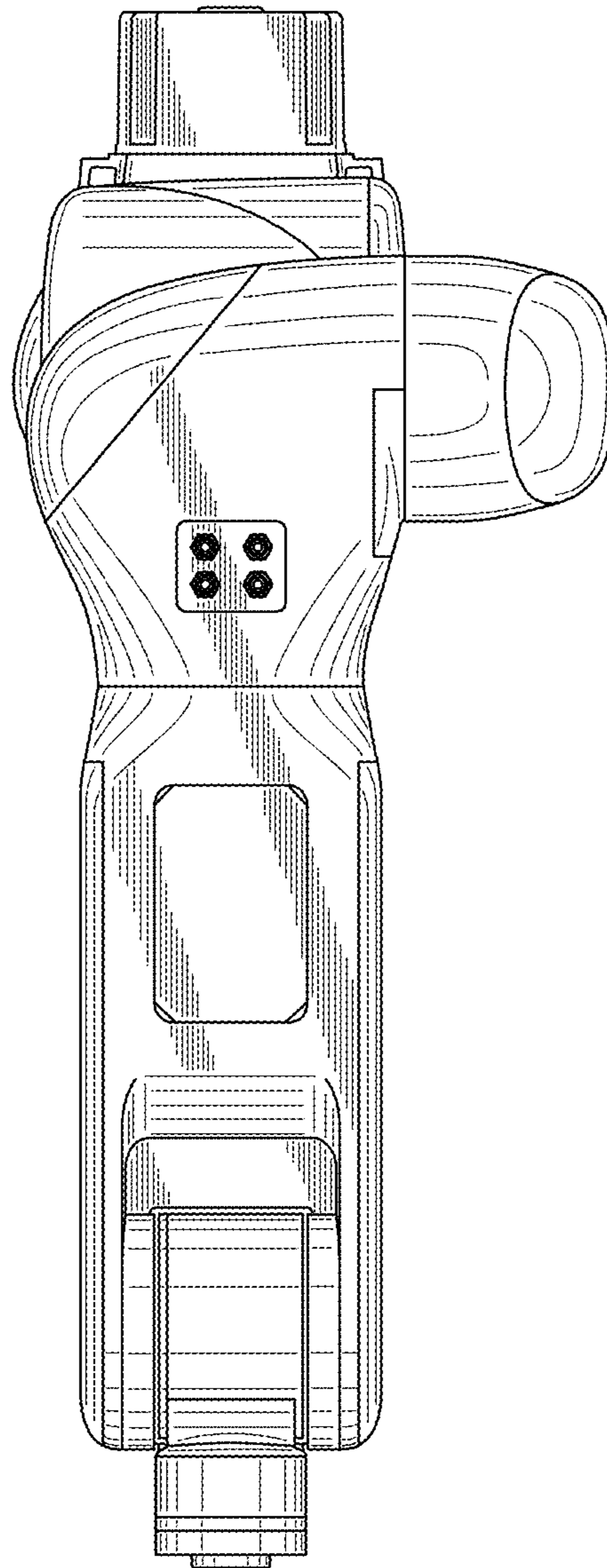


FIG. 6

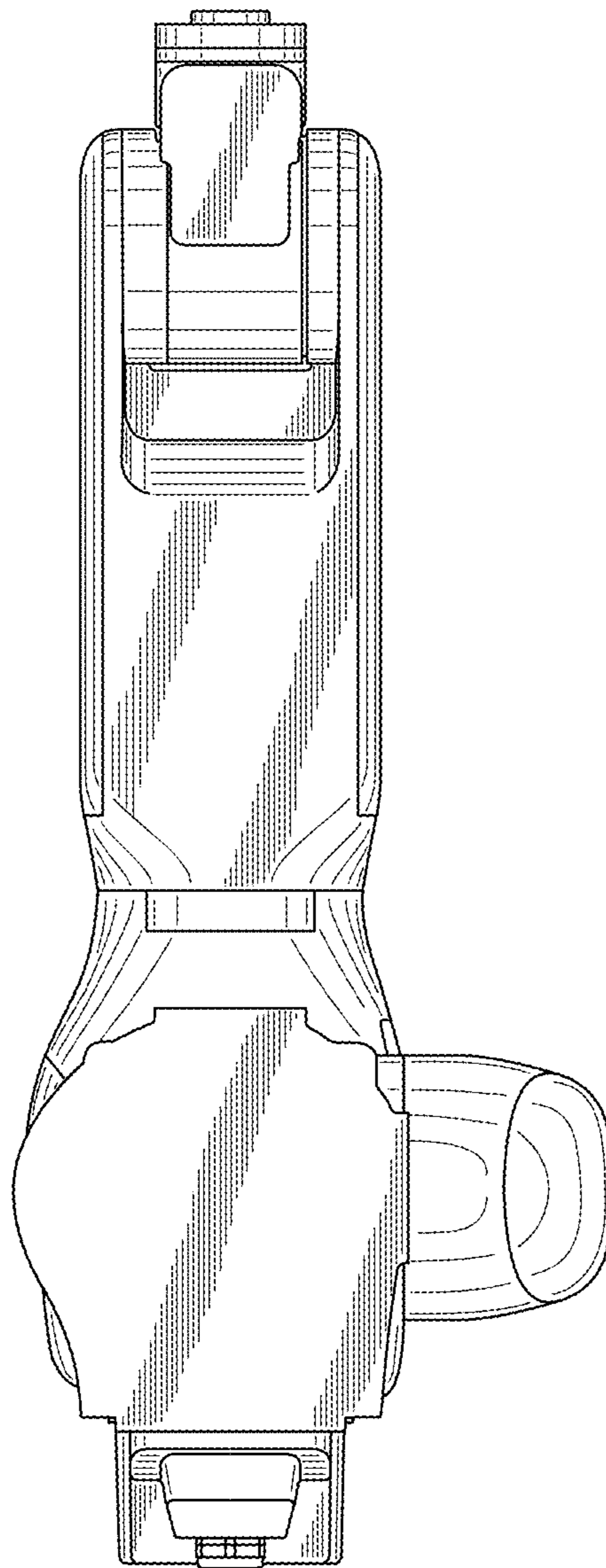


FIG. 7

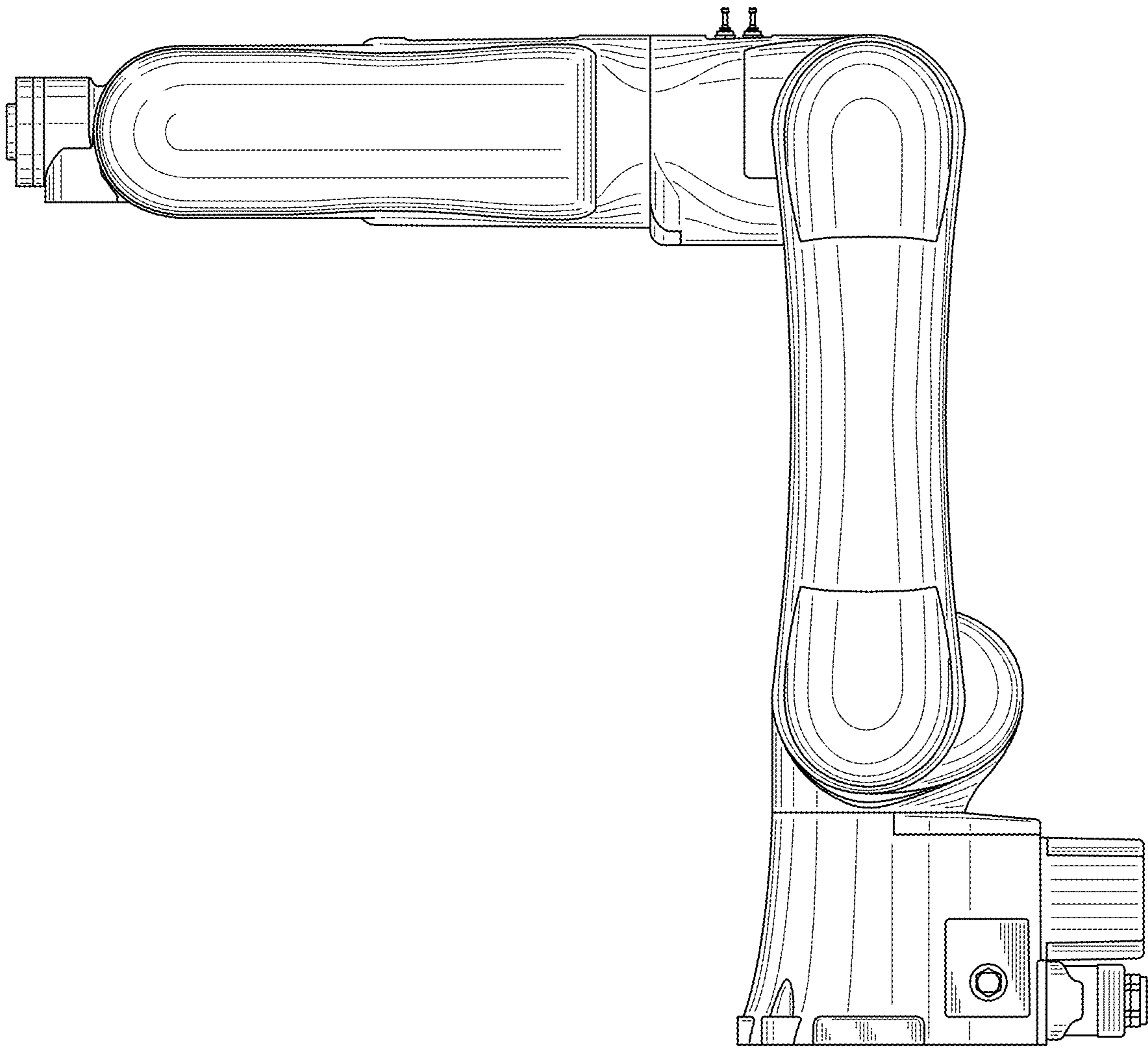


FIG. 8

