



US00D892885S

(12) **United States Design Patent** (10) **Patent No.:** **US D892,885 S**
Corkum et al. (45) **Date of Patent:** **** Aug. 11, 2020**

(54) **ROBOTIC ARM SEGMENT**
(71) Applicant: **Carbon Robotics, Inc.**, San Francisco (CA)
(72) Inventors: **Daniel Corkum**, San Francisco, CA (US); **Rosanna Myers**, San Francisco, CA (US)
(73) Assignee: **Carbon Robotics, Inc.**, San Francisco, CA (US)

D800,813 S * 10/2017 Zhu D15/199
D831,087 S * 10/2018 Morimoto D15/199
D841,707 S * 2/2019 Yamamoto D15/199

(Continued)

Primary Examiner — Patricia A Palasik
(74) *Attorney, Agent, or Firm* — Run8 Patent Group, LLC; Peter Miller

(57) **CLAIM**

We claim the ornamental design for a robotic arm segment, as shown and described.

DESCRIPTION

(**) Term: **15 Years**
(21) Appl. No.: **29/690,055**
(22) Filed: **May 3, 2019**
(51) **LOC (12) Cl.** **15-99**
(52) **U.S. Cl.**
USPC **D15/199**
(58) **Field of Classification Search**
USPC D15/199; D21/578–583, 621, 622
CPC . B25J 13/06; B25J 15/10; B25J 15/086; B25J 15/0009; G05B 19/409; G05B 2219/36162; G05B 2219/39443; G05B 2219/39446; Y10S 901/38; Y10S 901/39
See application file for complete search history.

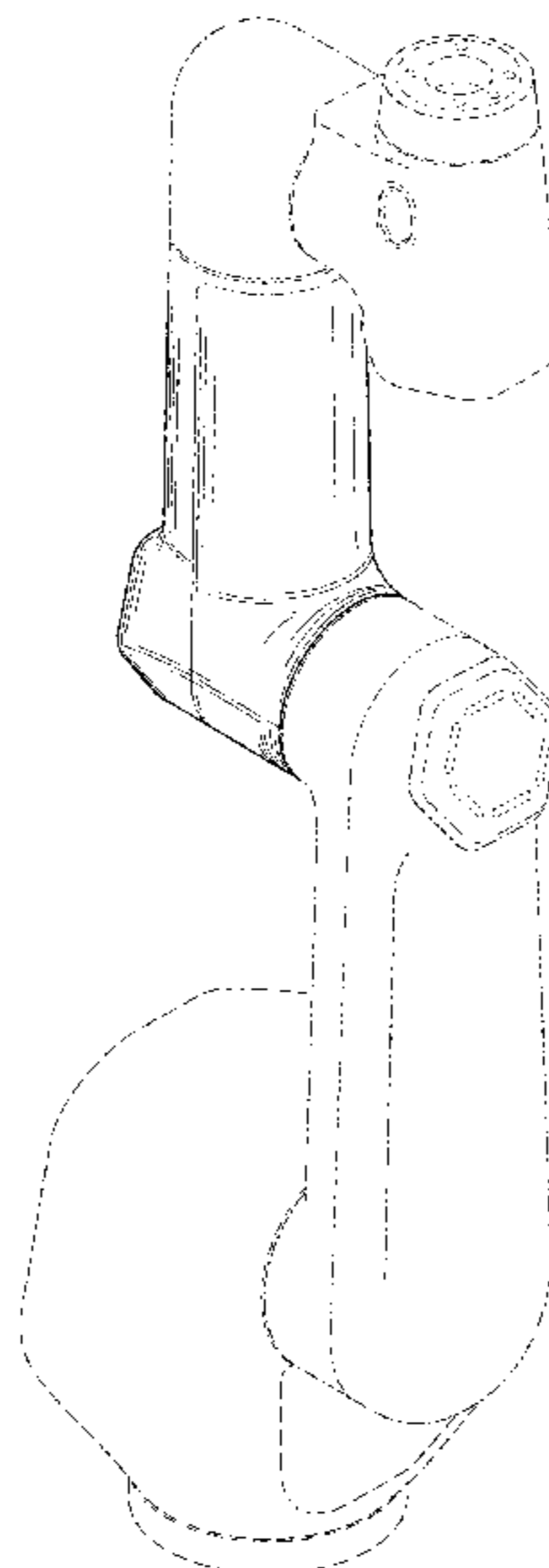
FIG. 1 is a right-hand view of a robotic arm segment in a first position.
FIG. 2 is a left-hand view of the robotic arm segment in the first position.
FIG. 3 is an upper-right-rear isometric view of the robotic arm segment in the first position.
FIG. 4 is an expanded right-hand view of the robotic arm segment in the first position.
FIG. 5 is a left-hand view of the robotic arm segment in a second position.
FIG. 6 is a right-hand view of the robotic arm segment in the second position.
FIG. 7 is a rear view of the robotic arm segment in the second position.
FIG. 8 is a front view of the robotic arm segment in the second position; and,
FIG. 9 is an upper-left-front isometric view of the robotic arm segment in the second position.
Broken lines in a dash-dash-dash pattern shown in the FIGURES depict environmental structure. Broken lines in a dash-dot-dash pattern shown in the FIGURES depict boundary lines and additional features of the robotic arm segment. Broken lines in a dot-dot-dot pattern shown in the FIGURES depict iconographic features of the robotic arm segment. However, no broken line shown in the FIGURES forms any part of the design claimed in the instant Application.

(56) **References Cited**

U.S. PATENT DOCUMENTS

D624,104 S * 9/2010 Miyake et al. 15/99
D629,030 S * 12/2010 Long D15/199
D638,044 S * 5/2011 Ikoma D15/199
D650,820 S * 12/2011 Long D15/199
D677,294 S * 3/2013 Long D15/199
D678,378 S * 3/2013 Selic D15/199
D681,708 S * 5/2013 Miyake D15/199
D707,277 S * 6/2014 Olsson D15/199
D713,436 S * 9/2014 Liu D15/199
D774,579 S * 12/2016 Oda D15/199
D776,735 S * 1/2017 Zhu D15/199

1 Claim, 7 Drawing Sheets



(56)

References Cited

U.S. PATENT DOCUMENTS

D852,863	S	*	7/2019	Dosho	D15/199
D855,095	S	*	7/2019	Wang	D15/199
D856,390	S	*	8/2019	Morimoto	D15/199
D860,283	S	*	9/2019	Wang	D15/199
D865,828	S	*	11/2019	Bogart	D15/199
D870,169	S	*	12/2019	Dosho	D15/199
D877,222	S	*	3/2020	Abe	D15/199
D877,223	S	*	3/2020	Abe	D15/199
D877,787	S	*	3/2020	Kinoshita	D15/199
D878,443	S	*	3/2020	Abe	D15/199
2005/0092122	A1	*	5/2005	Markert	B25J 19/0075 74/490.01
2005/0126327	A1	*	6/2005	Markert	B25J 19/0054 74/490.02
2010/0145520	A1	*	6/2010	Gerio	G05B 19/425 700/264
2016/0297067	A1	*	10/2016	Kogan	B25J 13/06

* cited by examiner

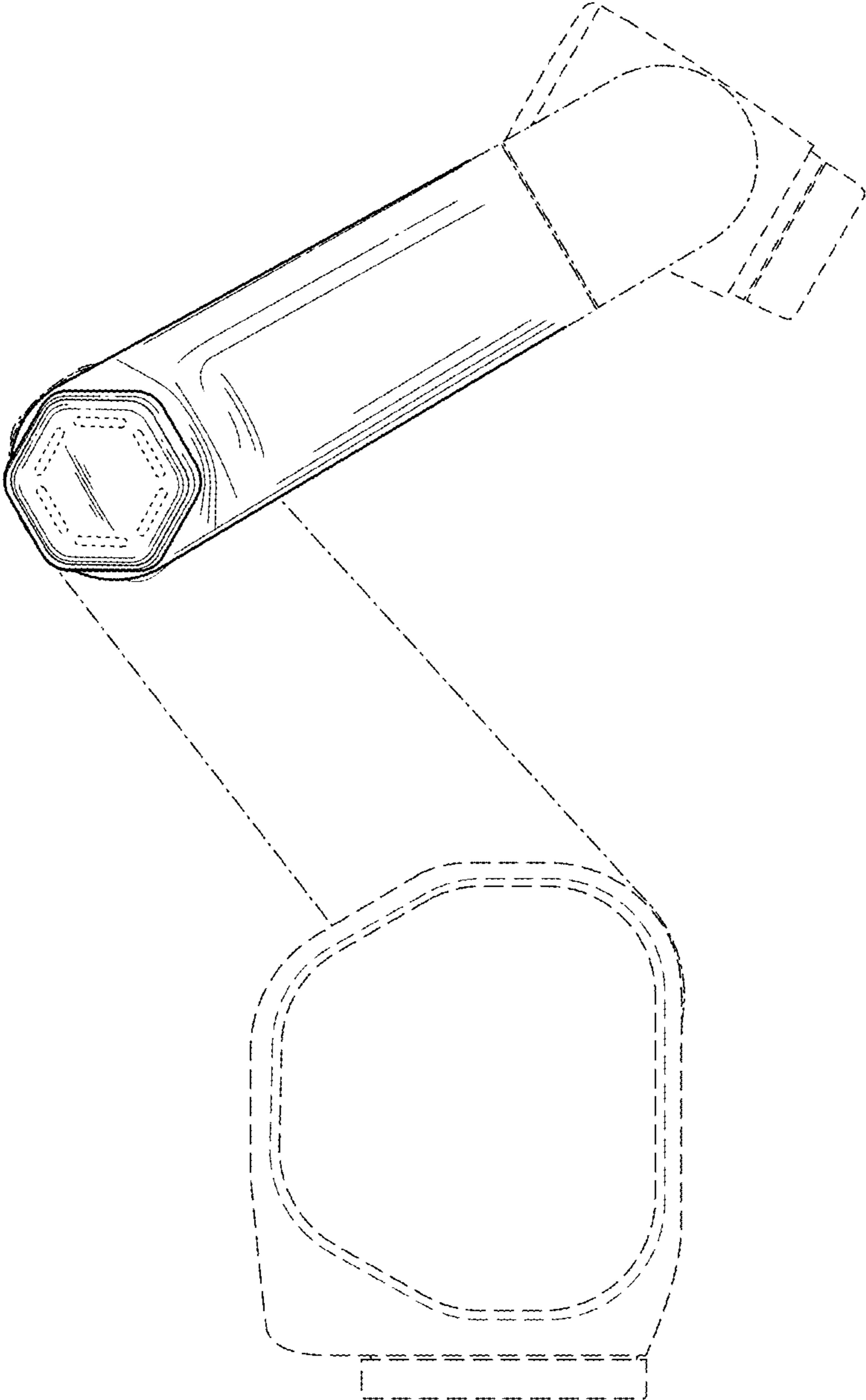


FIG. 1

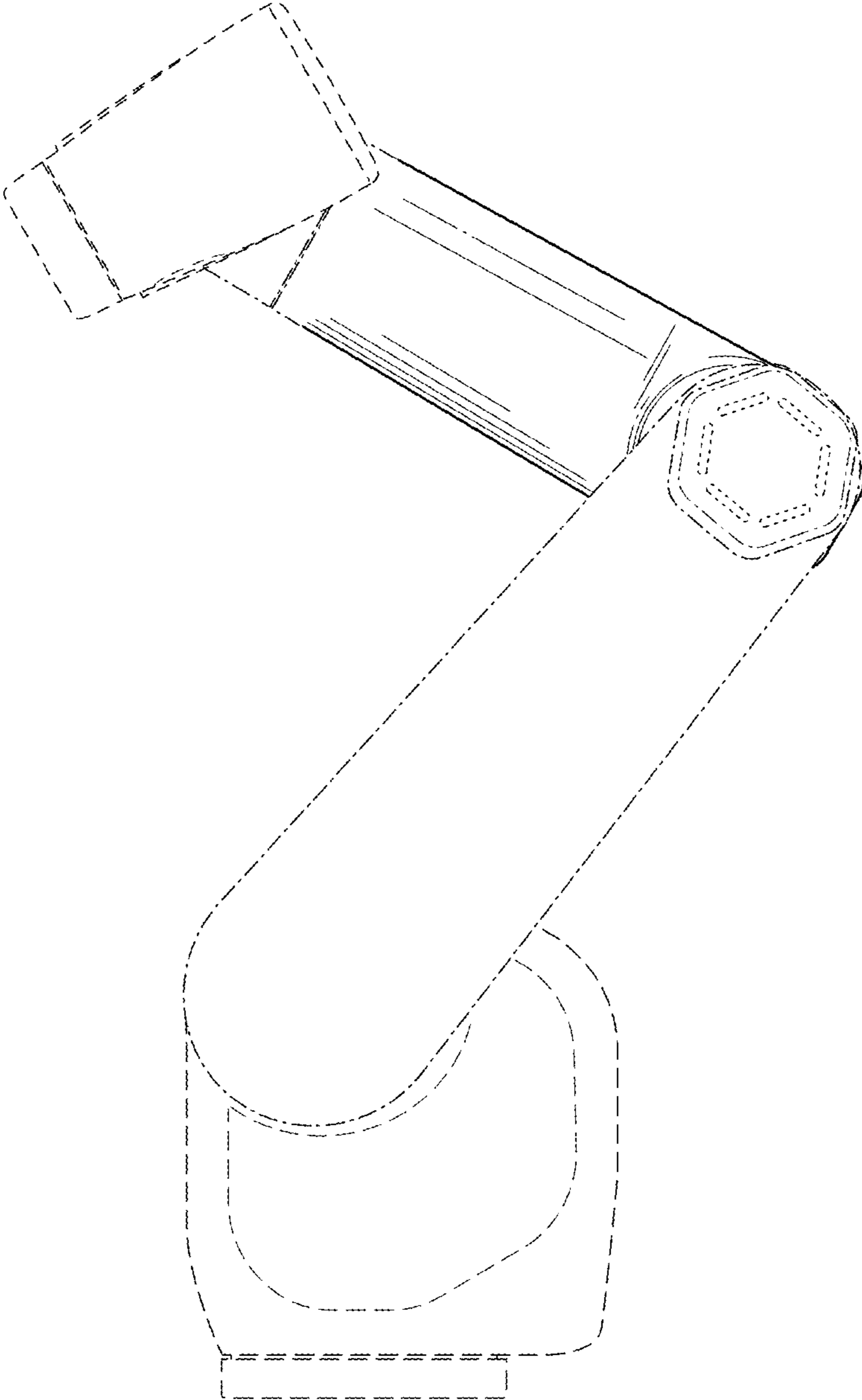


FIG. 2

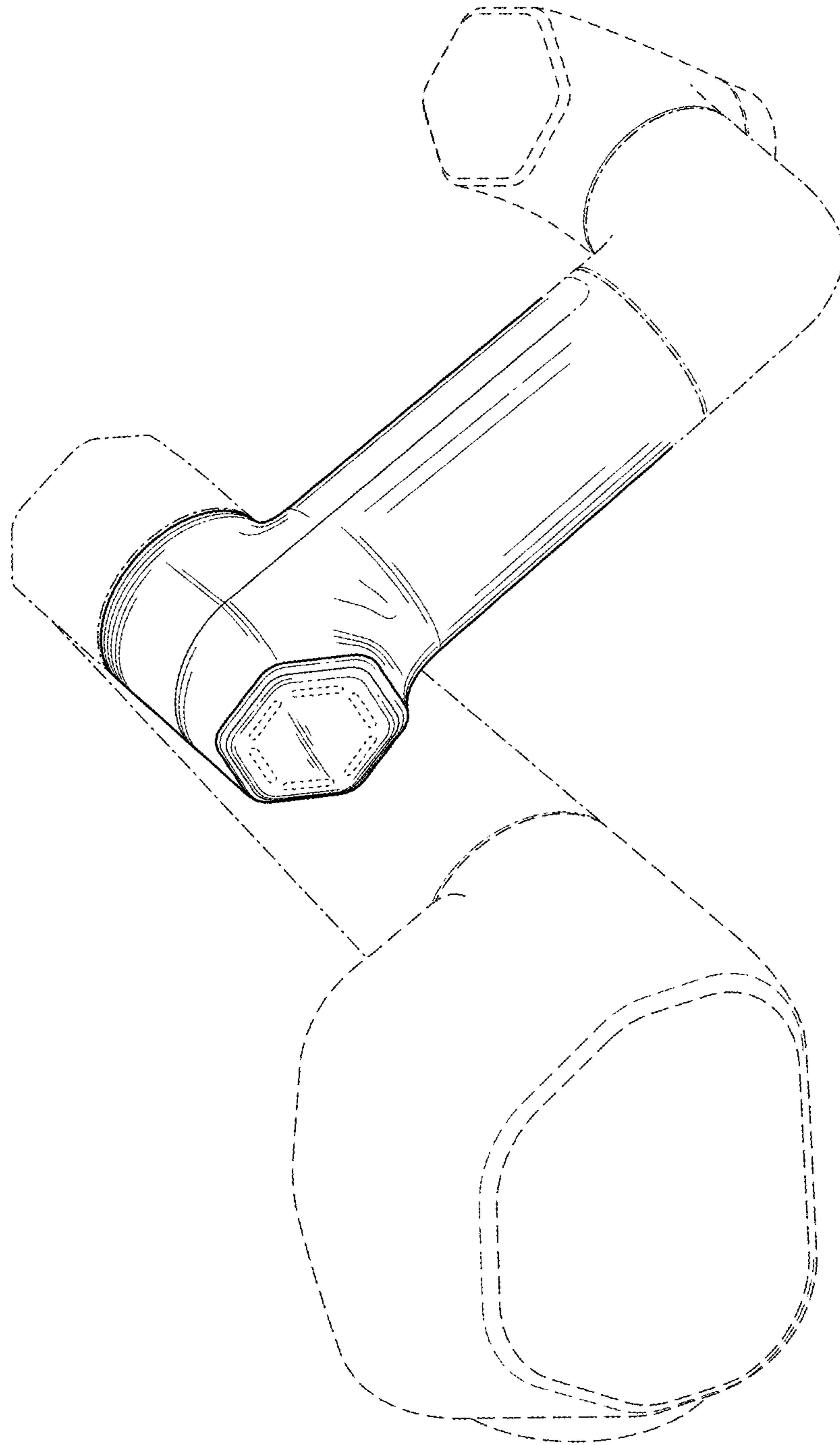


FIG. 3

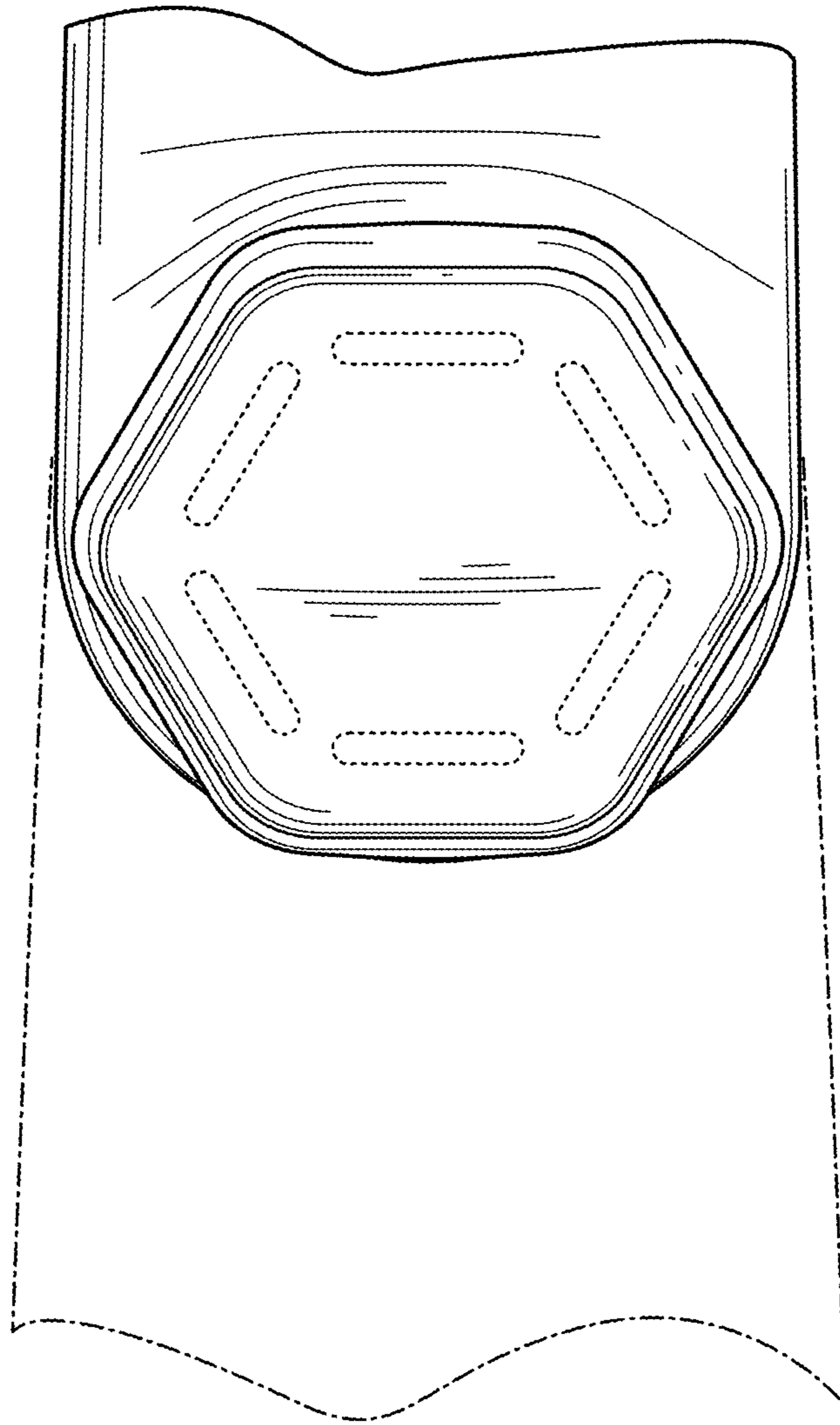


FIG. 4

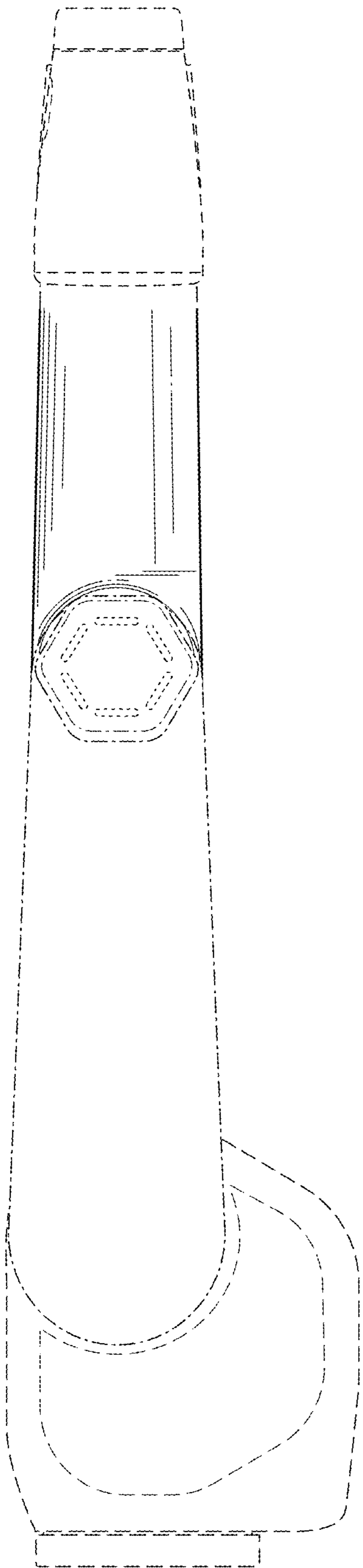


FIG. 5

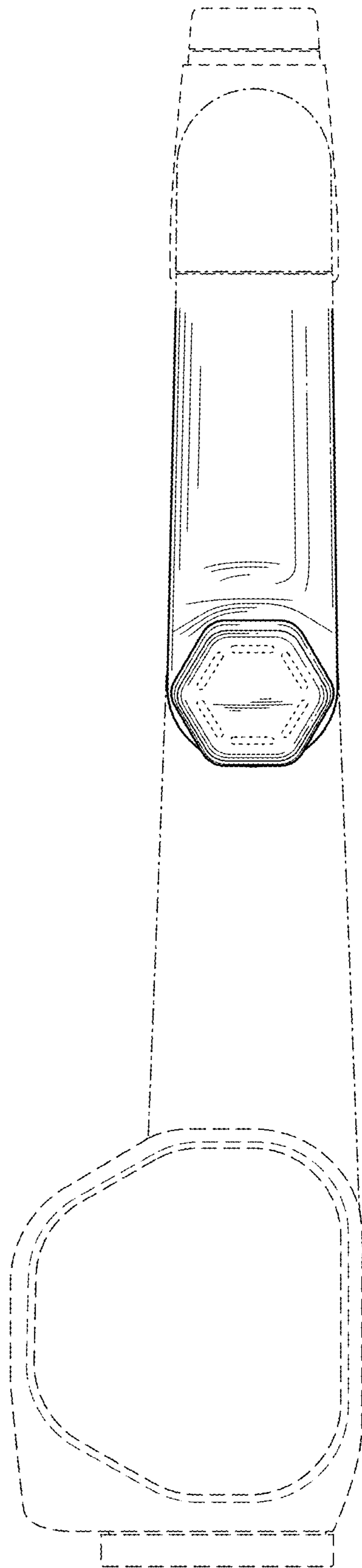


FIG. 6

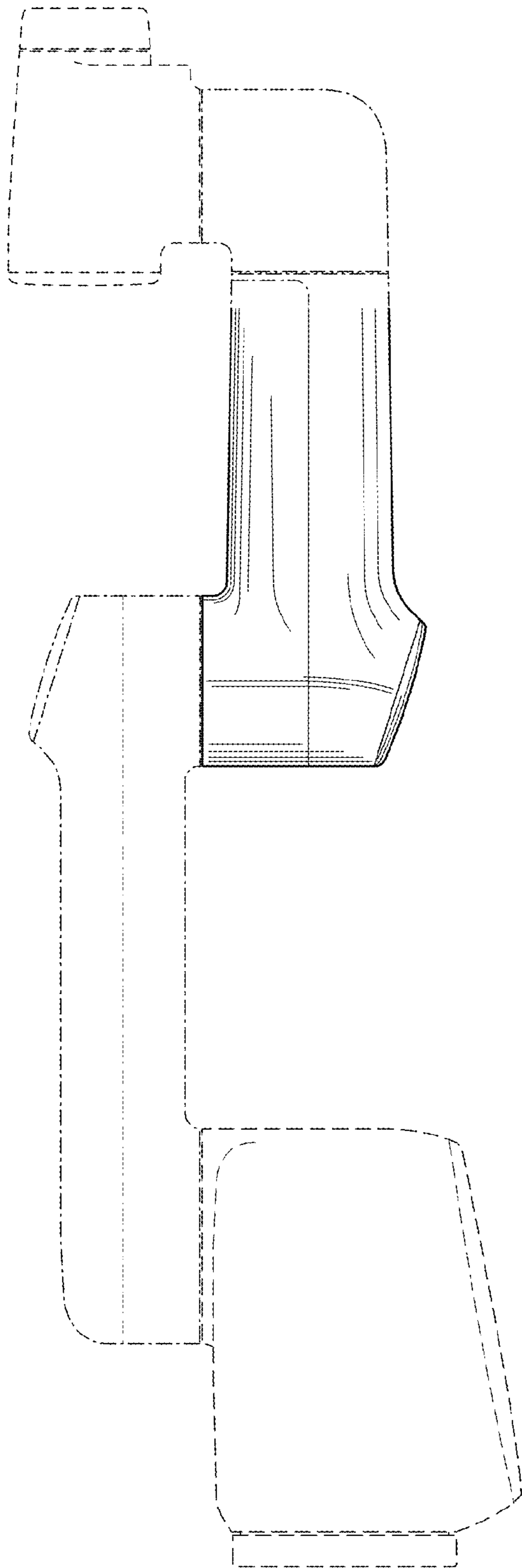


FIG. 7

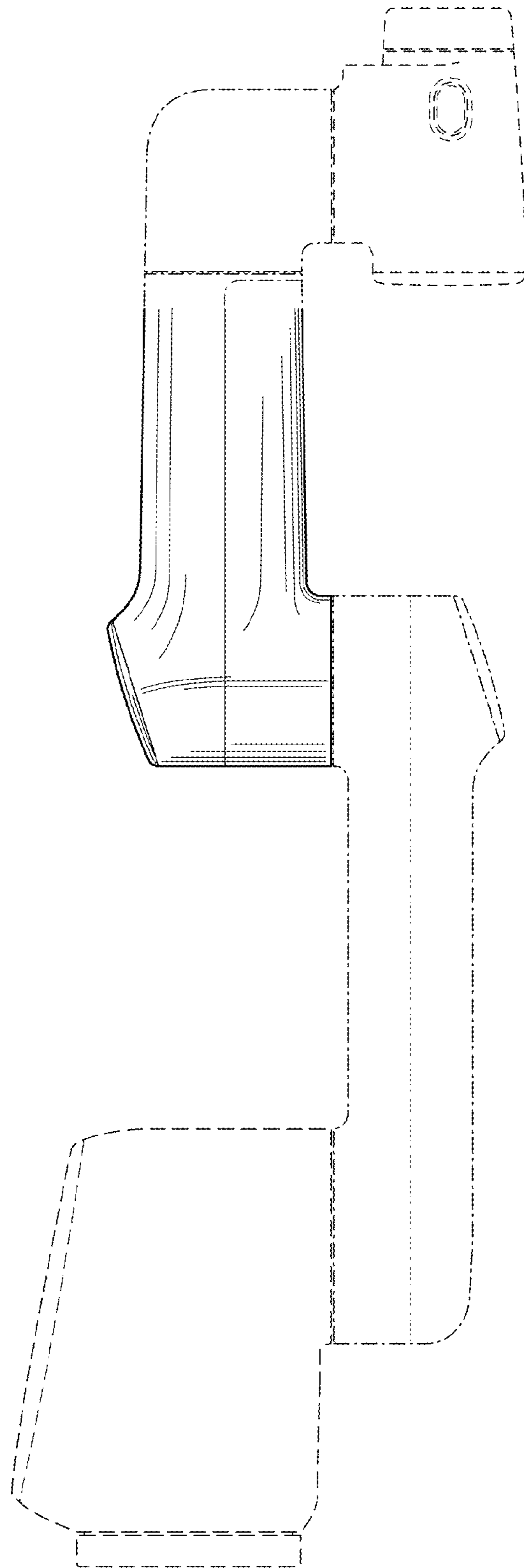


FIG. 8

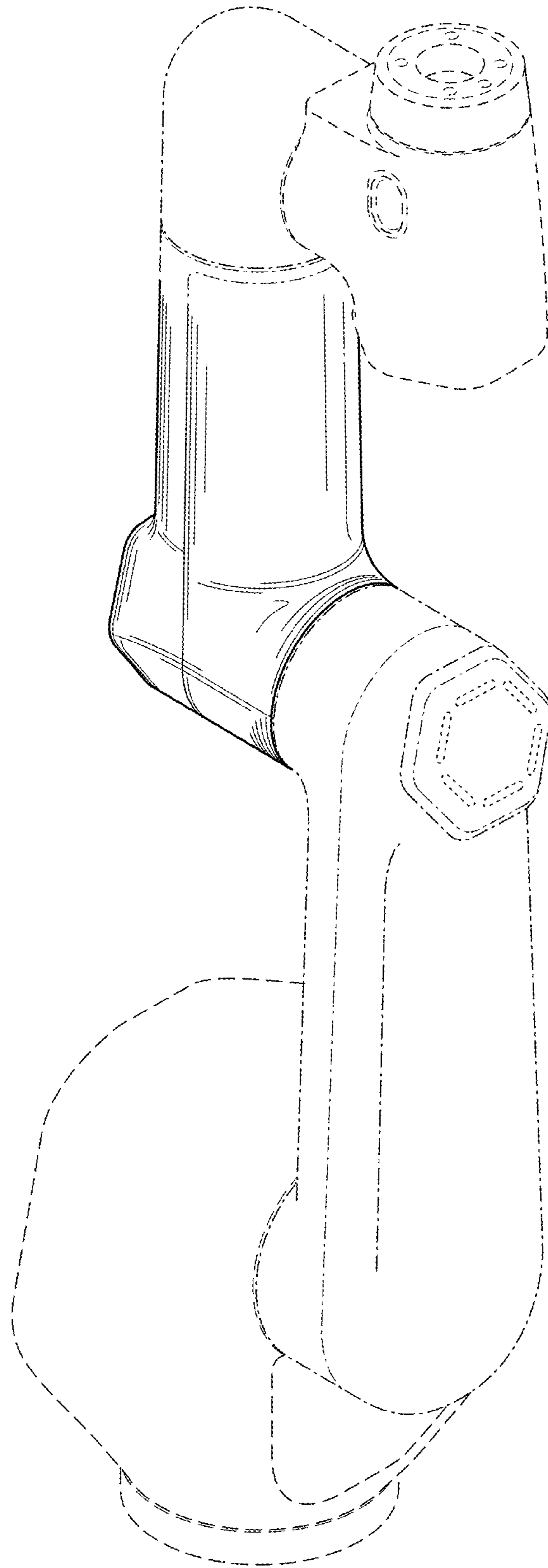


FIG. 9