



US00D892881S

(12) **United States Design Patent** (10) **Patent No.:** **US D892,881 S**
Okamoto (45) **Date of Patent:** **** Aug. 11, 2020**

(54) **POWER TRANSMISSION UNIT AND POWER RECEIVING UNIT OF AN INDUSTRIAL ROBOT ARM**

(71) Applicant: **Daihen Corporation**, Osaka-shi (JP)

(72) Inventor: **Kentaro Okamoto**, Osaka (JP)

(73) Assignee: **Daihen Corporation**, Osaka-shi (JP)

(**) Term: **15 Years**

(21) Appl. No.: **29/664,618**

(22) Filed: **Sep. 26, 2018**

(30) **Foreign Application Priority Data**

Mar. 29, 2018 (JP) 2018-006764

Mar. 29, 2018 (JP) 2018-006765

(51) **LOC (12) Cl.** **15-99**

(52) **U.S. Cl.**
USPC **D15/199**

(58) **Field of Classification Search**
USPC D13/182; D15/138, 199

(Continued)

(56) **References Cited**

U.S. PATENT DOCUMENTS

4,733,423 A * 3/1988 Blatt A46B 9/02
15/104.04

4,928,047 A * 5/1990 Arai B25J 9/042
188/366

(Continued)

FOREIGN PATENT DOCUMENTS

JP 2012-161858 A 8/2012
JP 2018034211 A 3/2018
JP 2018-083241 A 5/2018

OTHER PUBLICATIONS

U.S. Appl. No. 29/664,616, filed Sep. 26, 2018, Power Transmission Unit and Power Receiving Unit of an Industrial Robot Arm.

(Continued)

Primary Examiner — Patricia A Palasik

(74) *Attorney, Agent, or Firm* — Schwegman Lundberg & Woessner, P.A.

(57) **CLAIM**

The ornamental design for power transmission unit and power receiving unit of an industrial robot arm, as shown and described.

DESCRIPTION

FIG. 1 is a perspective view of a first embodiment of power transmission unit and power receiving unit of an industrial robot arm showing my new design;

FIG. 2 is a front view thereof;

FIG. 3 is a rear view thereof;

FIG. 4 is a top plan view thereof;

FIG. 5 is a bottom plan view thereof;

FIG. 6 is a right side view thereof;

FIG. 7 is a left side view thereof;

FIG. 8 is an enlarged cross-sectional view taken along line 8-8 in FIG. 5 with the internal structure omitted;

FIG. 9 is a perspective view of a second embodiment of power transmission unit and power receiving unit of an industrial robot arm showing my new design;

FIG. 10 is a front view thereof;

FIG. 11 is a rear view thereof;

FIG. 12 is a top plan view thereof;

FIG. 13 is a bottom plan view thereof;

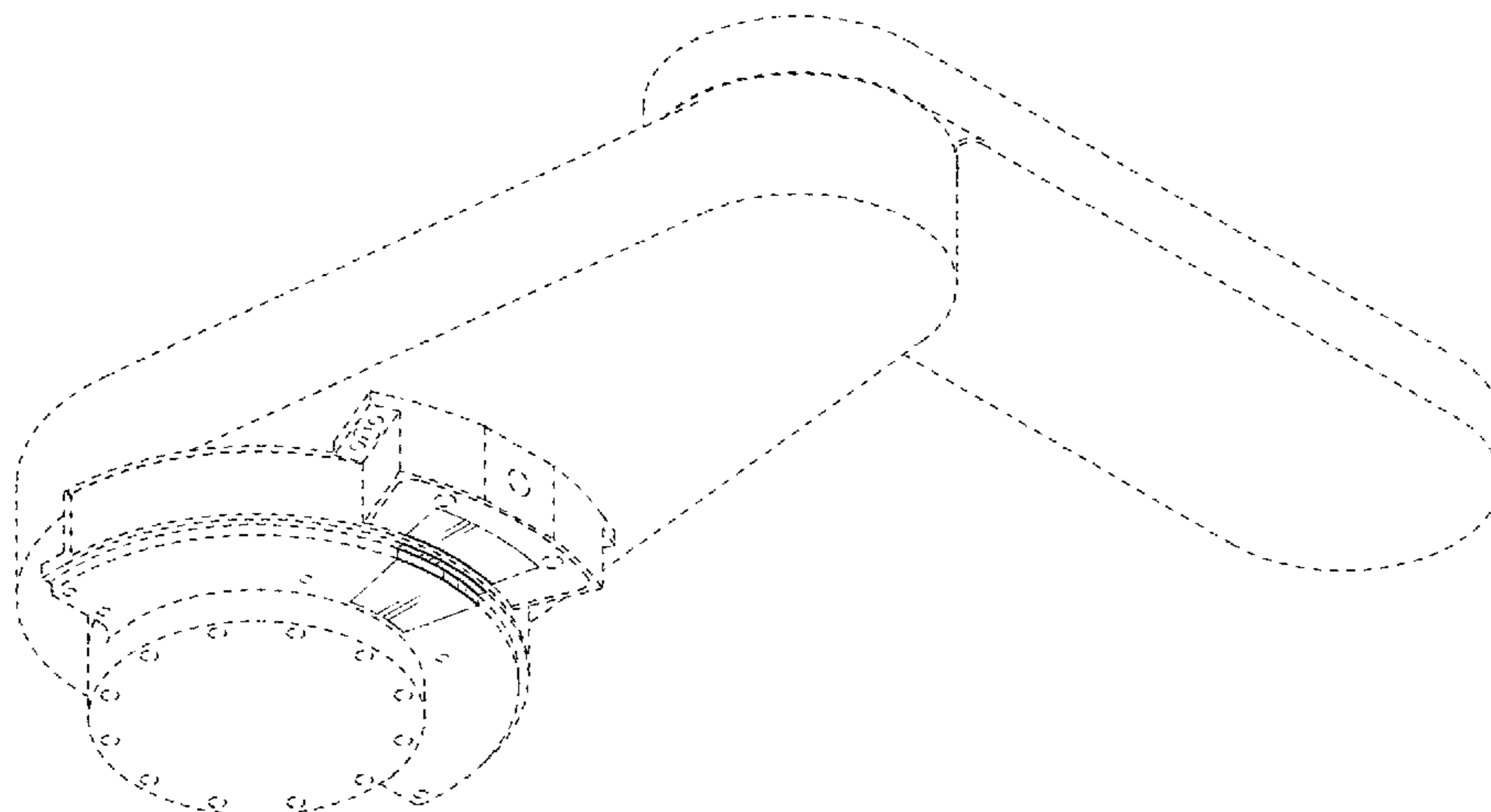
FIG. 14 is a right side view thereof;

FIG. 15 is a left side view thereof; and,

FIG. 16 is an enlarged cross-sectional view taken along line 16-16 in FIG. 13 with the internal structure omitted.

The broken lines illustrate portions of the power transmission unit and power receiving unit of an industrial robot arm and form no part of the claimed design. The dash-dotted lines denote the boundary of the claim and form no part of the claimed design.

1 Claim, 16 Drawing Sheets



(58) **Field of Classification Search**
 CPC . B25J 9/046; B25J 9/126; B25J 9/1615; B25J
 11/0095; B25J 15/0014; G05B
 2219/39236; G05B 2219/39251; G05B
 2219/40234; H01L 21/67766
 See application file for complete search history.

(56) **References Cited**

U.S. PATENT DOCUMENTS

D441,730	S *	5/2001	Oba	D13/182
RE43,781	E *	11/2012	Yoshino	D13/182
RE44,567	E *	11/2013	Yoshino	D13/182
8,686,599	B2 *	4/2014	Tsuchiya	H02J 50/10 307/109
D802,546	S *	11/2017	Jang	D13/182
D804,436	S *	12/2017	Tauchi	D13/182
9,912,195	B2 *	3/2018	Homma	H02J 50/12
10,022,861	B1 *	7/2018	He	B25J 19/0075
D824,967	S *	8/2018	Getto	D15/143
D848,155	S *	5/2019	D'Andreta	D4/116
10,500,734	B1 *	12/2019	Xiong	B25J 9/1025
10,583,567	B1 *	3/2020	Larsen	B25J 9/126
10,589,420	B2 *	3/2020	Matsumoto	B25J 9/0096
10,593,583	B2 *	3/2020	Bonora	H01L 21/67736
2002/0057955	A1 *	5/2002	Tsubota	B25J 9/042 414/1
2002/0161481	A1 *	10/2002	Uratani	B25J 9/042 700/245
2002/0164929	A1 *	11/2002	Pinson, II	H01L 21/67161 451/41
2003/0017044	A1 *	1/2003	Cameron	H01L 21/67259 414/811
2003/0031538	A1 *	2/2003	Weaver	H01L 21/67766 414/217.1
2003/0062858	A1 *	4/2003	Shimizu	B25J 9/1615 318/34
2003/0070502	A1 *	4/2003	Brett	B25J 9/046 74/490.01
2004/0001750	A1 *	1/2004	Kremerman	B25J 9/042 414/744.1

2004/0012363	A1 *	1/2004	Simondet	B25J 9/1692 318/568.21
2005/0011294	A1 *	1/2005	Hashimoto	B25J 9/042 74/490.01
2005/0036877	A1 *	2/2005	Ogawa	B25J 9/042 414/744.2
2005/0183533	A1 *	8/2005	Tillmann	B25J 9/1015 74/490.03
2006/0219042	A1 *	10/2006	Tu	H01L 21/67766 74/490.01
2007/0110554	A1 *	5/2007	Ono	B25J 9/1025 414/744.5
2008/0152465	A1 *	6/2008	Tachibana	B25J 9/1045 414/222.01
2010/0290886	A1 *	11/2010	Hashimoto	B25J 9/042 414/800
2011/0252912	A1 *	10/2011	Nakagiri	B25J 9/1692 74/490.01
2012/0201641	A1	8/2012	Matsuzaki et al.		
2013/0202390	A1 *	8/2013	Yazawa	B25J 9/043 414/222.09
2014/0216334	A1 *	8/2014	D'Andreta	B25J 19/0075 118/504
2016/0046020	A1 *	2/2016	Chuo	B25J 9/1615 74/490.02
2016/0136818	A1 *	5/2016	Kitahara	B65G 47/90 414/222.07
2017/0182658	A1 *	6/2017	Bordegnoni	B25J 9/042
2018/0056463	A1	3/2018	Yamada		
2019/0358825	A1 *	11/2019	Imai	B25J 9/1602

OTHER PUBLICATIONS

U.S. Appl. No. 29/664,622, filed Sep. 26, 2018, Power Transmission Unit of an Industrial Robot Arm.
 U.S. Appl. No. 29/664,624, filed Sep. 26, 2018, Power Transmission Unit of an Industrial Robot Arm.
 U.S. Appl. No. 29/664,627, filed Sep. 26, 2018, Power Receiving Unit of an Industrial Robot Arm.

* cited by examiner

FIG. 1

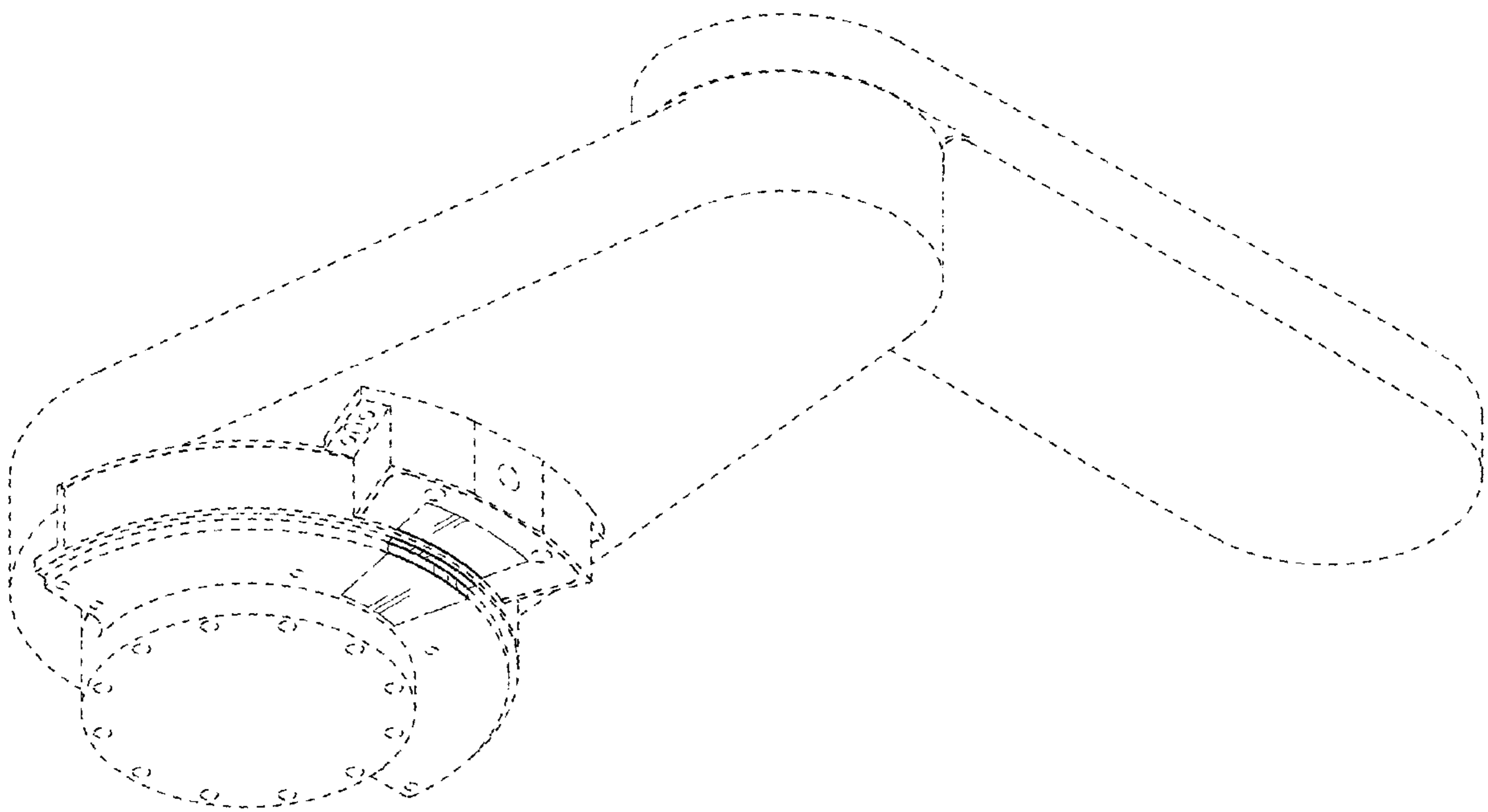


FIG. 2

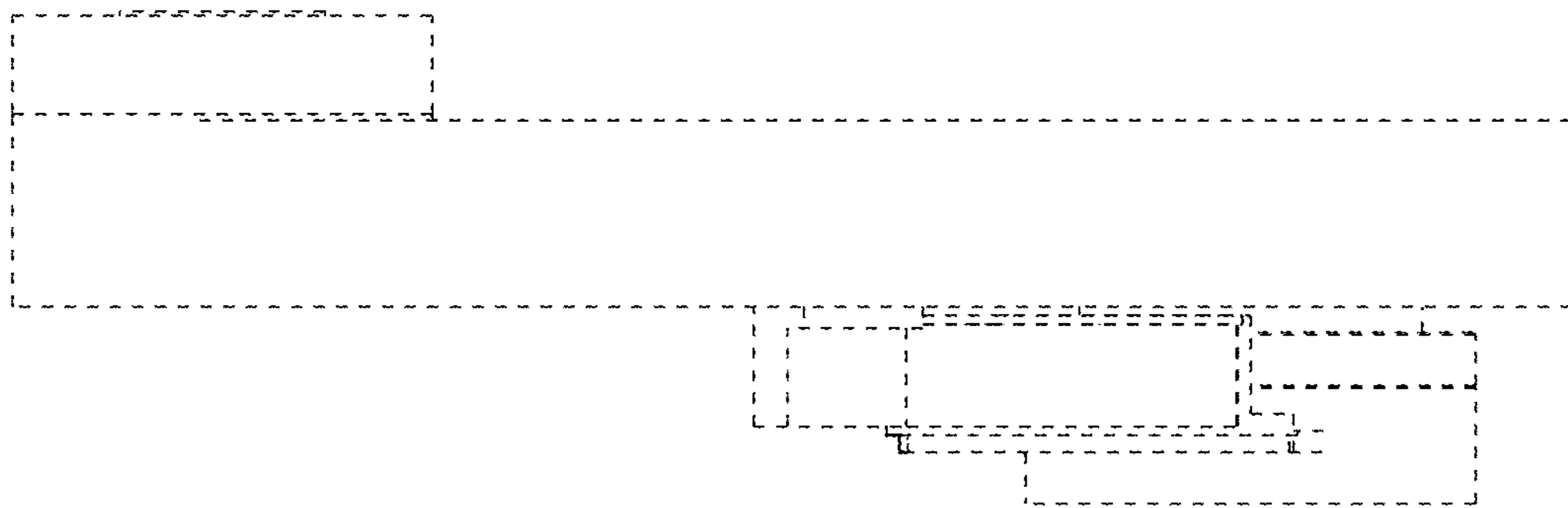


FIG. 3

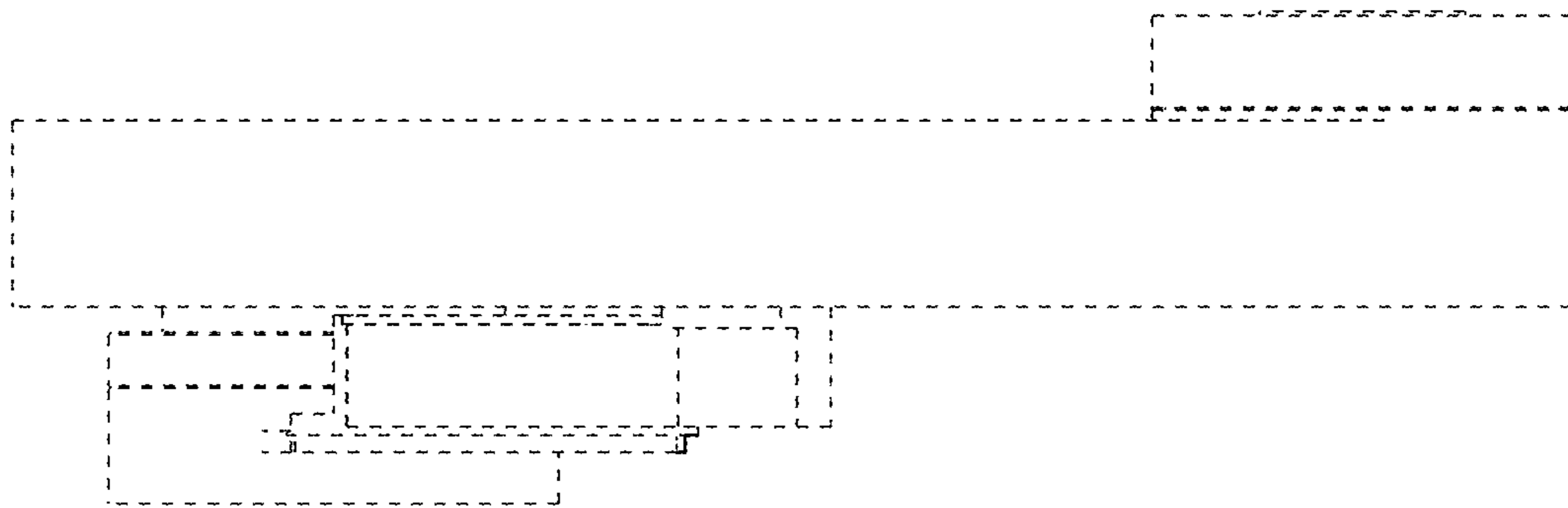


FIG. 4

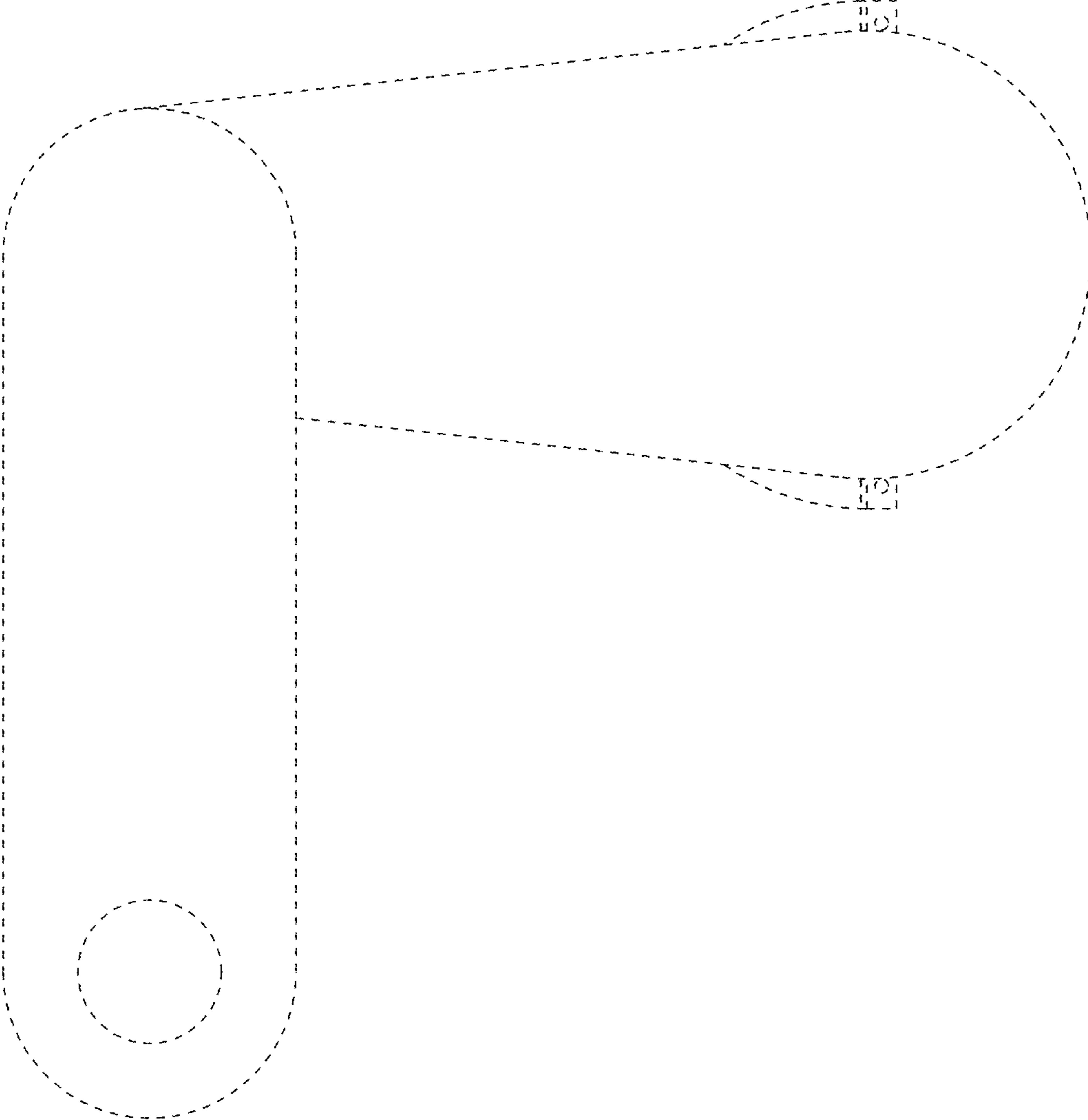


FIG. 5

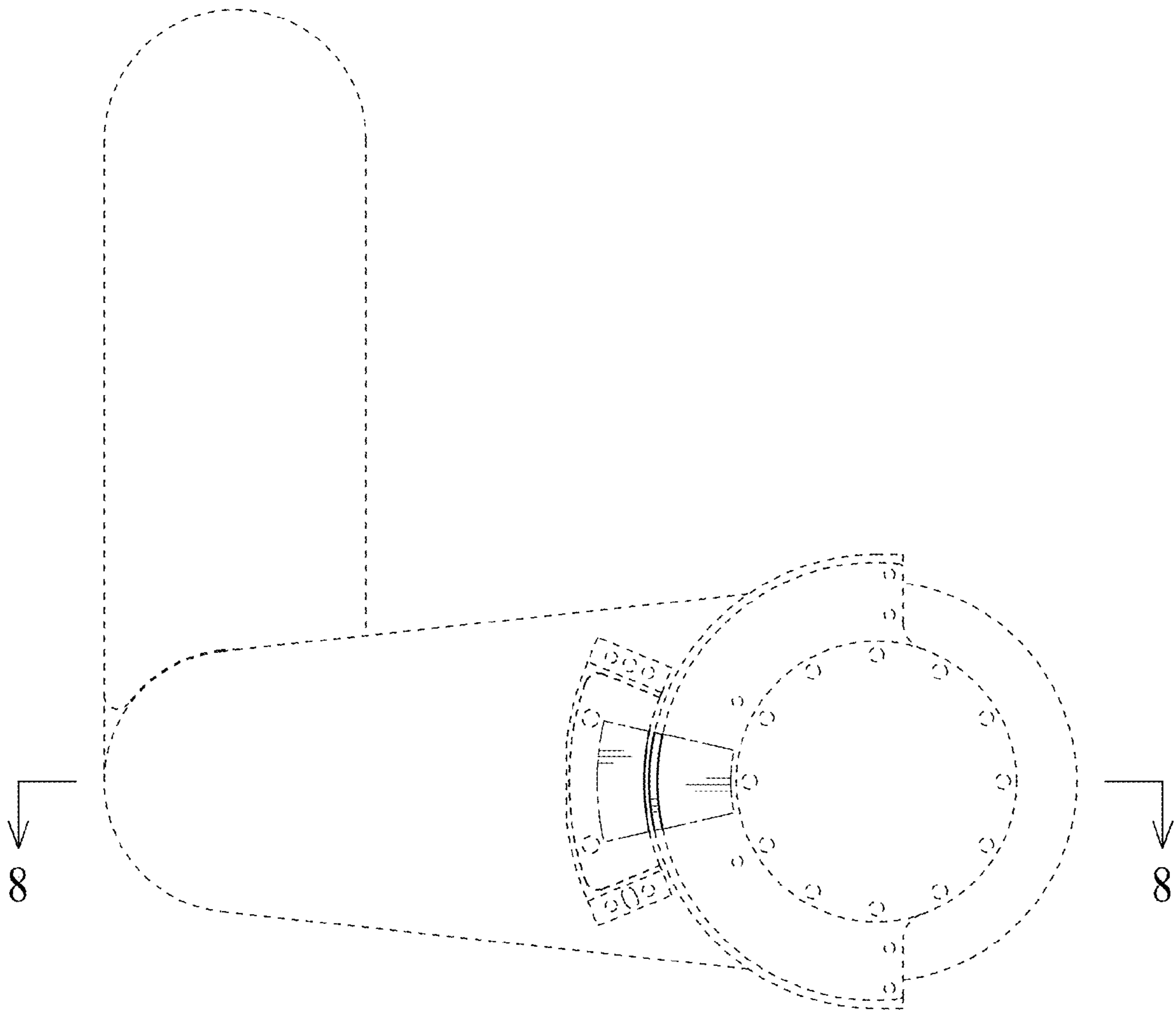


FIG. 6

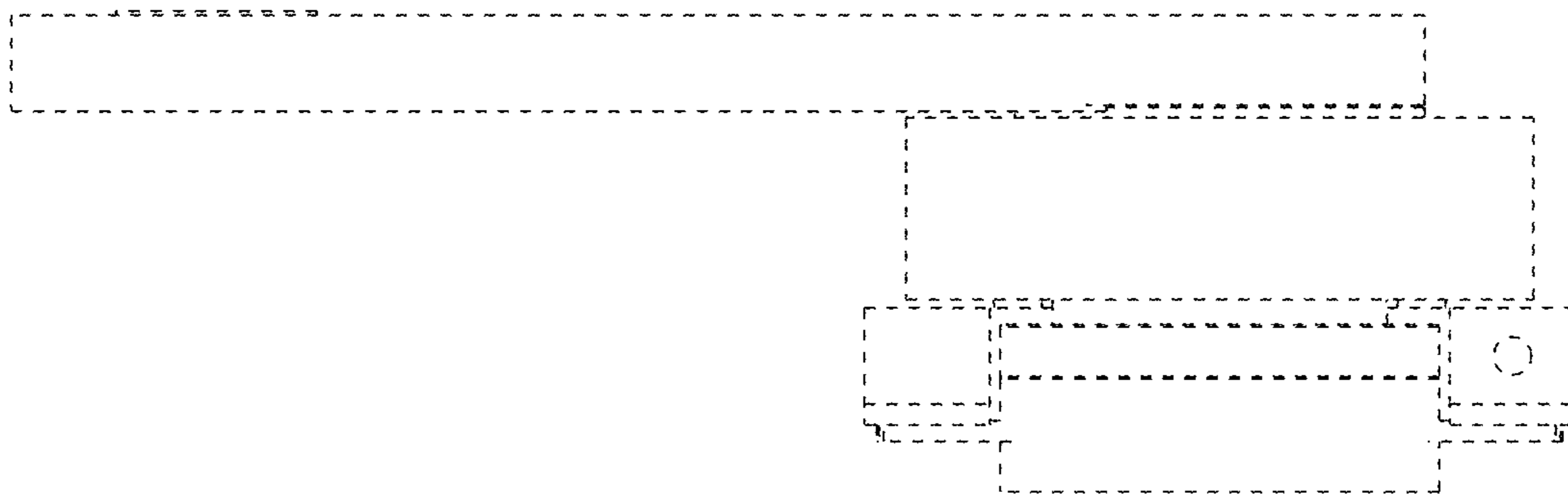


FIG. 7

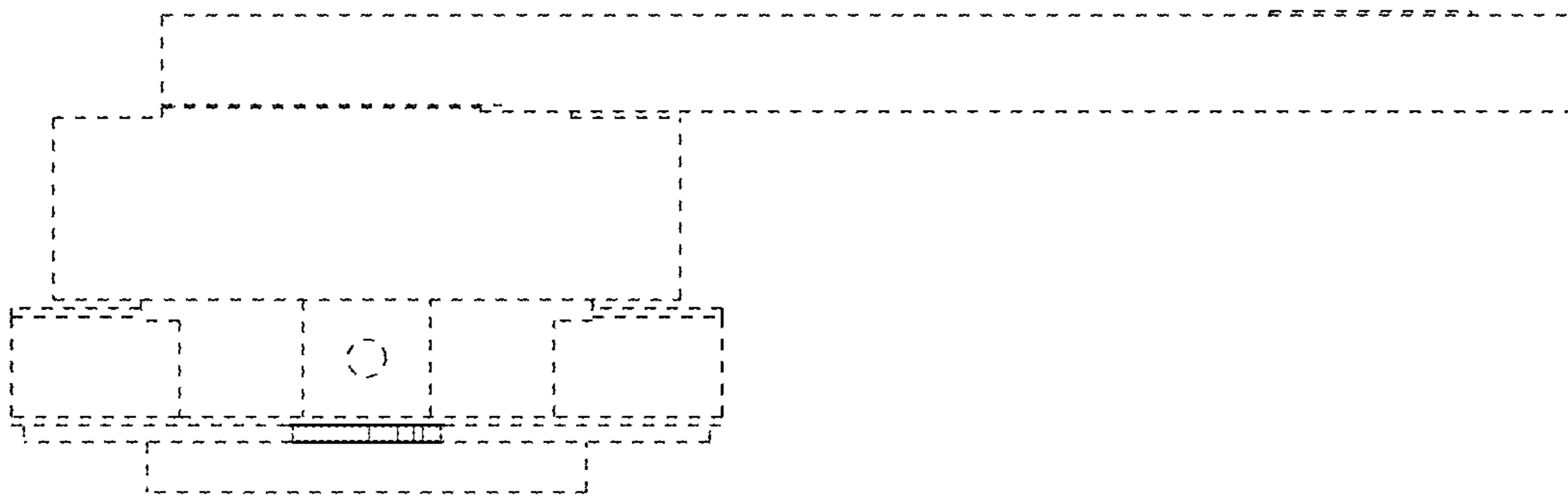


FIG. 8

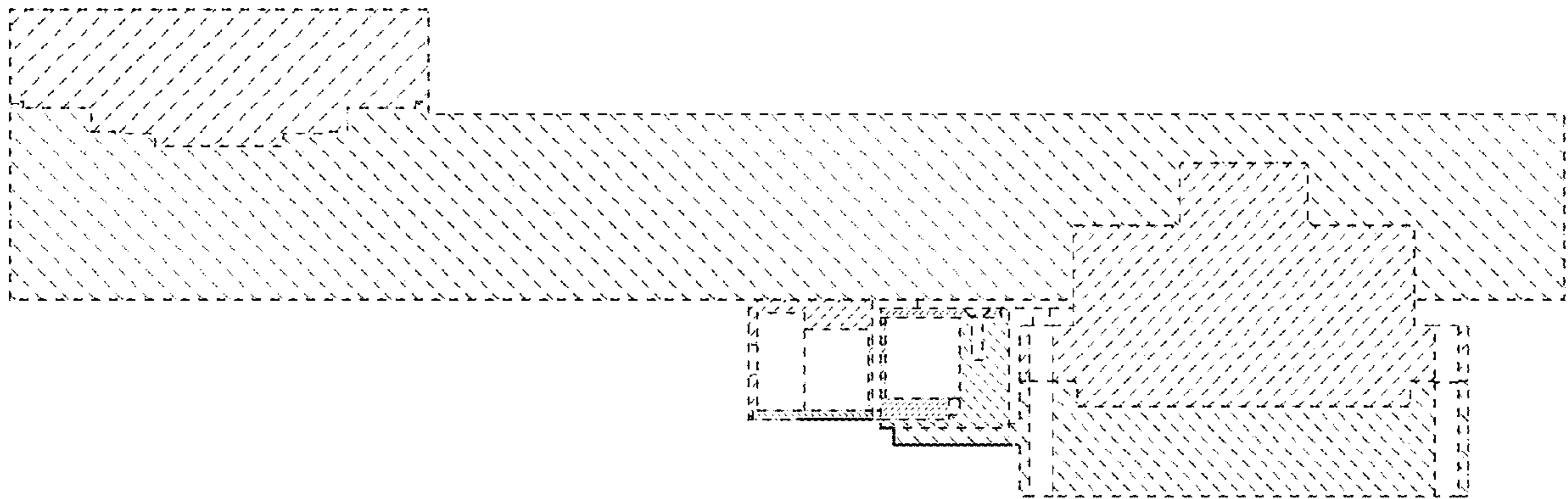


FIG. 9

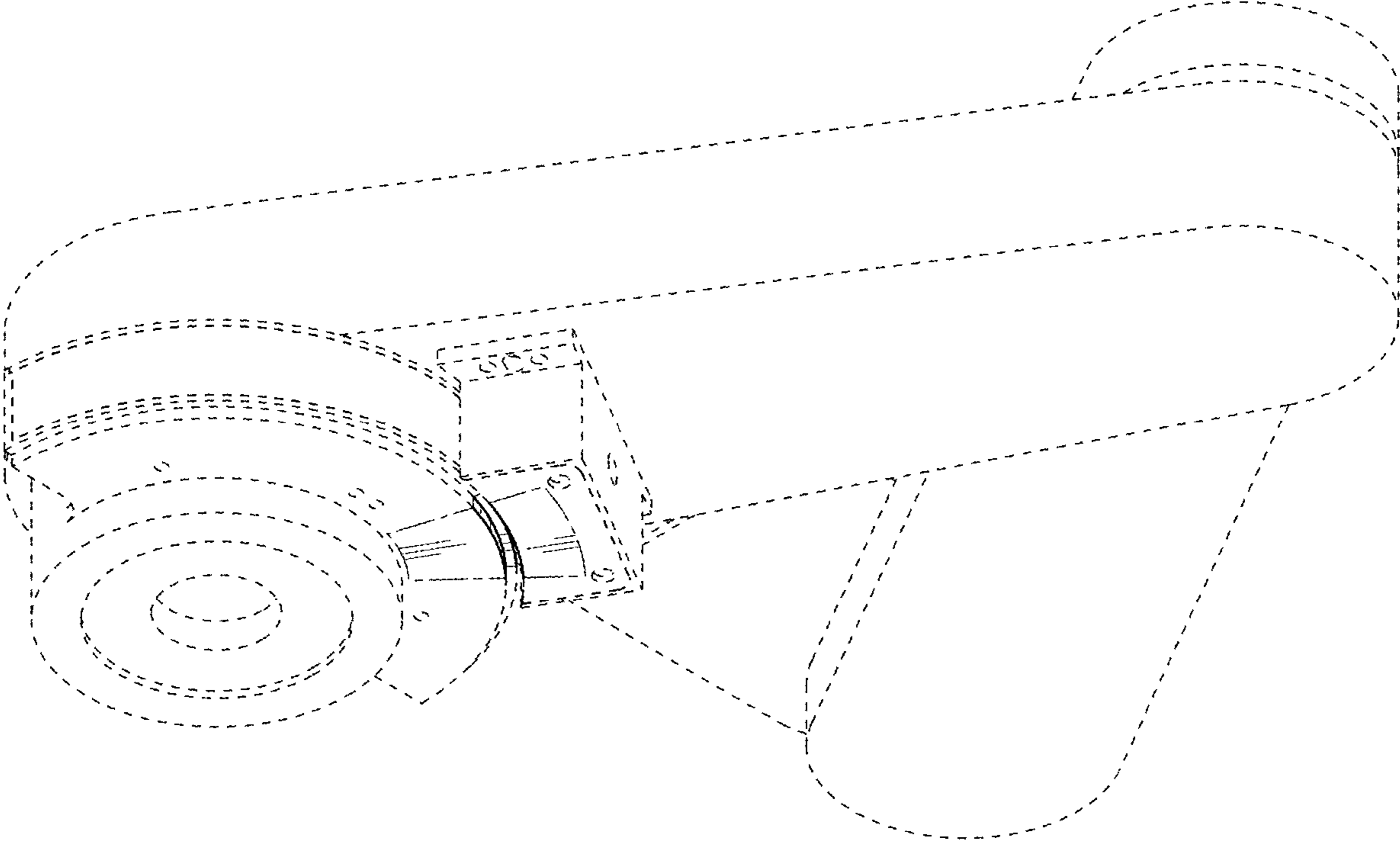


FIG. 10

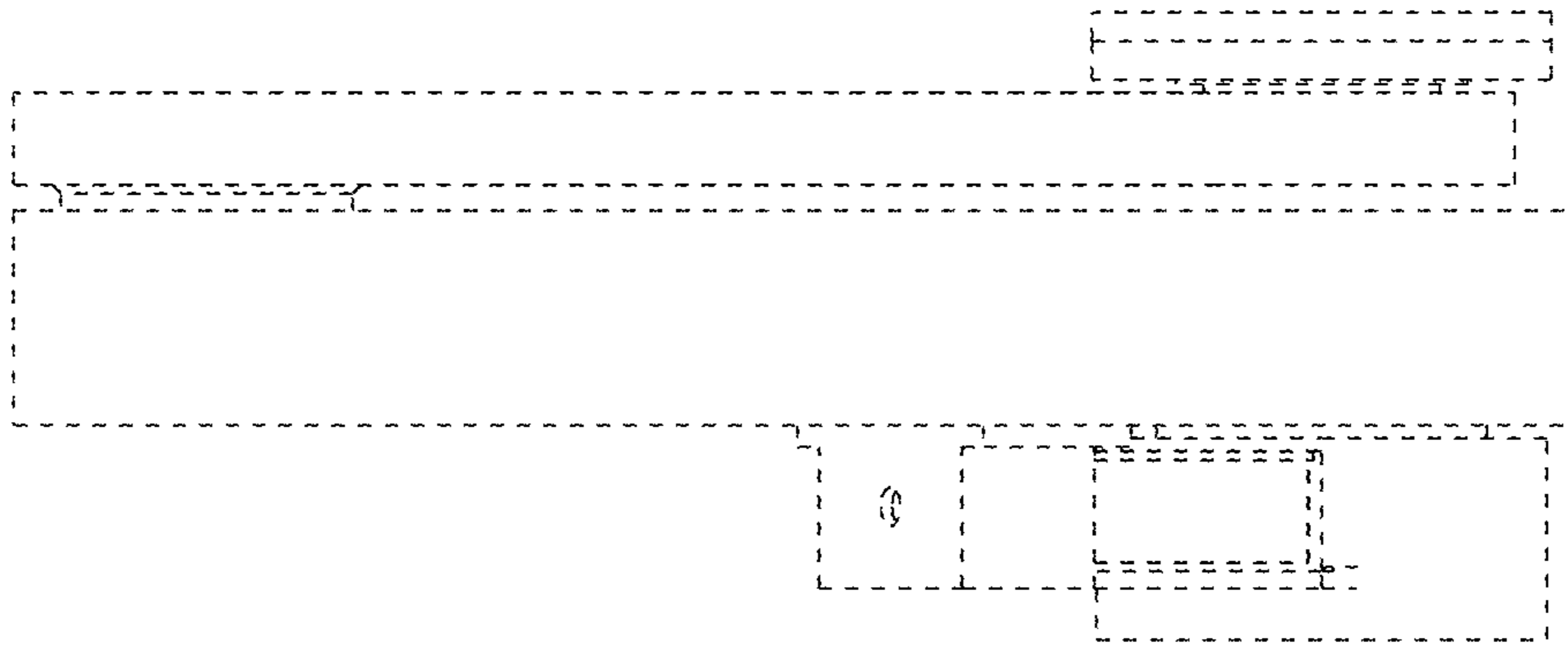


FIG. 11

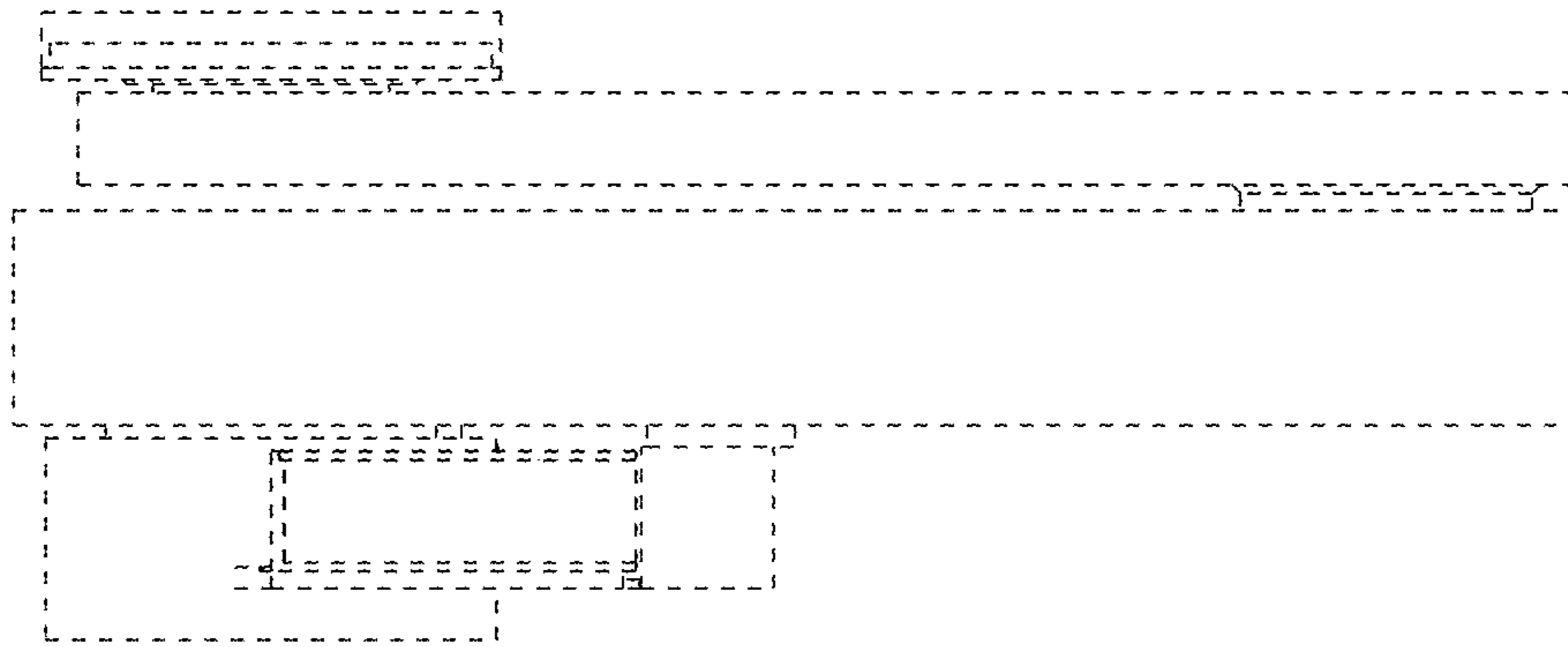


FIG. 12

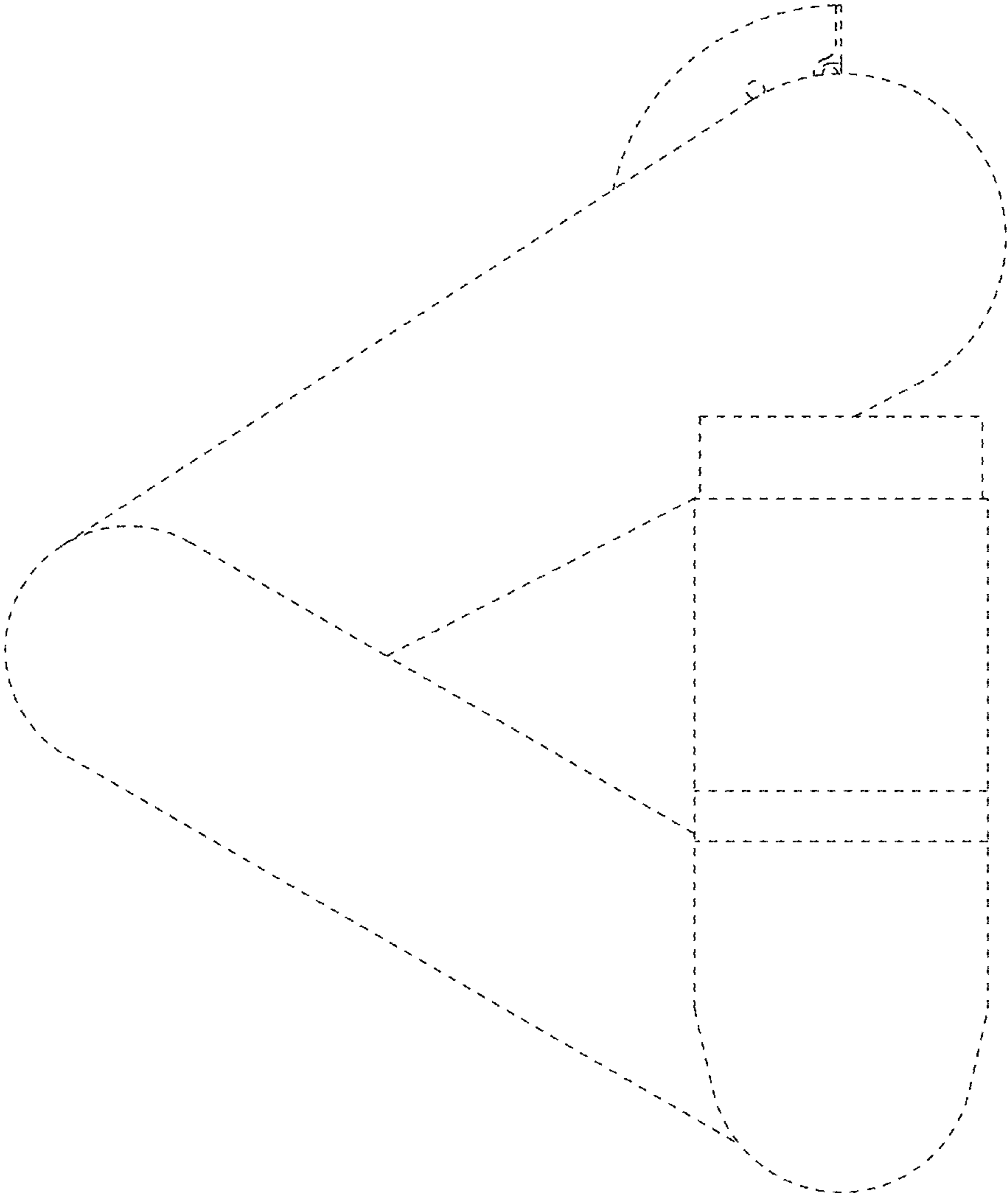


FIG. 13

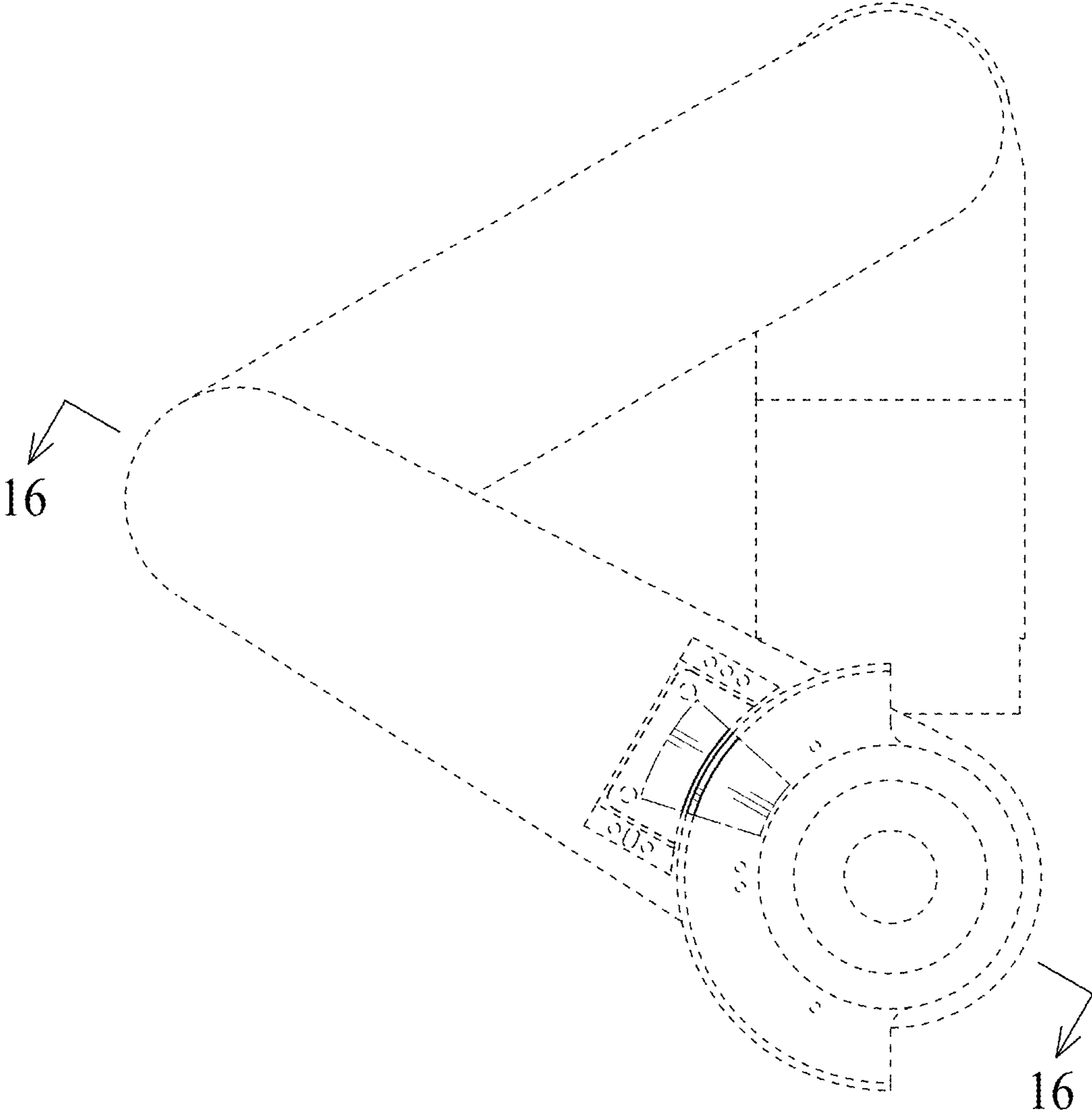


FIG. 14

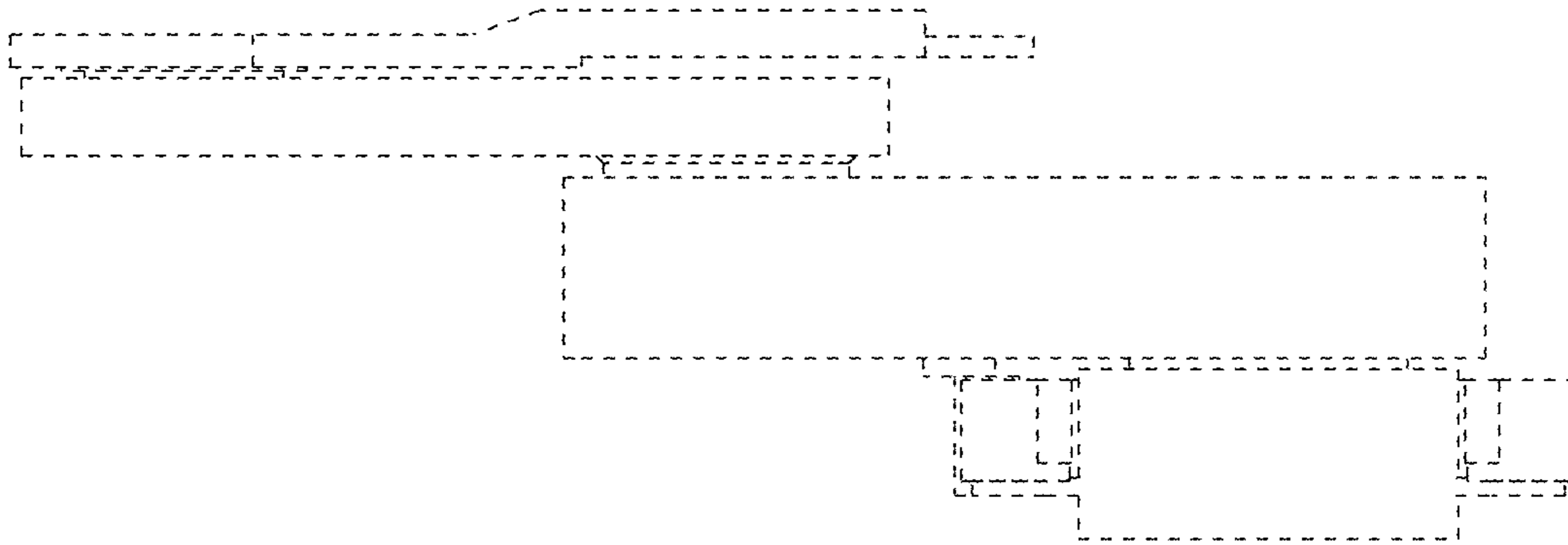


FIG. 15

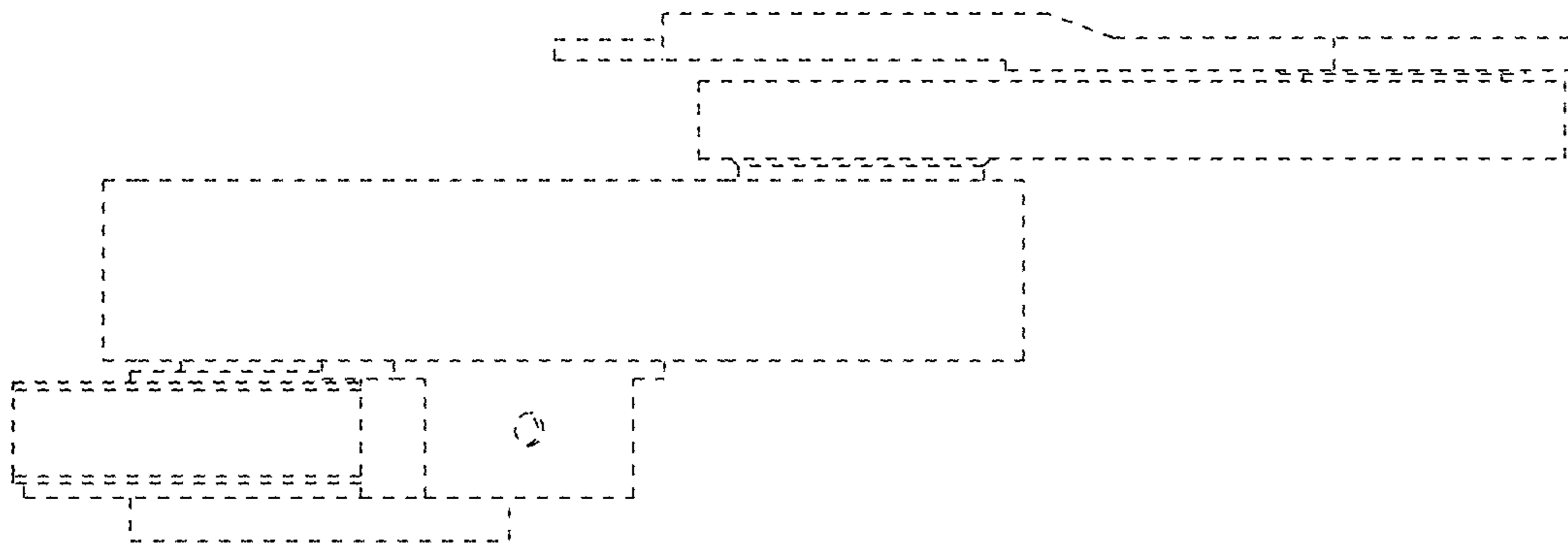


FIG. 16

