

US00D892880S

(12) **United States Design Patent** (10) **Patent No.:** **US D892,880 S**
Okamoto (45) **Date of Patent:** **** Aug. 11, 2020**

(54) **POWER TRANSMISSION UNIT AND POWER RECEIVING UNIT OF AN INDUSTRIAL ROBOT ARM**

Primary Examiner — Patricia A Palasik
 (74) *Attorney, Agent, or Firm* — Schwegman Lundberg & Woessner, P.A.

(71) Applicant: **Daihen Corporation**, Osaka-shi (JP)

(57) **CLAIM**

(72) Inventor: **Kentaro Okamoto**, Osaka (JP)

The ornamental design for power transmission unit and power receiving unit of an industrial robot arm, as shown and described.

(73) Assignee: **Daihen Corporation**, Osaka-shi (JP)

(**) Term: **15 Years**

DESCRIPTION

(21) Appl. No.: **29/664,616**

FIG. 1 is a front, top and right side perspective view of power transmission unit and power receiving unit of an industrial robot arm showing my new design;

(22) Filed: **Sep. 26, 2018**

FIG. 2 is a rear, bottom and left side perspective view thereof;

(30) **Foreign Application Priority Data**

Mar. 29, 2018 (JP) 2018006761

FIG. 3 is a front view thereof;

(51) **LOC (12) Cl.** **15-99**

FIG. 4 is a rear view thereof;

(52) **U.S. Cl.**

FIG. 5 is a top plan view thereof;

USPC **D15/199**

FIG. 6 is a bottom plan view thereof;

(58) **Field of Classification Search**

USPC D13/182; D15/138, 199

FIG. 7 is a right side view thereof;

CPC . B25J 9/046; B25J 9/126; B25J 9/1615; B25J

FIG. 8 is a left side view thereof;

11/0095; B25J 15/0014; G05B

FIG. 9 is a cross-sectional view taken along line 9-9 in FIG. 3;

2219/39236; G05B 2219/39251; G05B

FIG. 10 is a cross-sectional view taken along line 10-10 in FIG. 3;

2219/40234; H01L 21/67766

FIG. 11 is an enlarged cross-sectional view taken along line 11-11 at the part 11-11 in FIG. 10 with the internal structure omitted;

See application file for complete search history.

FIG. 12 is an enlarged referential front, top and right side perspective view of the power transmission and receiving units; and,

(56) **References Cited**

U.S. PATENT DOCUMENTS

4,733,423 A * 3/1988 Blatt A46B 9/02

FIG. 13 is an enlarged referential rear, bottom and left side perspective view of the power transmission and receiving units.

15/104.04

4,928,047 A * 5/1990 Arai B25J 9/042

188/366

The broken lines illustrate portions of the power transmission unit and power receiving unit of an industrial robot arm and form no part of the claimed design. The dash-dotted lines denote the boundary of the claim and form no part of the claimed design.

(Continued)

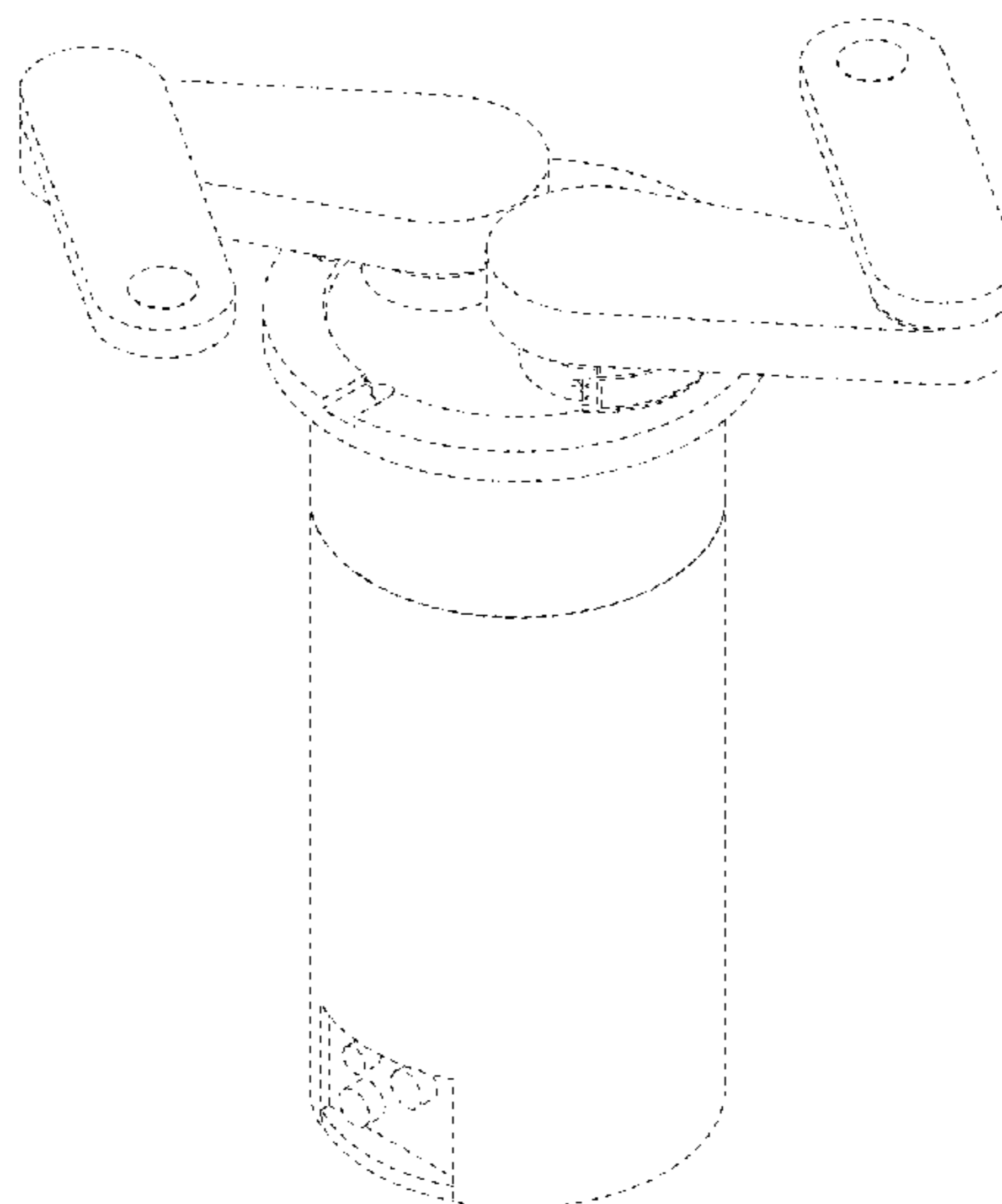
FOREIGN PATENT DOCUMENTS

JP 2012-161858 A 8/2012

JP 2018034211 A 3/2018

JP 2018-083241 A 5/2018

1 Claim, 13 Drawing Sheets



(56)

References Cited

U.S. PATENT DOCUMENTS

D441,730 S * 5/2001 Oba D13/182
 RE43,781 E * 11/2012 Yoshino D13/182
 RE44,567 E * 11/2013 Yoshino D13/182
 8,686,599 B2 * 4/2014 Tsuchiya H02J 50/10
 307/109
 D802,546 S * 11/2017 Jang D13/182
 D804,436 S * 12/2017 Tauchi D13/182
 9,912,195 B2 * 3/2018 Homma H02J 50/12
 10,022,861 B1 * 7/2018 He B25J 19/0075
 D824,967 S * 8/2018 Getto D15/143
 D848,155 S * 5/2019 D'Andreta D4/116
 10,500,734 B1 * 12/2019 Xiong B25J 9/1025
 10,583,567 B1 * 3/2020 Larsen B25J 9/126
 10,589,420 B2 * 3/2020 Matsumoto B25J 9/0096
 10,593,583 B2 * 3/2020 Bonora H01L 21/67736
 2002/0057955 A1 * 5/2002 Tsubota B25J 9/042
 414/1
 2002/0161481 A1 * 10/2002 Uratani B25J 9/042
 700/245
 2002/0164929 A1 * 11/2002 Pinson, II H01L 21/67161
 451/41
 2003/0017044 A1 * 1/2003 Cameron H01L 21/67259
 414/811
 2003/0031538 A1 * 2/2003 Weaver H01L 21/67766
 414/217.1
 2003/0062858 A1 * 4/2003 Shimizu B25J 9/1615
 318/34
 2003/0070502 A1 * 4/2003 Brett B25J 9/046
 74/490.01

2004/0001750 A1 * 1/2004 Kremerman B25J 9/042
 414/744.1
 2004/0012363 A1 * 1/2004 Simondet B25J 9/1692
 318/568.21
 2005/0011294 A1 * 1/2005 Hashimoto B25J 9/042
 74/490.01
 2005/0036877 A1 * 2/2005 Ogawa B25J 9/042
 414/744.2
 2005/0183533 A1 * 8/2005 Tillmann B25J 9/1015
 74/490.03
 2006/0219042 A1 * 10/2006 Tu H01L 21/67766
 74/490.01
 2007/0110554 A1 * 5/2007 Ono B25J 9/1025
 414/744.5
 2008/0152465 A1 * 6/2008 Tachibana B25J 9/1045
 414/222.01
 2010/0290886 A1 * 11/2010 Hashimoto B25J 9/042
 414/800
 2011/0252912 A1 * 10/2011 Nakagiri B25J 9/1692
 74/490.01
 2012/0201641 A1 8/2012 Matsuzaki et al.
 2013/0202390 A1 * 8/2013 Yazawa B25J 9/043
 414/222.09
 2014/0216334 A1 * 8/2014 D'Andreta B25J 19/0075
 118/504
 2016/0046020 A1 * 2/2016 Chuo B25J 9/1615
 74/490.02
 2016/0136818 A1 * 5/2016 Kitahara B65G 47/90
 414/222.07
 2017/0182658 A1 * 6/2017 Bordegnoni B25J 9/042
 2018/0056463 A1 3/2018 Yamada
 2019/0358825 A1 * 11/2019 Imai B25J 9/1602

* cited by examiner

FIG. 1

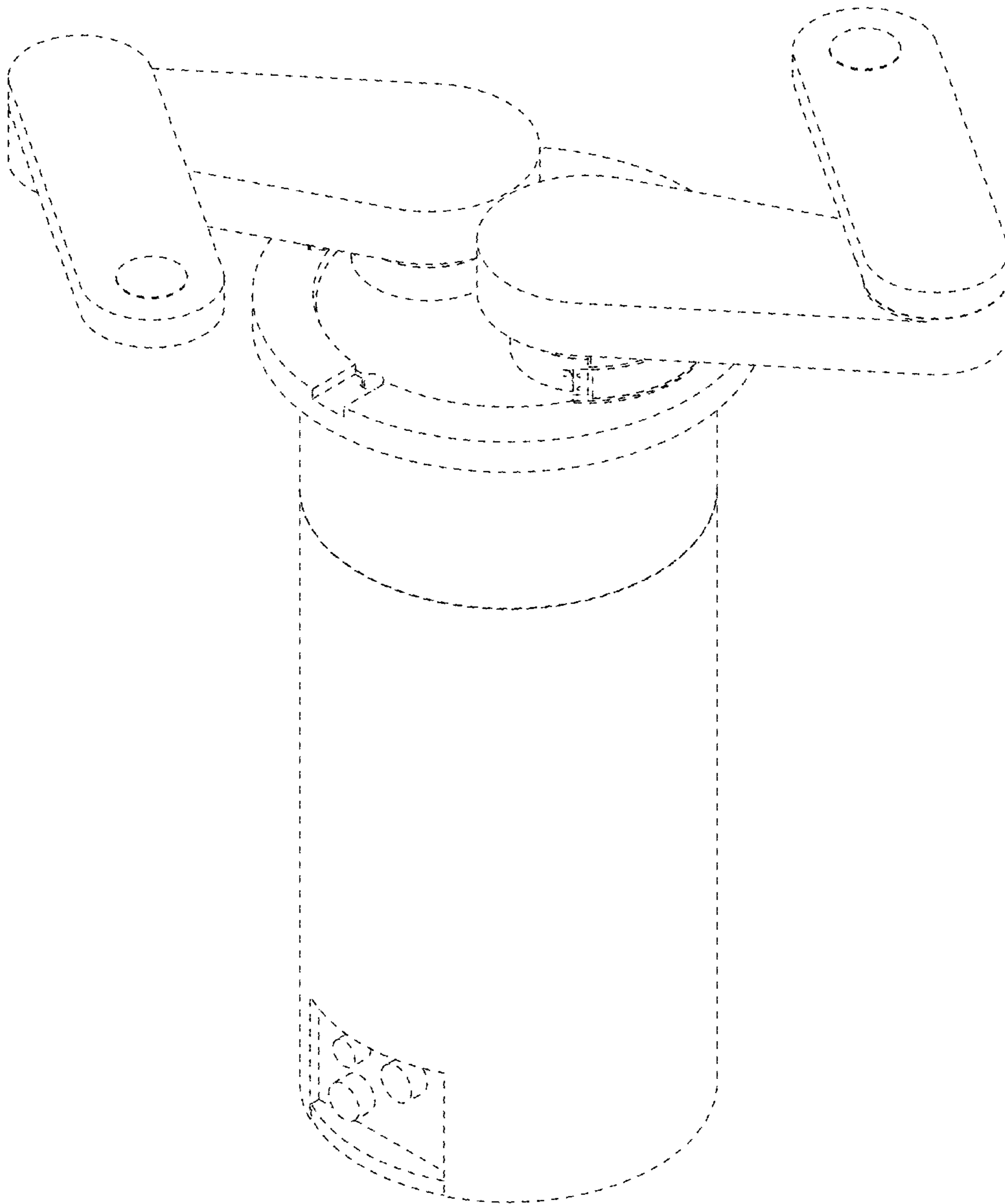


FIG. 2

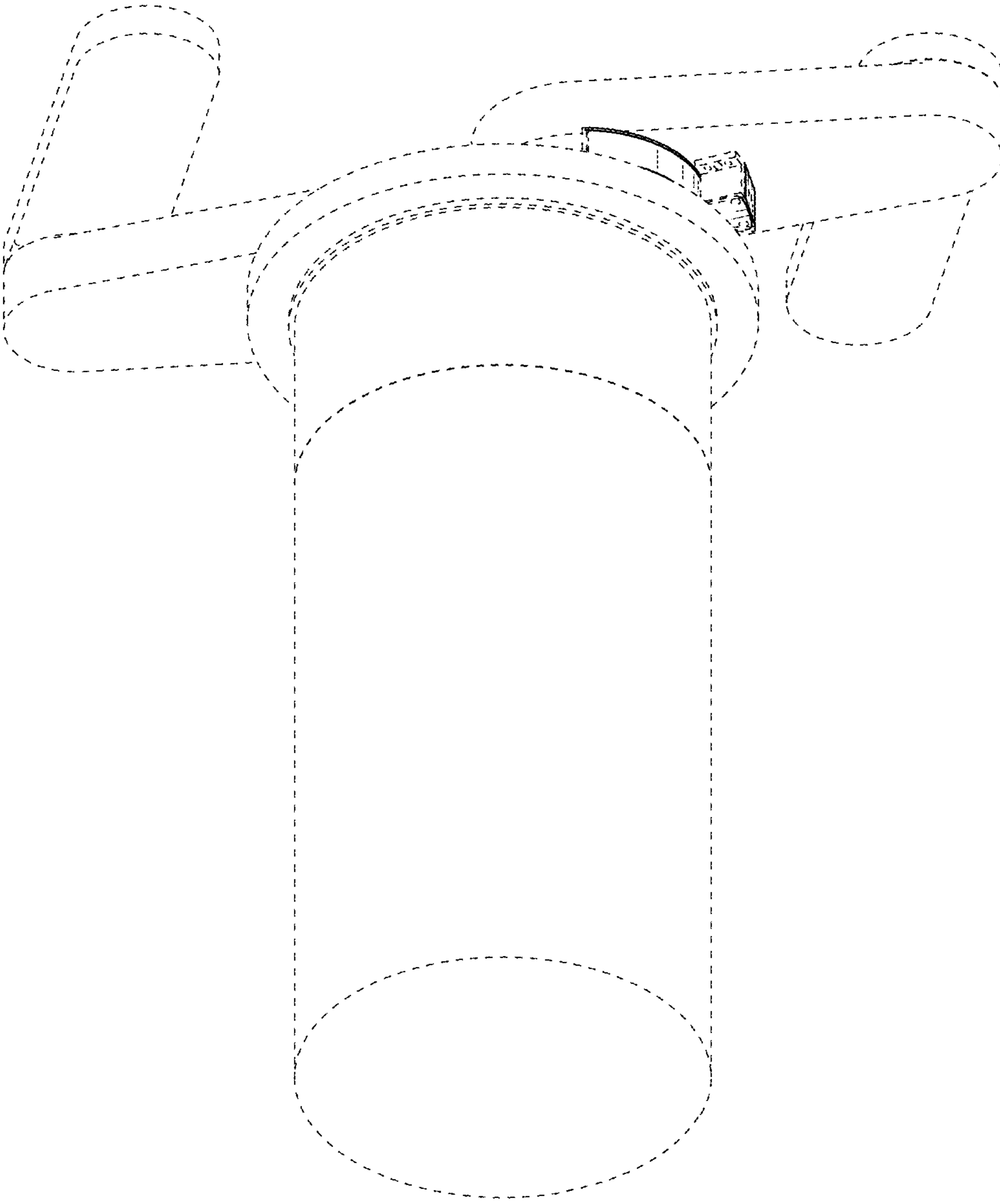


FIG. 3

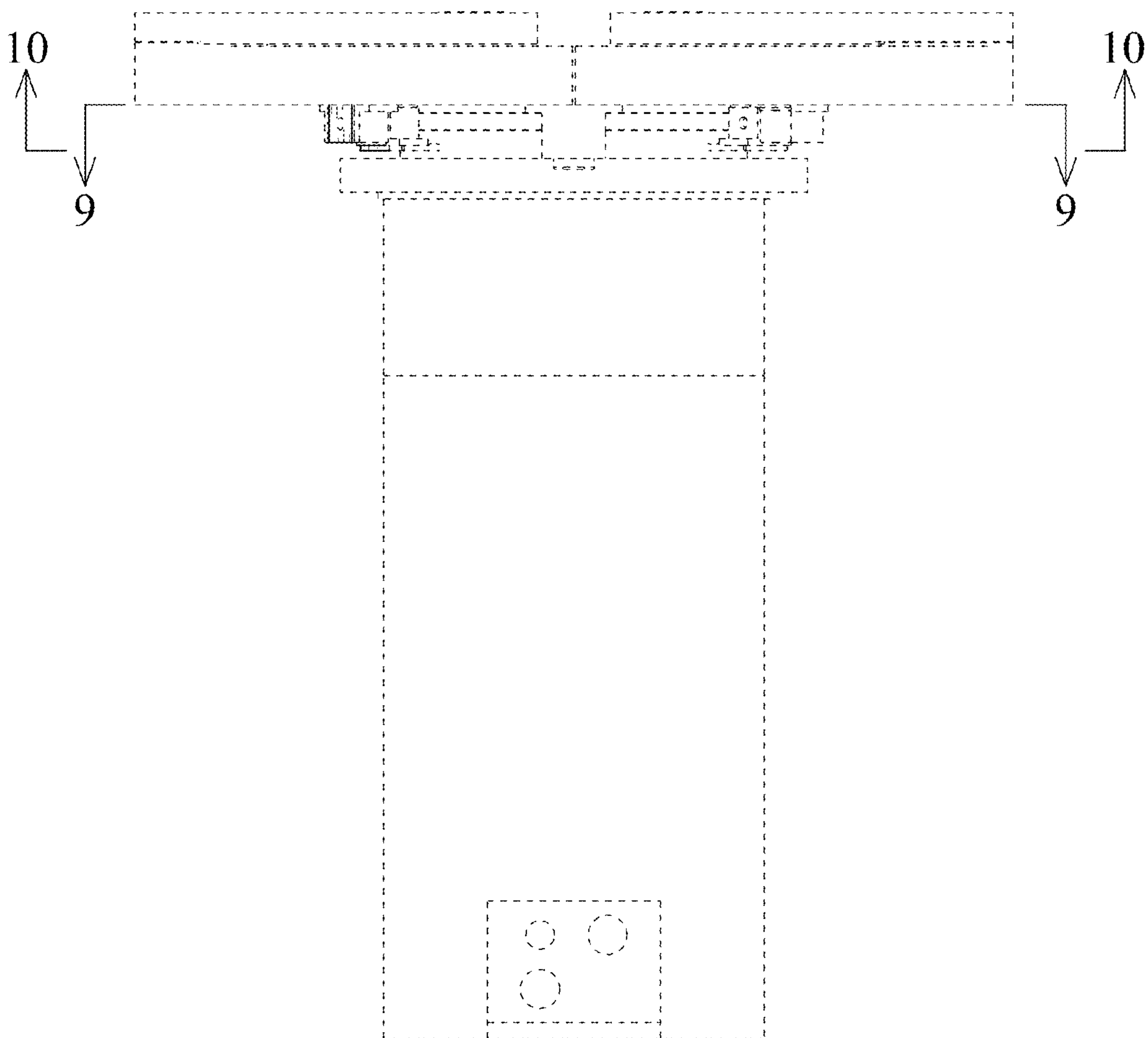


FIG. 4

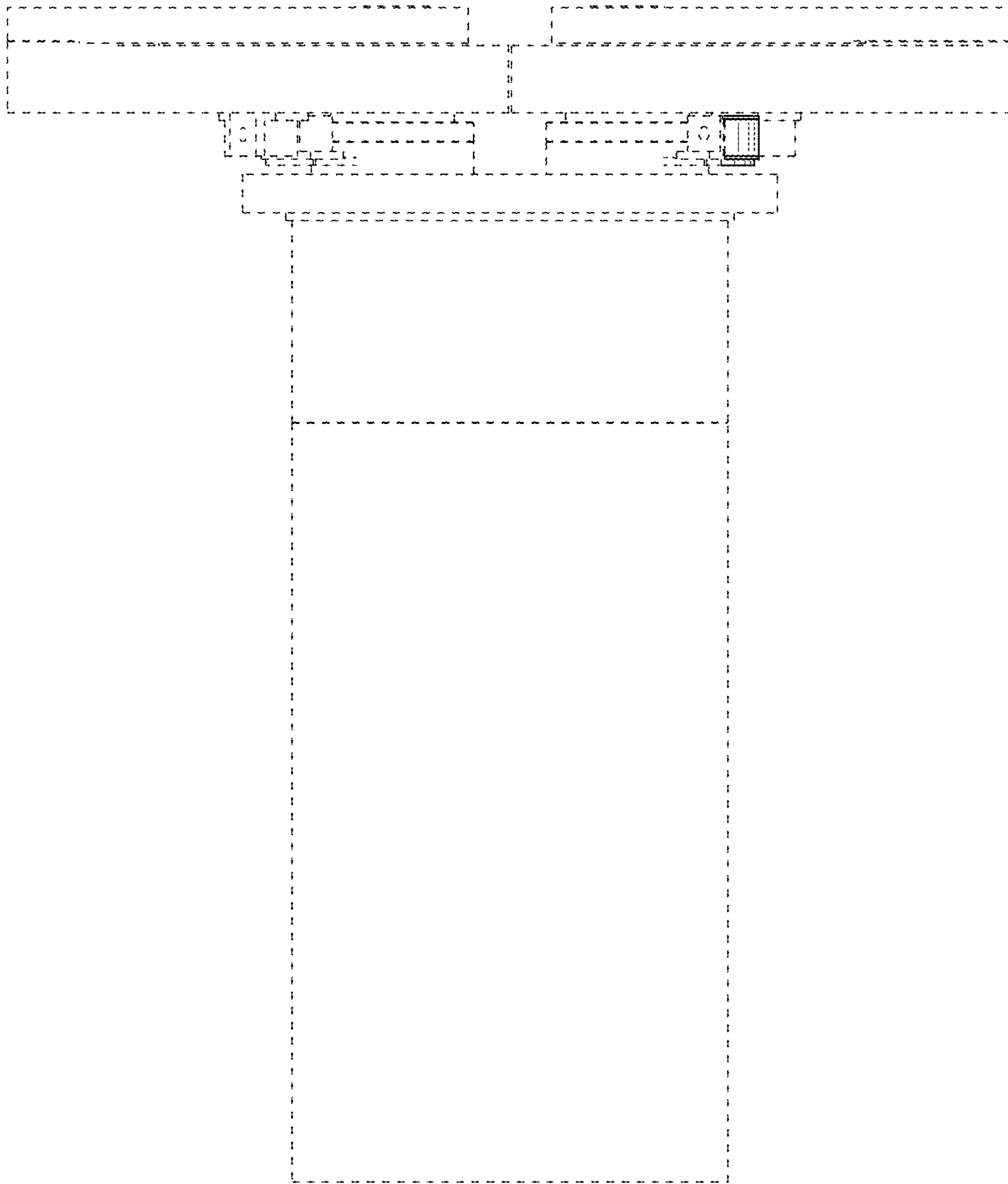


FIG. 5

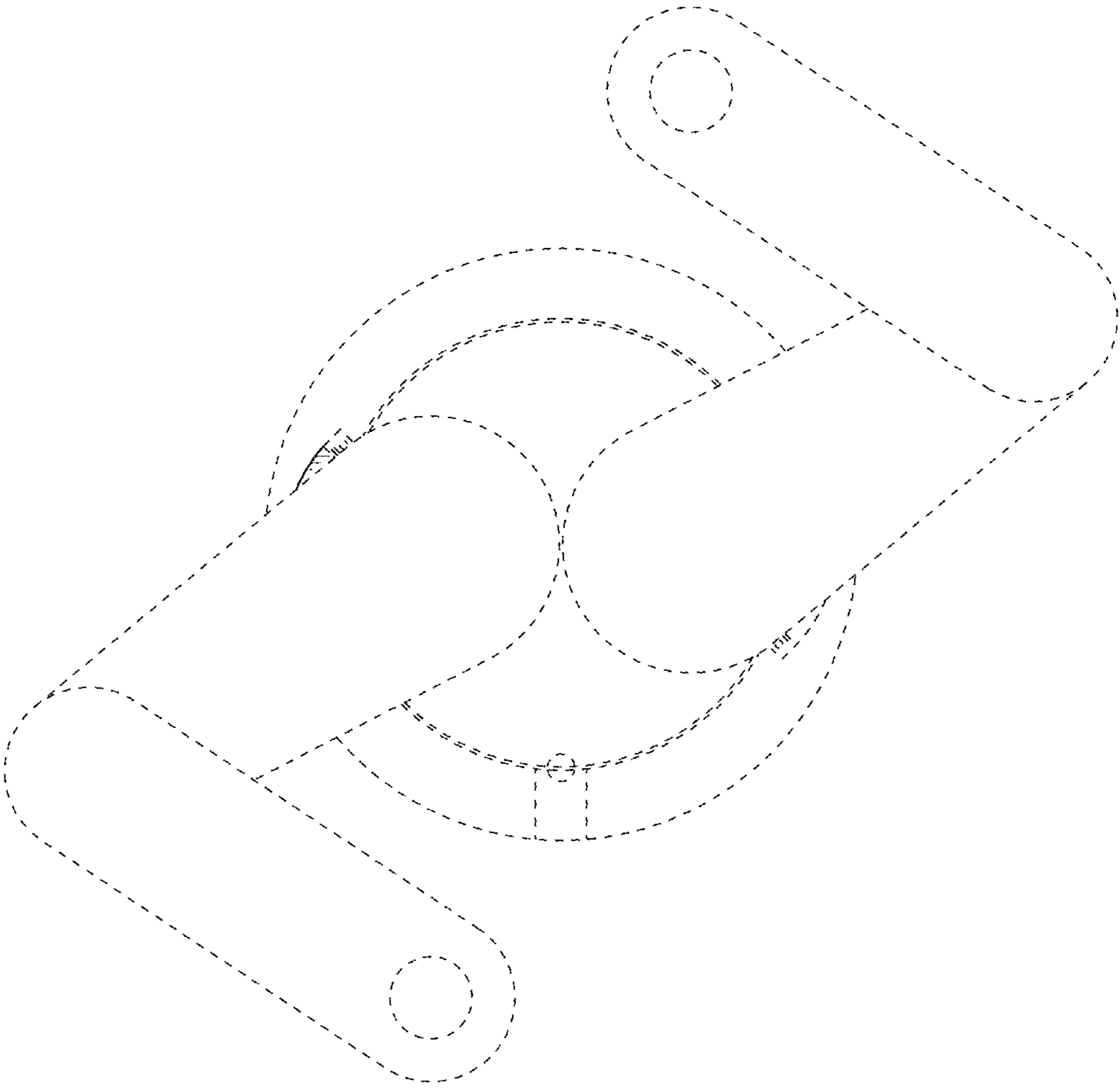


FIG. 6

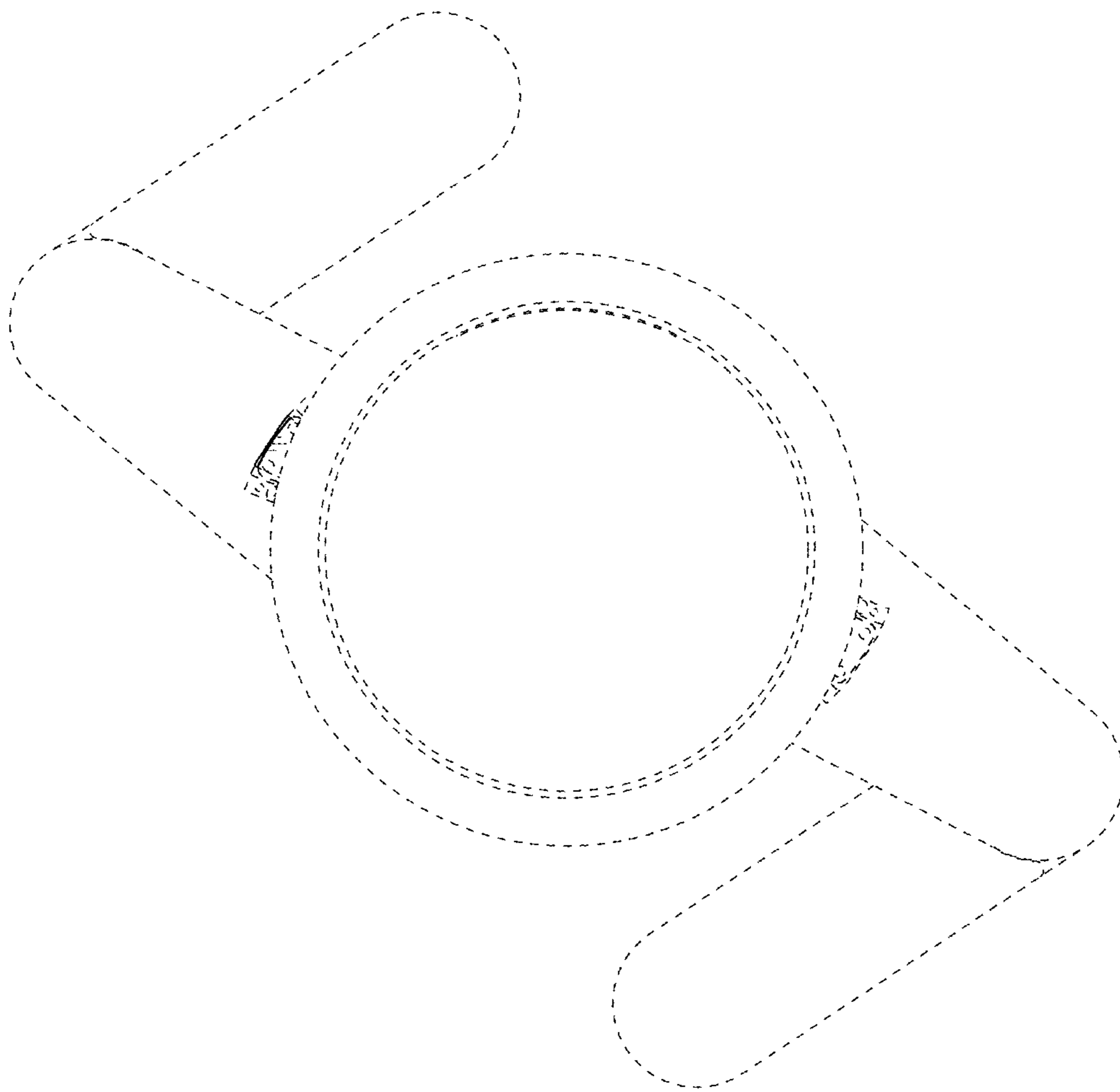


FIG. 7

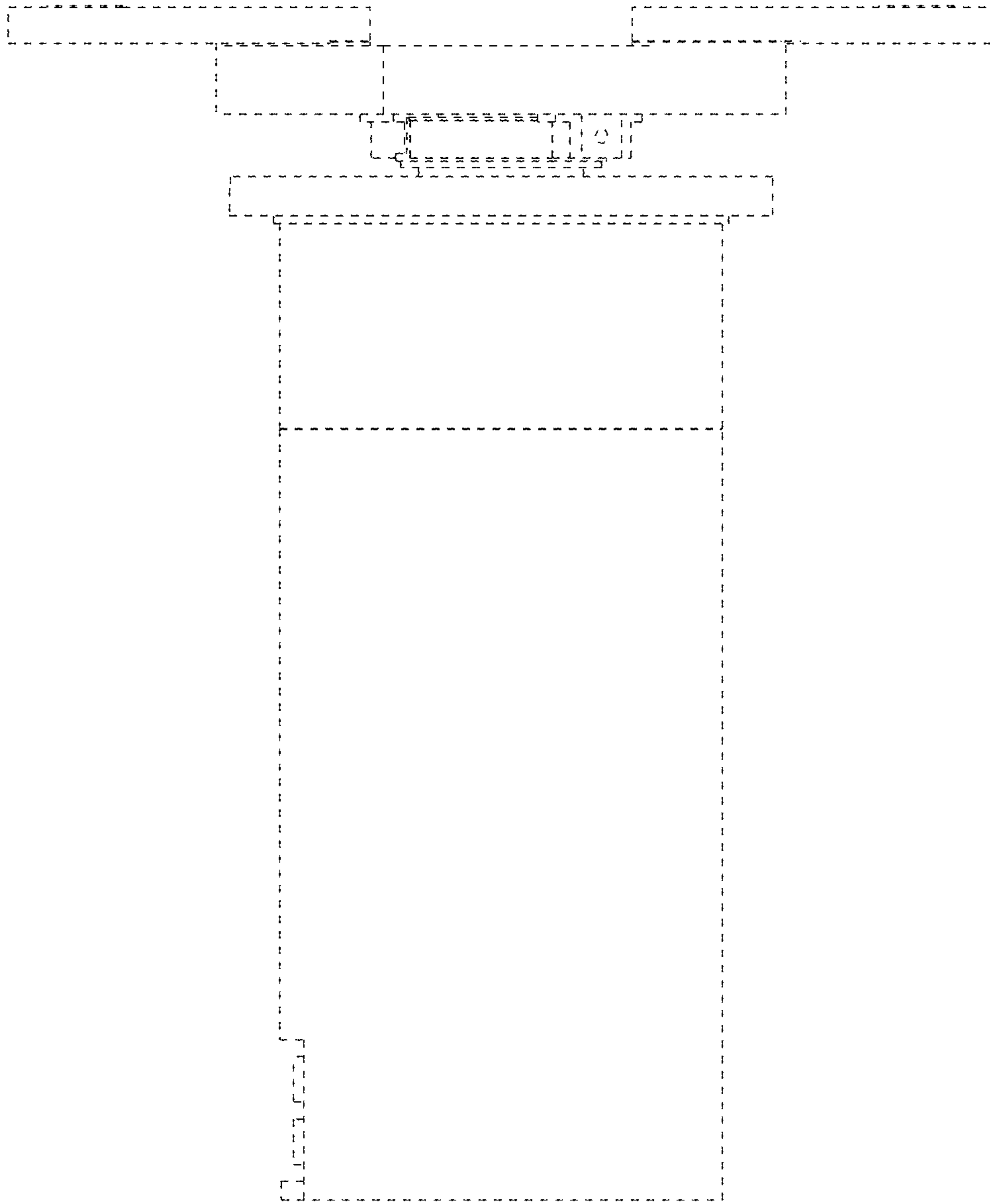


FIG. 8

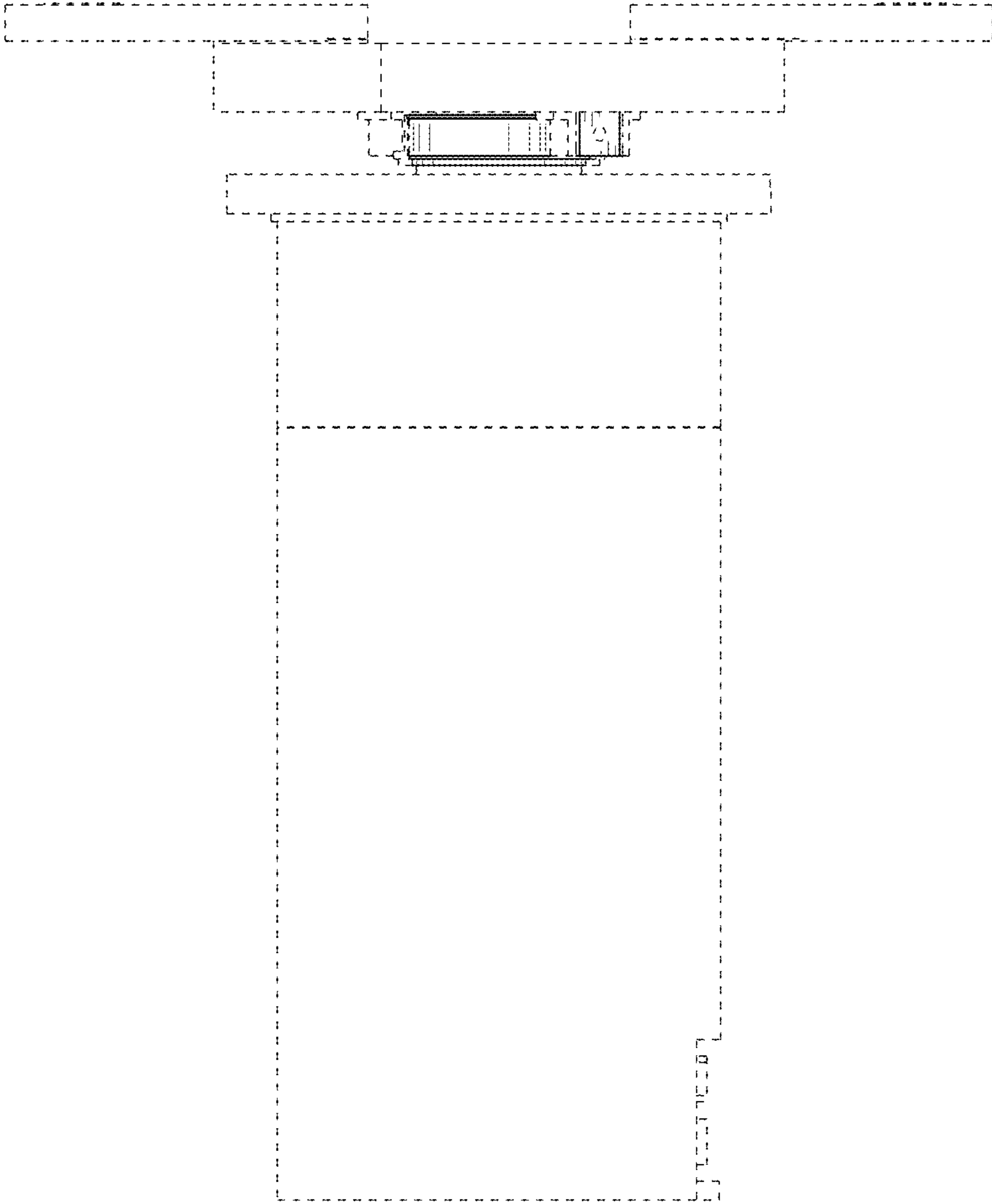


FIG. 9

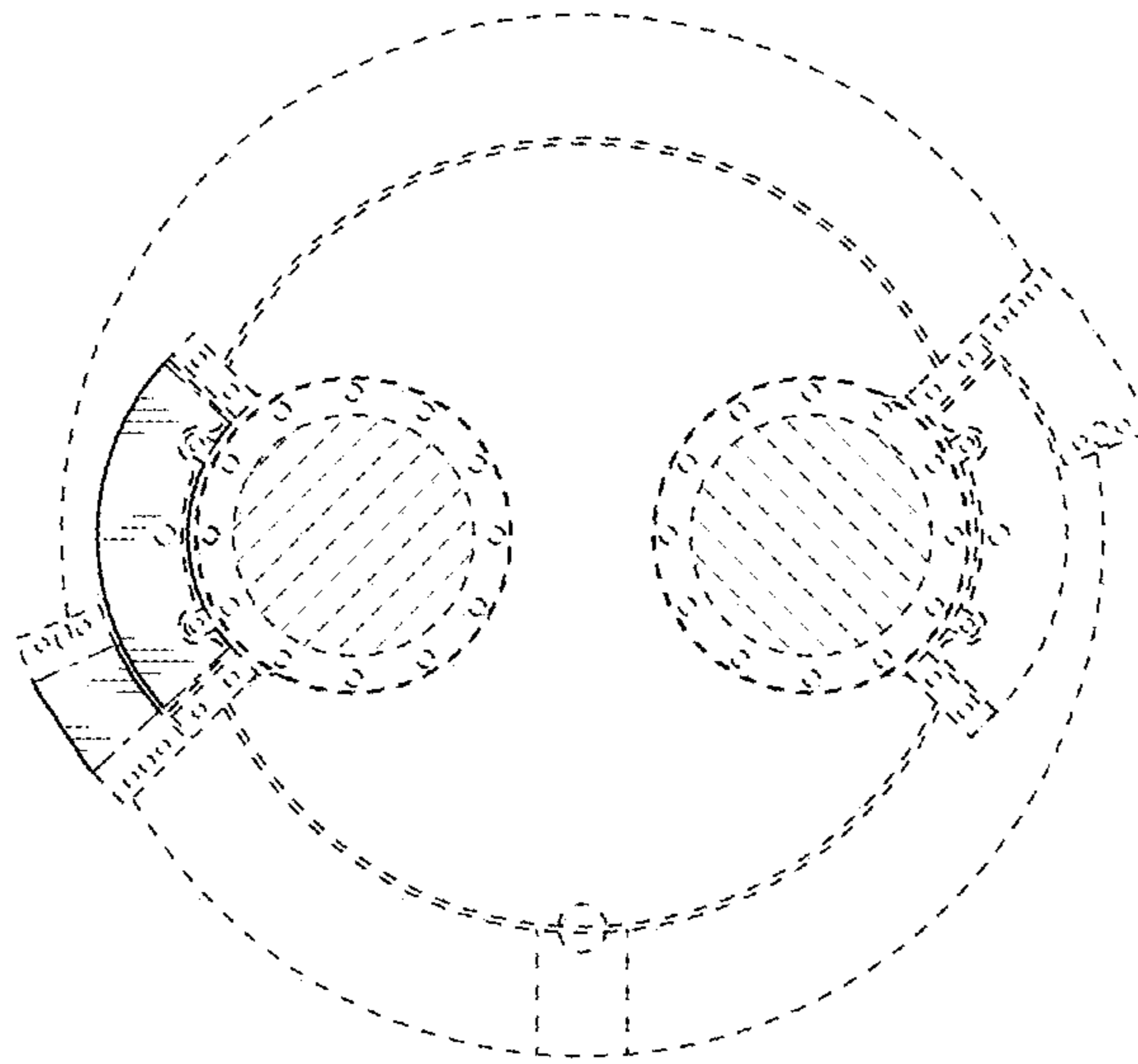


FIG. 10

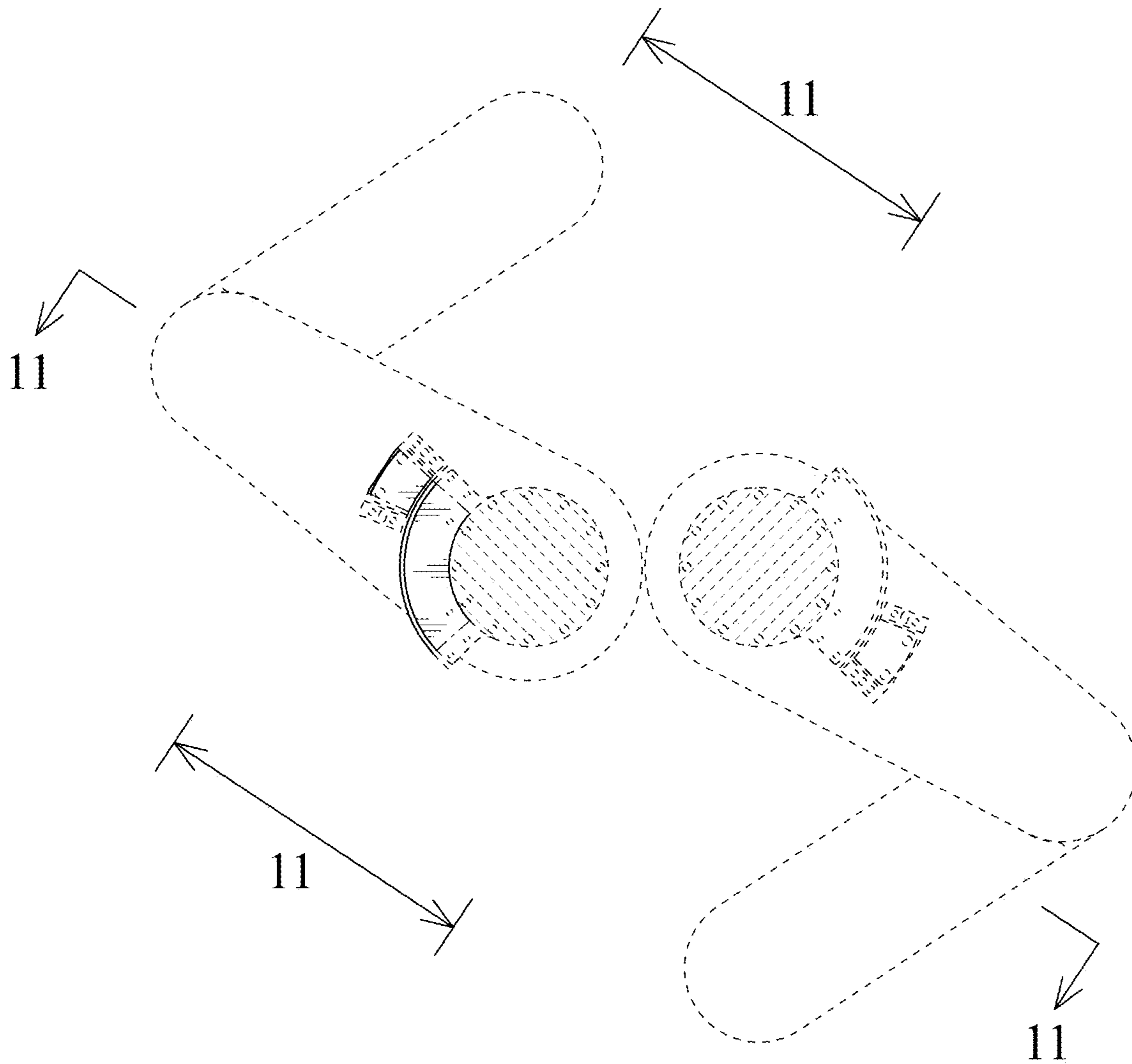


FIG. 11

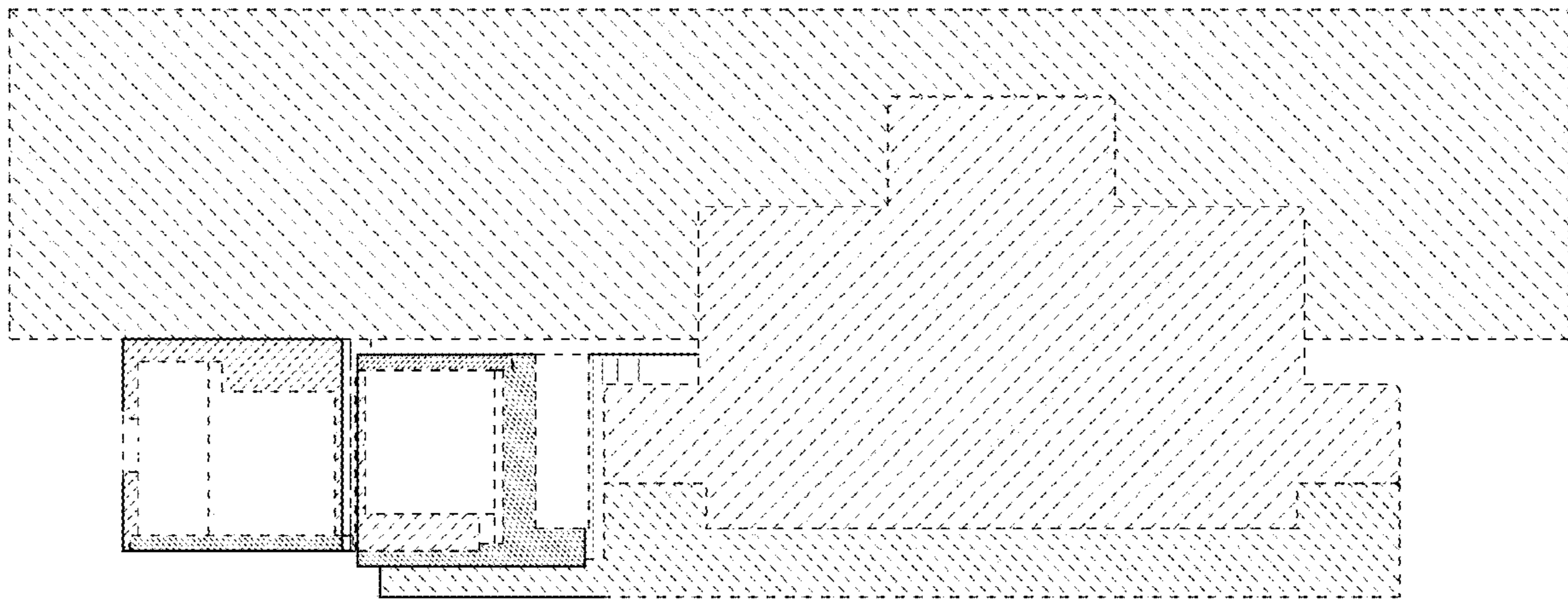


FIG. 12

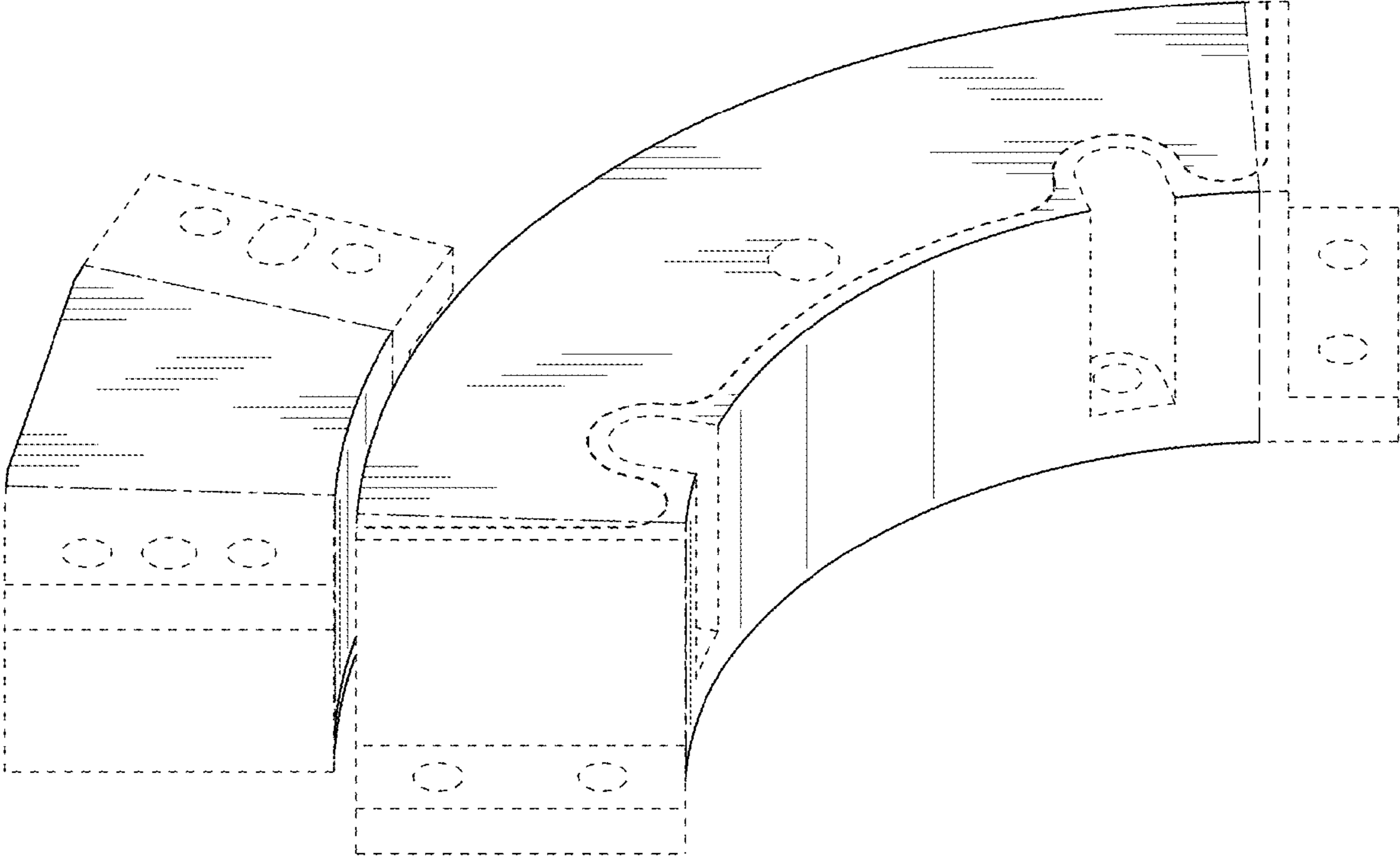


FIG. 13

