



US00D892879S

(12) **United States Design Patent**
Suh

(10) **Patent No.:** **US D892,879 S**

(45) **Date of Patent:** **** Aug. 11, 2020**

(54) **ROBOT**

(71) Applicant: **VARRAM SYSTEM CO., LTD.**,
Yuseong-gu, Daejeon (KR)

(72) Inventor: **Byung Jo Suh**, Daejeon (KR)

(73) Assignee: **VARRAM SYSTEM CO., LTD.**,
Yuseong-Gu, Daejeon (KR)

(**) Term: **15 Years**

(21) Appl. No.: **29/657,763**

(22) Filed: **Jul. 25, 2018**

(30) **Foreign Application Priority Data**

Jul. 11, 2018 (KR) 30-2018-0032071

(51) **LOC (12) Cl.** **15-99**

(52) **U.S. Cl.**
USPC **D15/199**

(58) **Field of Classification Search**
USPC D15/199; D12/1; D21/369, 578-583,
D21/621, 622; D32/21
CPC G05D 1/0088; G05D 1/0223; G05D
2201/0211
See application file for complete search history.

(56) **References Cited**

U.S. PATENT DOCUMENTS

D248,686 S * 7/1978 Greenberg D21/803
D443,738 S * 6/2001 Makihara D32/21

D760,459 S * 6/2016 Carter D32/31
D767,833 S * 9/2016 Carter D32/21
D779,375 S * 2/2017 Zeng D12/1
D784,198 S * 4/2017 Zhu D12/1
D786,130 S * 5/2017 Huang D12/1
D808,095 S * 1/2018 Sebor D32/21
D817,374 S * 5/2018 Liu D15/199
D817,811 S * 5/2018 Wang D12/1
D823,562 S * 7/2018 Yamanouchi D32/21
D823,563 S * 7/2018 Ninomiya D32/21
D823,564 S * 7/2018 Koyama D32/21
D834,448 S * 11/2018 Wang D12/1
D839,132 S * 1/2019 Cuban D12/1

* cited by examiner

Primary Examiner — Patricia A Palasik

(74) *Attorney, Agent, or Firm* — Davis & Bujold PLLC;
Michael J. Bujold

(57) **CLAIM**

I claim the ornamental design for a robot, as shown and described.

DESCRIPTION

FIG. 1 is a perspective view of a robot embodying my/our new design;

FIG. 2 is a front elevational view thereof;

FIG. 3 is a rear elevational view thereof;

FIG. 4 is a left side elevational view thereof;

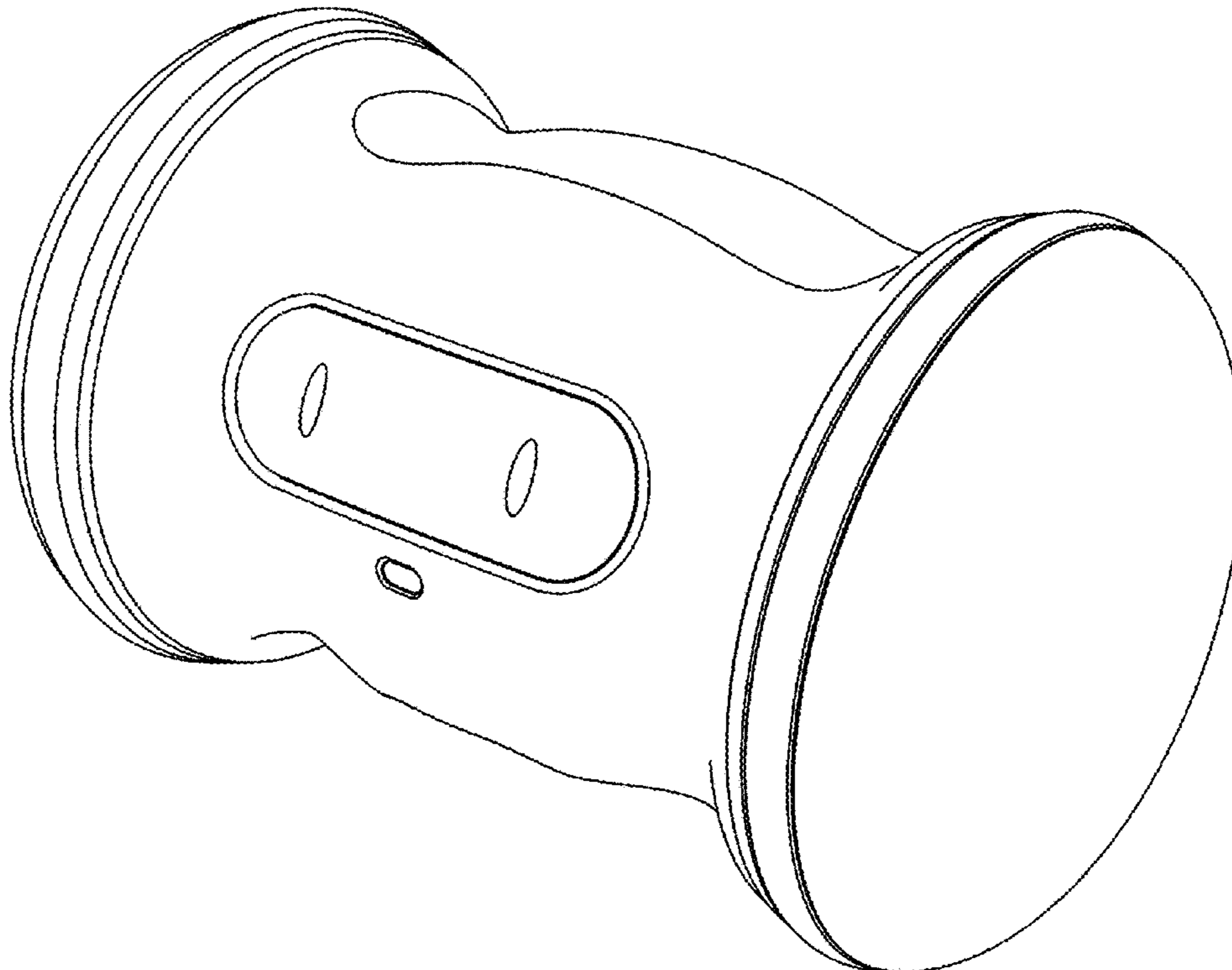
FIG. 5 is a right side elevational view thereof;

FIG. 6 is a top plan view thereof; and,

FIG. 7 is a bottom plan view thereof.

The broken lines in the drawings depict portions of the robot that form no part of the claimed design.

1 Claim, 7 Drawing Sheets



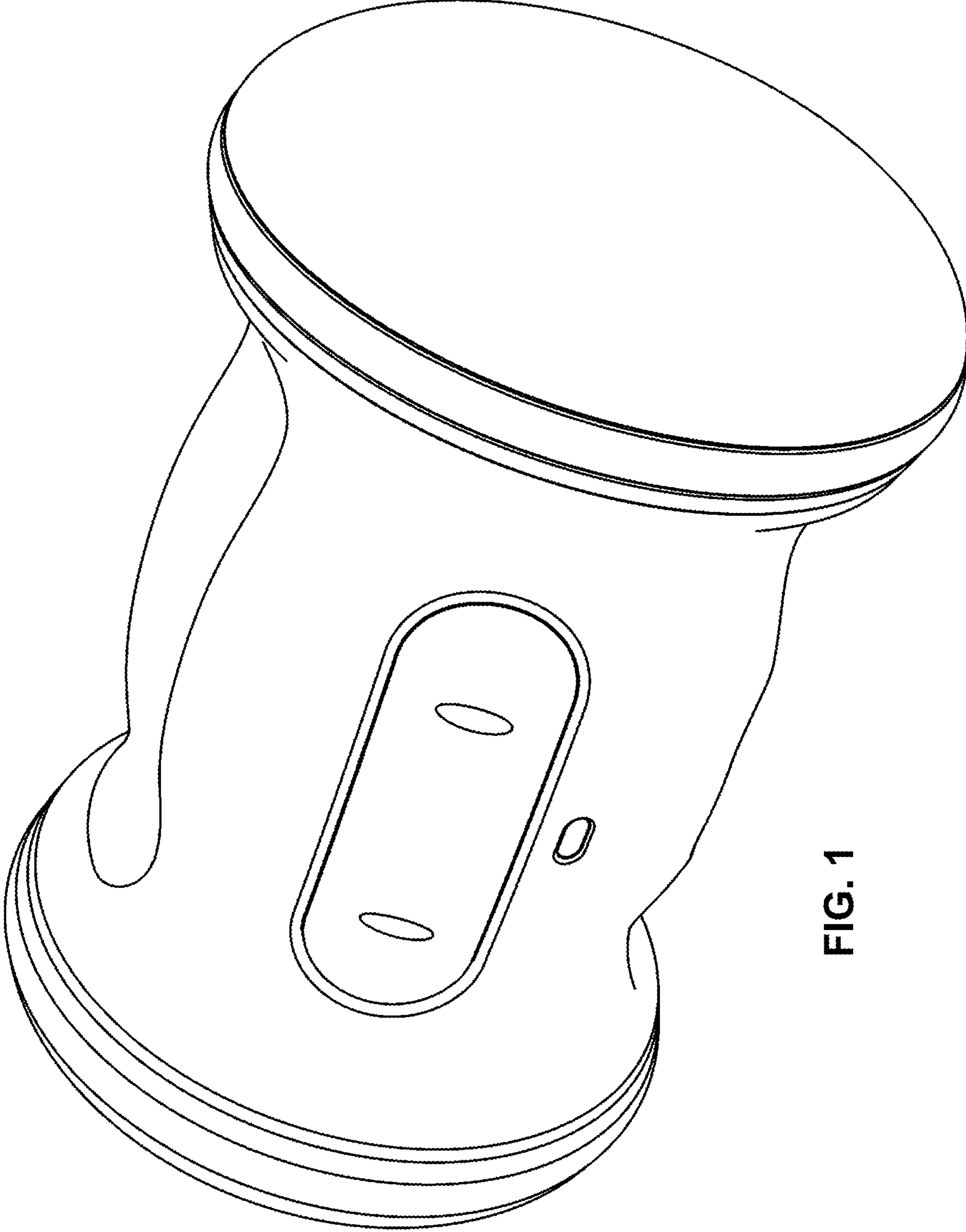


FIG. 1

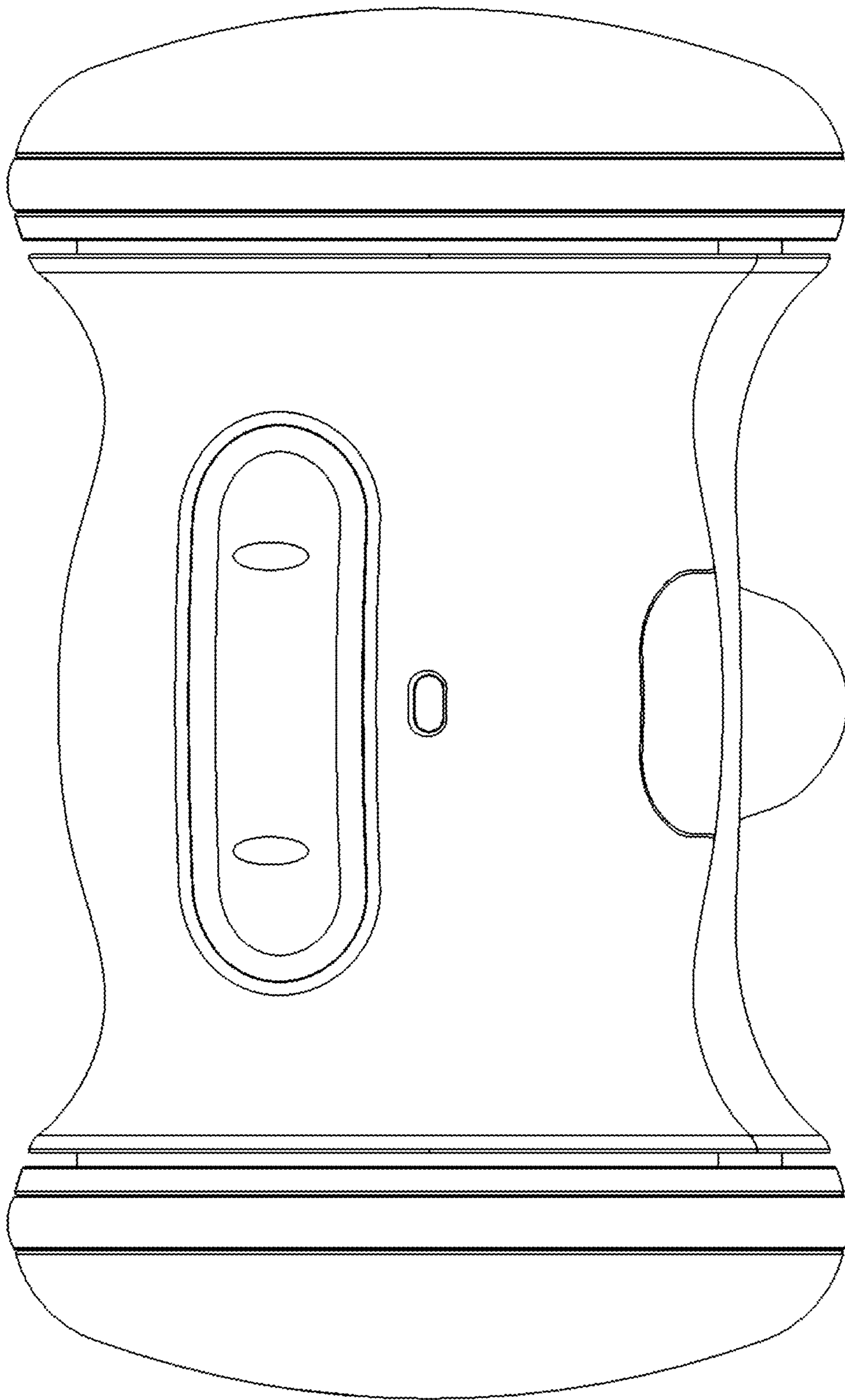


FIG. 2

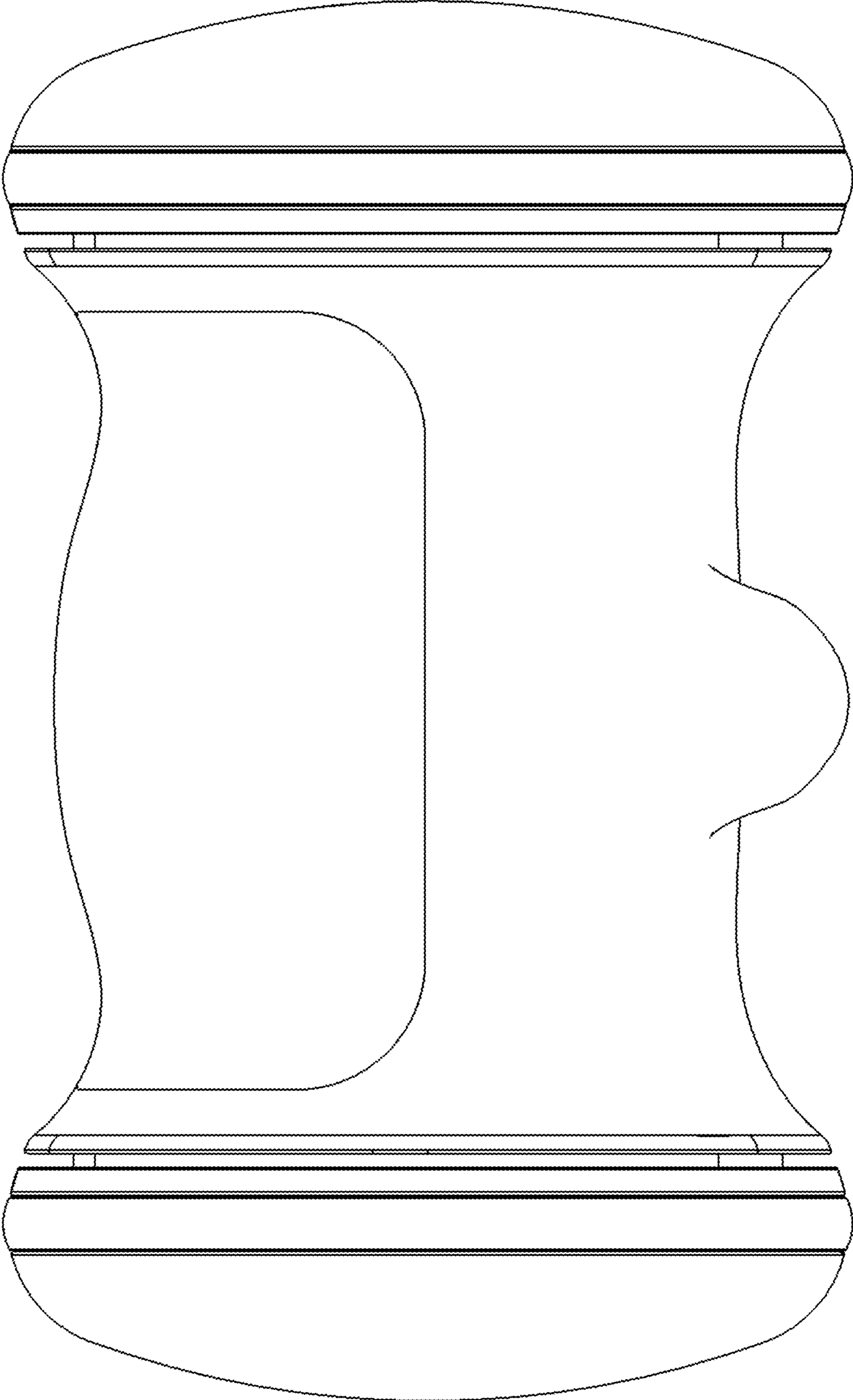


FIG. 3

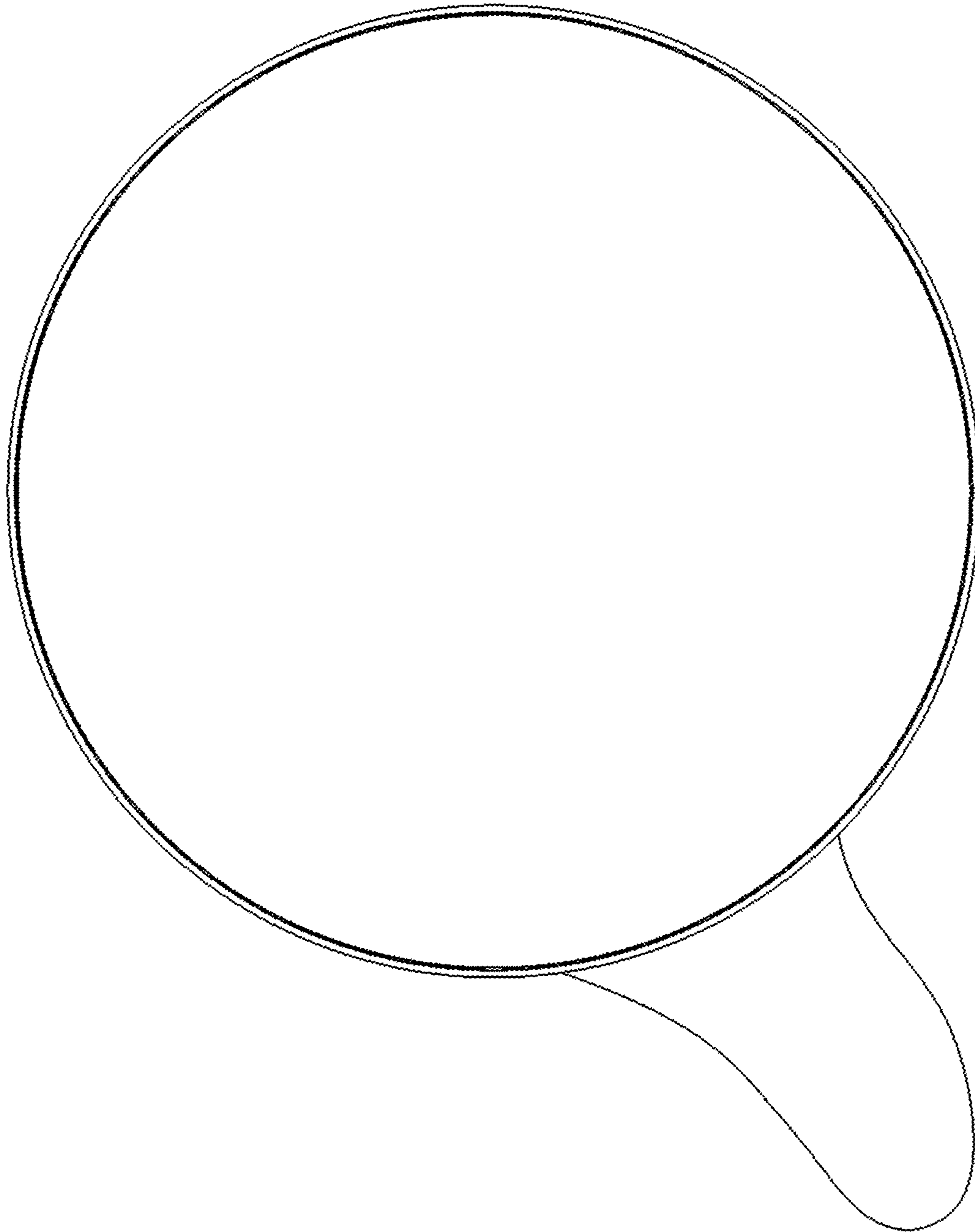


FIG. 4

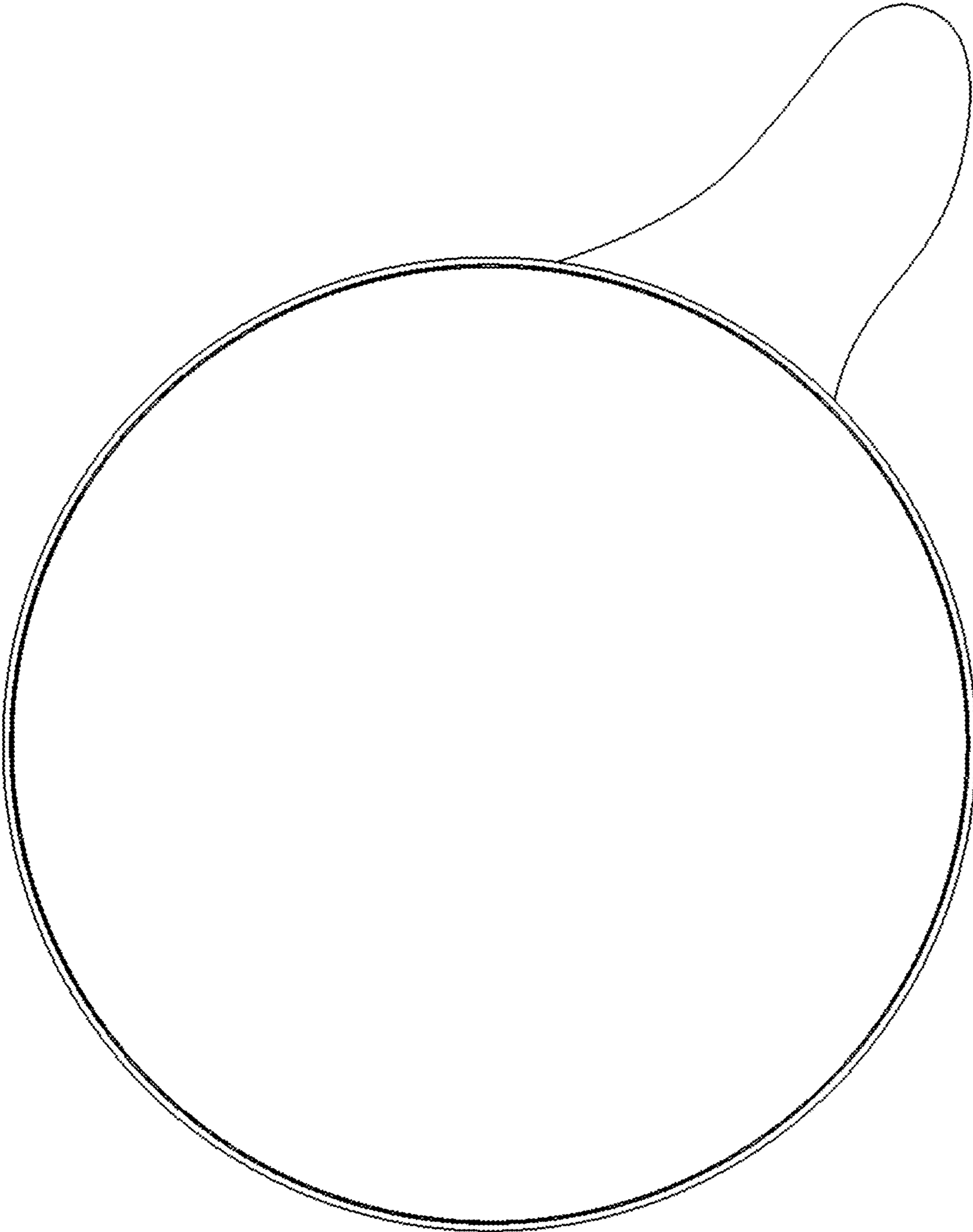


FIG. 5

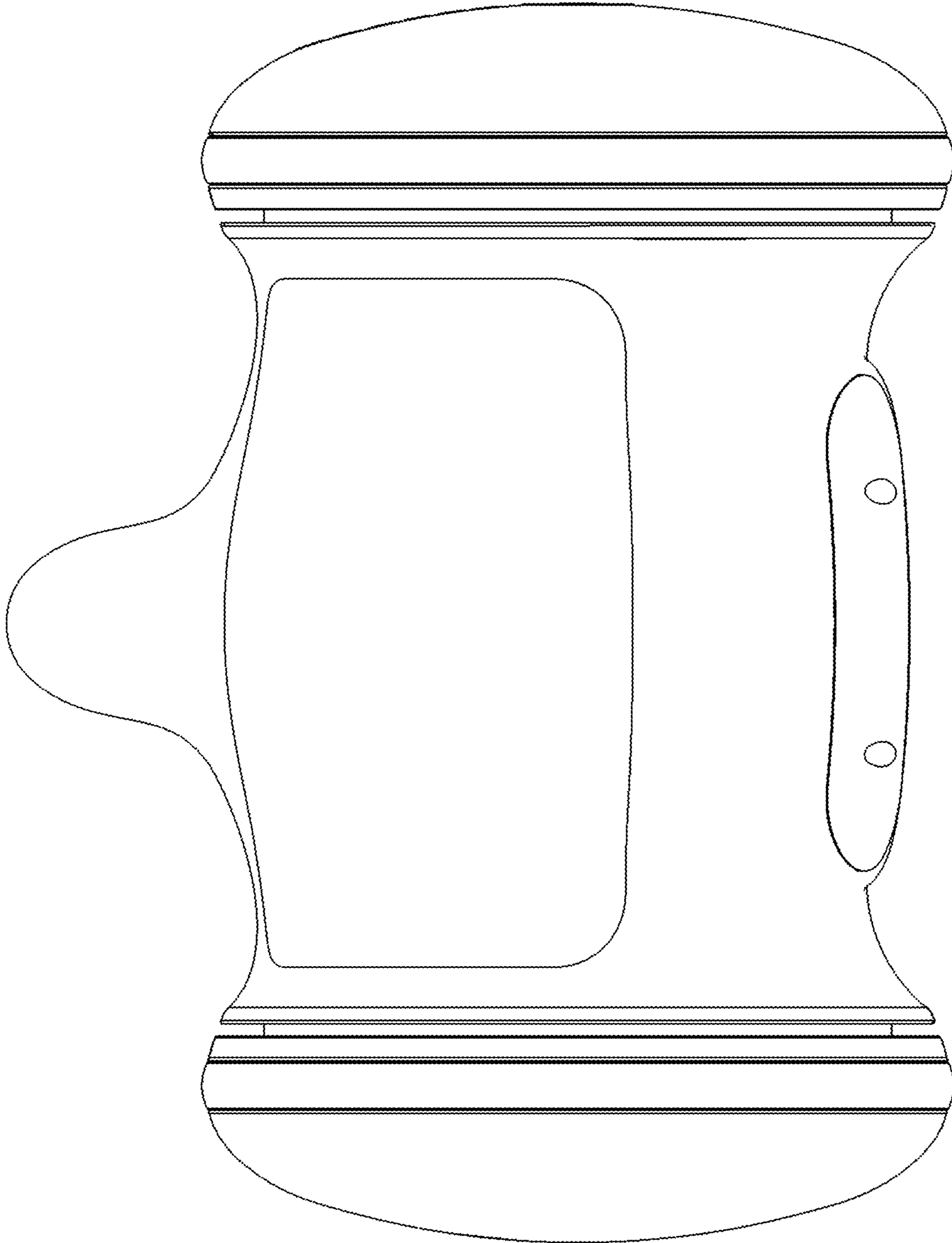


FIG. 6

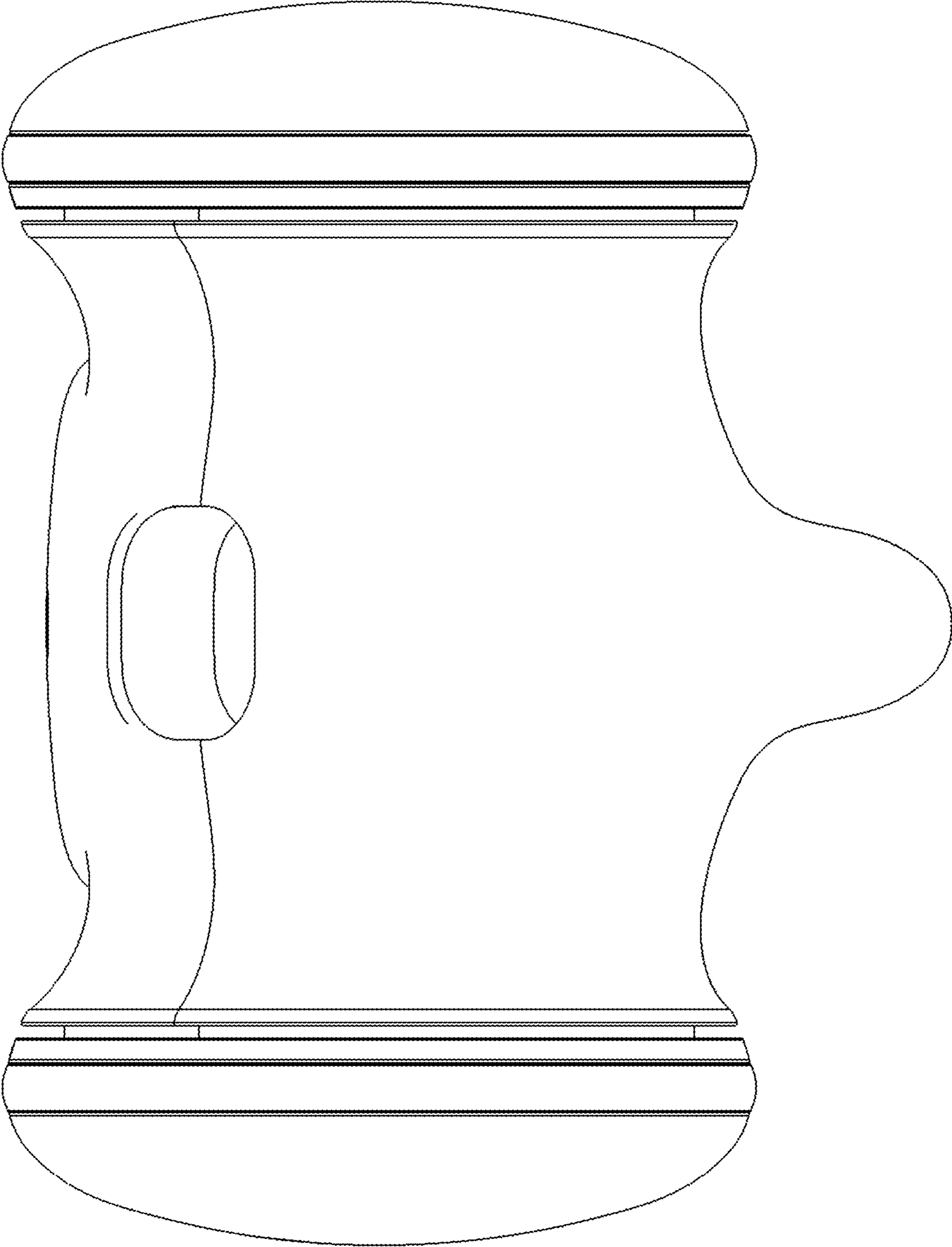


FIG. 7