

US00D892878S

(12) **United States Design Patent**
Liu

(10) **Patent No.:** **US D892,878 S**

(45) **Date of Patent:** **** Aug. 11, 2020**

- (54) **TRANSMISSION COOLER FOR AUTOMOTIVE APPLICATIONS**
- (71) Applicant: **RESOURCE INTERNATIONAL INC.**, New Castle, DE (US)
- (72) Inventor: **Ye Liu**, Elkton, MD (US)
- (**) Term: **15 Years**
- (21) Appl. No.: **29/681,797**
- (22) Filed: **Feb. 28, 2019**
- (51) **LOC (12) Cl.** **15-09**
- (52) **U.S. Cl.**
USPC **D15/149**; D13/179
- (58) **Field of Classification Search**
USPC 13/179, 182; 14/435, 436, 447; 15/148, 15/149, 199; 23/330; 26/63, 141, 142, 26/152
CPC F01P 11/04; F01P 11/08; F01P 2060/00; F01P 2060/045; F28D 1/0408; Y10S 165/916
See application file for complete search history.

(56) **References Cited**

U.S. PATENT DOCUMENTS

- 1,538,827 A * 5/1925 Lamblin F01P 11/08 165/76
- 2,264,820 A * 12/1941 Young F01P 3/18 165/82
- 3,208,438 A * 9/1965 White F01P 11/02 123/41.5
- 4,167,969 A * 9/1979 Ritzenthaler F01P 11/08 165/51
- 4,545,334 A * 10/1985 Nakagawa F01P 11/08 123/196 AB
- 5,121,790 A * 6/1992 Persson F28D 9/0043 165/140
- 5,538,077 A * 7/1996 So F28F 9/0234 165/109.1

- 6,196,304 B1 * 3/2001 Schwarz F28D 1/0325 165/11.1
- 6,206,089 B1 * 3/2001 Uchikawa F28D 7/106 165/109.1
- 6,394,176 B1 * 5/2002 Marsais F25B 39/04 165/134.1
- 6,422,182 B1 * 7/2002 Ohta B60K 11/04 123/41.29
- 6,591,896 B1 * 7/2003 Hansen F01P 3/18 123/196 AB
- D638,376 S * 5/2011 Herrmann D13/179
- 8,752,522 B1 * 6/2014 Cohen F01P 3/18 123/195 A
- D848,960 S * 5/2019 Fan D13/179
- 2011/0304979 A1 * 12/2011 Peterson G06F 1/20 361/679.47

(Continued)

Primary Examiner — Patricia A Palasik

(74) *Attorney, Agent, or Firm* — Cozen O'Connor

(57) **CLAIM**

The ornamental design for transmission cooler for automotive applications, as shown and described.

DESCRIPTION

FIG. 1 is a front view of a transmission cooler for automotive applications showing a new design in accordance with one embodiment;

FIG. 2 is a back view thereof;

FIG. 3 is a left view thereof;

FIG. 4 is a right view thereof;

FIG. 5 is a bottom view thereof;

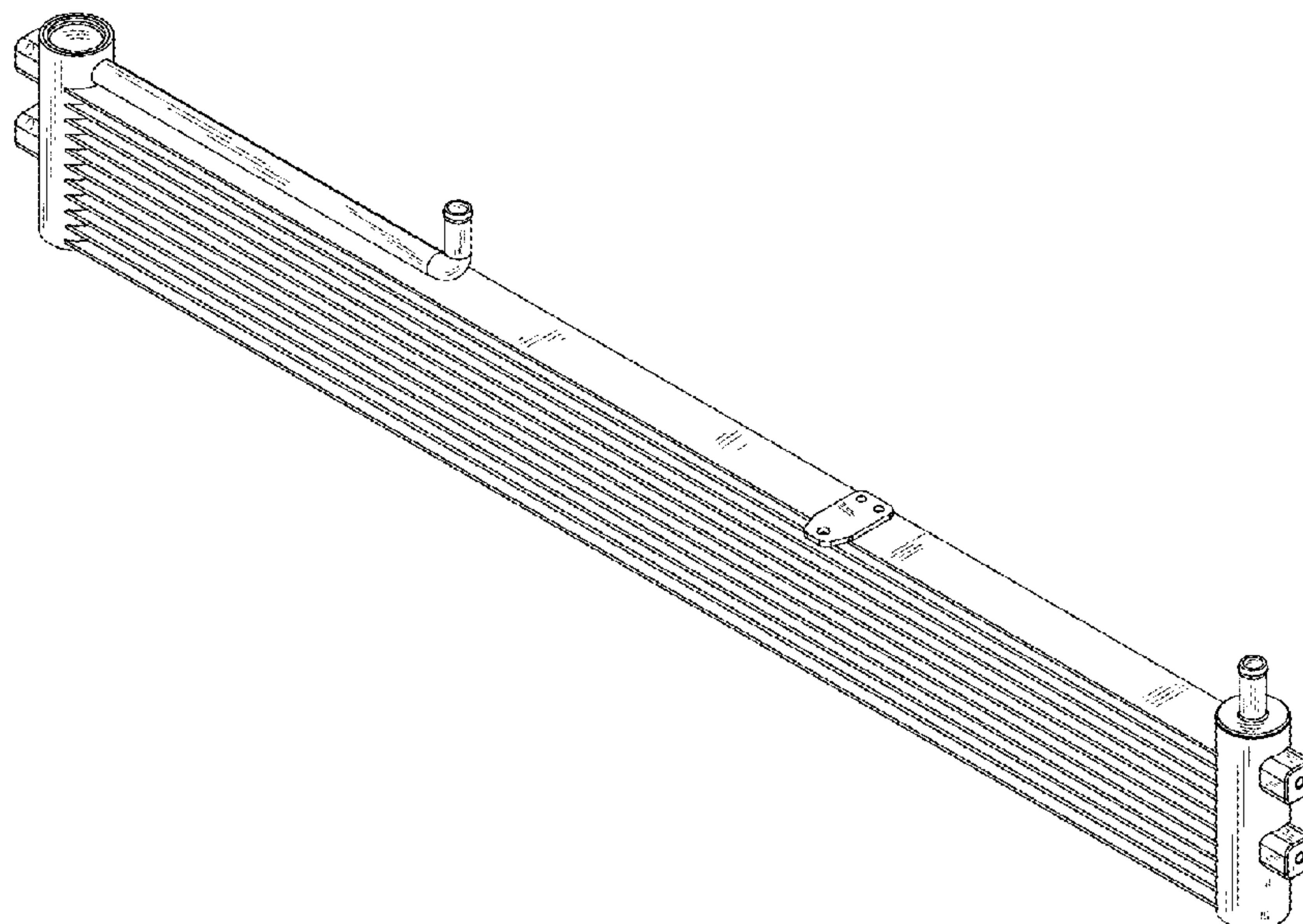
FIG. 6 is top view thereof; and,

FIG. 7 is a front perspective view thereof.

The broken lines in the drawing figures show portions of the transmission cooler which form no part of the claimed design.

The shade lines in the figures show contour and not surface ornamentation.

1 Claim, 4 Drawing Sheets



(56)

References Cited

U.S. PATENT DOCUMENTS

2015/0369114 A1* 12/2015 Bruss F01P 3/00
123/41.33
2016/0177811 A1* 6/2016 Tanahashi H05F 3/04
123/41.55
2018/0292138 A1* 10/2018 Roberts F28D 1/0408

* cited by examiner

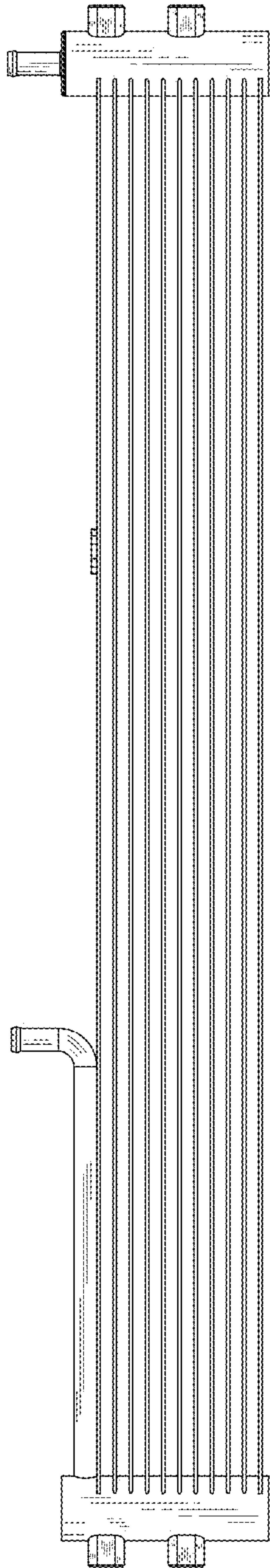


FIGURE 1

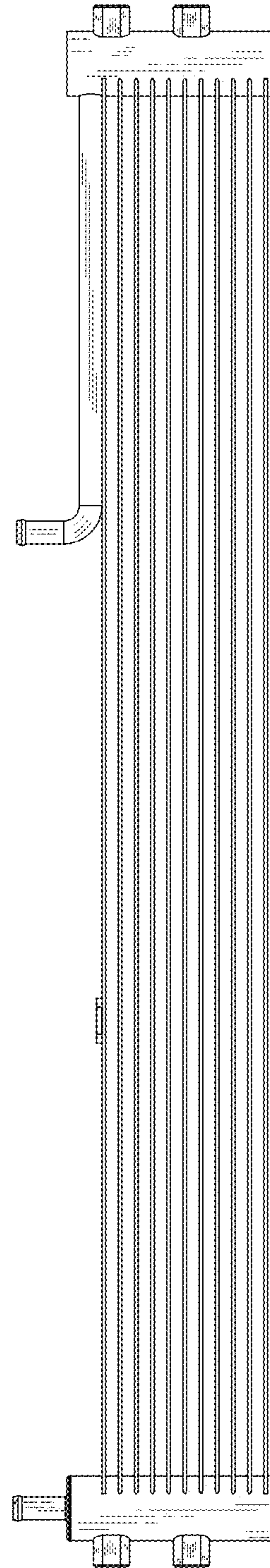


FIGURE 2

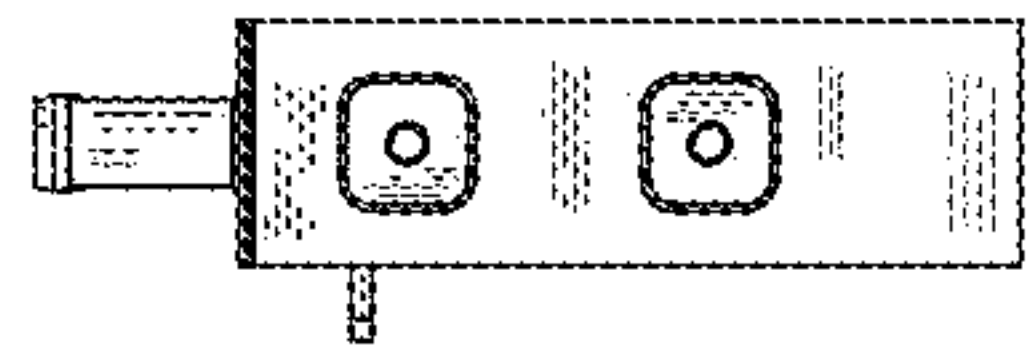


FIGURE 3

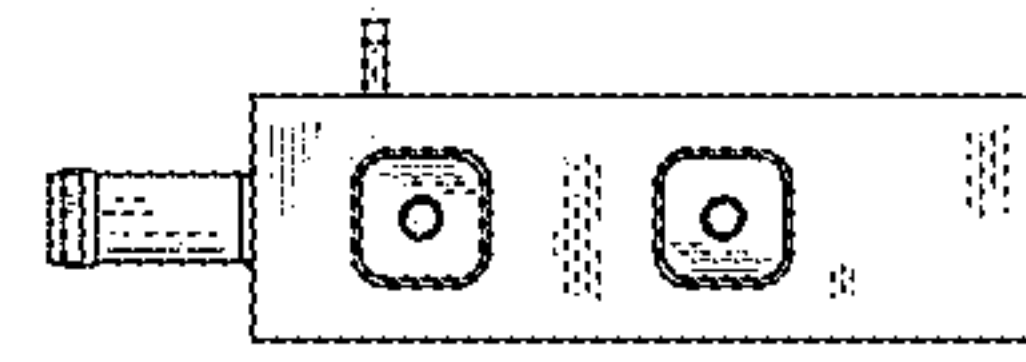


FIGURE 4

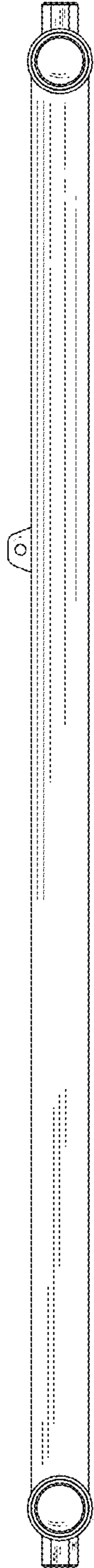


FIGURE 5

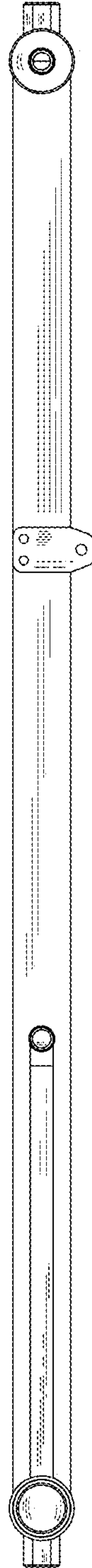


FIGURE 6

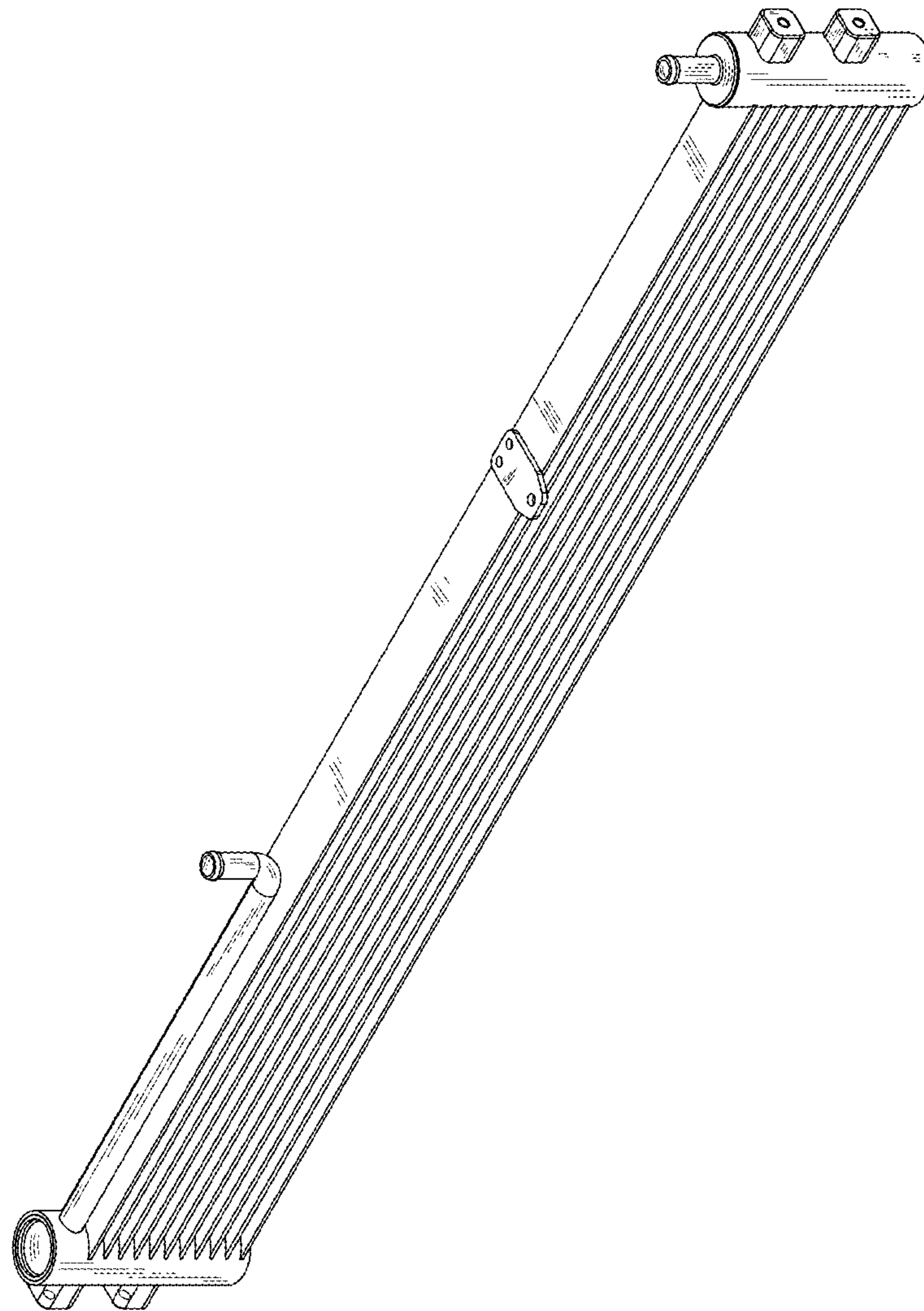


FIGURE 7