



US00D892877S

(12) **United States Design Patent**  
**Wettig**

(10) **Patent No.:** **US D892,877 S**

(45) **Date of Patent:** **\*\* Aug. 11, 2020**

- (54) **TRANSMISSION COOLER FOR AUTOMOTIVE APPLICATIONS**
- (71) Applicant: **RESOURCE INTERNATIONAL INC.**, New Castle, DE (US)
- (72) Inventor: **Jason Wettig**, Abingdon, MD (US)
- (\*\*) Term: **15 Years**
- (21) Appl. No.: **29/681,796**
- (22) Filed: **Feb. 28, 2019**
- (51) **LOC (12) Cl.** ..... **15-09**
- (52) **U.S. Cl.**  
USPC ..... **D15/149**; D13/179
- (58) **Field of Classification Search**  
USPC ..... D13/179, 182; D14/435, 436, 447;  
D15/148, 149, 199; D23/330; D26/63,  
D26/141, 142, 152  
CPC ..... F01P 11/04; F01P 11/08; F01P 2060/00;  
F01P 2060/045; F28D 1/0408; Y10S  
165/916  
See application file for complete search history.

(56) **References Cited**

U.S. PATENT DOCUMENTS

- 1,538,827 A \* 5/1925 Lamblin ..... F01P 11/08  
165/76
- 2,264,820 A \* 12/1941 Young ..... F01P 3/18  
165/82
- 3,208,438 A \* 9/1965 White ..... F01P 11/02  
123/41.5
- 4,167,969 A \* 9/1979 Ritzenthaler ..... F01P 11/08  
165/51
- 4,545,334 A \* 10/1985 Nakagawa ..... F01P 11/08  
123/196 AB
- 5,121,790 A \* 6/1992 Persson ..... F28D 9/0043  
165/140
- 5,538,077 A \* 7/1996 So ..... F28F 9/0234  
165/109.1

- 6,196,304 B1 \* 3/2001 Schwarz ..... F28D 1/0325  
165/11.1
- 6,206,089 B1 \* 3/2001 Uchikawa ..... F28D 7/106  
165/109.1
- 6,394,176 B1 \* 5/2002 Marsais ..... F25B 39/04  
165/134.1
- 6,422,182 B1 \* 7/2002 Ohta ..... B60K 11/04  
123/41.29
- 6,591,896 B1 \* 7/2003 Hansen ..... F01P 3/18  
123/196 AB
- D638,376 S \* 5/2011 Herrmann ..... D13/179
- 8,752,522 B1 \* 6/2014 Cohen ..... F01P 3/18  
123/195 A
- D848,960 S \* 5/2019 Fan ..... D13/179
- 2011/0304979 A1 \* 12/2011 Peterson ..... G06F 1/20  
361/679.47

(Continued)

*Primary Examiner* — Patricia A Palasik

(74) *Attorney, Agent, or Firm* — Cozen O'Connor

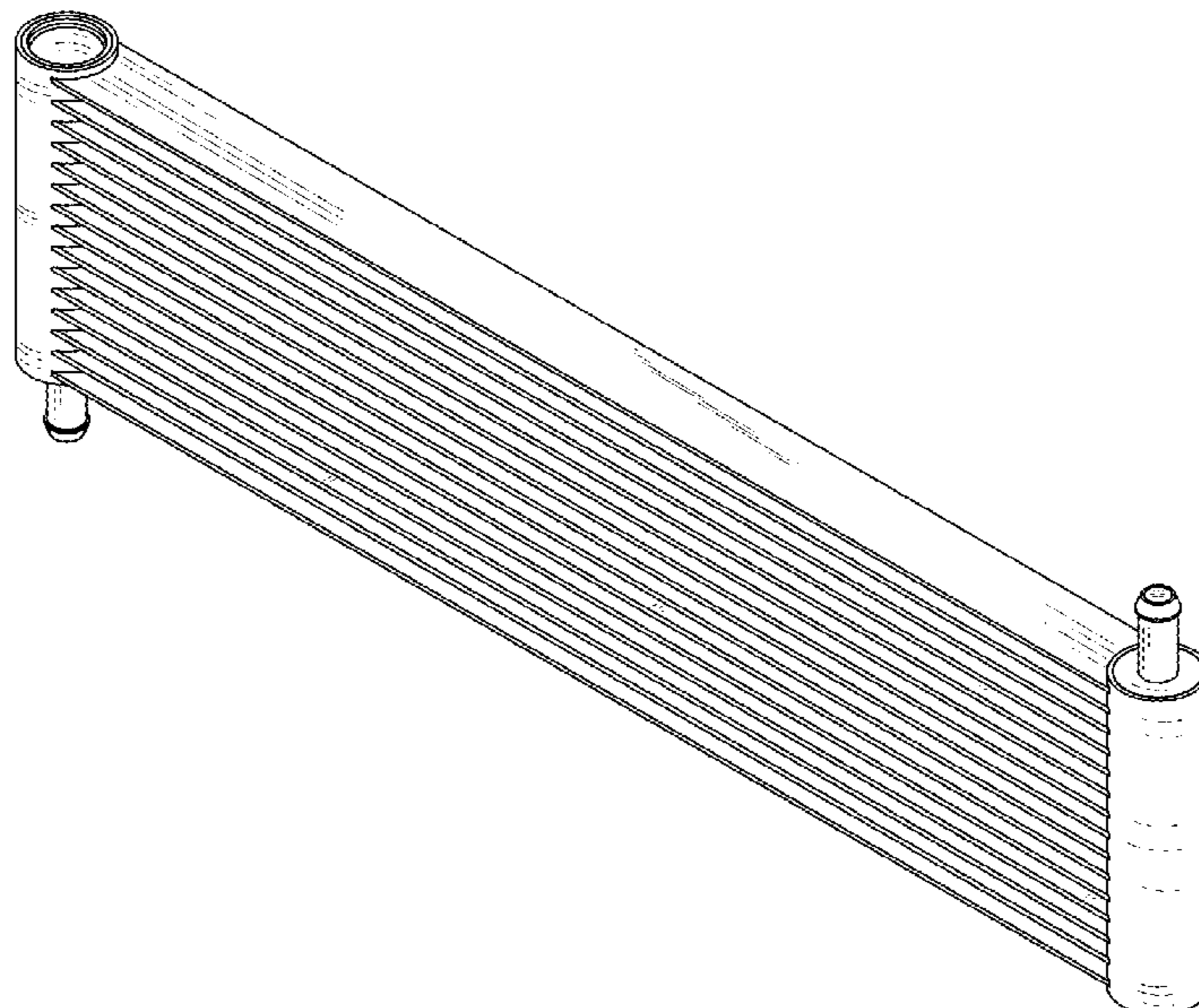
(57) **CLAIM**

The ornamental design for transmission cooler for automotive applications, as shown and described.

**DESCRIPTION**

FIG. 1 is a front view of a transmission cooler showing a new design in accordance with one embodiment;  
 FIG. 2 is a back view thereof;  
 FIG. 3 is a left view thereof;  
 FIG. 4 is a right view thereof;  
 FIG. 5 is a top view thereof;  
 FIG. 6 is bottom view thereof; and,  
 FIG. 7 is a front perspective view thereof.  
 The broken lines in the drawing figures show portions of the transmission cooler which form no part of the claimed design.  
 The shade lines in the figures show contour and not surface ornamentation.

**1 Claim, 4 Drawing Sheets**



(56)

**References Cited**

U.S. PATENT DOCUMENTS

2015/0369114 A1\* 12/2015 Bruss ..... F01P 3/00  
123/41.33  
2016/0177811 A1\* 6/2016 Tanahashi ..... H05F 3/04  
123/41.55  
2018/0292138 A1\* 10/2018 Roberts ..... F28D 1/0408

\* cited by examiner



FIGURE 1



FIGURE 2

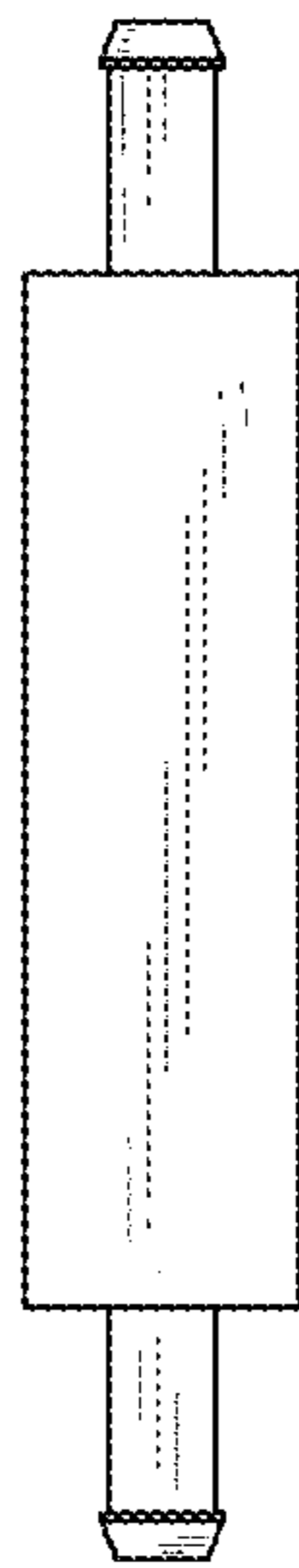


FIGURE 3

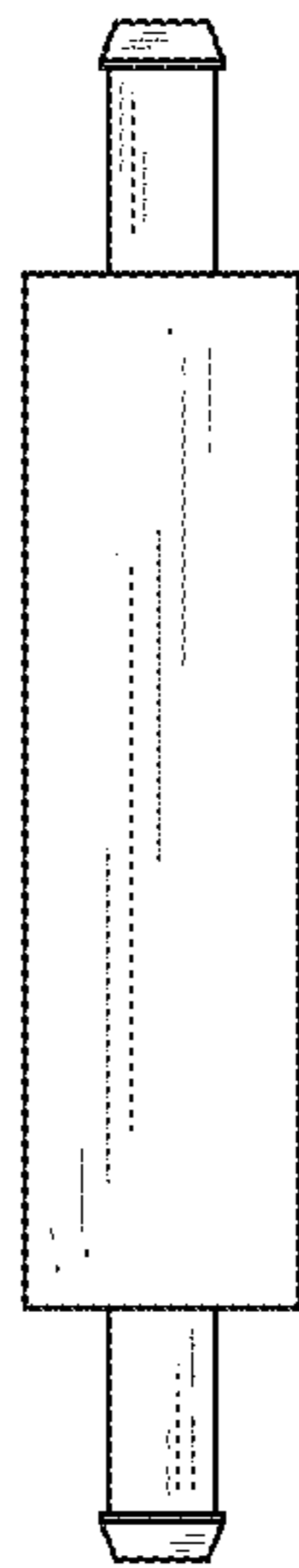


FIGURE 4

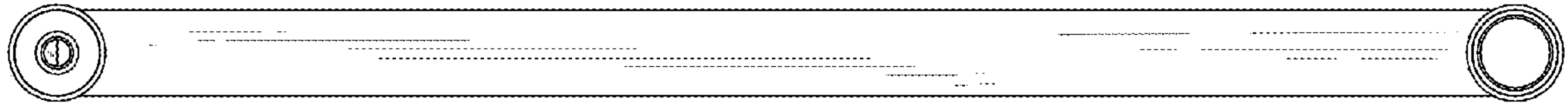


FIGURE 5

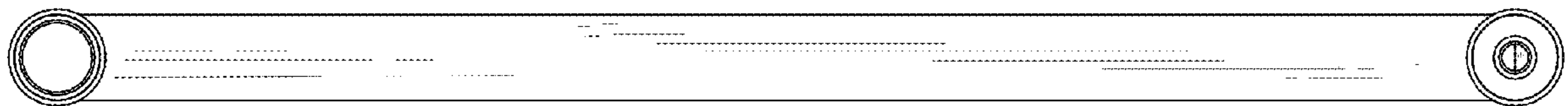


FIGURE 6

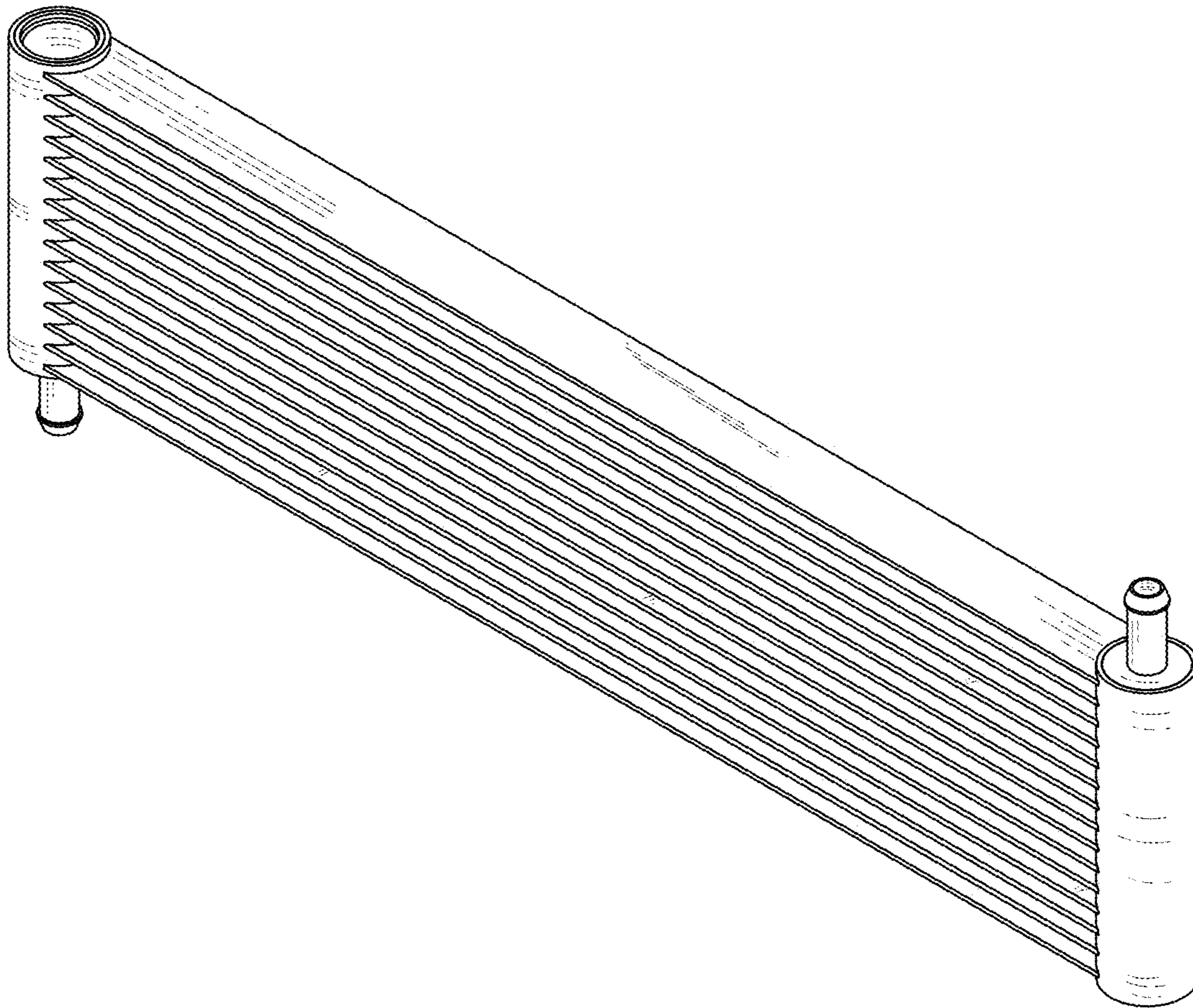


FIGURE 7