



US00D892876S

(12) **United States Design Patent**
Matsubara et al.

(10) **Patent No.:** **US D892,876 S**

(45) **Date of Patent:** **** Aug. 11, 2020**

(54) **CUTTING TOOL**

(71) Applicant: **SUMITOMO ELECTRIC
HARDMETAL CORP.**, Itami-shi,
Hyogo (JP)

(72) Inventors: **Kouki Matsubara**, Itami (JP); **Shota
Takemura**, Itami (JP); **Naoki Matsuda**,
Itami (JP)

(73) Assignee: **SUMITOMO ELECTRIC
HARDMETAL CORP.**, Itami-shi,
Hyogo (JP)

(**) Term: **15 Years**

(21) Appl. No.: **29/686,399**

(22) Filed: **Apr. 4, 2019**

(30) **Foreign Application Priority Data**

Oct. 5, 2018 (JP) 2018-021953

(51) **LOC (12) Cl.** **15-09**

(52) **U.S. Cl.**
USPC **D15/139**

(58) **Field of Classification Search**
USPC D8/20, 70; D15/126, 131, 138, 139, 140
CPC A01G 23/091; B02C 18/182; B23B 27/14;
B23B 27/22; B23B 27/045; B23B 27/141;
B23B 27/143; B23B 2200/321; B23C
5/202; B23C 5/207; B23C 5/2221; B23C
2200/085; B23C 2200/125; B23C
2200/286; B23C 2200/0494; B23C
2210/168; B27B 33/08; B27G 13/10;
Y10T 407/23; Y10T 407/235; Y10T
407/1924

See application file for complete search history.

(56) **References Cited**

U.S. PATENT DOCUMENTS

5,207,538 A * 5/1993 Satran B23C 5/2213
407/113
D342,269 S * 12/1993 Arai D15/139

D454,142 S * 3/2002 Vanberg D15/139
D487,281 S * 3/2004 Roman D15/139
D579,470 S * 10/2008 Maeta D15/139
D595,323 S * 6/2009 Sakata D15/139
D676,072 S * 2/2013 Cox D15/139
D705,281 S * 5/2014 Heinasenaho D15/139
D715,840 S * 10/2014 Park D15/139
D748,703 S * 2/2016 Nam D15/139

(Continued)

Primary Examiner — Patricia A Palasik

(74) *Attorney, Agent, or Firm* — Faegre Drinker Biddle &
Reath LLP

(57) **CLAIM**

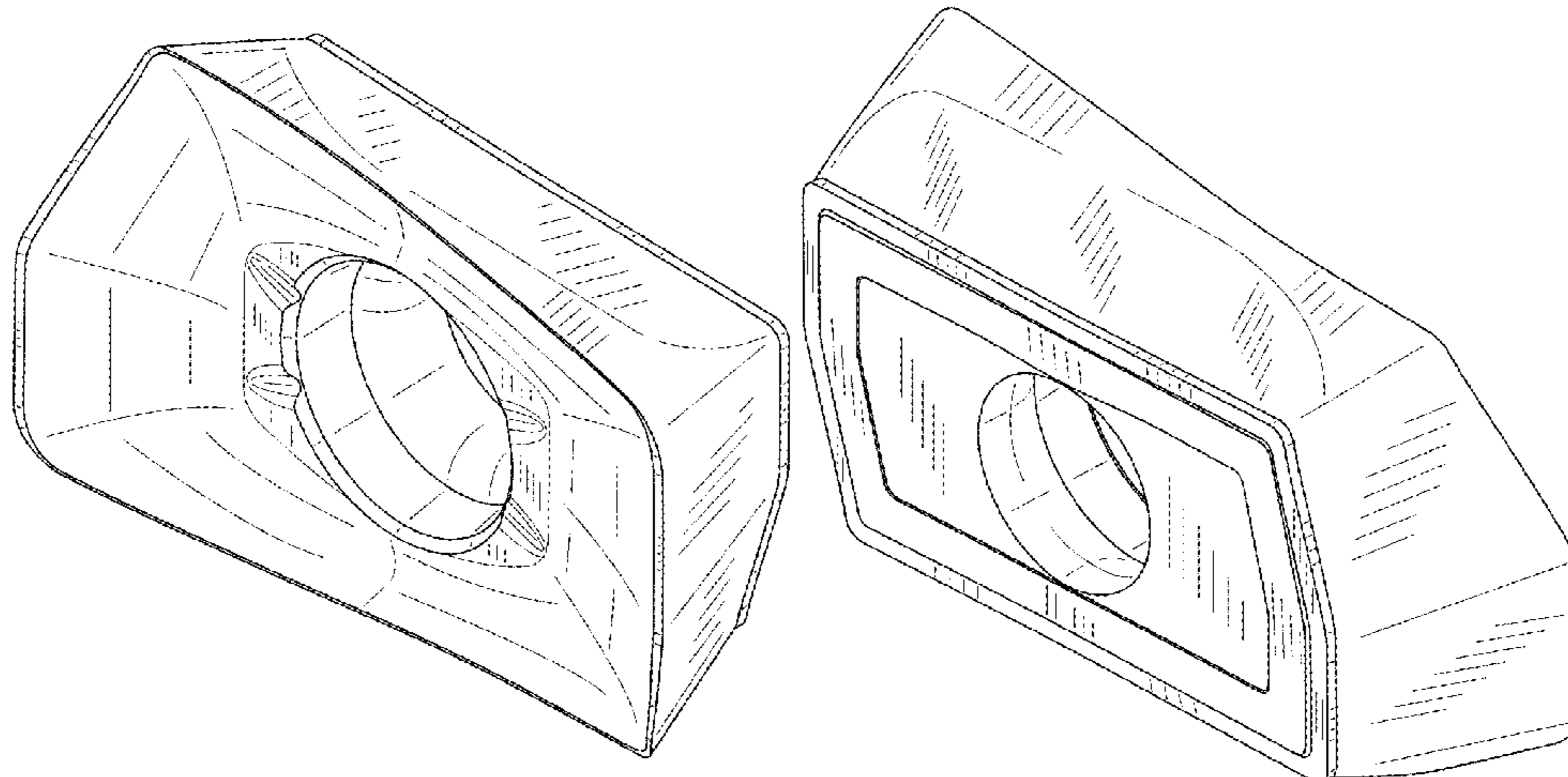
The ornamental design for a cutting tool, as shown and
described.

DESCRIPTION

FIG. 1 is a front view of a cutting tool in accordance with
an embodiment of the present design;
FIG. 2 is a rear view thereof;
FIG. 3 is a right side view thereof;
FIG. 4 is a left side view thereof;
FIG. 5 is a top view thereof;
FIG. 6 is a bottom view thereof;
FIG. 7 is a first perspective view thereof;
FIG. 8 is a second perspective view thereof;
FIG. 9 is a cross sectional view taken along line 9-9 of FIG.
1;
FIG. 10 is a cross sectional view taken along line 10-10 of
FIG. 1;
FIG. 11 is a cross sectional view taken along line 11-11 of
FIG. 1; and,
FIG. 12 is a cross sectional view taken along line 12-12 of
FIG. 1.

The broken lines shown in the cross sectional views repre-
sent portions of the cutting tool that form no part of the
claimed design.

1 Claim, 6 Drawing Sheets



(56)

References Cited

U.S. PATENT DOCUMENTS

D752,664 S *	3/2016	Jung	D15/139
D786,952 S *	5/2017	Jeong	D15/139
D795,318 S *	8/2017	Yoshida	D15/139
D805,566 S *	12/2017	Oh	D15/139
D806,150 S *	12/2017	Komiyama	D15/139
D807,935 S *	1/2018	Dudzinsky	B23C 5/2221 D15/139
D812,443 S *	3/2018	Gonzalez	D8/20
D815,165 S *	4/2018	Morisaki	D15/139
D816,133 S *	4/2018	Mura	D15/139
D816,134 S *	4/2018	Mura	D15/139
D816,744 S *	5/2018	Lee	D15/139

* cited by examiner

FIG.1

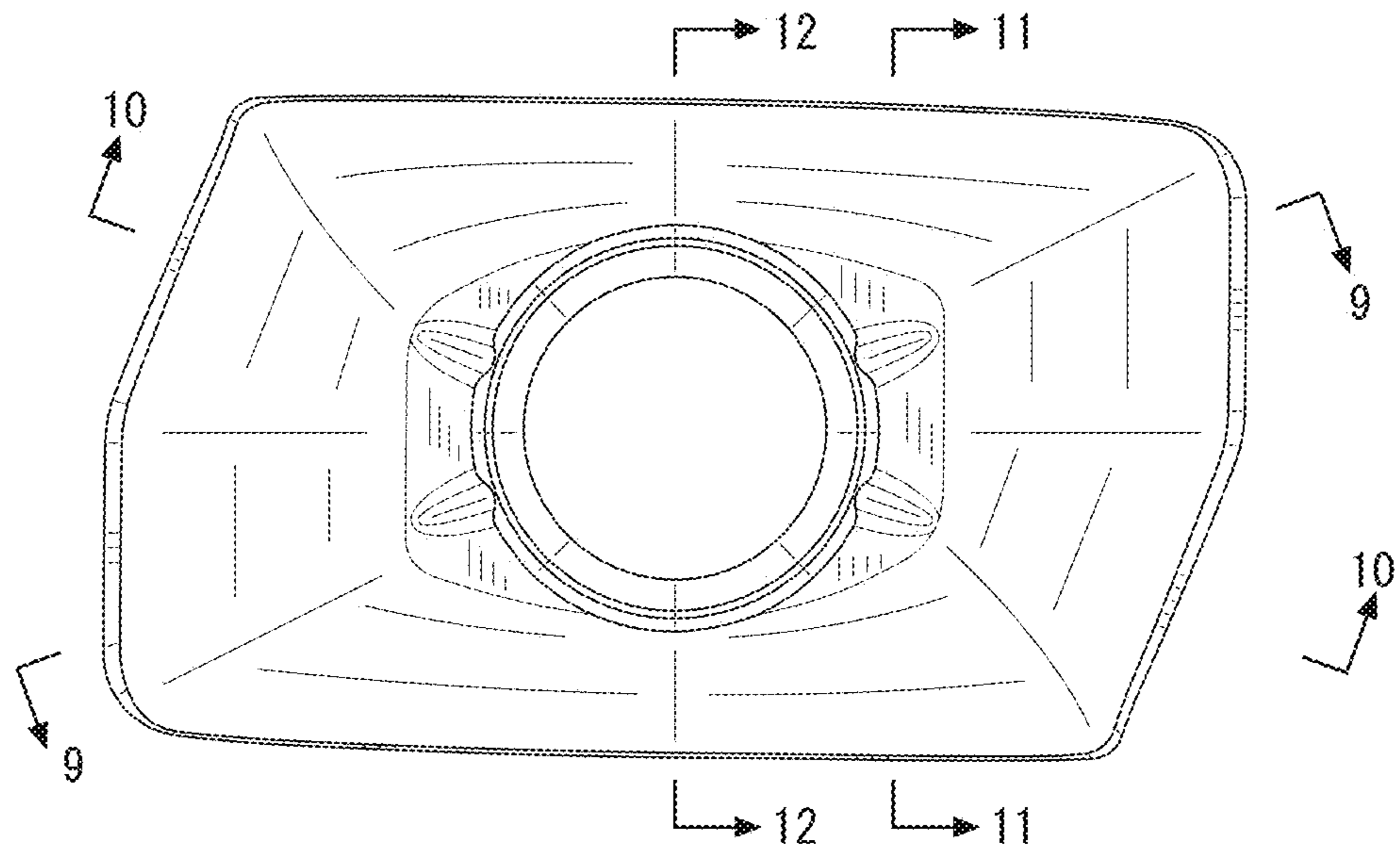


FIG.2

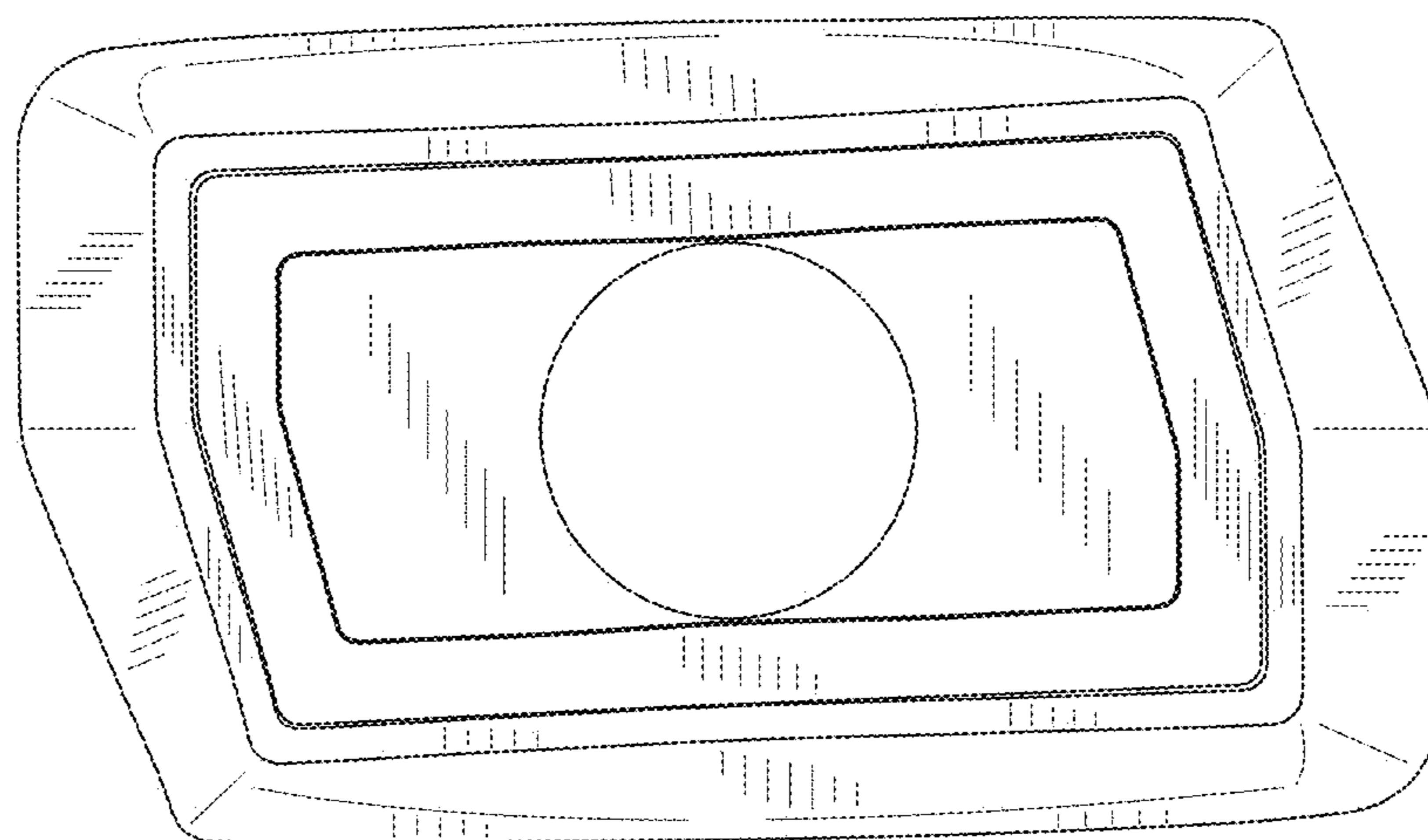


FIG.3

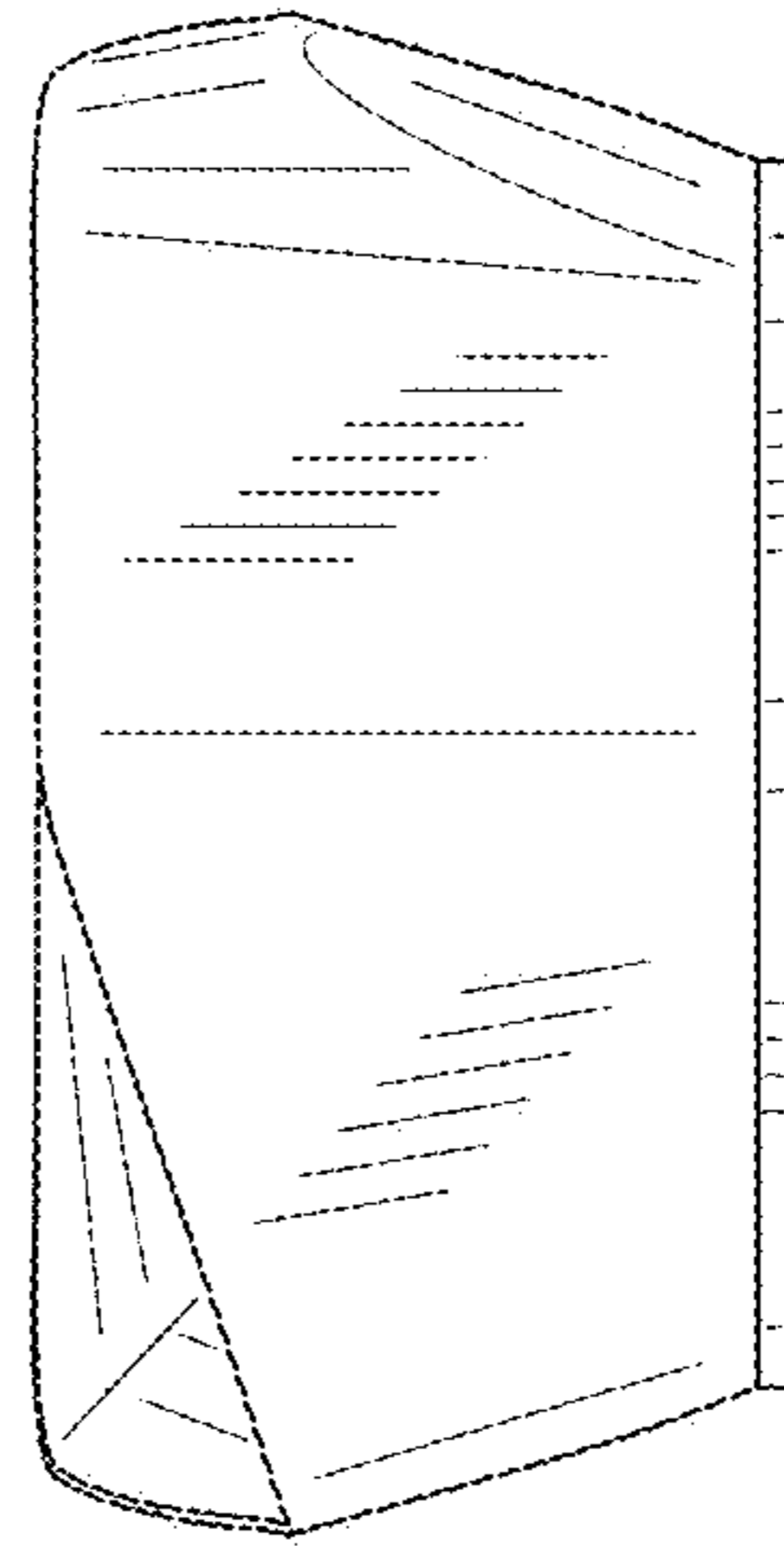


FIG.4

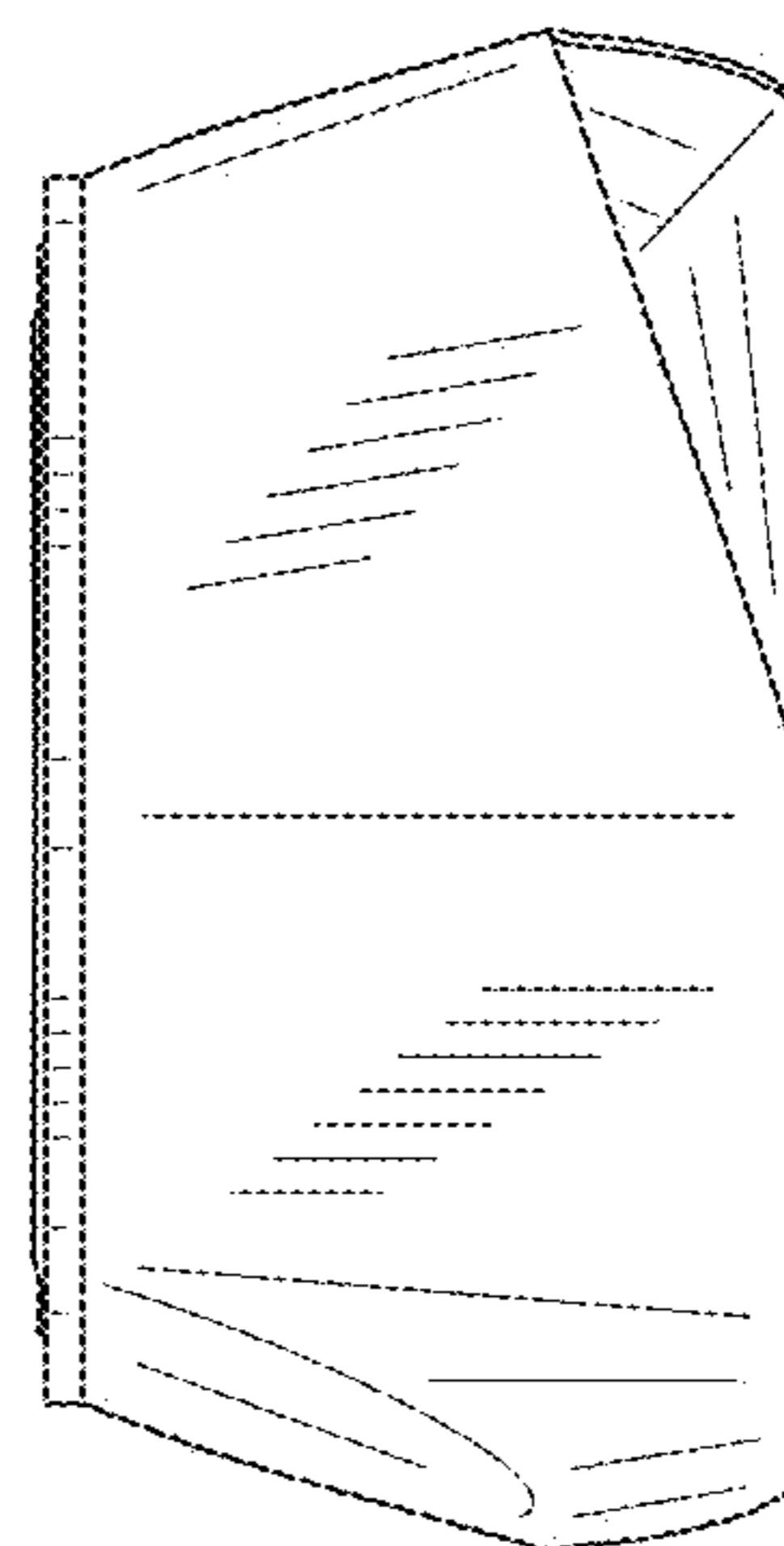


FIG.5

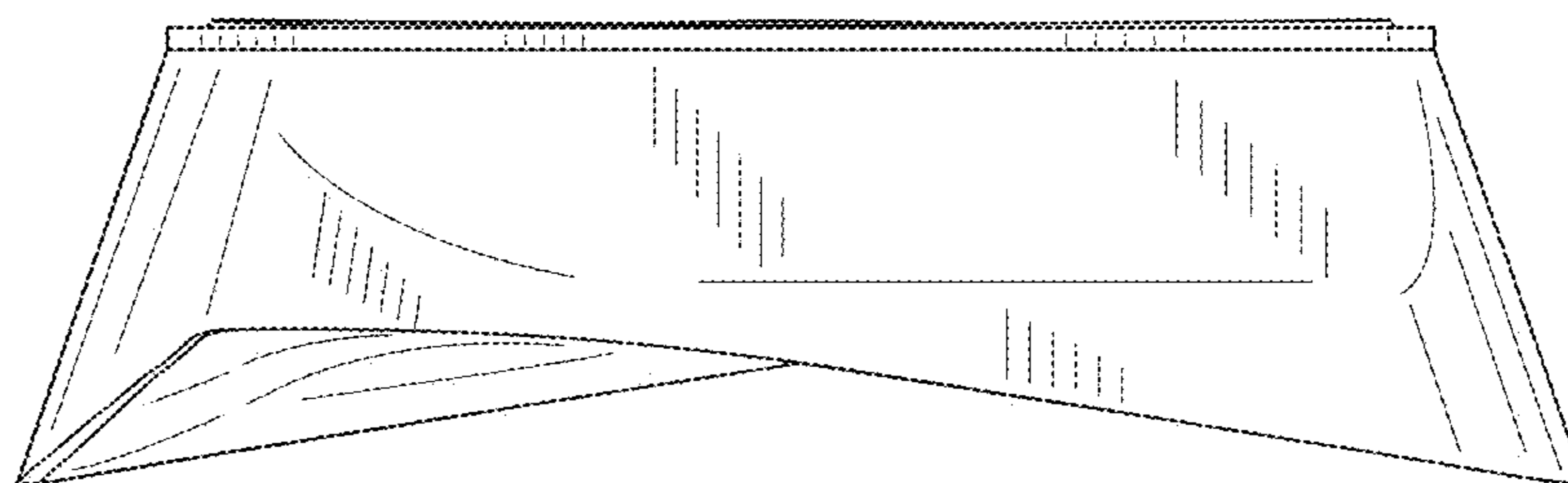


FIG.6

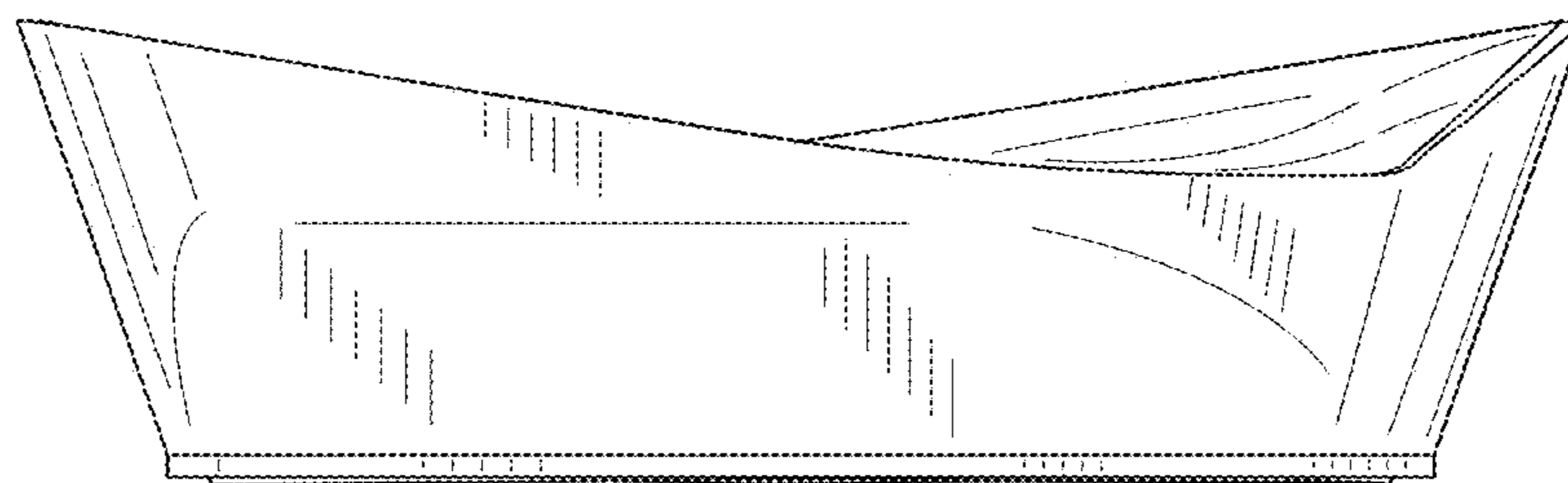


FIG.7

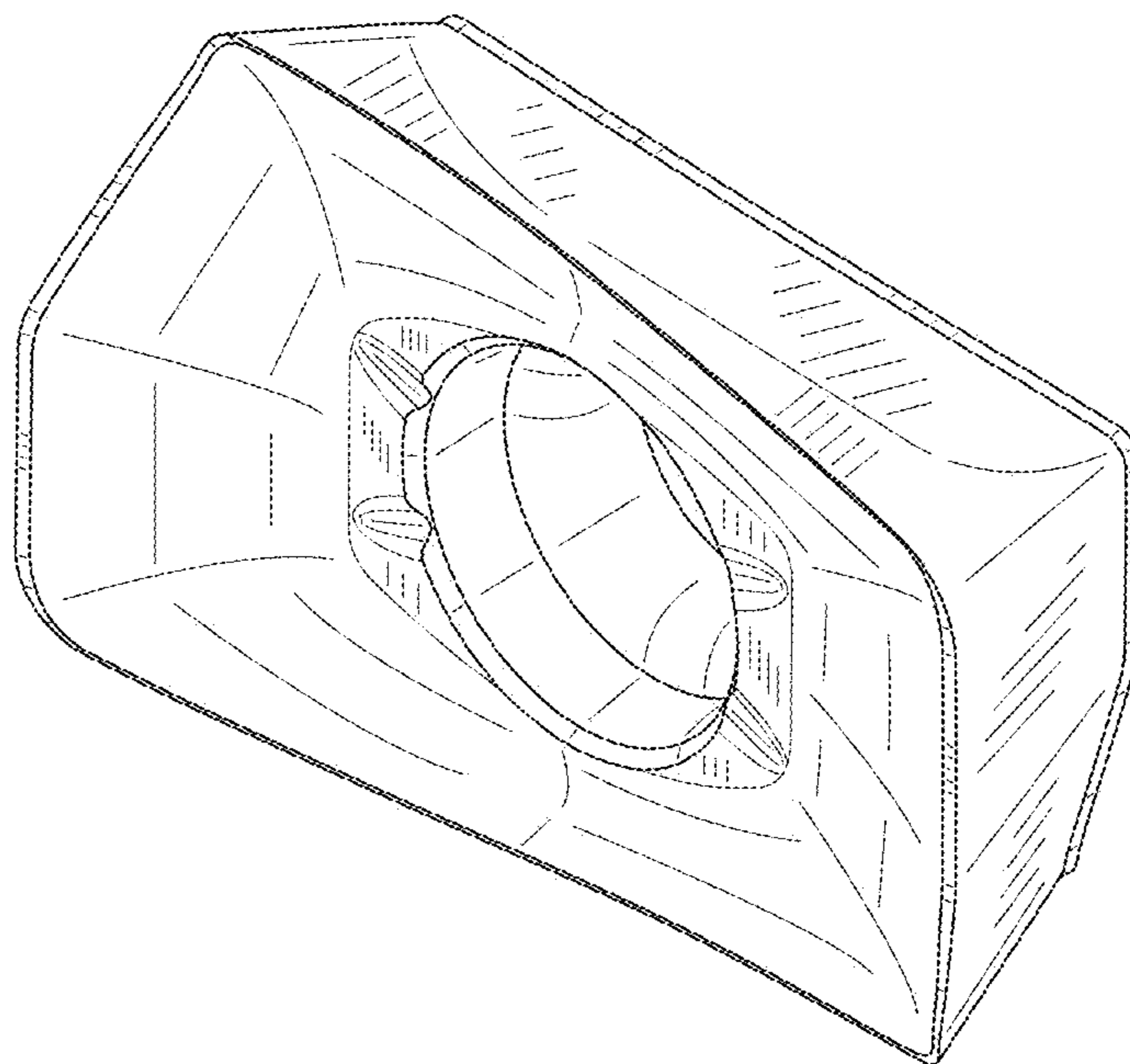


FIG.8

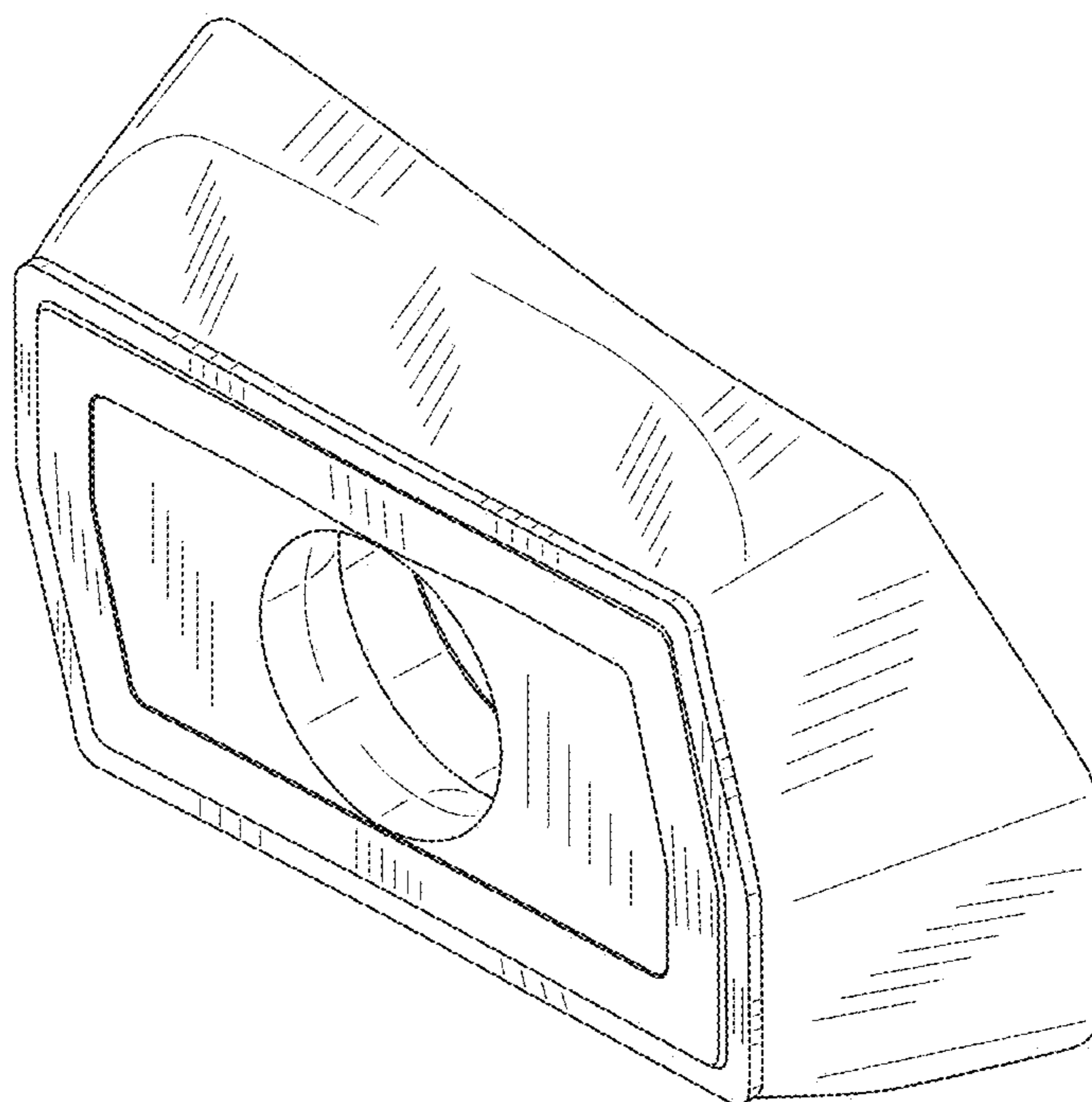


FIG.9

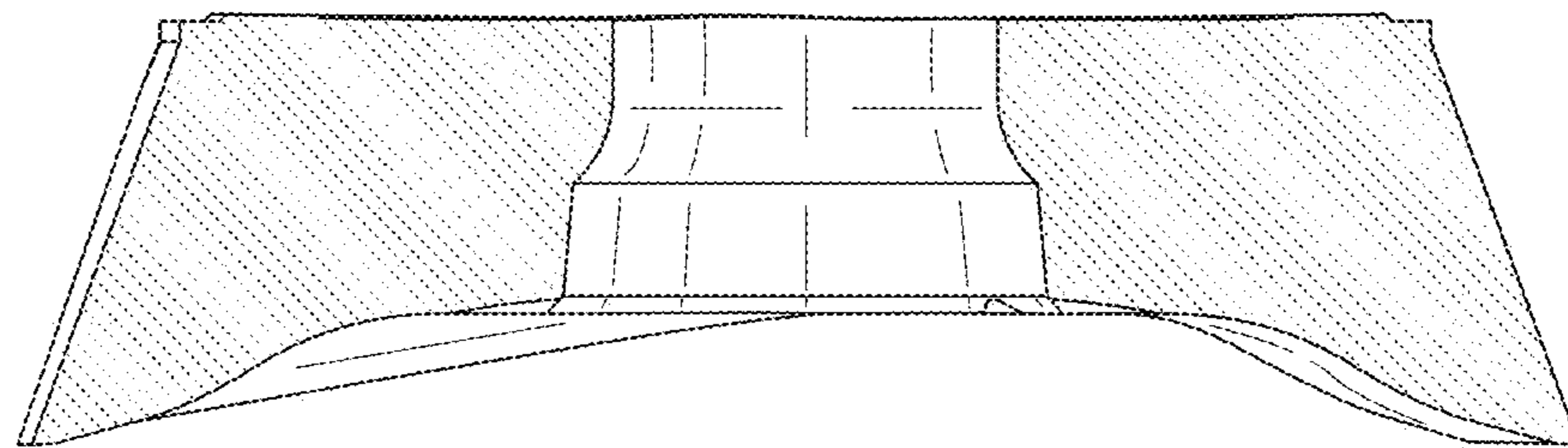


FIG.10

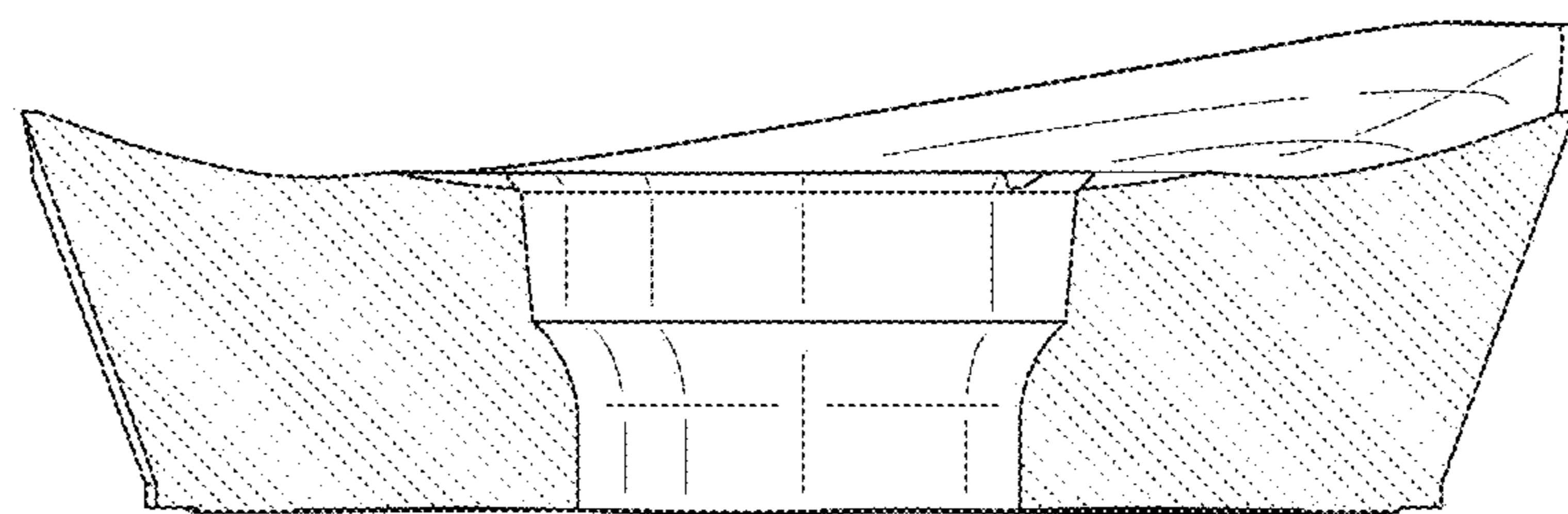


FIG.11

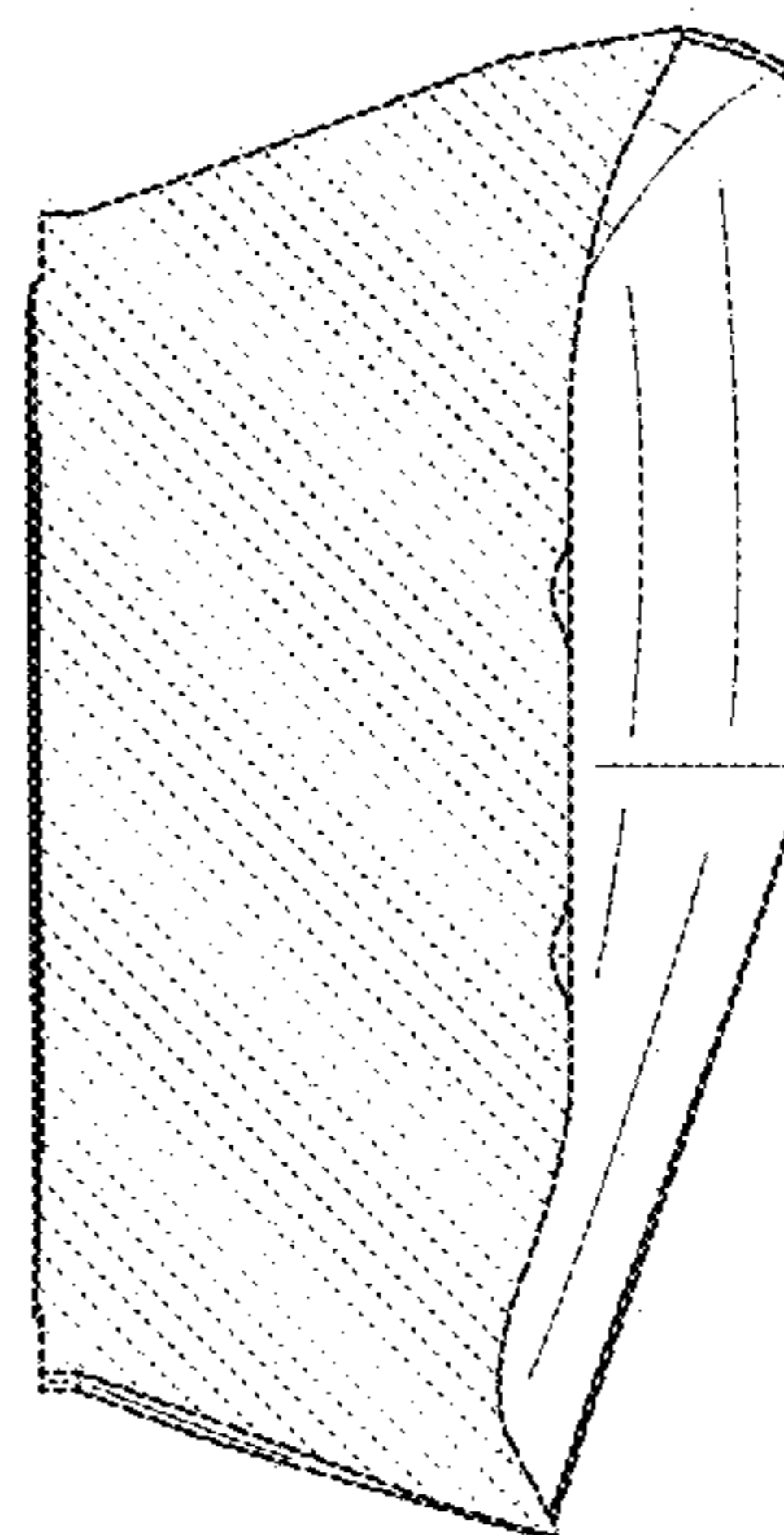


FIG.12

