



US00D892874S

(12) **United States Design Patent** (10) **Patent No.:** **US D892,874 S**
Cho et al. (45) **Date of Patent:** **** Aug. 11, 2020**

(54) **RACK FOR WINE REFRIGERATOR**

(56) **References Cited**

(71) Applicant: **LG ELECTRONICS INC.**, Seoul (KR)
(72) Inventors: **Sunil Cho**, Seoul (KR); **Minsub Kim**, Seoul (KR); **Joosang Kim**, Seoul (KR); **Kyukwan Choi**, Seoul (KR)

U.S. PATENT DOCUMENTS

D475,722 S *	6/2003	Segers	F25D 25/02
				D15/86
D478,601 S *	8/2003	Becke	F25D 25/02
				D15/81
D487,278 S *	3/2004	Segers	F25D 11/00
				D15/86
D512,081 S *	11/2005	Chang	D15/81
D604,340 S *	11/2009	Kim	D15/81
D765,151 S *	8/2016	Park	D15/81
D765,744 S *	9/2016	Park	D15/89
D769,947 S *	10/2016	Lee	D15/89
D770,543 S *	11/2016	Lee	D15/89
D770,544 S *	11/2016	Lee	D15/89
D775,245 S *	12/2016	Seo	D15/81
D776,726 S *	1/2017	Mauffette	D15/81
D783,688 S *	4/2017	Park	D15/89

(73) Assignee: **LG ELECTRONICS INC.**, Seoul (KR)

(**) Term: **15 Years**

(21) Appl. No.: **35/506,602**

(22) Filed: **Jul. 31, 2018**

(80) **Hague Agreement Data**

Int. Filing Date: **Jul. 31, 2018**
Int. Reg. No.: **DM/102452**
Int. Reg. Date: **Jul. 31, 2018**
Int. Reg. Pub. Date: **Feb. 1, 2019**

(Continued)

Primary Examiner — Richard E Chilcot

(74) *Attorney, Agent, or Firm* — Birch, Stewart, Kolasch & Birch, LLP

(51) **LOC (12) Cl.** **15-07**

(52) **U.S. Cl.**
USPC **D15/90**
CPC **F25D 25/025** (2013.01)

(57) **CLAIM**

The ornamental design for a rack for wine refrigerator, as shown and described.

(58) **Field of Classification Search**

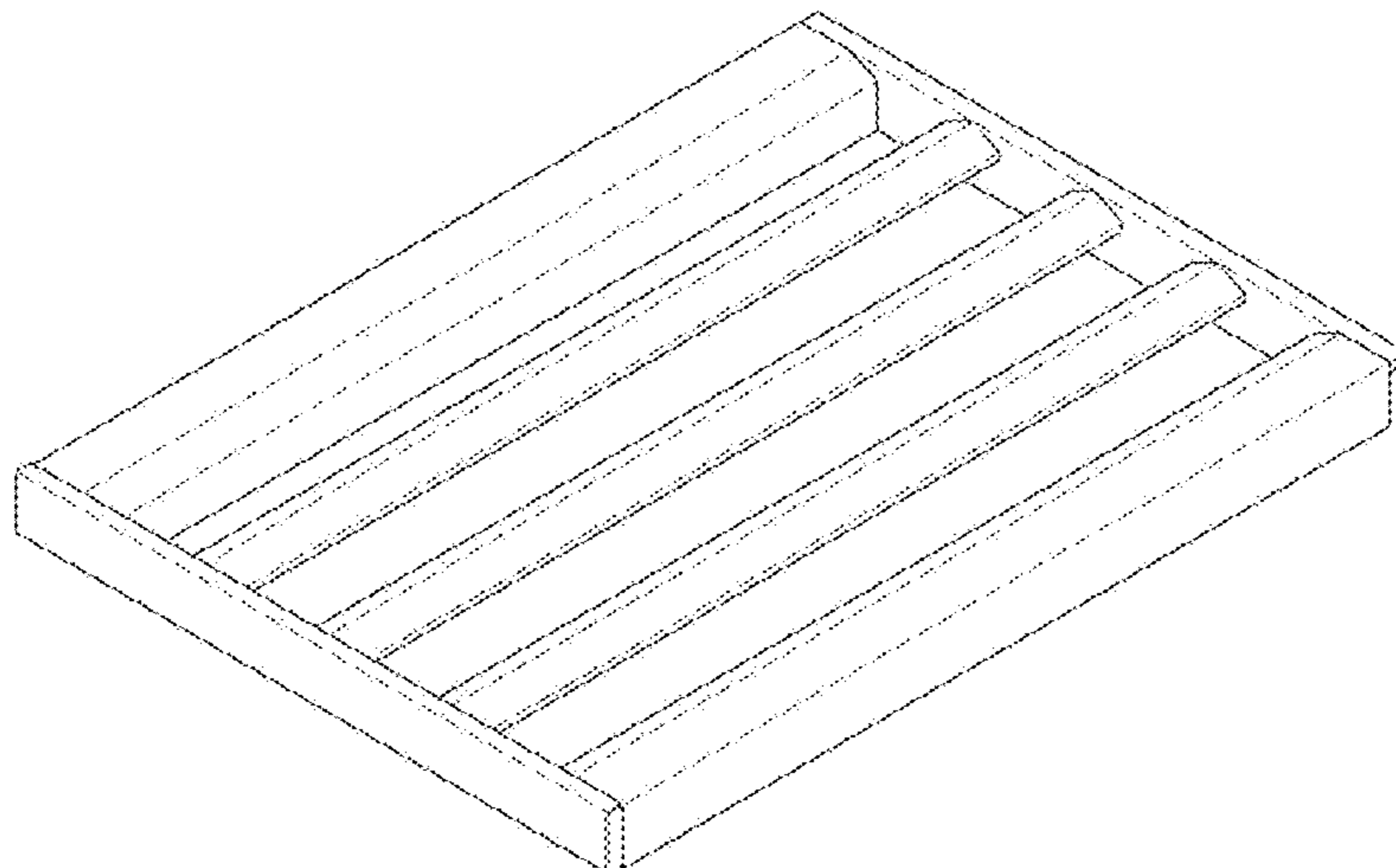
USPC D15/79-91
CPC F25D 25/025; F25D 23/028; F25D 2323/024; F25D 23/00; F25D 23/02; F25D 2323/021; F25D 23/065; F25D 11/00; F25D 2201/14; F25D 23/021; F25D 23/025; F25D 23/04; F25D 27/00; F25D 23/062; F25D 23/067; F25D 2400/18; F25D 23/08; F25D 23/085; F25D 2500/02; F25D 25/00; F25D 25/005; F25D 25/022; F25D 25/024; F25D 17/047; F25D 2317/041; F25D 2317/04131; F25D 2317/043; F25D 2317/0664; F25D 2321/147; F25D 2323/02; F25D 2323/023

DESCRIPTION

- 1. Rack for wine refrigerator
 - 1.1 : Perspective
 - 1.2 : Front
 - 1.3 : Back
 - 1.4 : Left, the right view being a mirror image thereof
 - 1.5 : Top
 - 1.6 : Bottom
 - 1.7 : Bottom perspective view
 - 1.8 : Perspective view in which the claimed design is installed on a wine refrigerator
- The portions of reproduction 1.8 in broken lines show environmental structure only and form no part of the

See application file for complete search history.

(Continued)



claimed design; this design is for a rack for wine refrigerator made of wood, synthetic resin and metal.

1 Claim, 8 Drawing Sheets

(56)

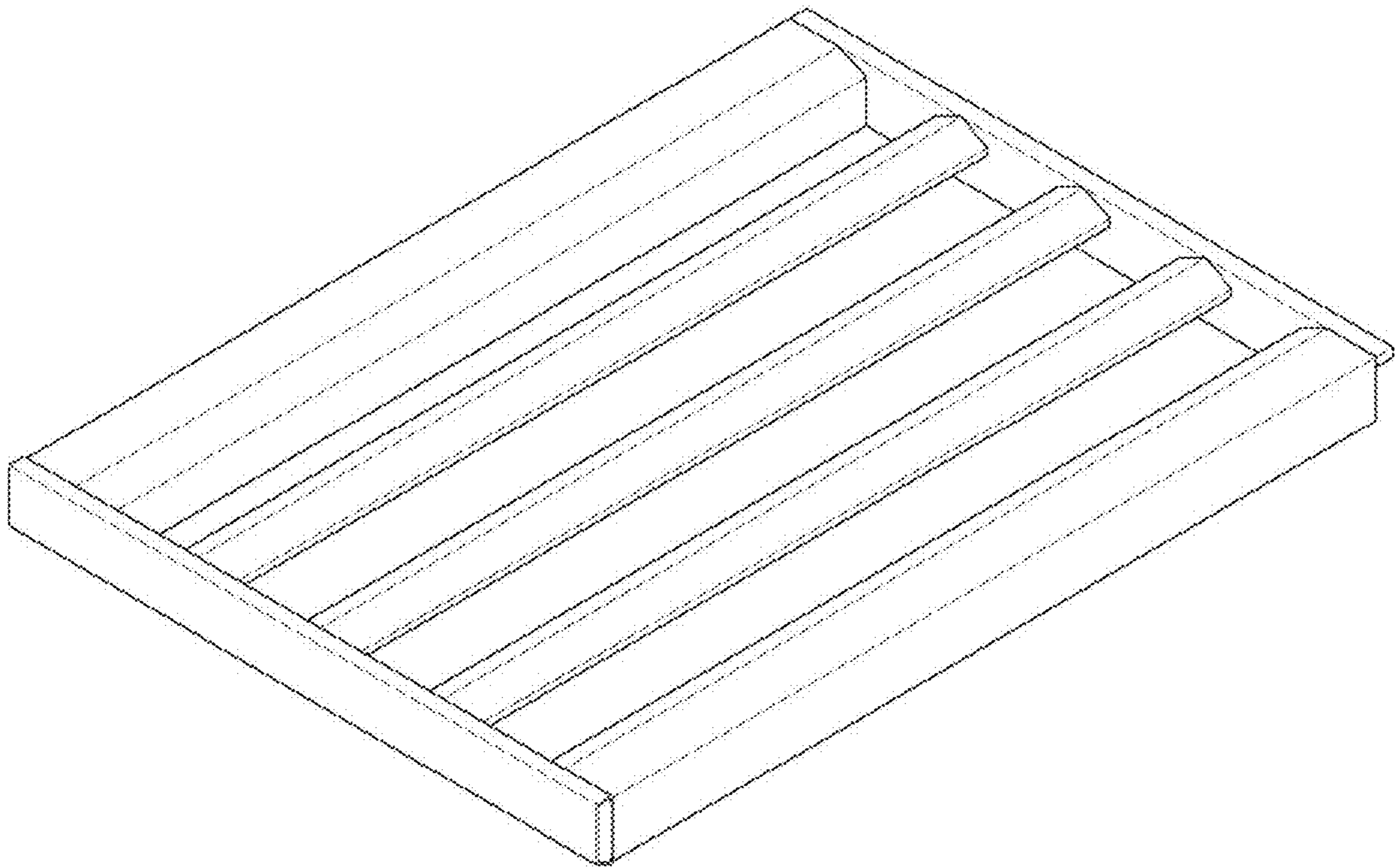
References Cited

U.S. PATENT DOCUMENTS

D794,684 S * 8/2017 Mauffette D15/81

* cited by examiner

1.1



1.2



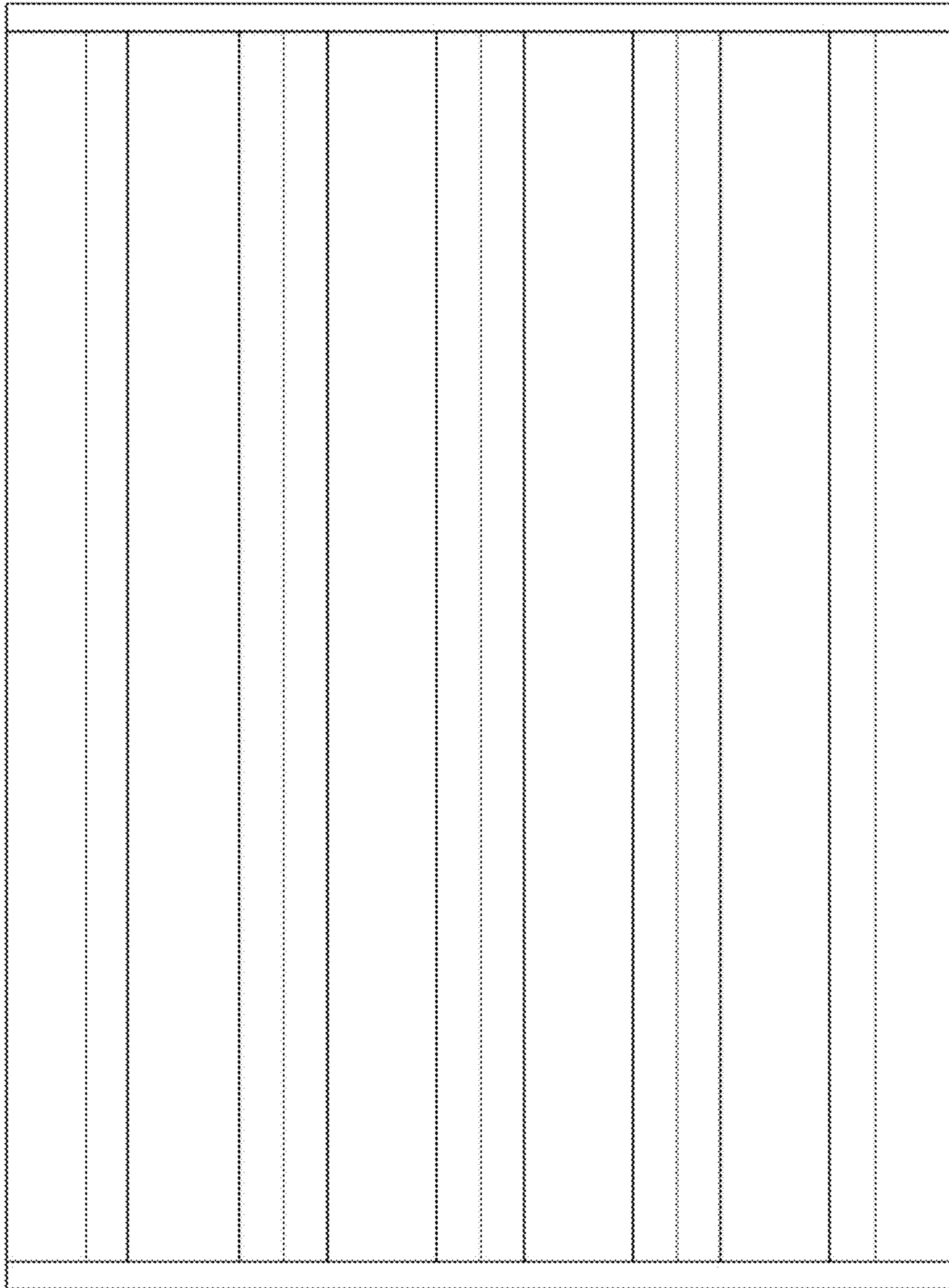
1.3



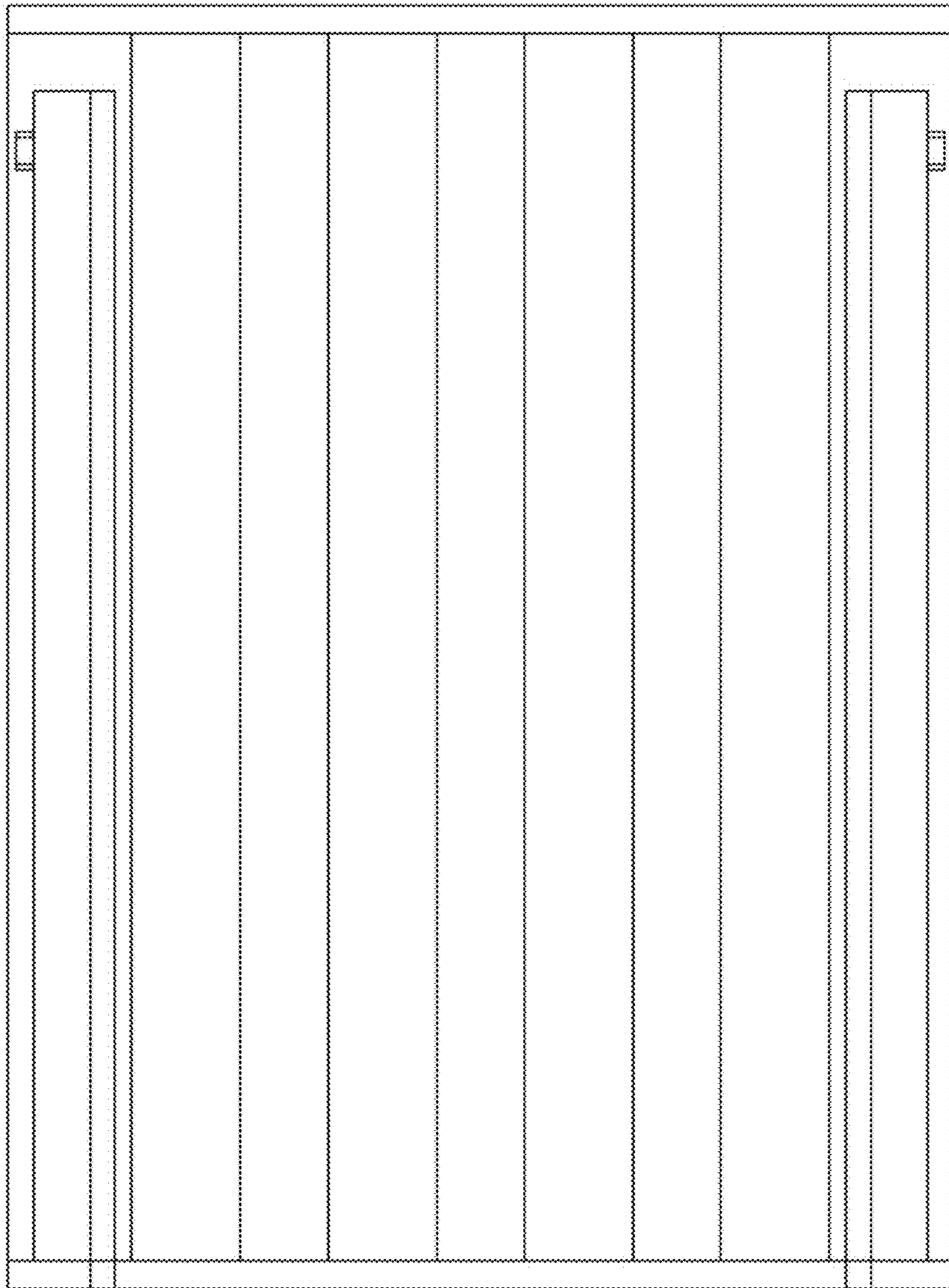
1.4



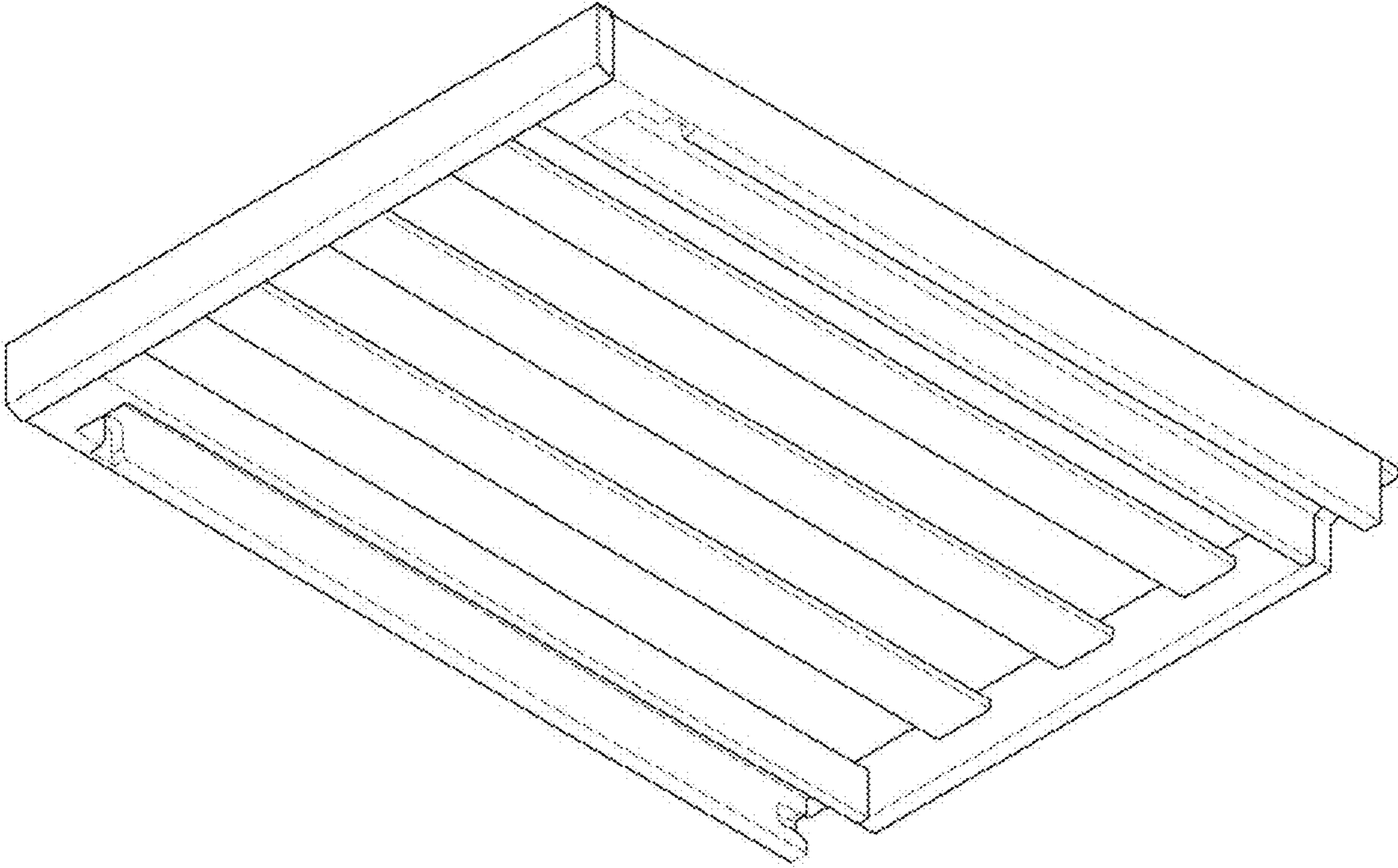
1.5



1.6



1.7



1.8

